

[54] ADJUSTABLE TABLE

4,154,173 5/1979 Chesnut 108/6

[75] Inventor: Adrianus J. M. Scheffers, Vught, Netherlands

[73] Assignee: Assenburg B.V., Tilburg, Netherlands

[**] Term: 14 Years

[21] Appl. No.: 16,233

[22] Filed: Feb. 19, 1987

[52] U.S. Cl. D6/429; D6/420; D6/484

[58] Field of Search D6/396, 420, 429, 449, D6/480, 484, 484, 487; 108/6

[56] References Cited

U.S. PATENT DOCUMENTS

- D. 104,390 5/1937 Bond, Jr. D6/487
- D. 203,275 12/1965 Faux et al. D6/420
- D. 286,831 11/1986 Matyear D6/419
- D. 293,397 12/1987 Hunt D6/429
- D. 299,798 2/1989 Sottsas et al. D6/484

OTHER PUBLICATIONS

GSA/Furniture-Krueger Catalog, Data Board 920 brochure, p. 5, C-44 Box in Design Library.

Primary Examiner—Bruce W. Dunkins
Assistant Examiner—Janice Seegar
Attorney, Agent, or Firm—Ladas & Parry

[57] CLAIM

The ornamental design for an adjustable table, as shown and described.

DESCRIPTION

FIG. 1 is a front elevational view of an adjustable table, showing my new design;
FIG. 2 is a side elevational view, the opposite side being a mirror image thereof; and
FIG. 3 is a top plan view thereof;
FIG. 4 is a cross-sectional view taken along lines 4—4 of FIG. 1 wherein a portion of the leg member has been omitted for purpose of illustration.
FIG 5 is a perspective view thereof on a reduced scale.

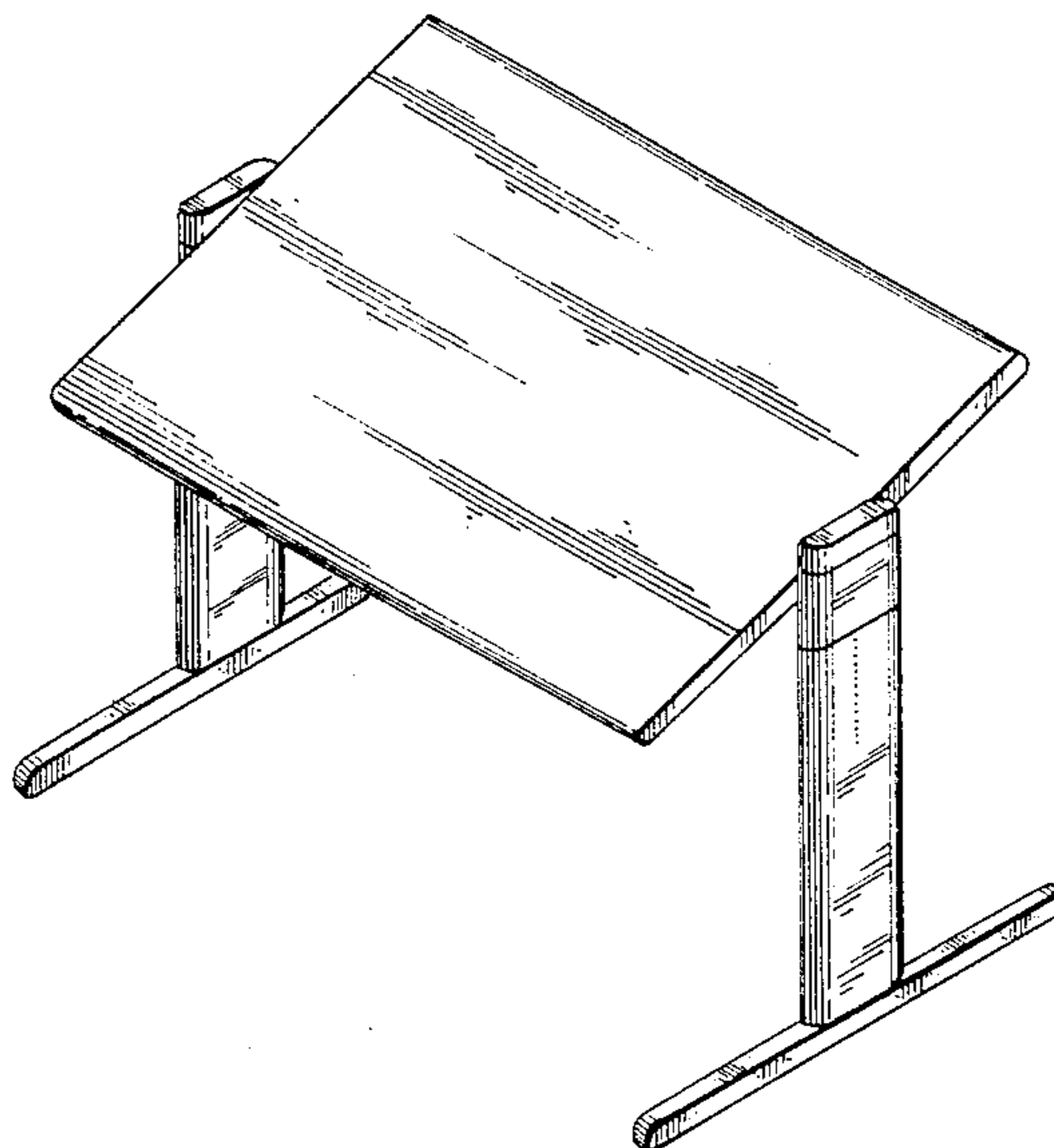


FIG. 1

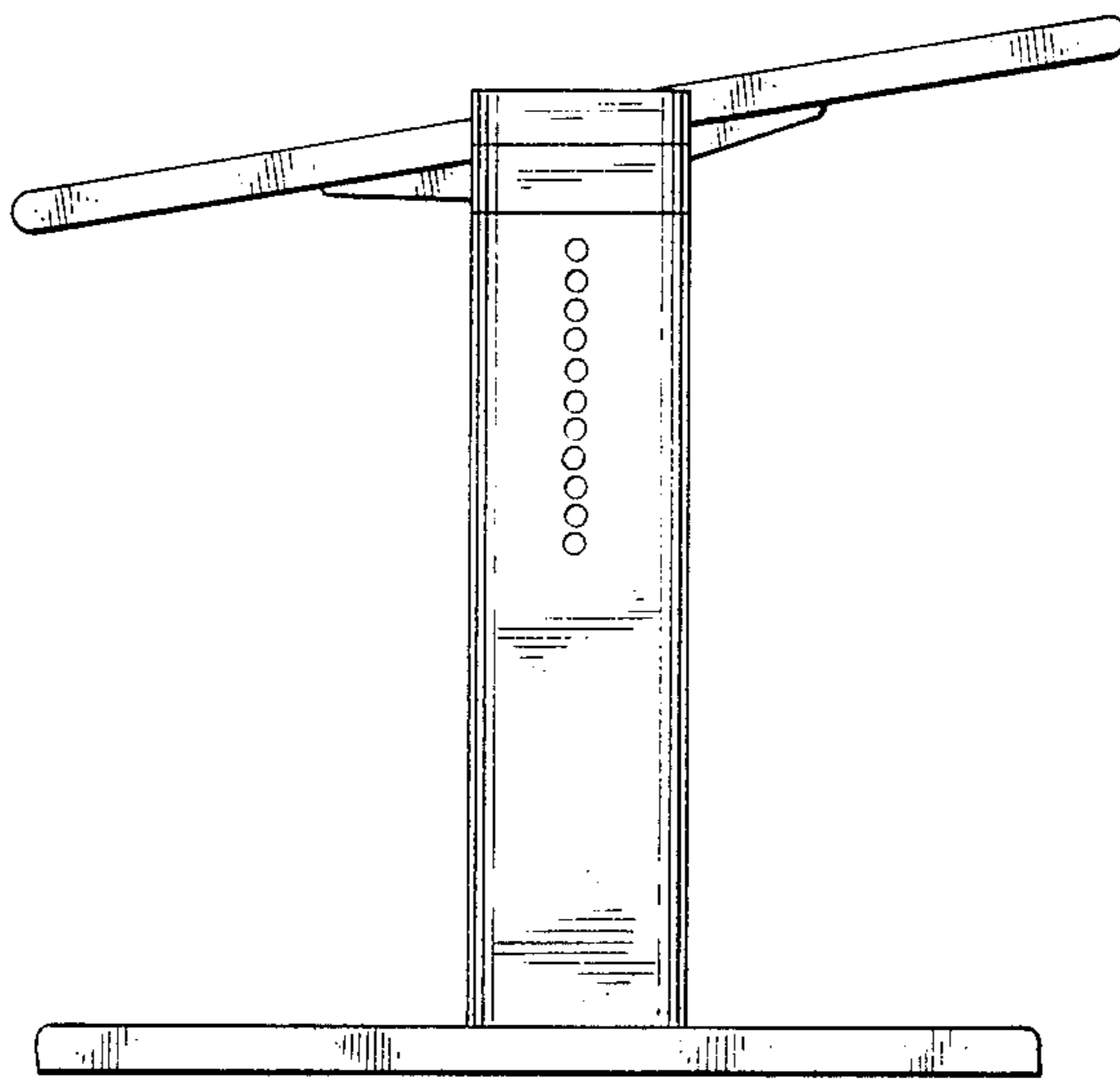
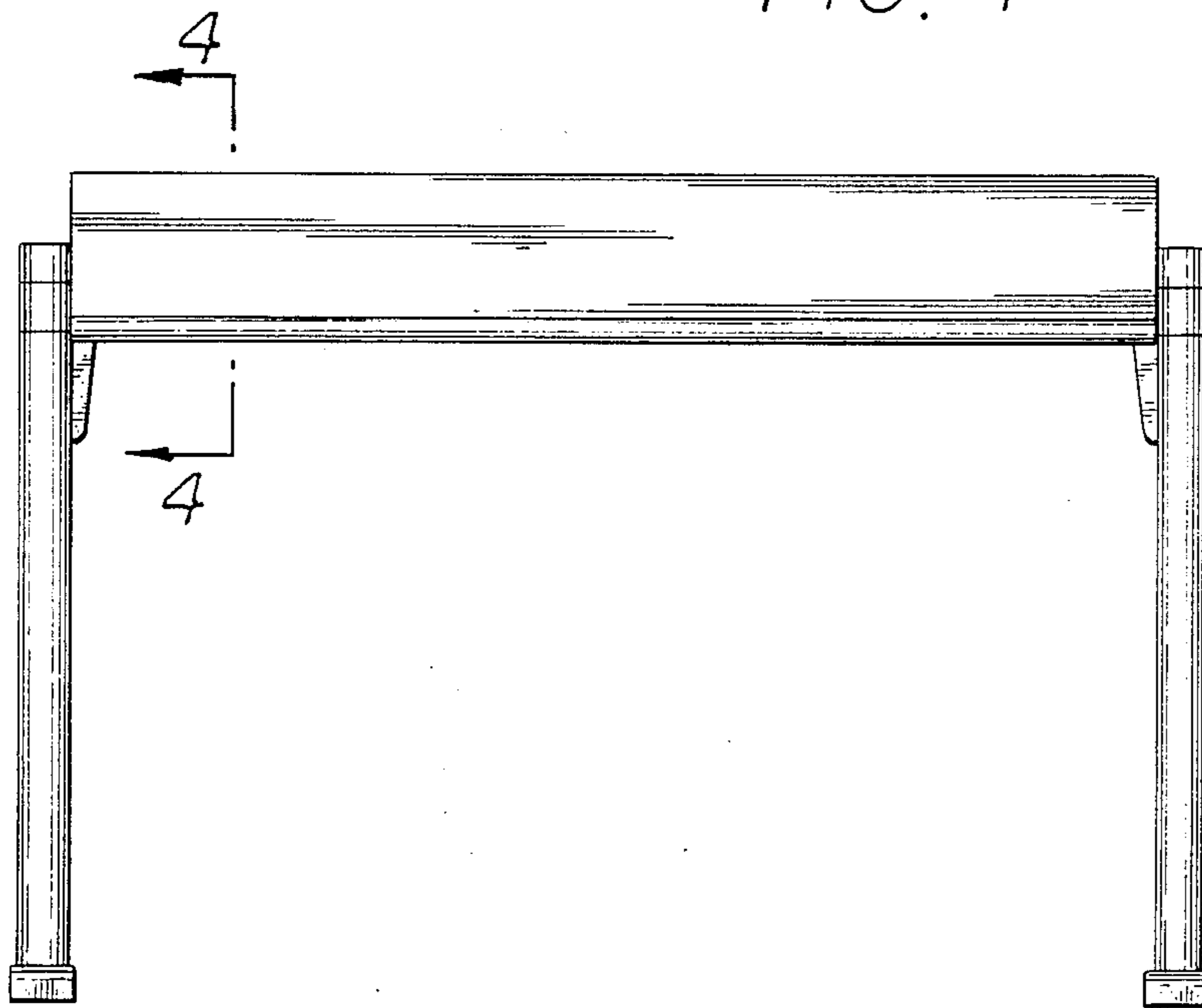


FIG. 2

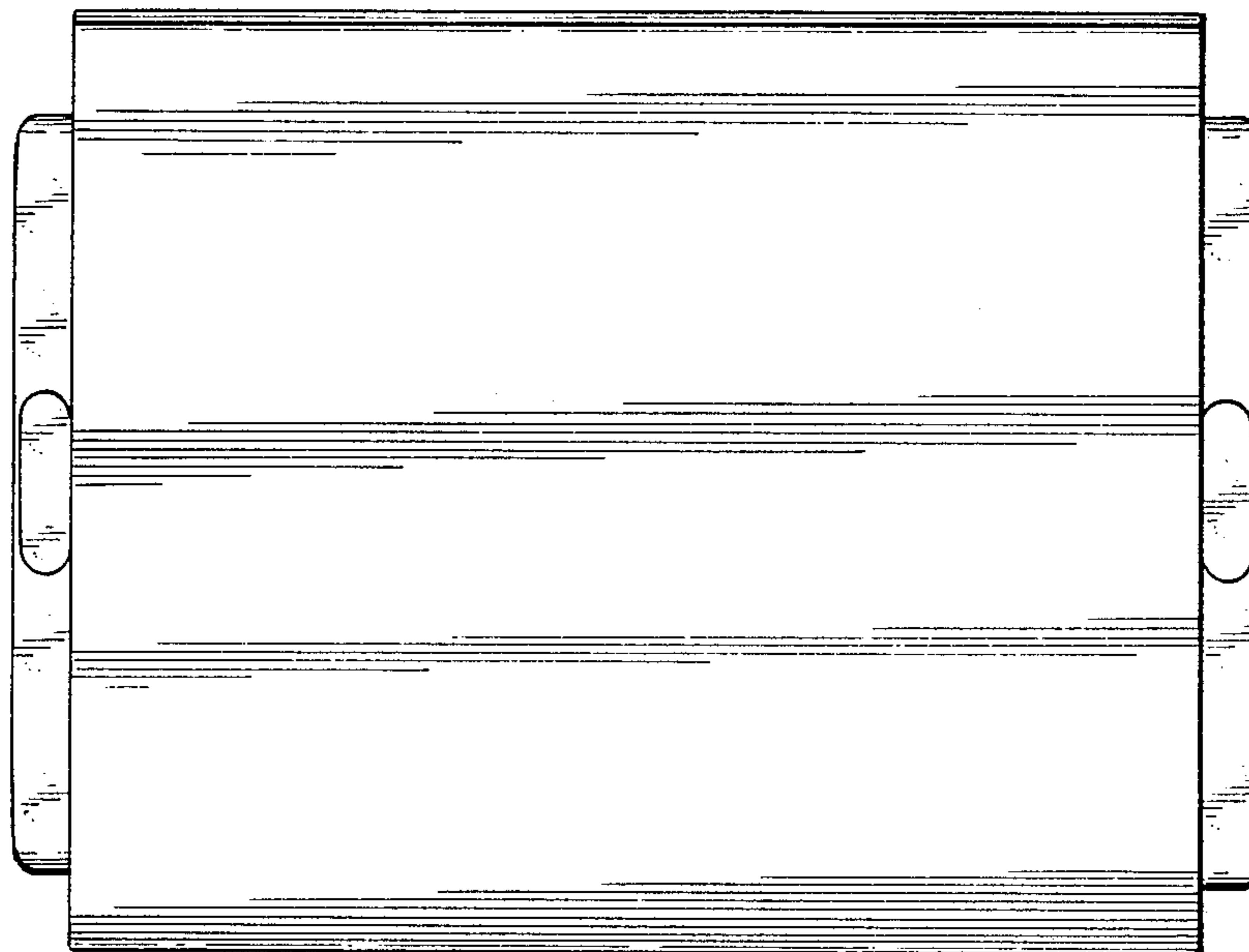


FIG. 3

FIG. 4

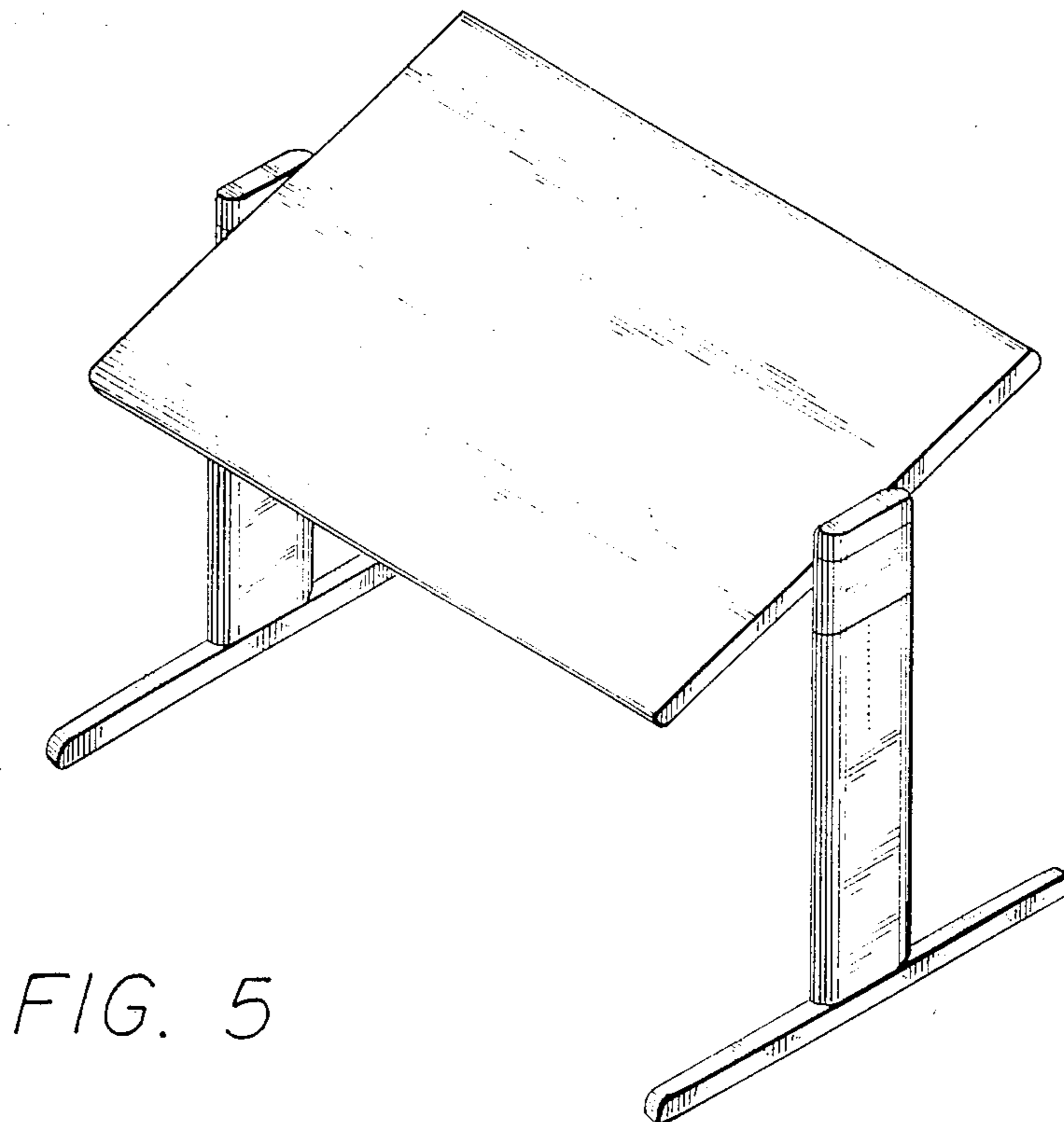
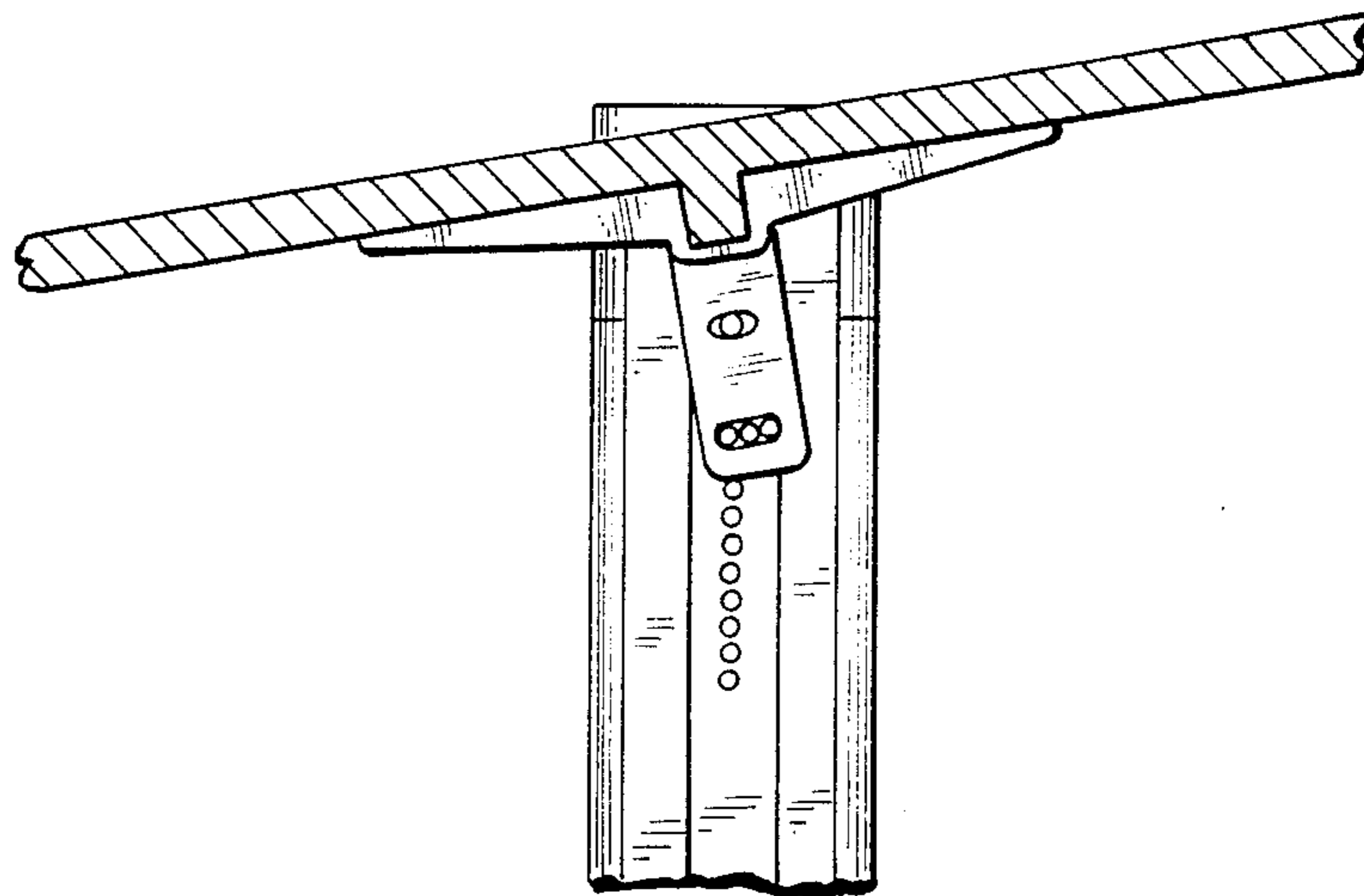


FIG. 5