

[54] LIFT TRUCK

[75] Inventors: Kurt K. Larsen; Pete Santiago, both of Pell City, Ala.

[73] Assignee: Blue Giant Equipment Corporation, Pell City, Ala.

[**] Term: 14 Years

[21] Appl. No.: 197,812

[22] Filed: May 23, 1988

[52] U.S. Cl. D34/34

[58] Field of Search D34/34, 28; 414/607, 414/785; 180/89.14, 89.17, 89.18, 89.12; 280/5.3

[56] References Cited

U.S. PATENT DOCUMENTS

D. 176,503	1/1956	Brown	D34/34
2,675,139	4/1954	Mercier et al.	414/607
3,264,026	8/1966	Hansen	414/607

3,477,600	11/1969	Sawyer	414/607
4,102,464	7/1978	Schuster	414/607
4,615,656	10/1986	Geraghty, Jr.	414/607

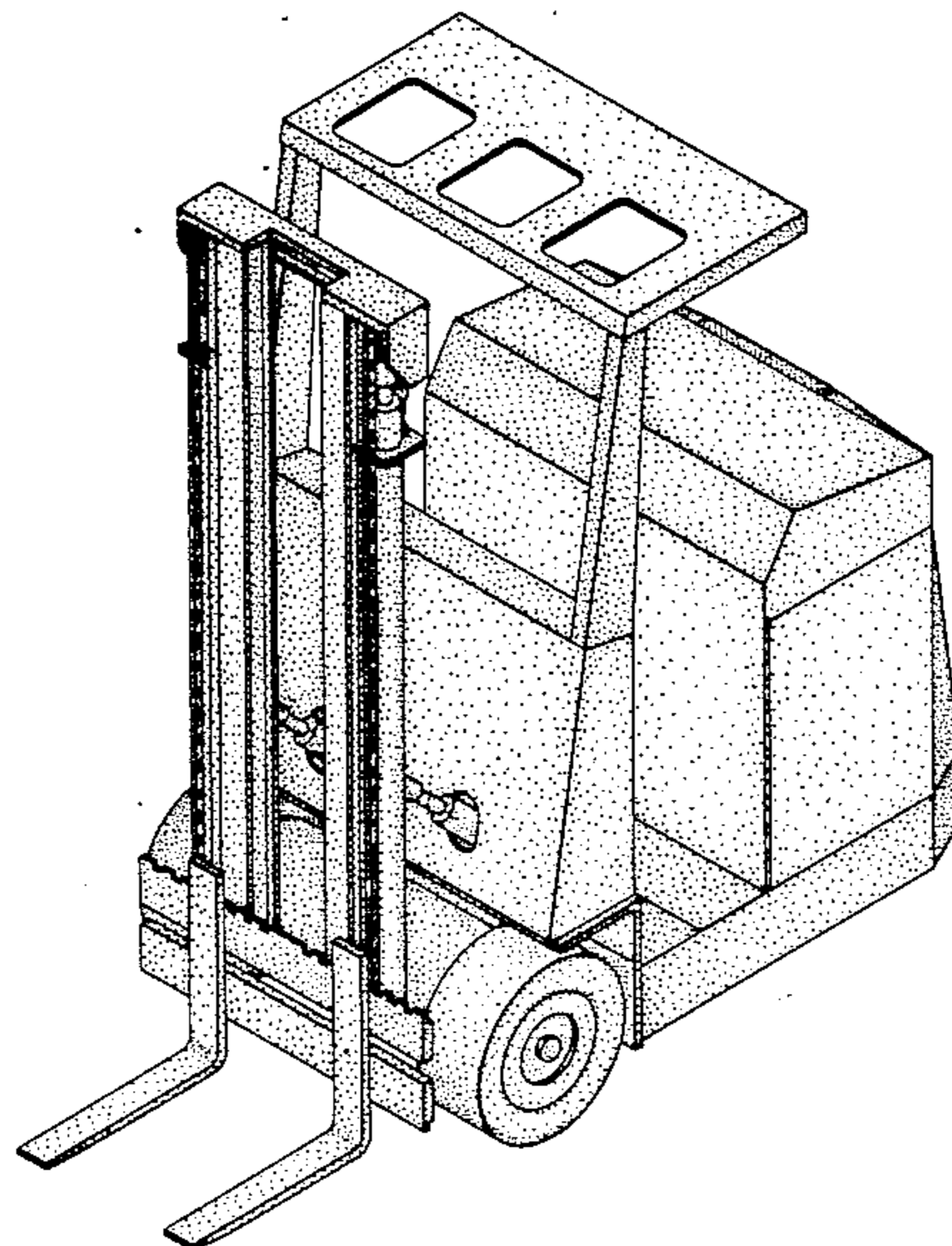
Primary Examiner—Kay H. Chin
Attorney, Agent, or Firm—Jennings, Carter, Thompson & Veal

[57] CLAIM

The ornamental design for a lift truck, as shown and described.

DESCRIPTION

FIG. 1 is a front perspective view of a lift truck showing our new design;
FIG. 2 is a rear perspective view thereof;
FIG. 3 is a left side elevational view thereof, the right side elevational view being a mirror image of that shown;
FIG. 4 is a front elevational view thereof;
FIG. 5 is a rear elevational view thereof; and
FIG. 6 is a top plan view thereof.



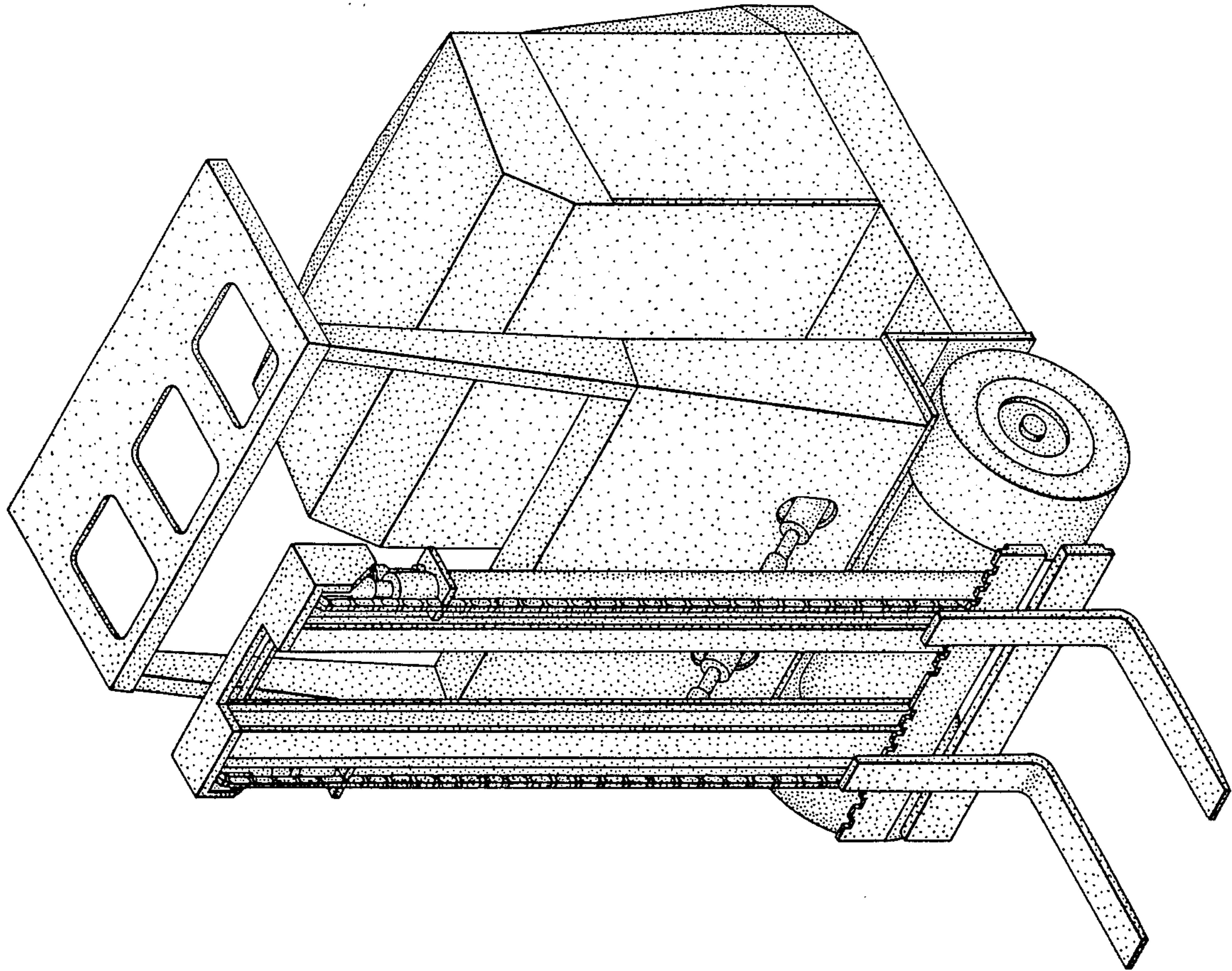


FIG. 1

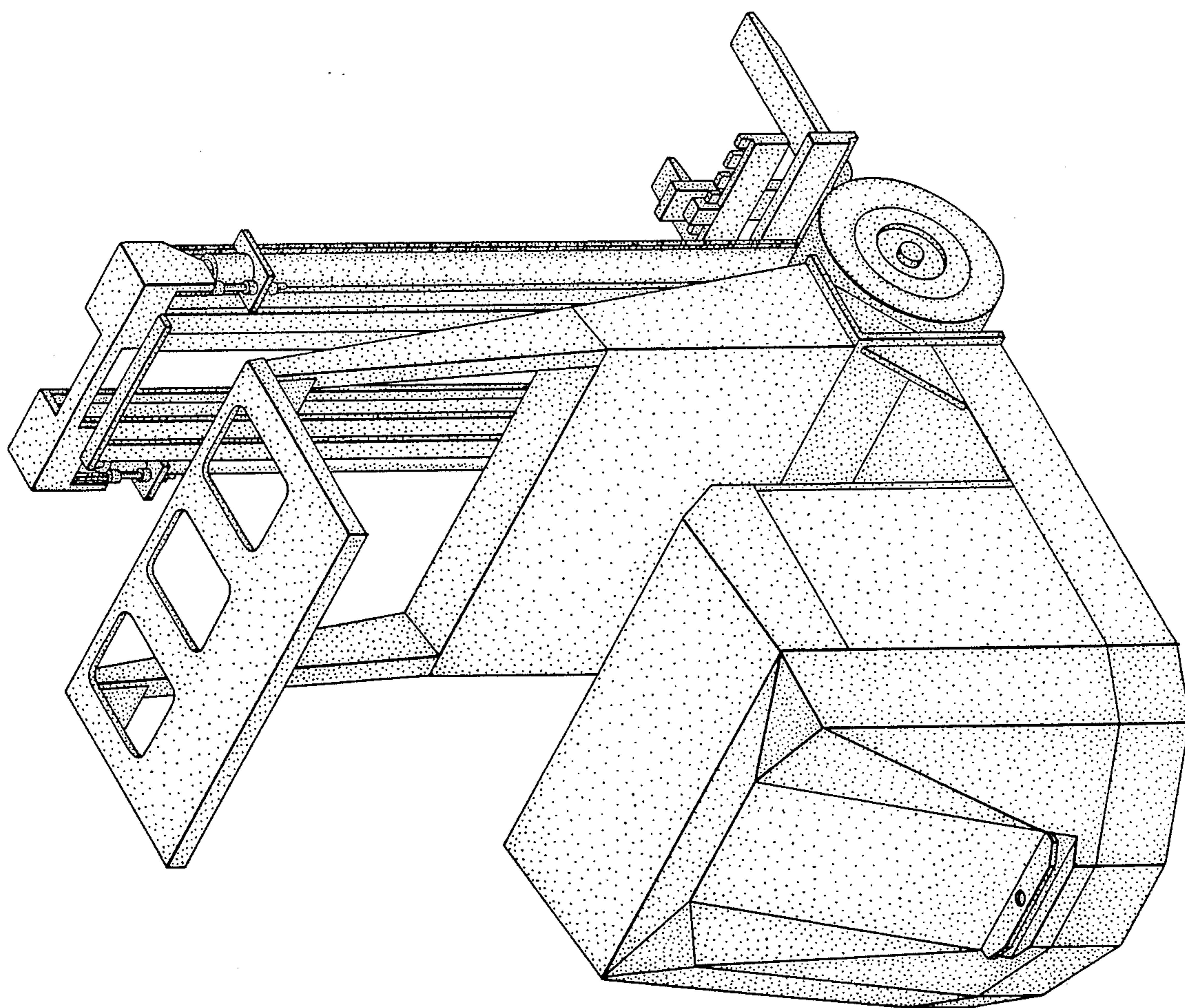
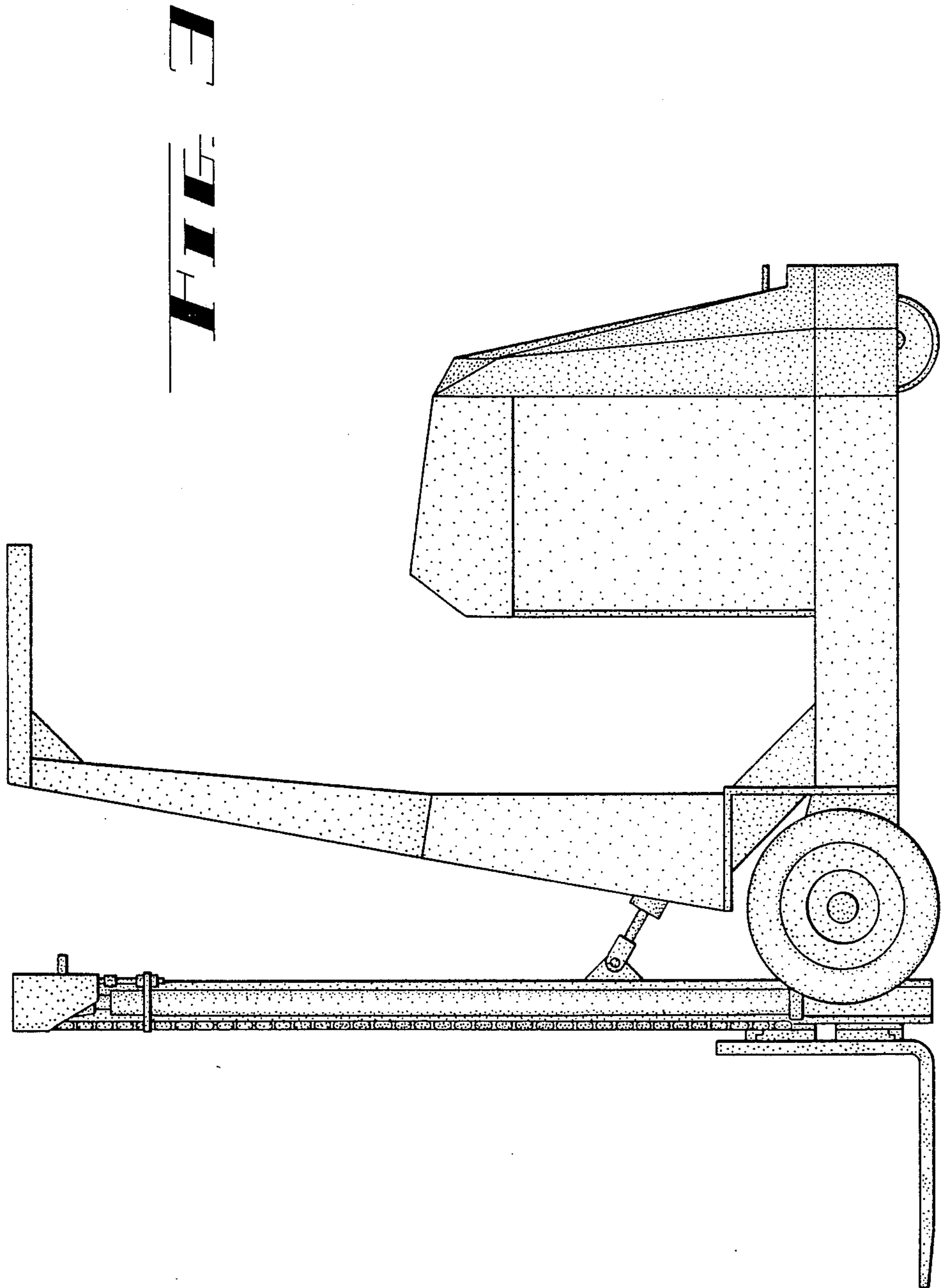


FIG. 2



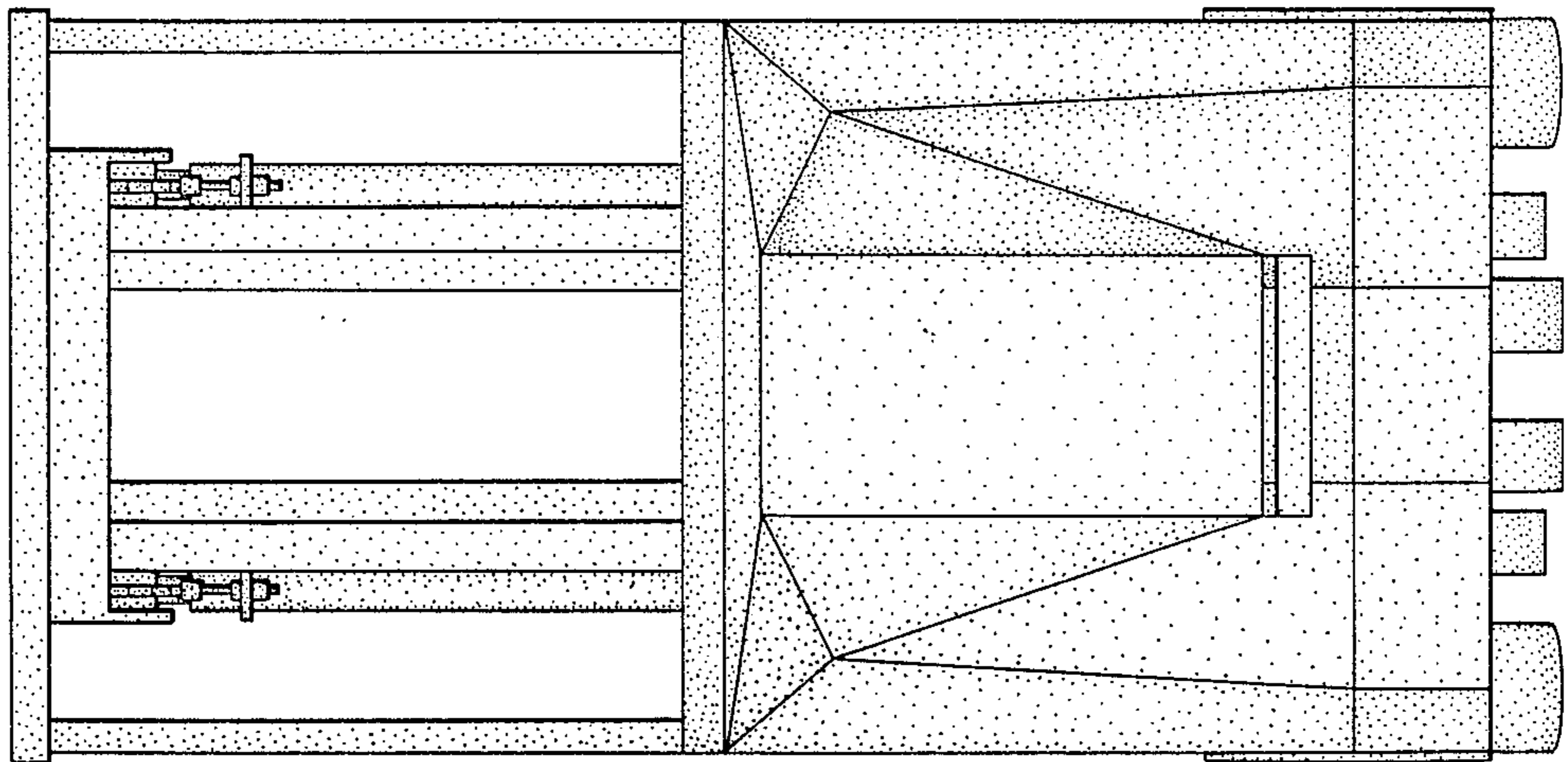


FIG. 5

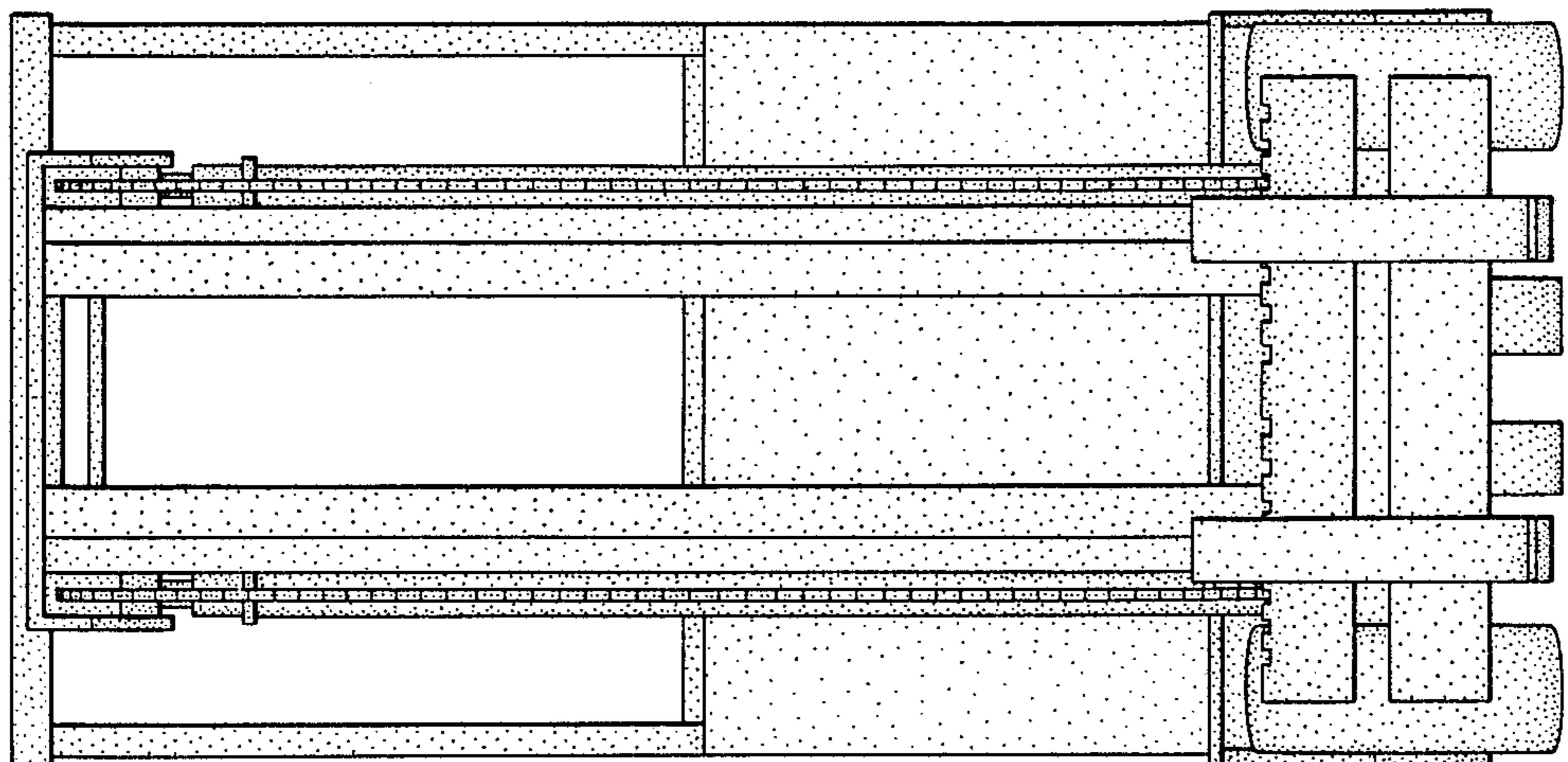


FIG. 6

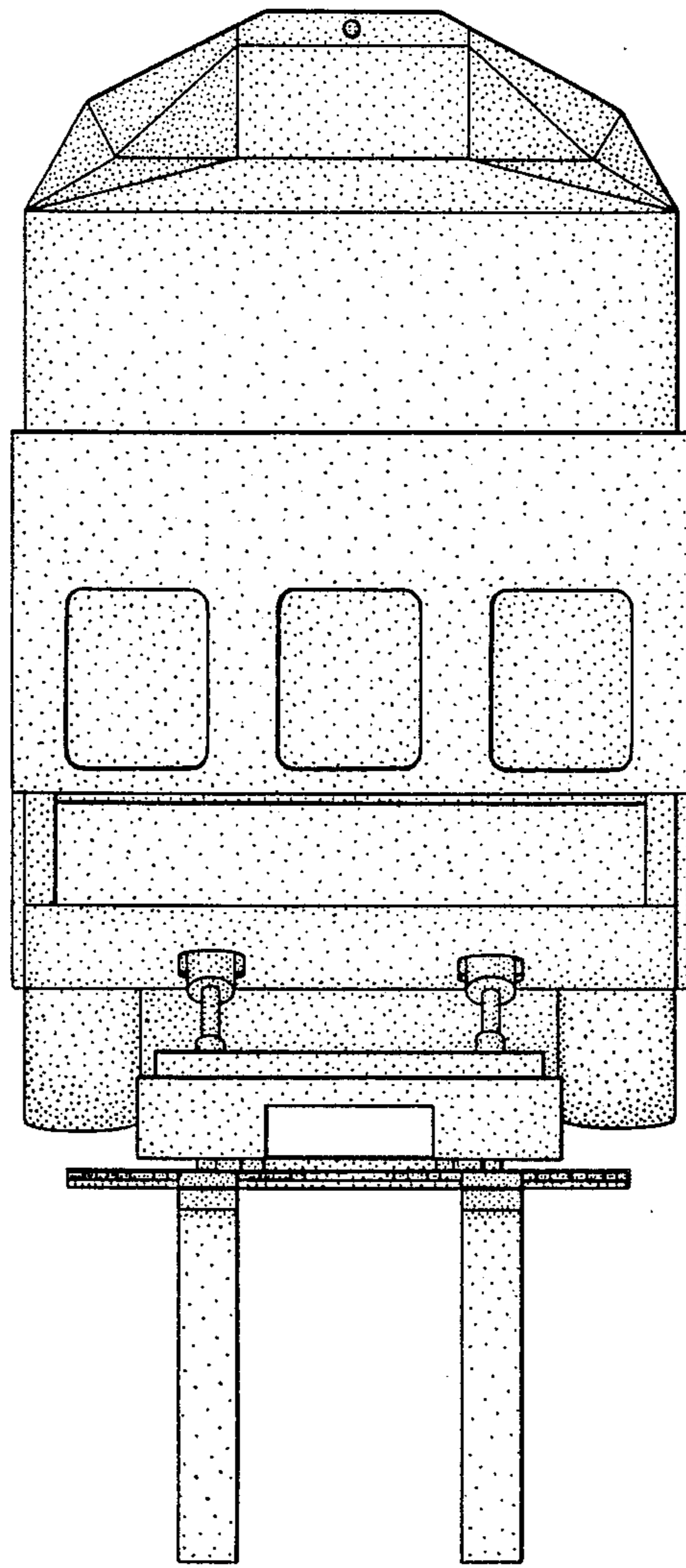


FIG. 6