

[54] PORTABLE POCKET TOBACCO SPITTOON

[76] Inventor: Charles H. Muchmore, P.O. Box
17245, St. Bernard, Ohio 45217

[**] Term: 14 Years

[21] Appl. No.: 266,999

[22] Filed: Nov. 4, 1988

[52] U.S. Cl. D34/2

[58] Field of Search D34/2; D27/194; D9/367;
4/259, 267, 271, 274

[56] References Cited

U.S. PATENT DOCUMENTS

D. 303,213 9/1989 Mansan D9/367
4,162,547 7/1979 Jenkins 4/259

FOREIGN PATENT DOCUMENTS

0019216 10/1904 Austria 4/259
0342228 10/1921 Fed. Rep. of Germany 4/259
0134216 9/1929 Switzerland 4/259

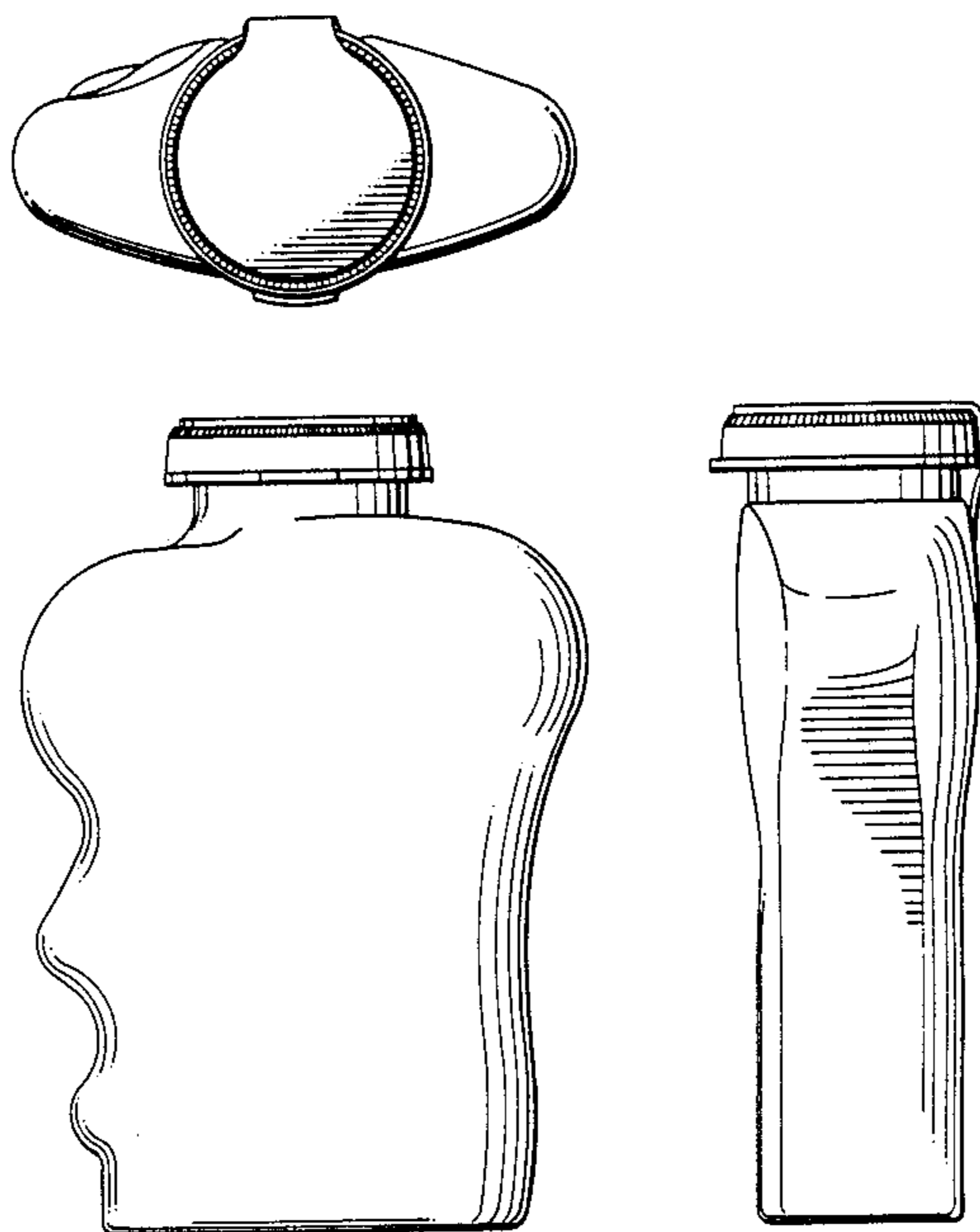
Primary Examiner—Susan J. Lucas
Assistant Examiner—Joel Sincavage
Attorney, Agent, or Firm—Roy F. Schaeperklaus

[57] CLAIM

The ornamental design for a portable pocket tobacco spittoon, as shown and described.

DESCRIPTION

FIG. 1 is a front elevational view of a portable pocket tobacco spittoon with the cap thereof closed and showing my new design;
FIG. 2 is a left side elevational view thereof;
FIG. 3 is a top plan view thereof;
FIG. 4 is a right side elevational view thereof;
FIG. 5 is a bottom plan view thereof;
FIG. 6 is a rear elevational view thereof;
FIG. 7 is a front elevational fragment view thereof with the cap in an open position, the lower portion of the spittoon being omitted for convenience of illustration;
FIG. 8 is a left side elevational fragment view thereof with the cap in an open position, the lower portion of the spittoon being omitted for convenience of illustration;
FIG. 9 is a top plan view thereof, with the cap thereof in an open position;
FIG. 10 is a right side elevational fragment view thereof with the cap in an open position, the lower portion of the spittoon being omitted for convenience of illustration;
FIG. 11 is a bottom plan view thereof, with the cap thereof in an open position; and
FIG. 12 is a rear elevational fragment view thereof with the cap in an open position, the lower portion of the spittoon being omitted for convenience of illustration.



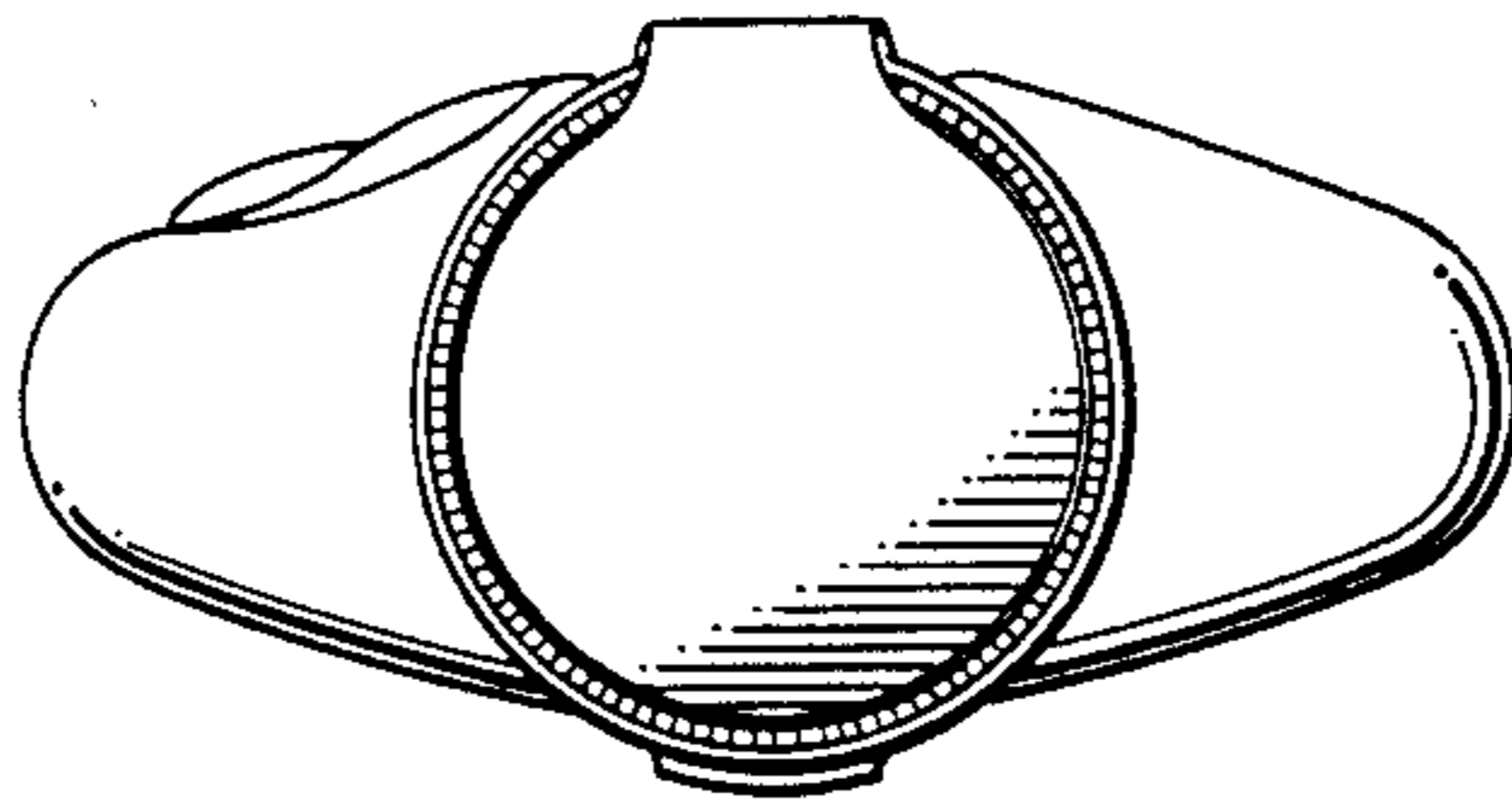


FIG. 3

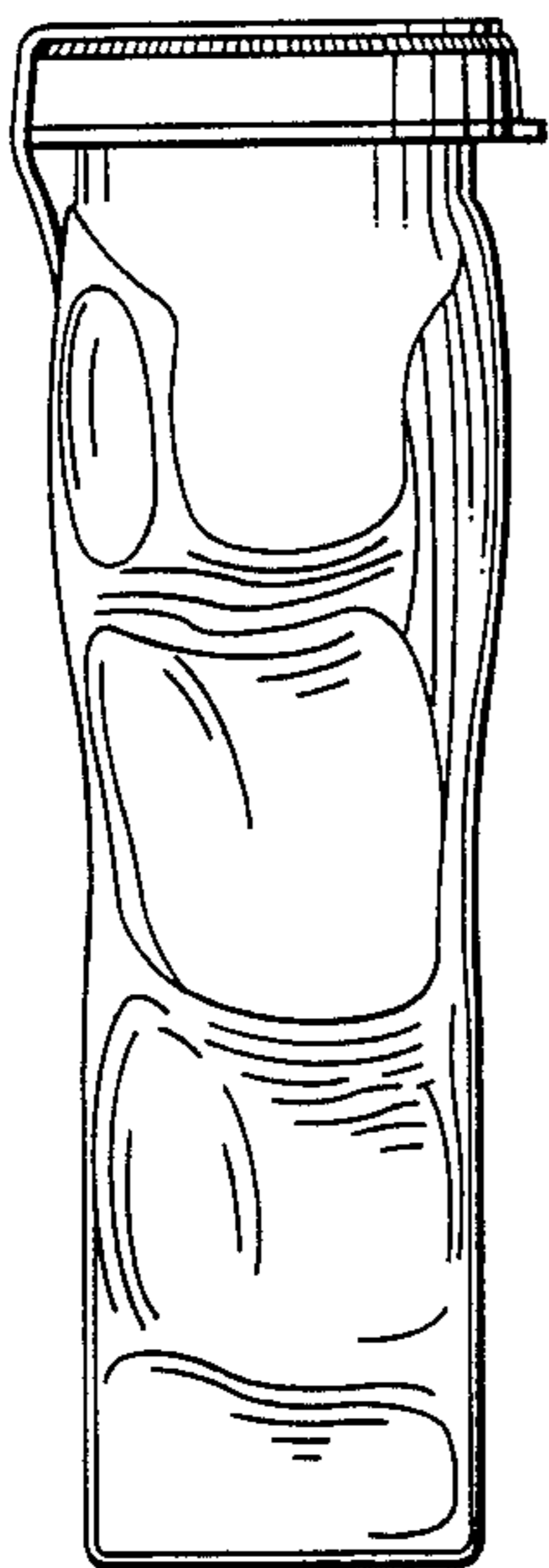


FIG. 2

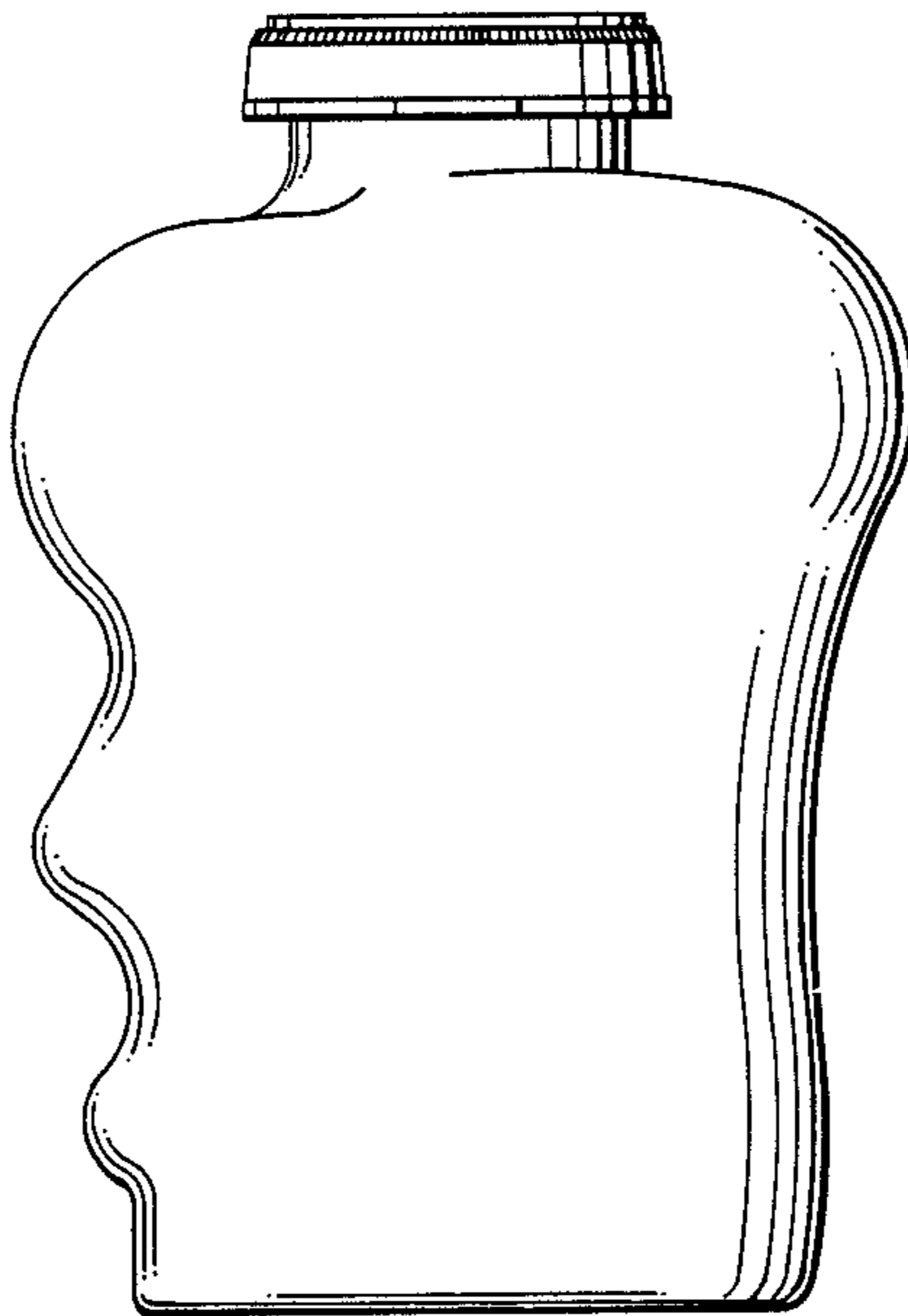


FIG. 1

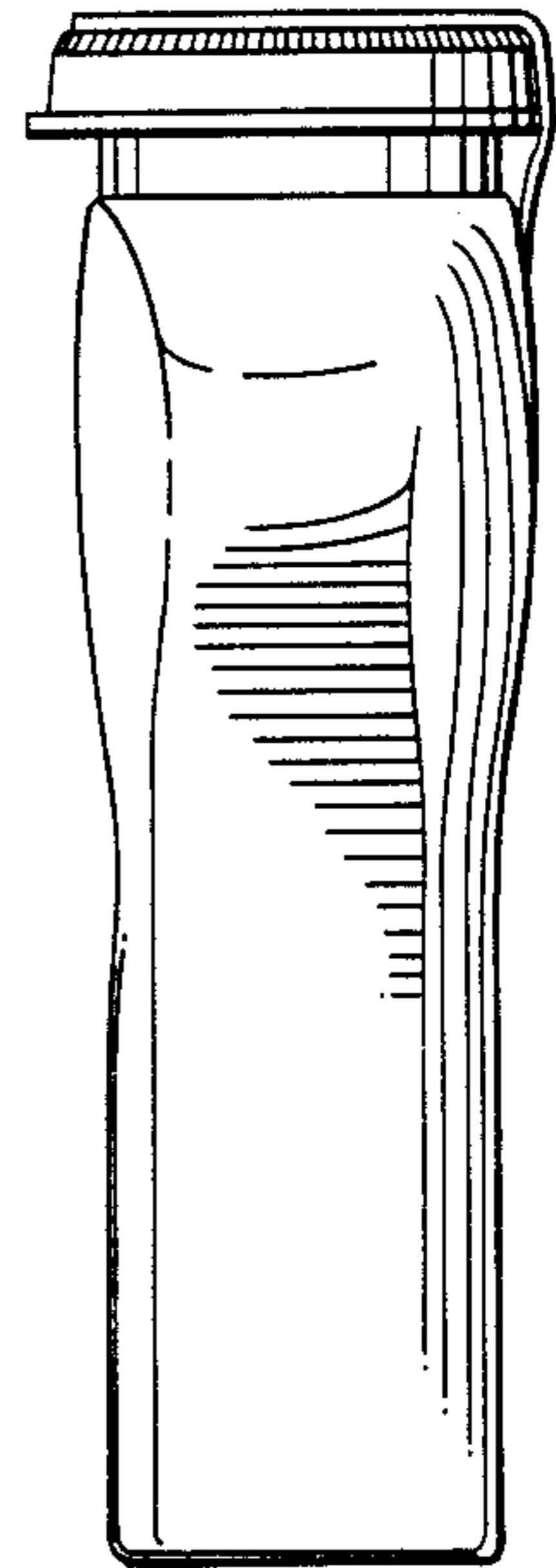


FIG. 4

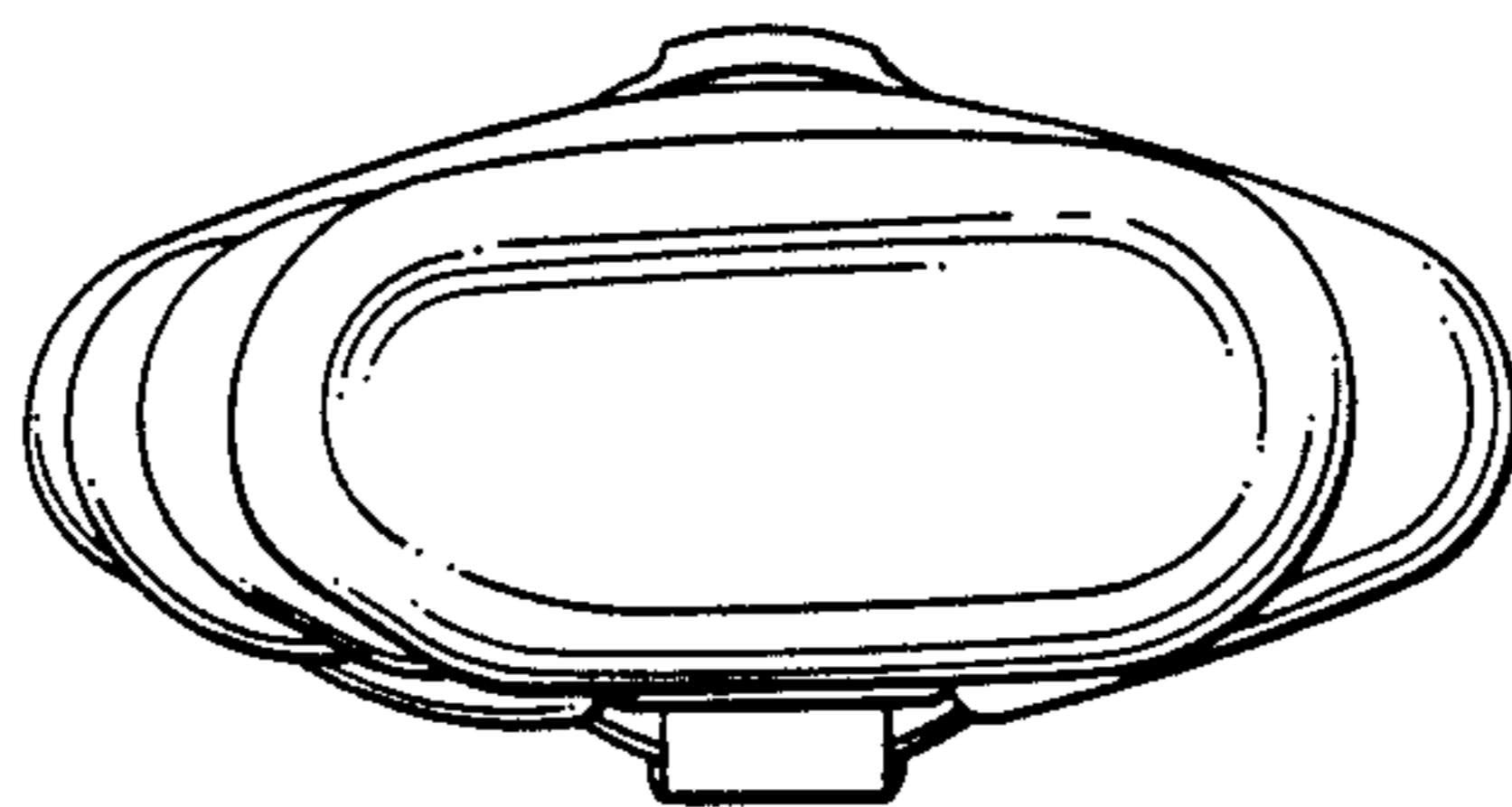


FIG. 5

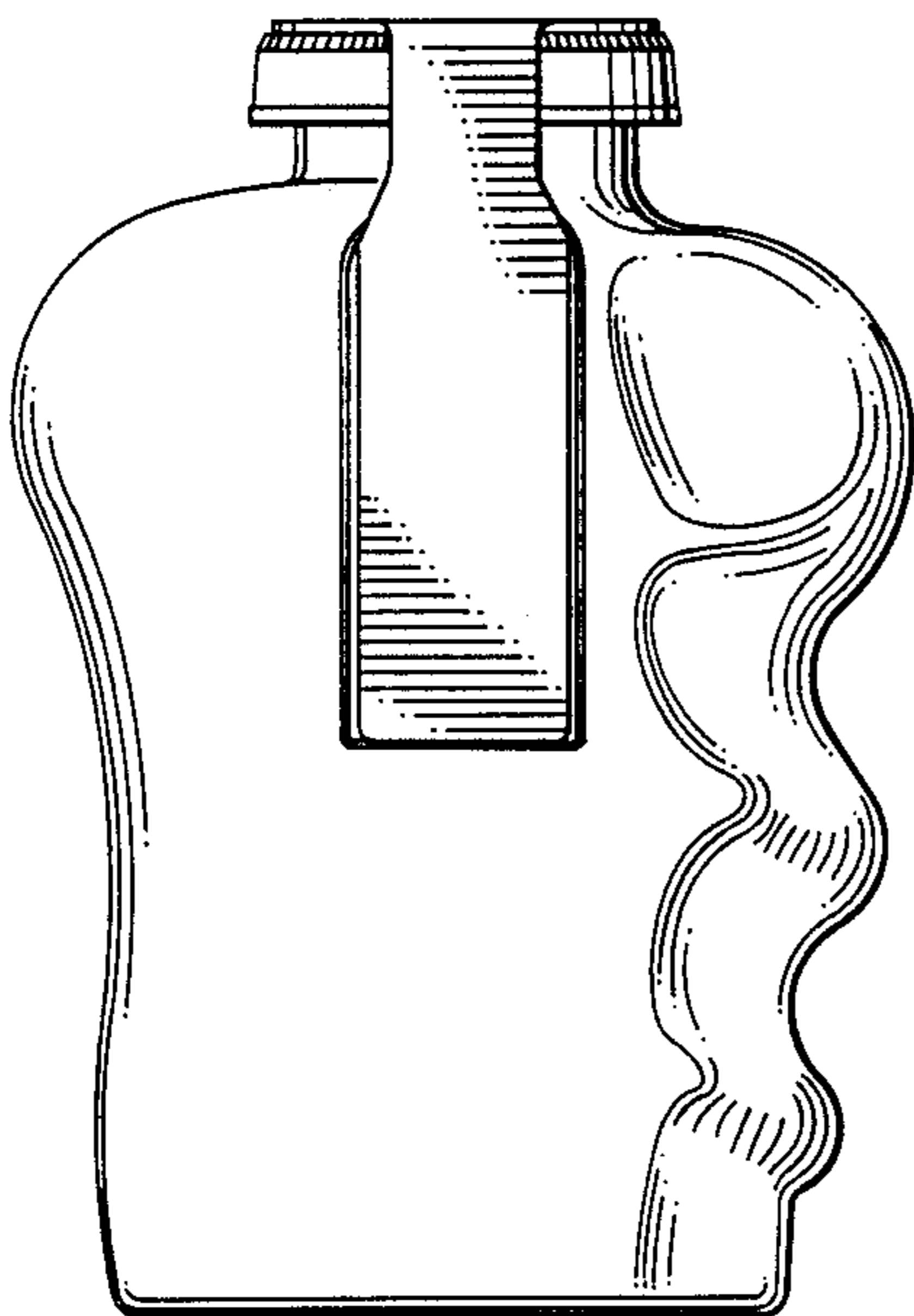


FIG. 6

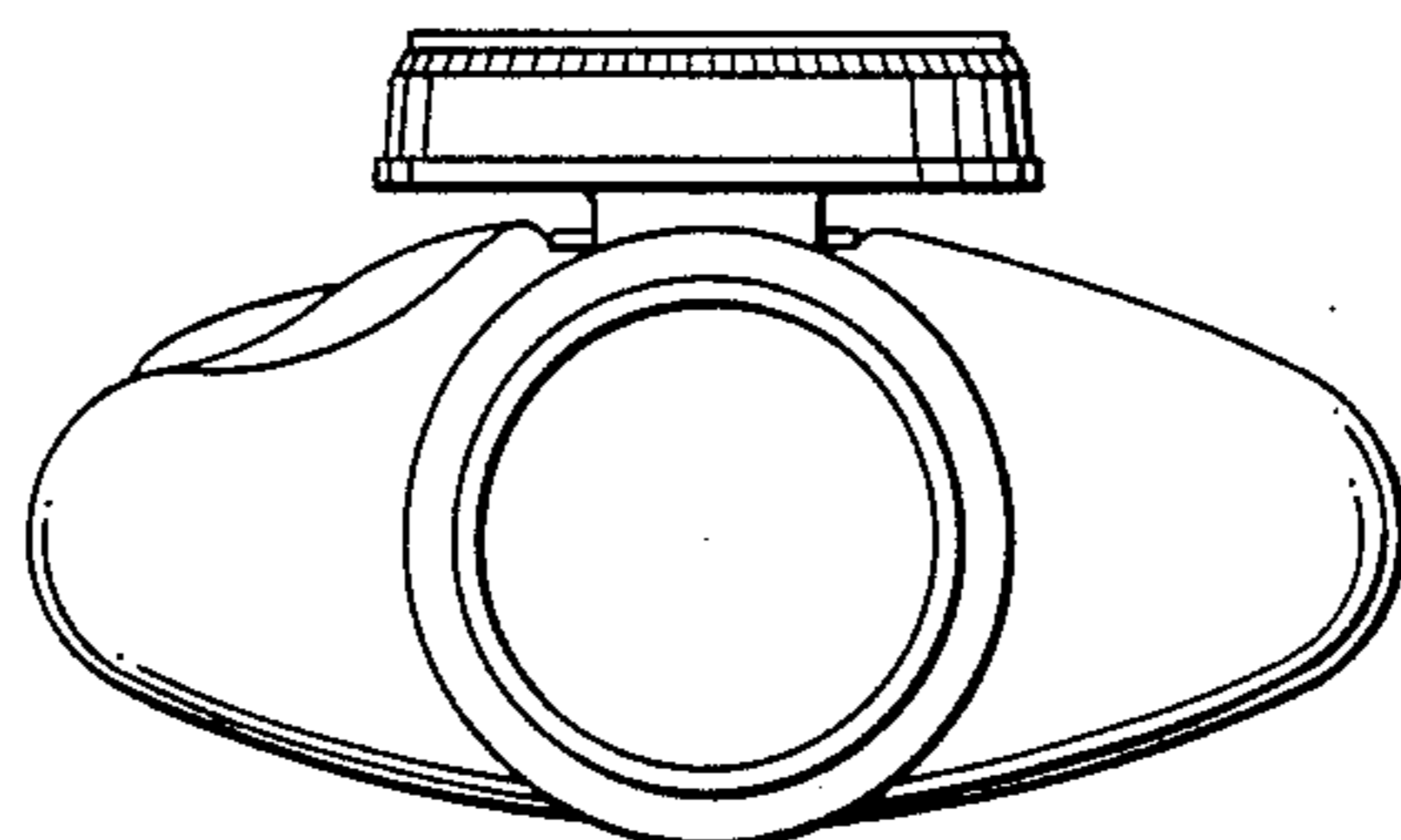


FIG. 9

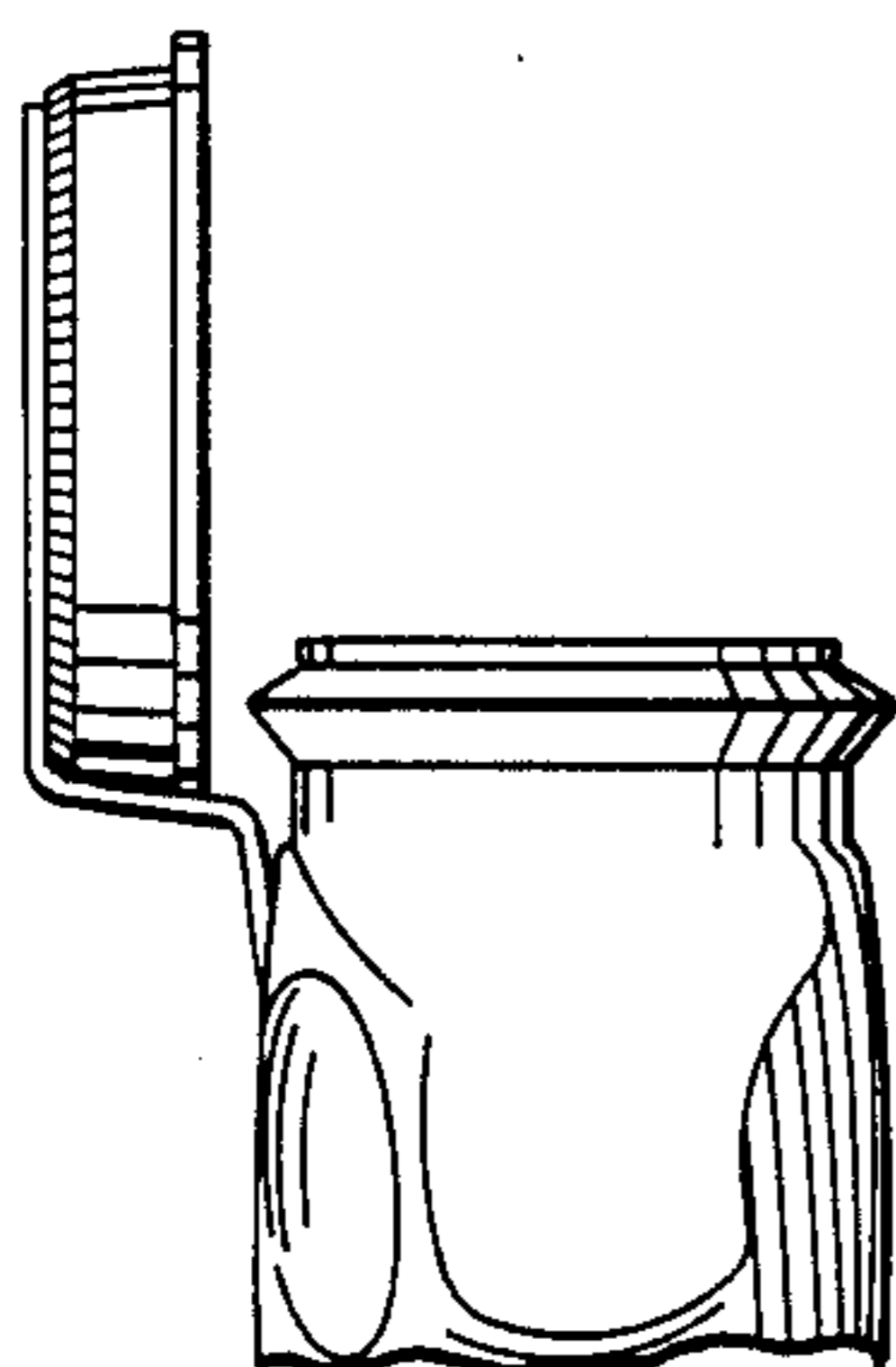


FIG. 8

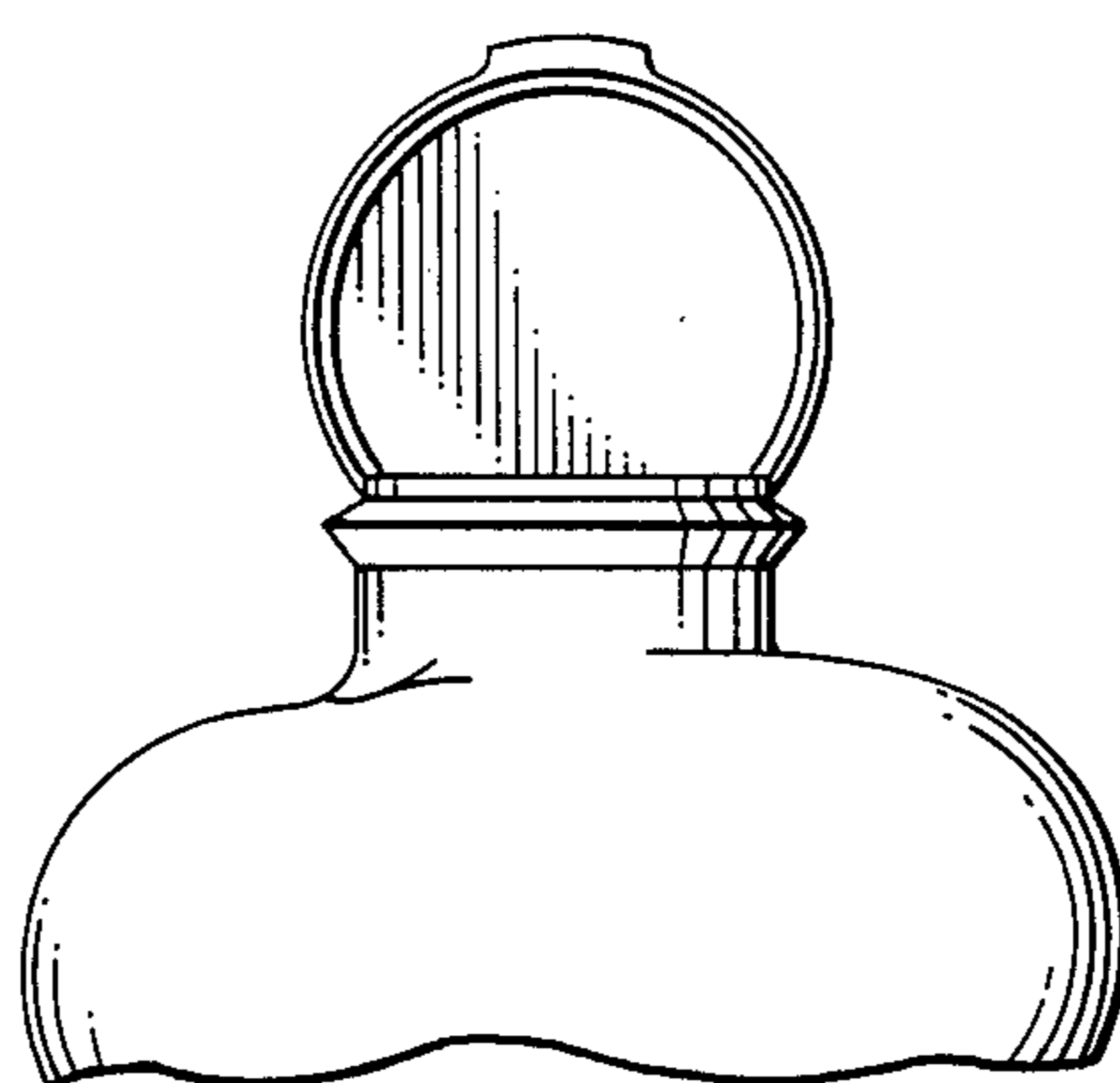


FIG. 7

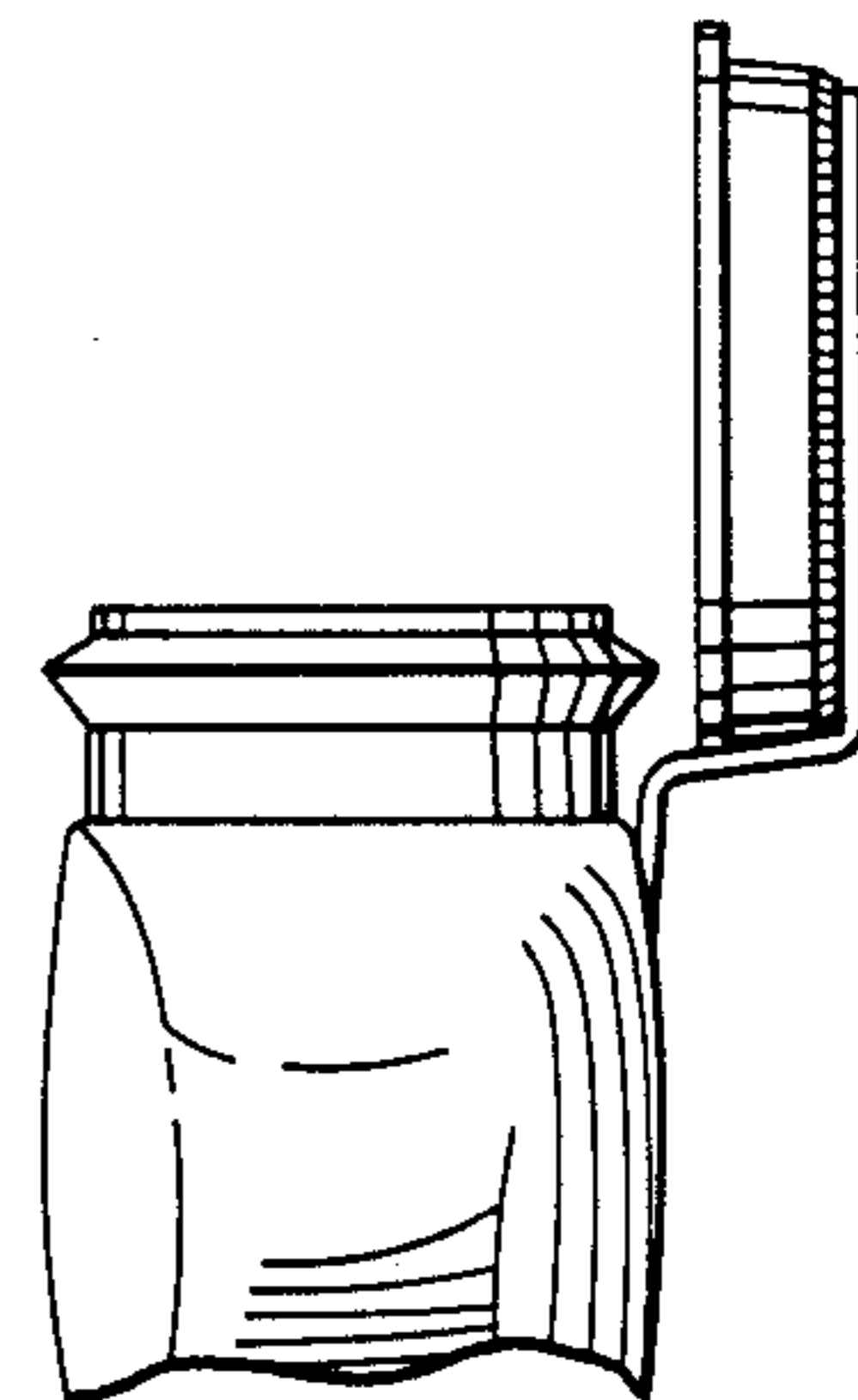


FIG. 10

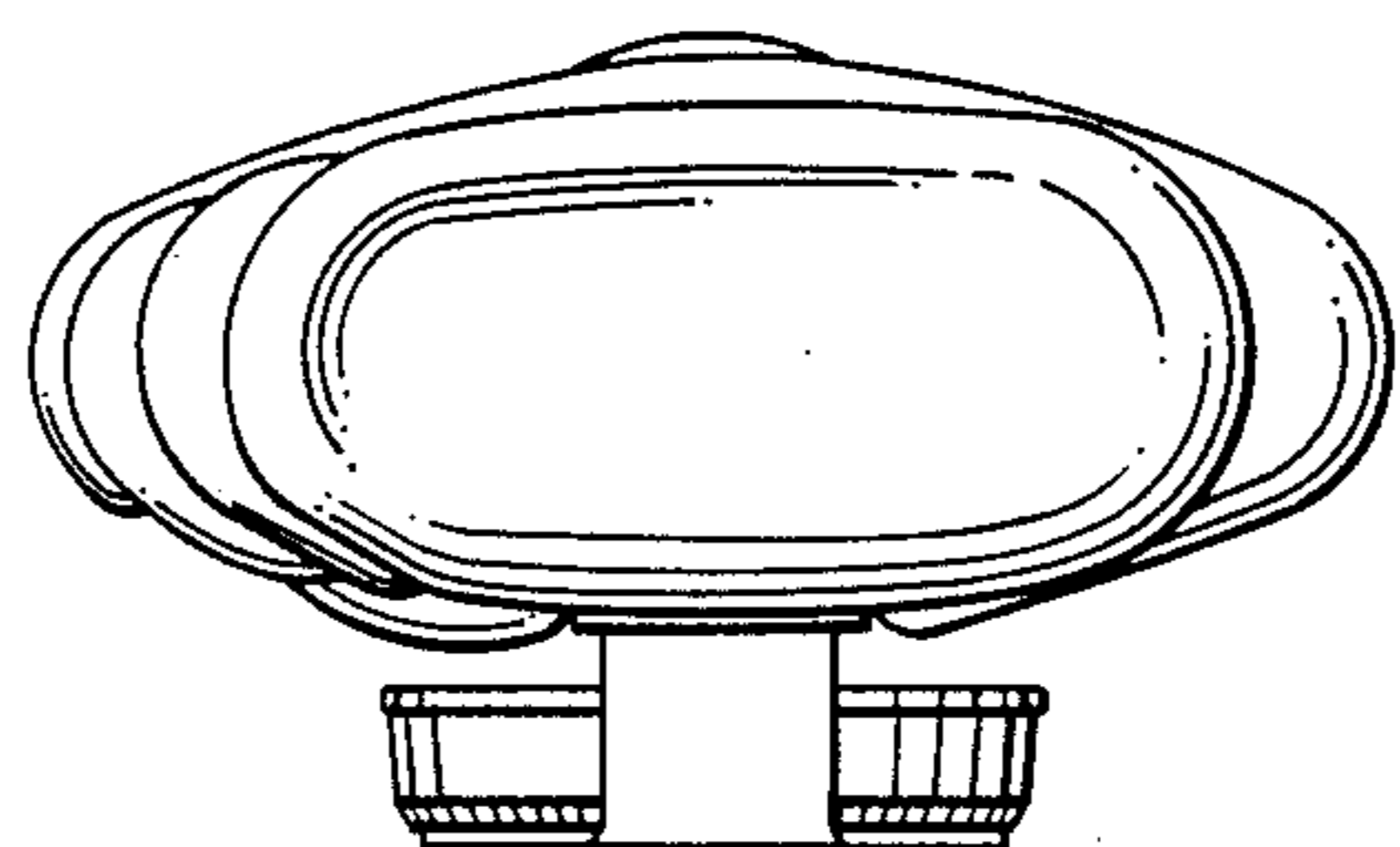


FIG. 11

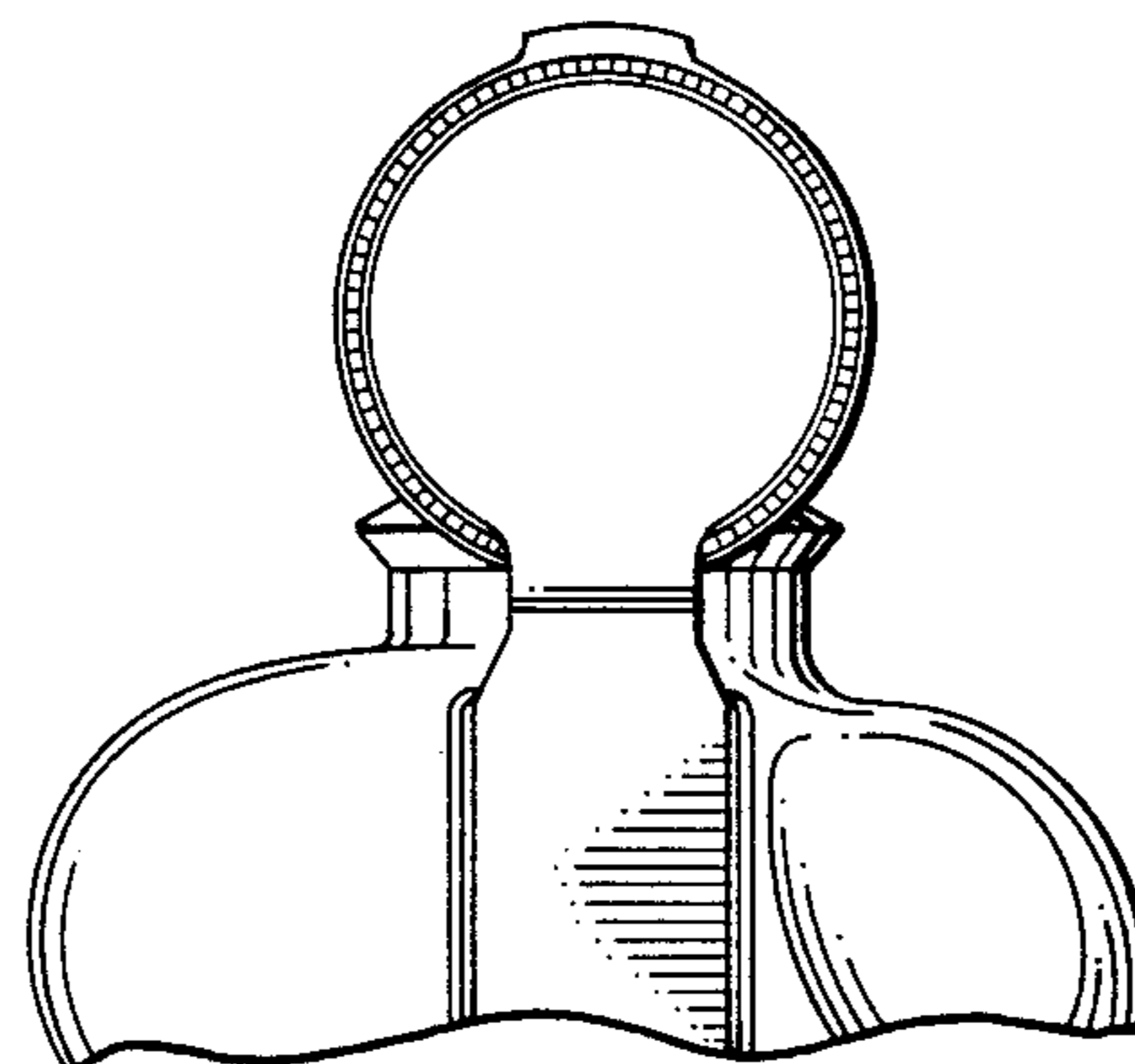


FIG. 12