

[54] VACUUM CLEANER NOZZLE

[75] Inventor: Peter Wörwag, Romanshorn, Switzerland

[73] Assignee: Düpro AG, Romanshorn, Switzerland

[\*\*] Term: 14 Years

[21] Appl. No.: 348,763

[22] Filed: May 8, 1989

[30] Foreign Application Priority Data

Nov. 8, 1988 [DE] Fed. Rep. of Germany ..... 8803041

[52] U.S. Cl. .... D32/32

[58] Field of Search ..... D32/25, 31-34; 15/415 R, 415 A, 418-422

[56] References Cited

U.S. PATENT DOCUMENTS

- D. 248,476 7/1978 Haynes ..... D32/32
- D. 257,255 10/1982 Robinson ..... D32/33
- D. 262,708 1/1982 Essex ..... D32/32

- D. 263,052 2/1982 Ueda ..... D32/33
- D. 263,236 3/1982 Ueda ..... D32/32
- D. 298,876 12/1988 Yamamoto et al. .... D32/33

Primary Examiner—A. Hugo Word  
Assistant Examiner—Ruth McInroy  
Attorney, Agent, or Firm—Robert W. Becker & Associates

[57] CLAIM

The ornamental design for a vacuum cleaner nozzle, as shown and described.

DESCRIPTION

FIG. 1 is a top perspective view of a vacuum cleaner nozzle showing my new design;  
 FIG. 2 is a top plan view thereof;  
 FIG. 3 is a front elevational view thereof;  
 FIG. 4 is a left side elevational view thereof;  
 FIG. 5 is a right side elevational view thereof;  
 FIG. 6 is a rear elevational view thereof;  
 FIG. 7 is a bottom plan view thereof;  
 FIG. 8 is a top perspective view thereof with the nozzle inverted into a second condition of use; and  
 FIG. 9 is an exploded top perspective view thereof.

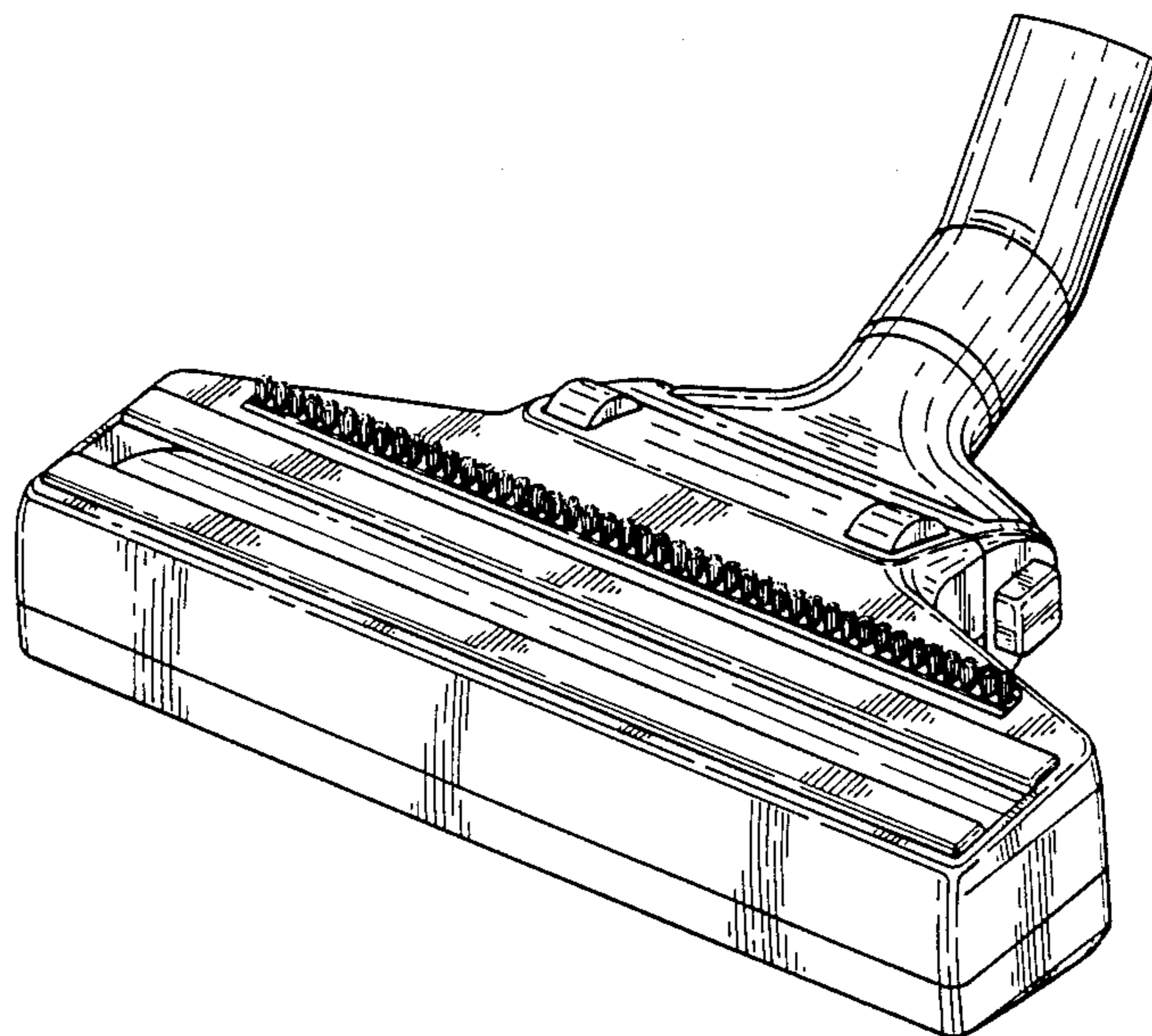


FIG. 1

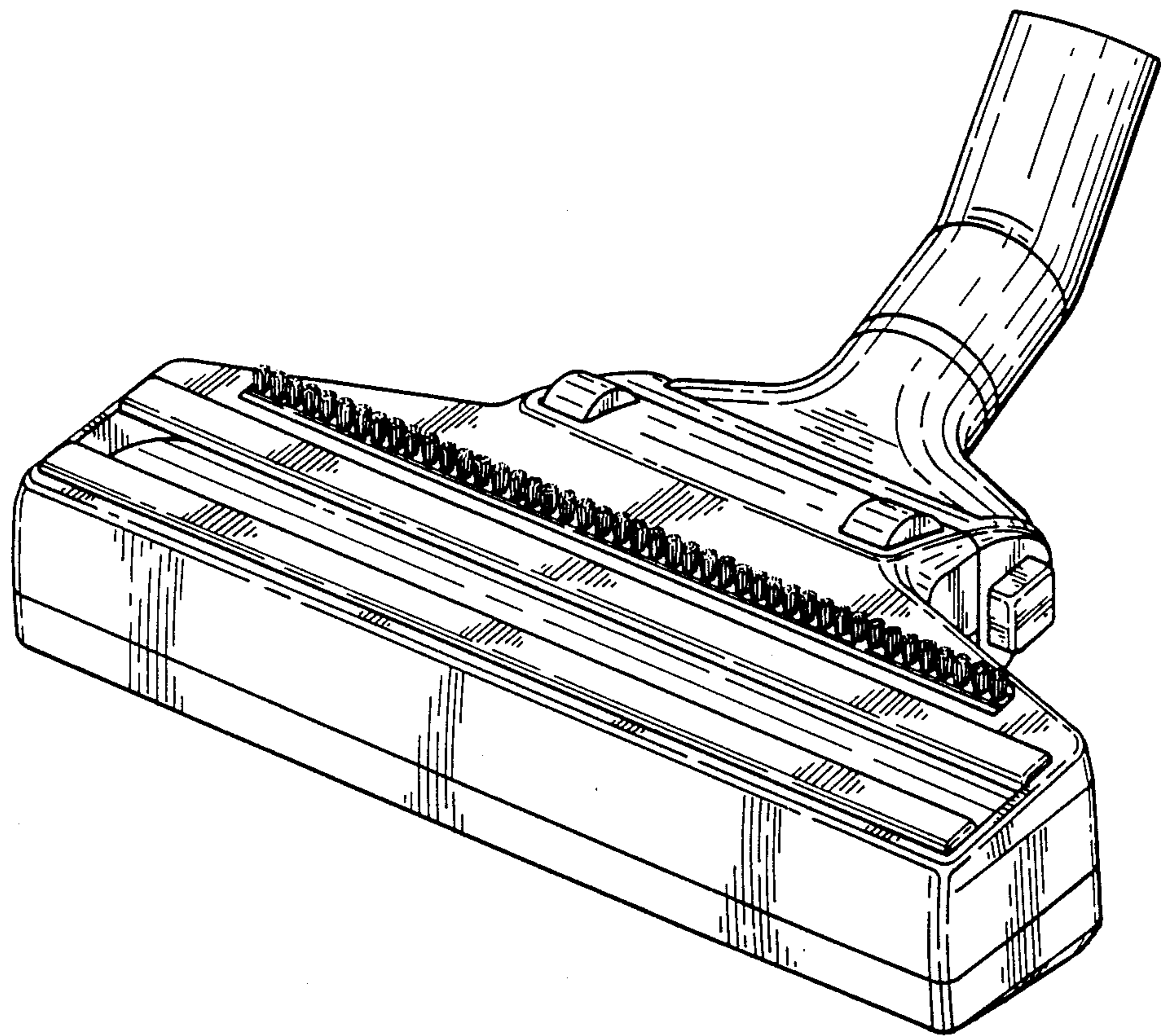


FIG. 2

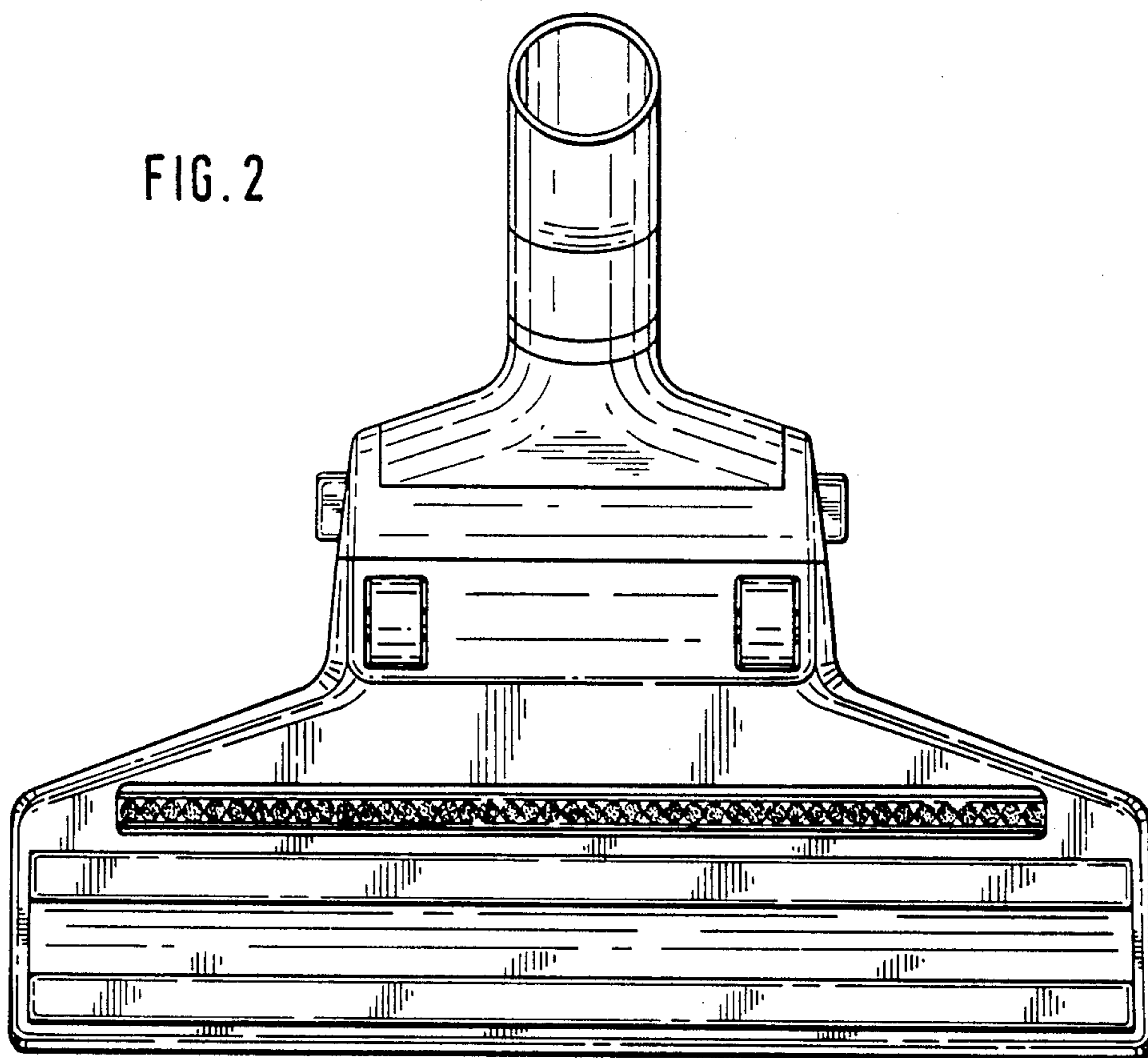


FIG. 3

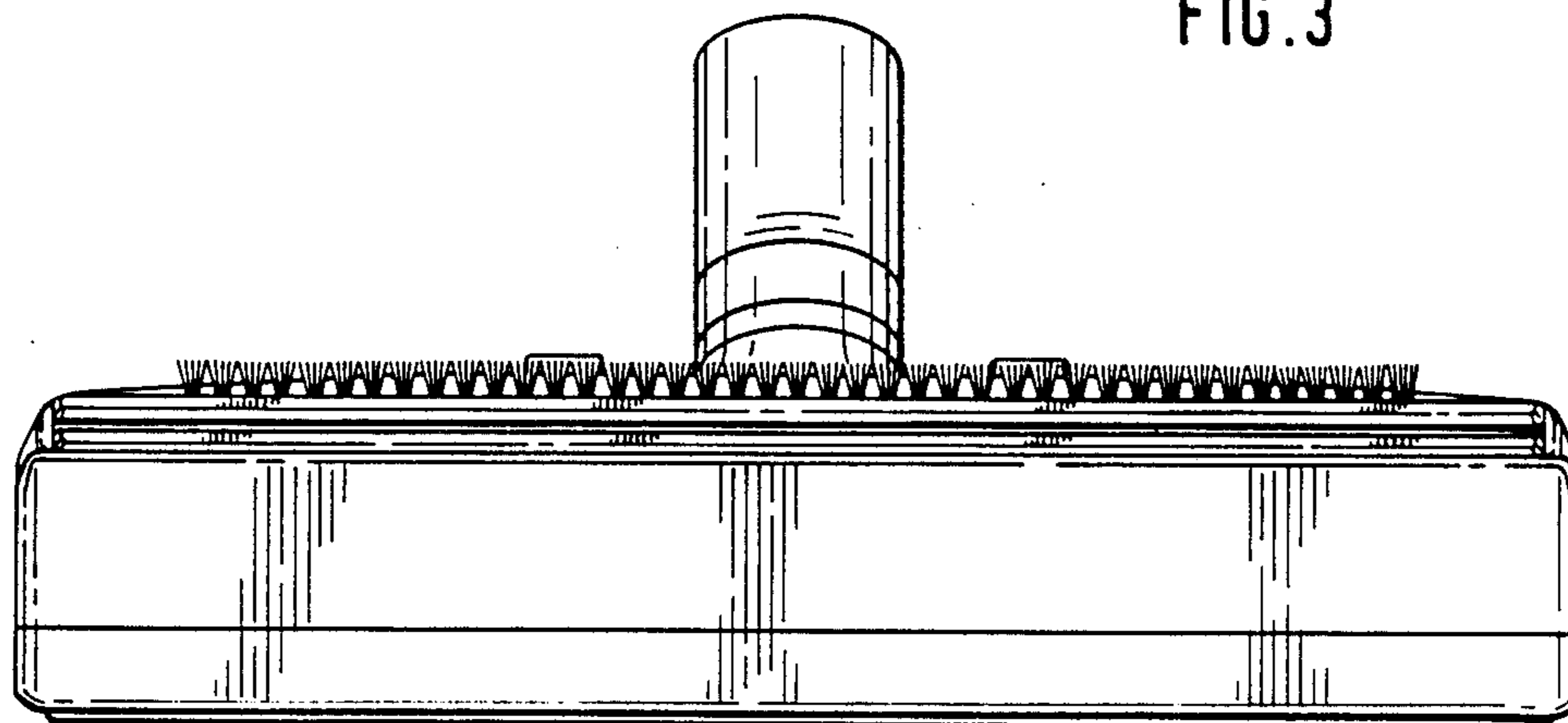


FIG. 4

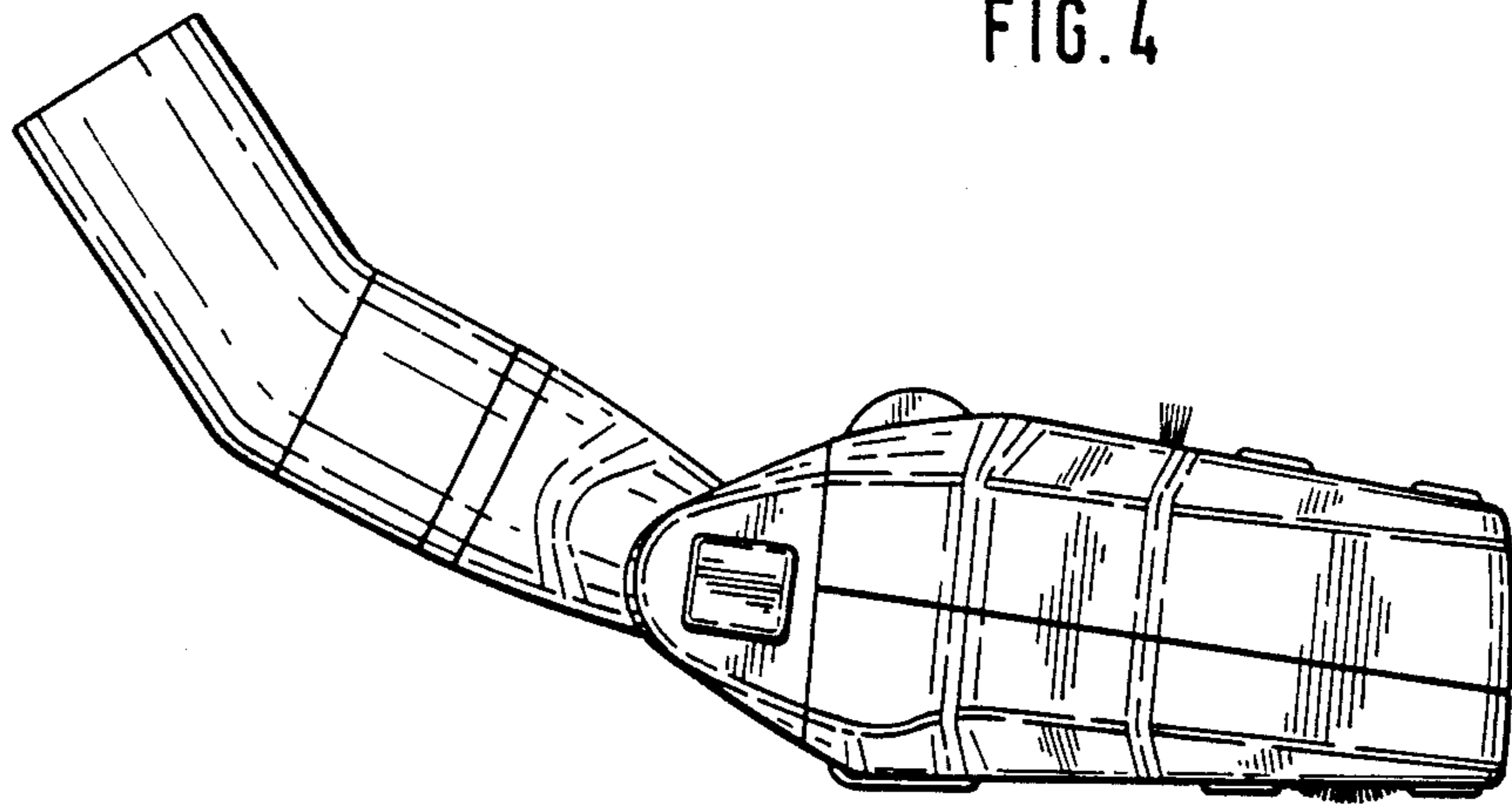


FIG. 5

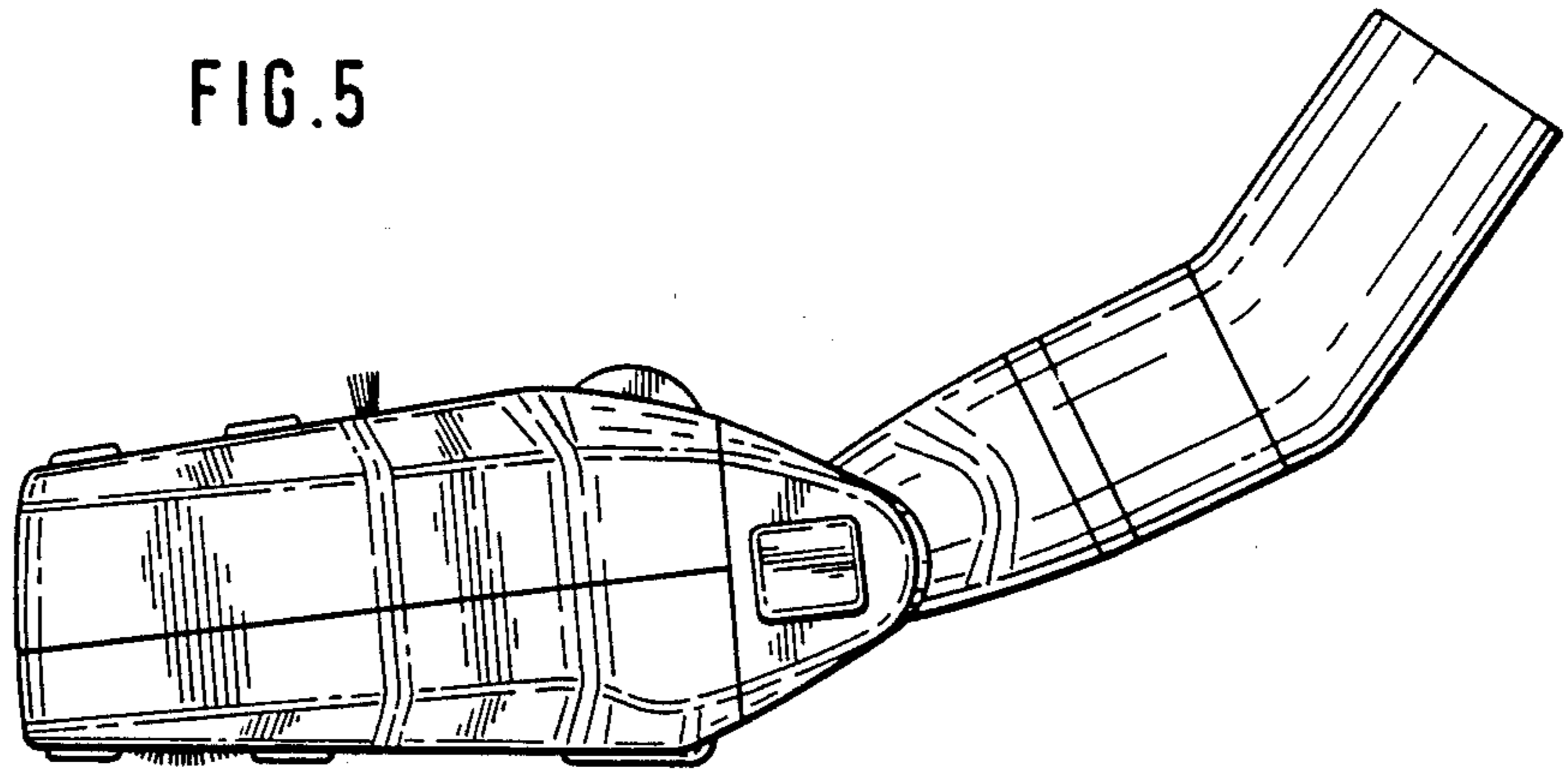


FIG. 6

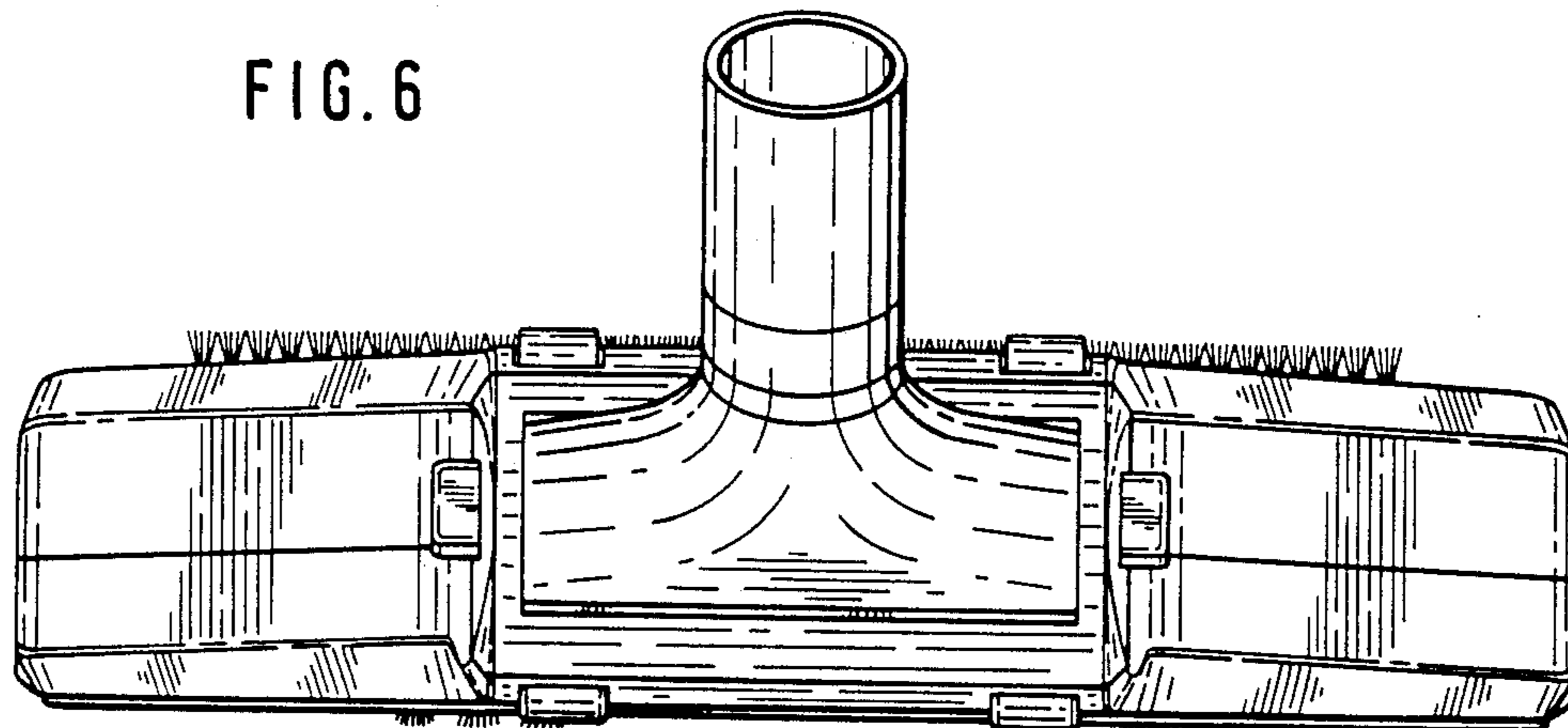


FIG. 7

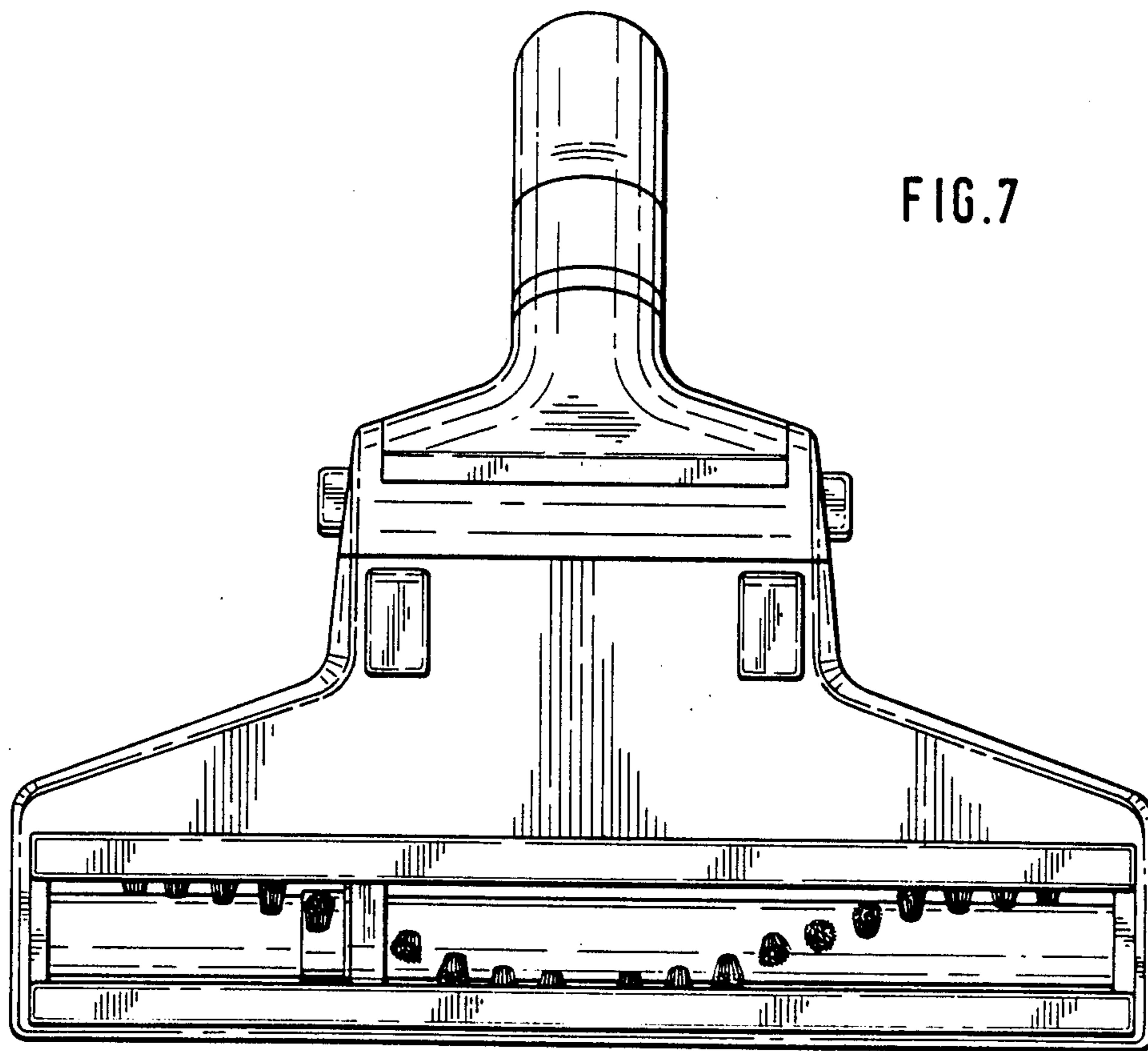


FIG. 8

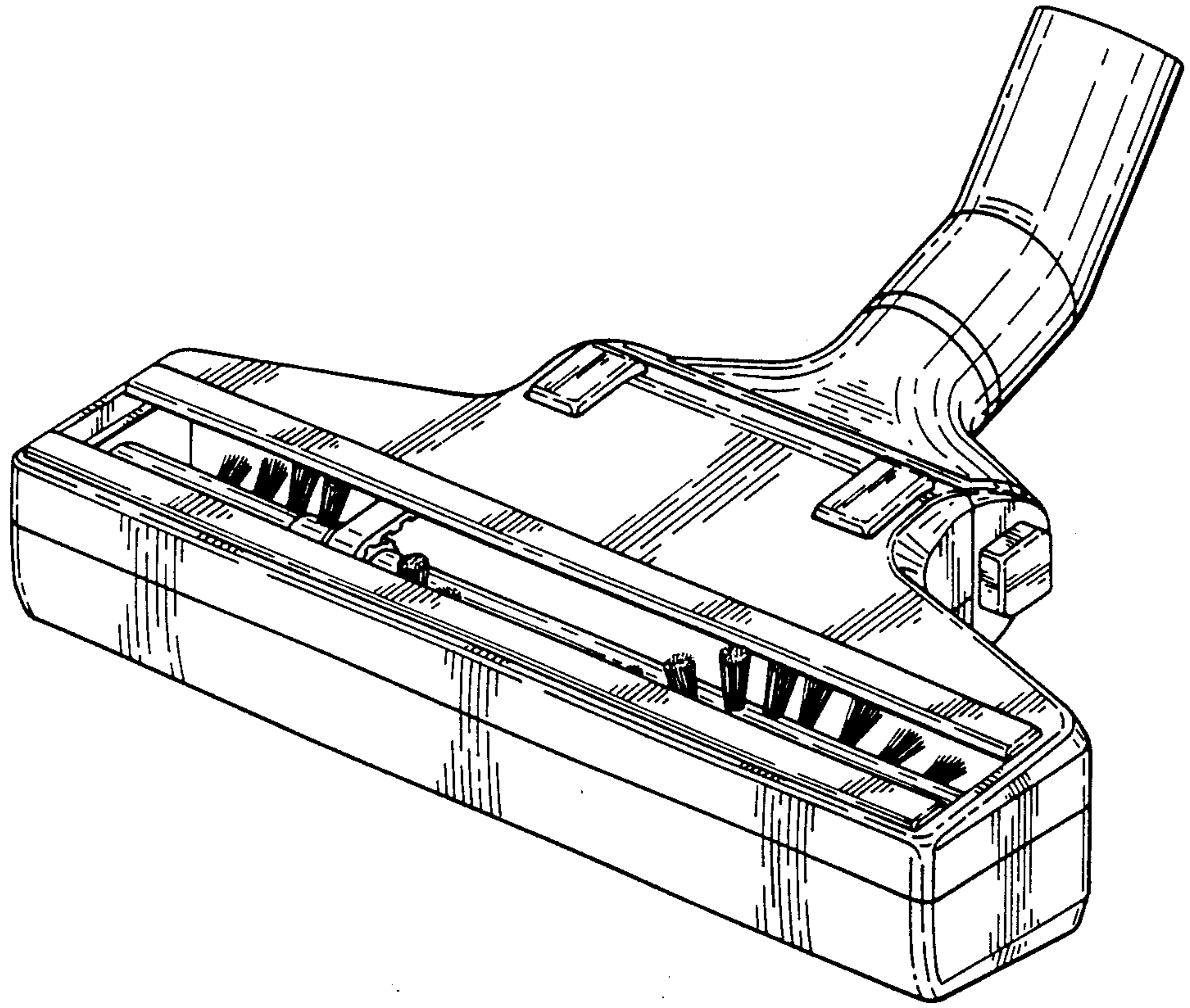


FIG. 9

