

[54] VACUUM CLEANER

3,614,804 10/1971 Grellson 16/21
3,816,983 6/1974 Sawada et al. 55/357

[75] Inventors: John D. Essex; David W. Moine, both of North Canton, Ohio

Primary Examiner—A. Hugo Word
Assistant Examiner—Ruth McInroy

[73] Assignee: The Hoover Company, North Canton, Ohio

[57] CLAIM

[**] Term: 14 Years

The ornamental design for a vacuum cleaner, as shown and described.

[21] Appl. No.: 303,388

DESCRIPTION

[22] Filed: Jan. 30, 1989

[52] U.S. Cl. D32/24

[58] Field of Search D32/21, 23-24;
15/327 R, 327 B, 327 D, 327 E, 327 F, 412,
301-302, 314-315, 320-323, 352-353

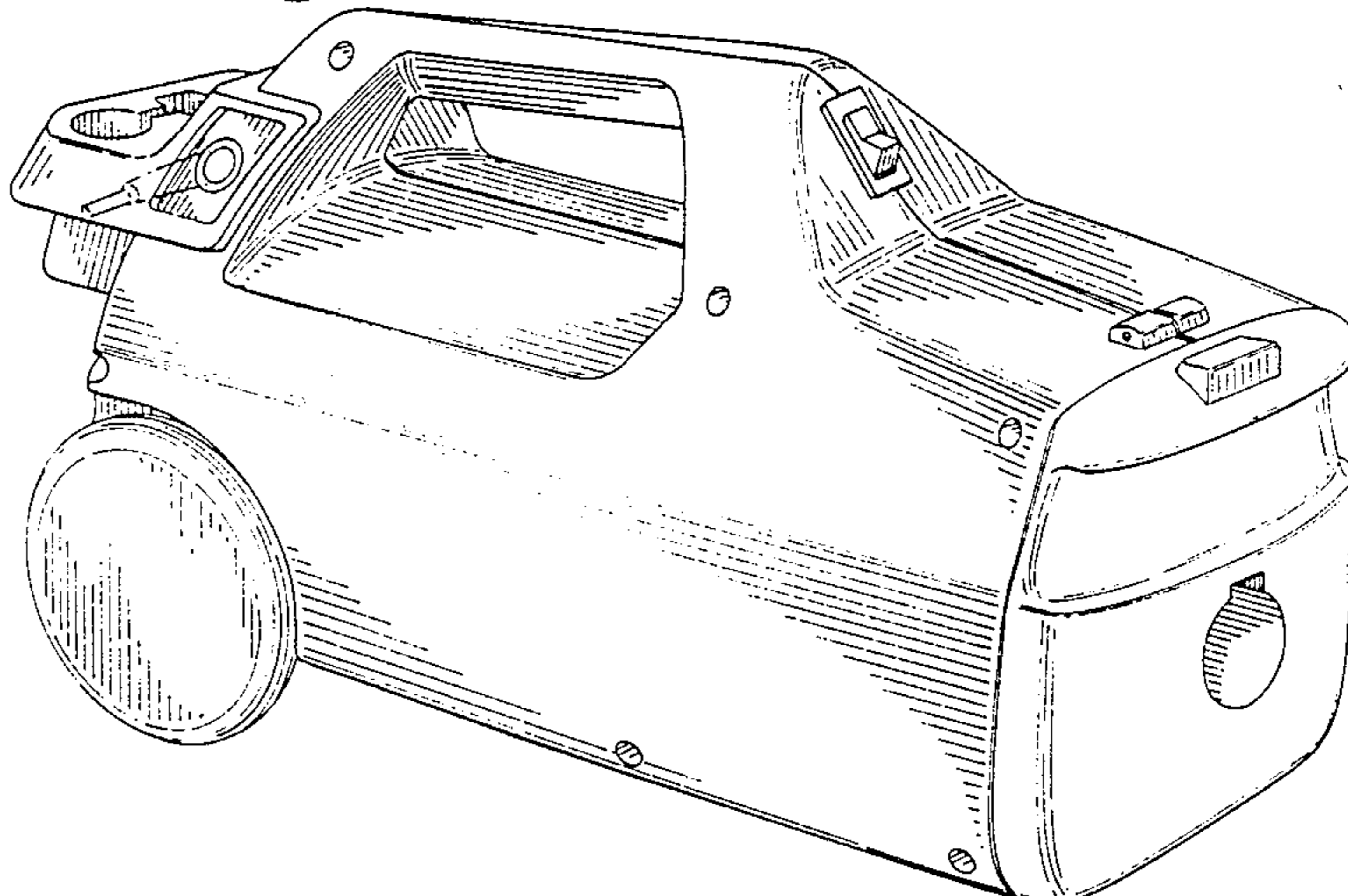
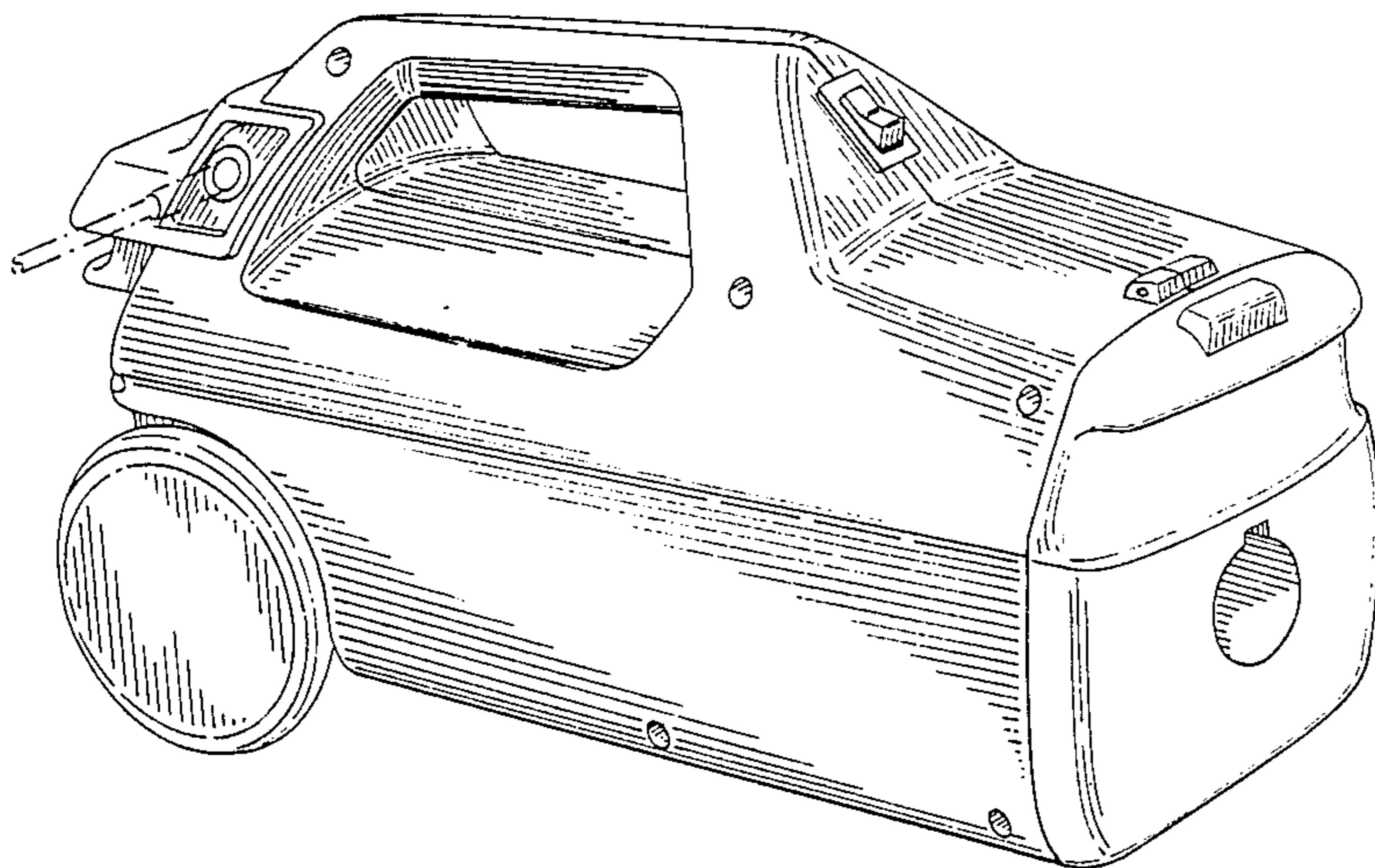
FIG. 1 is a top front and left side perspective view of a vacuum cleaner showing our new design;
FIG. 2 is a right side elevational view thereof;
FIG. 3 is a top plan view thereof;
FIG. 4 is a left side elevational view thereof;
FIG. 5 is a bottom plan view thereof;
FIG. 6 is an enlarged front elevational view thereof;
FIG. 7 is an enlarged rear elevational view thereof;
FIG. 8 is a right side elevational view of a second embodiment thereof;
FIG. 9 is a top plan view thereof;
FIG. 10 is a bottom plan view thereof;
FIG. 11 is an enlarged rear elevational view thereof;
and
FIG. 12 is a top, front and left side perspective view thereof.

[56] References Cited

U.S. PATENT DOCUMENTS

- D. 144,529 4/1946 Walker .
- D. 174,395 4/1955 Meyerhoefer .
- D. 187,688 4/1960 Descarries D32/24
- D. 206,574 1/1967 Cook .
- D. 227,694 7/1973 Haynes D32/24
- D. 233,647 11/1974 Diehl .
- D. 235,726 7/1975 Williams D32/24
- D. 247,117 1/1978 Yoshida et al. D32/21
- D. 270,865 10/1983 Moine D32/21
- D. 276,944 12/1984 Parker et al. D32/24
- D. 288,972 3/1987 Morioka et al. D32/24
- D. 296,188 11/1988 Descarries 15/323

The front elevational view of the second embodiment is the same as FIG. 6. The electric cord shown in broken lines in FIGS. 1, 3, 6, 7, 9, 11 and 12 is for illustrative purposes only and forms no part of the claimed design.



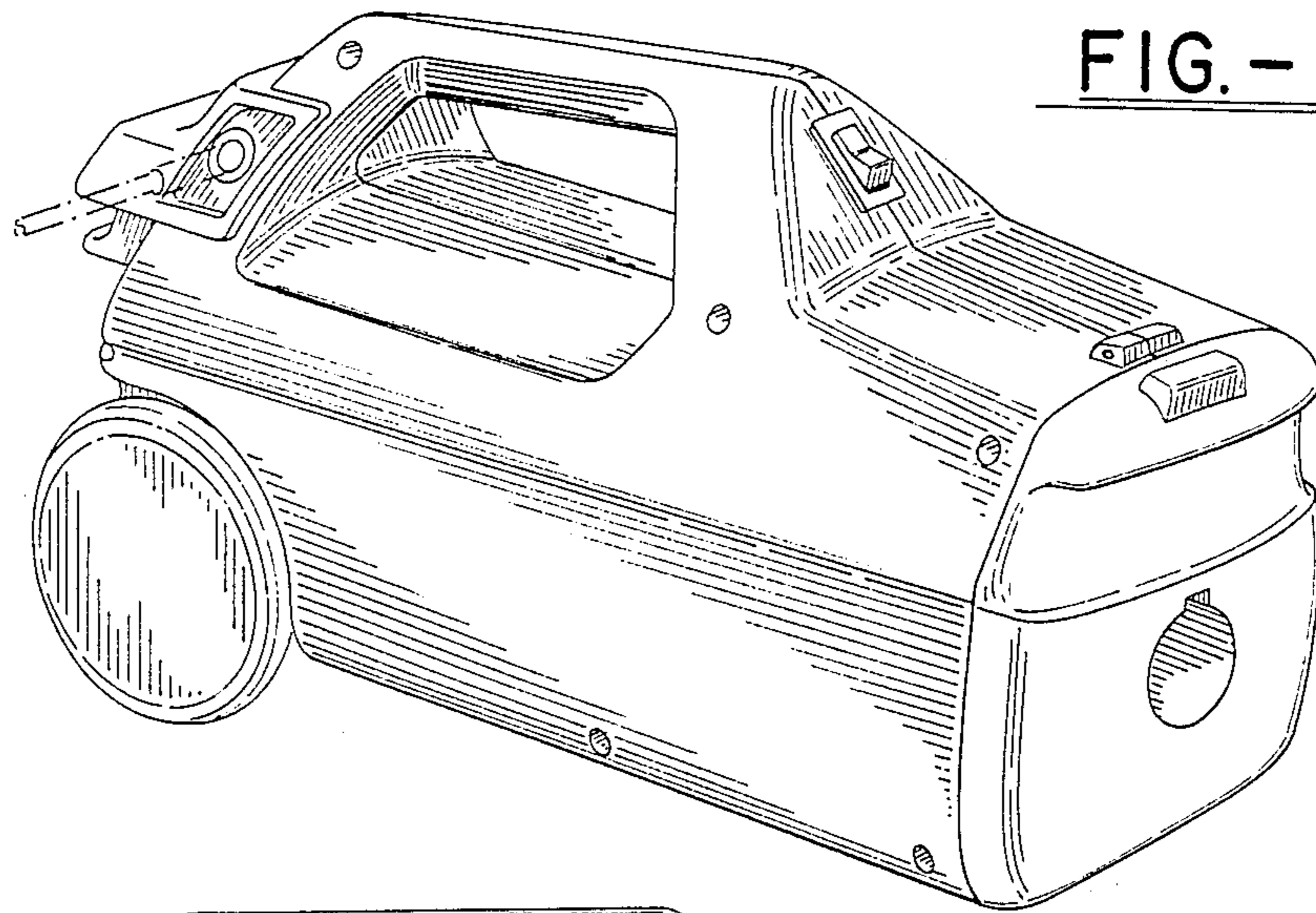


FIG. -1

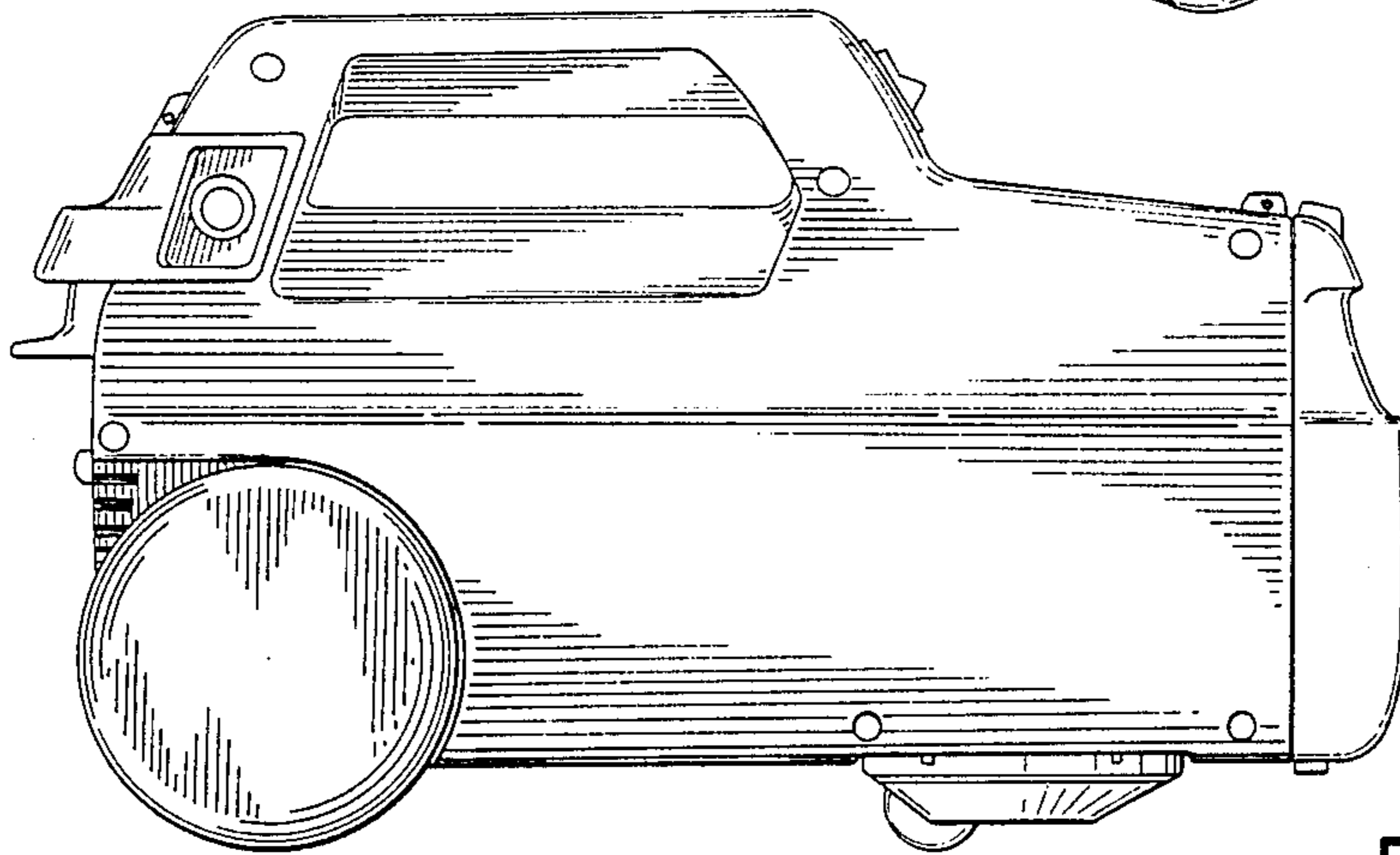


FIG. -2

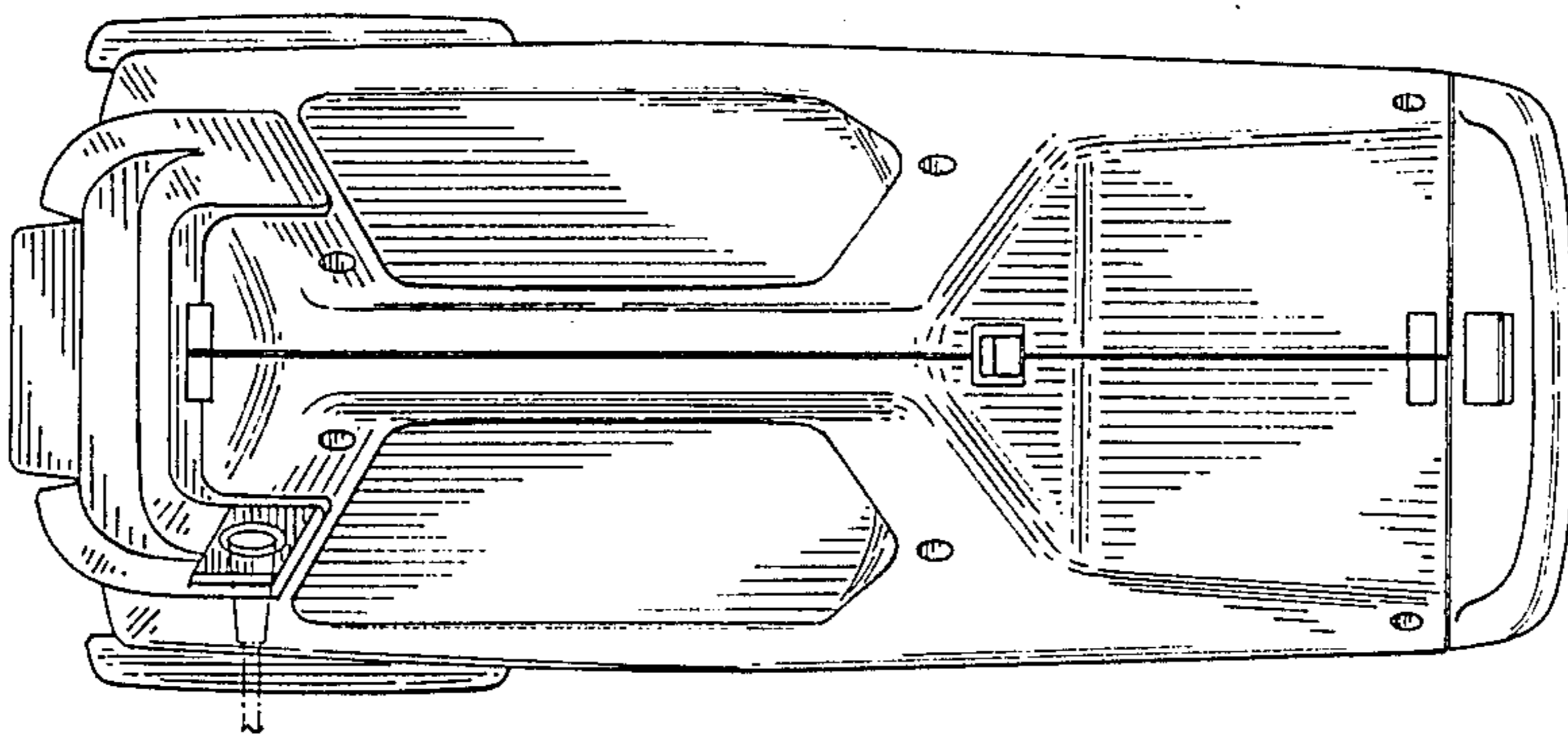


FIG. -3

FIG.-4

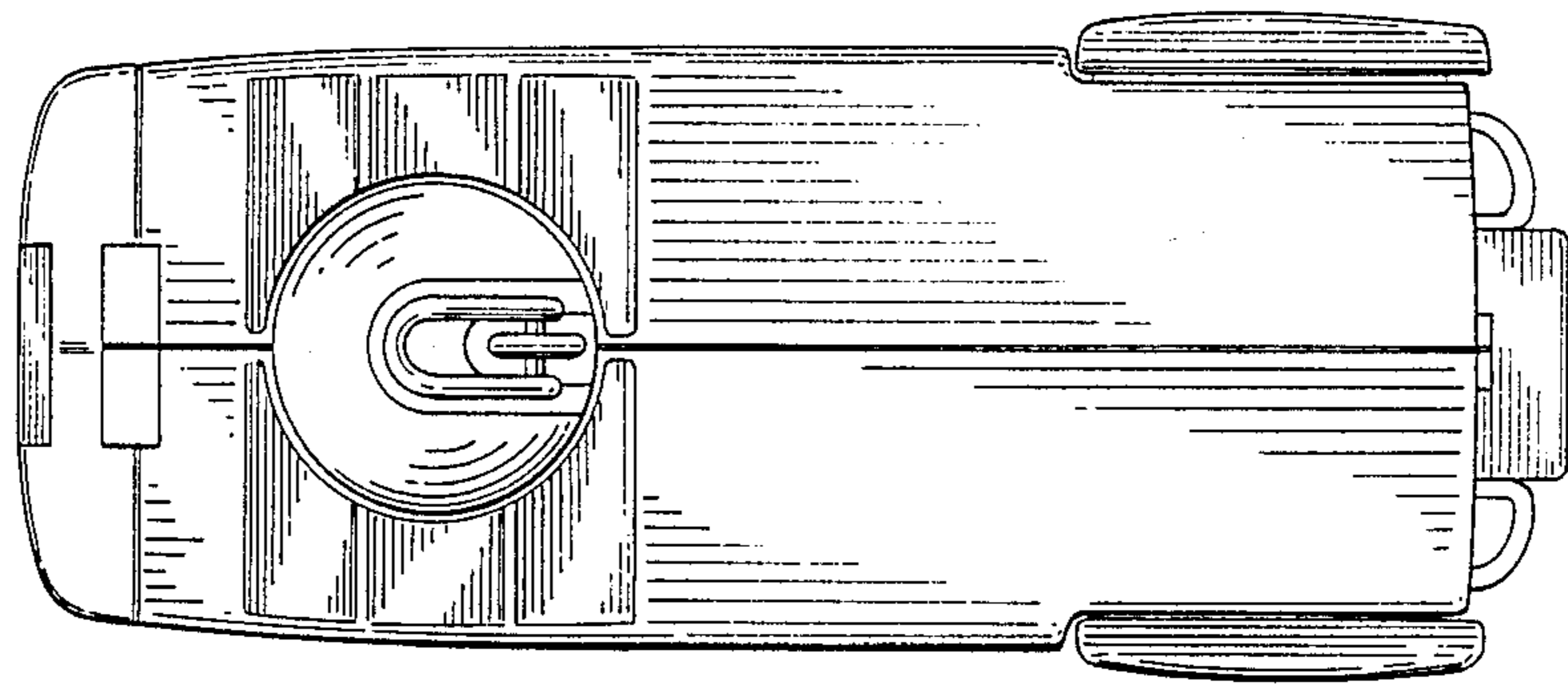
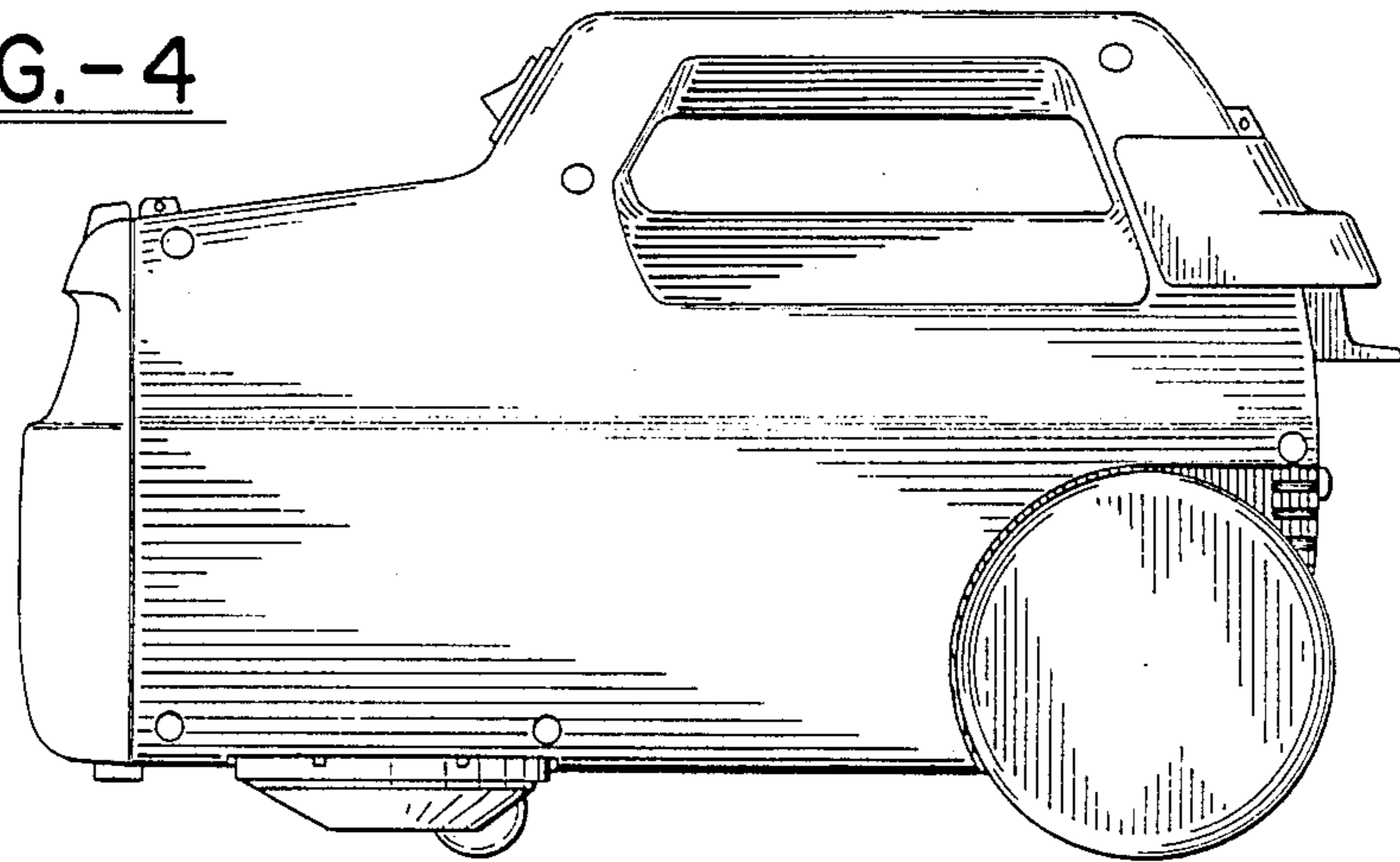


FIG.-5

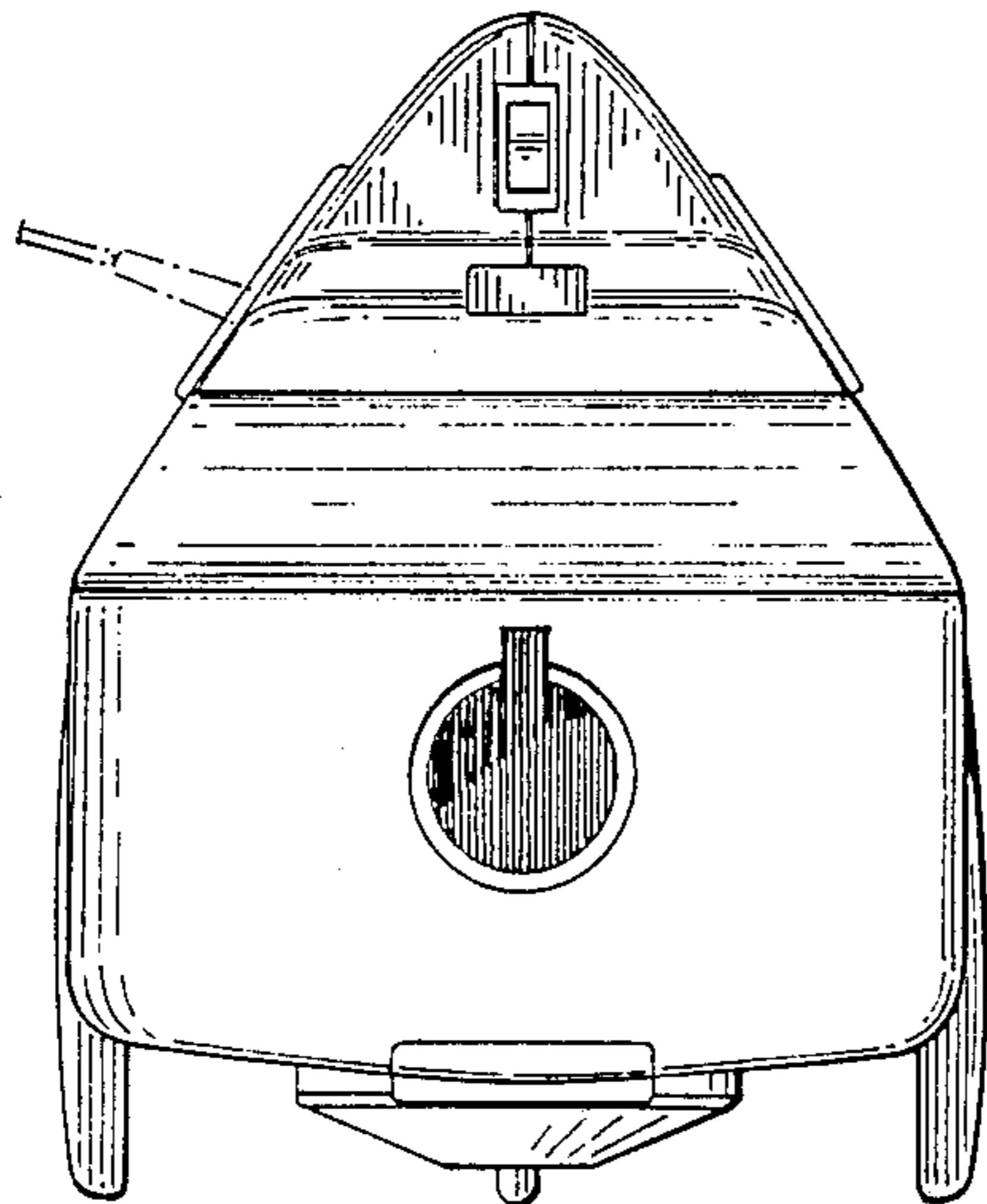


FIG.-6

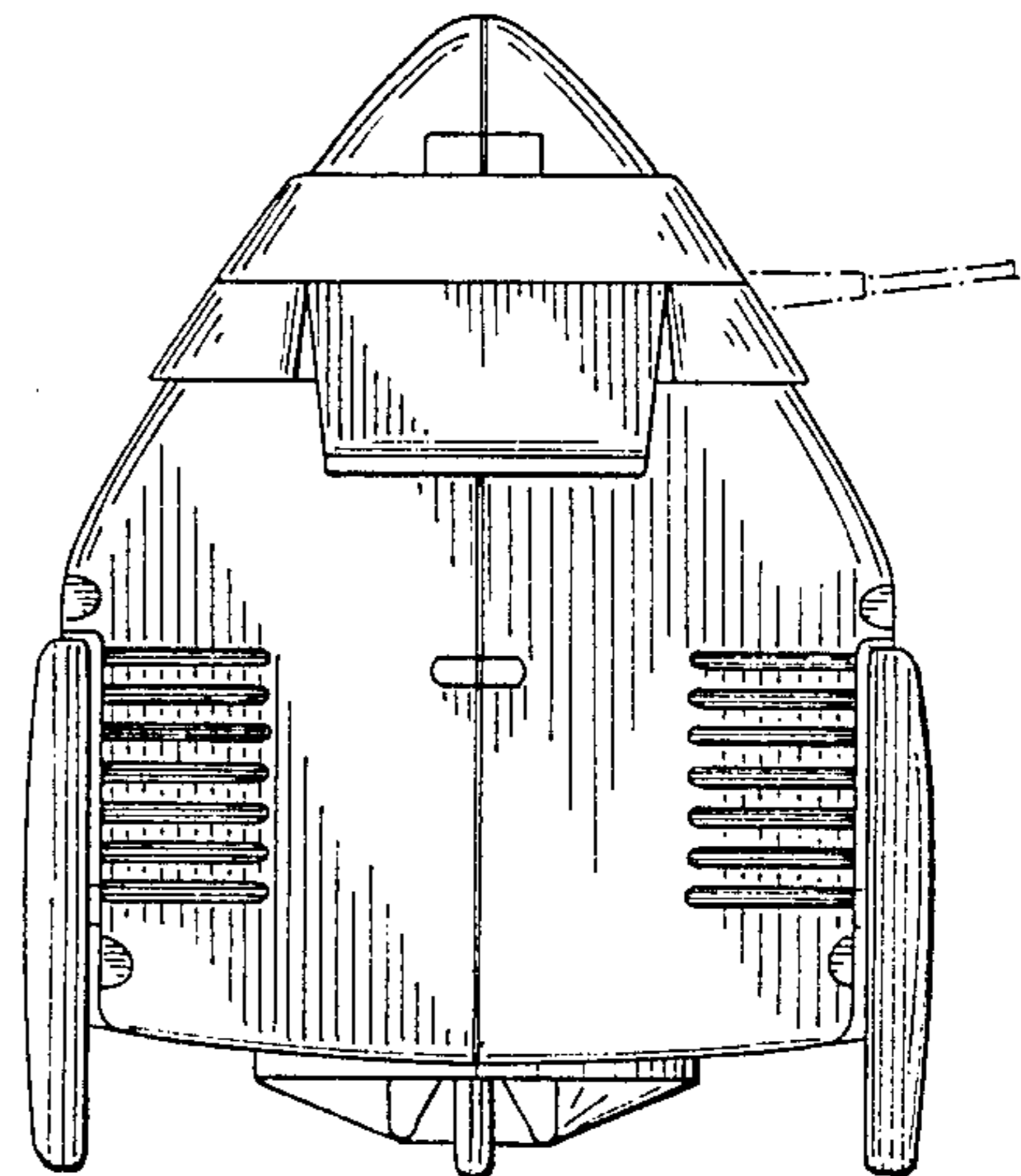


FIG.-7

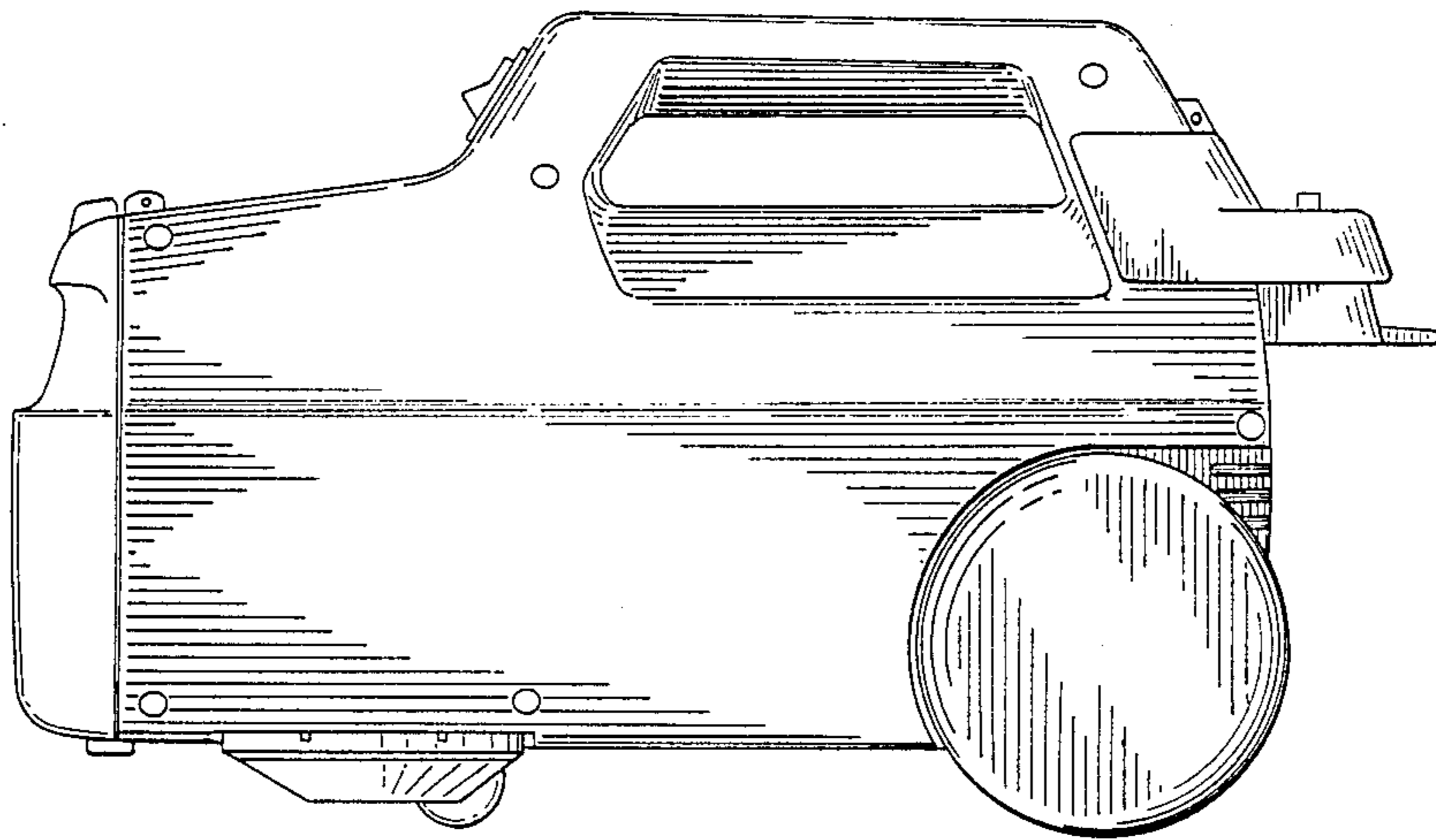


FIG.-8

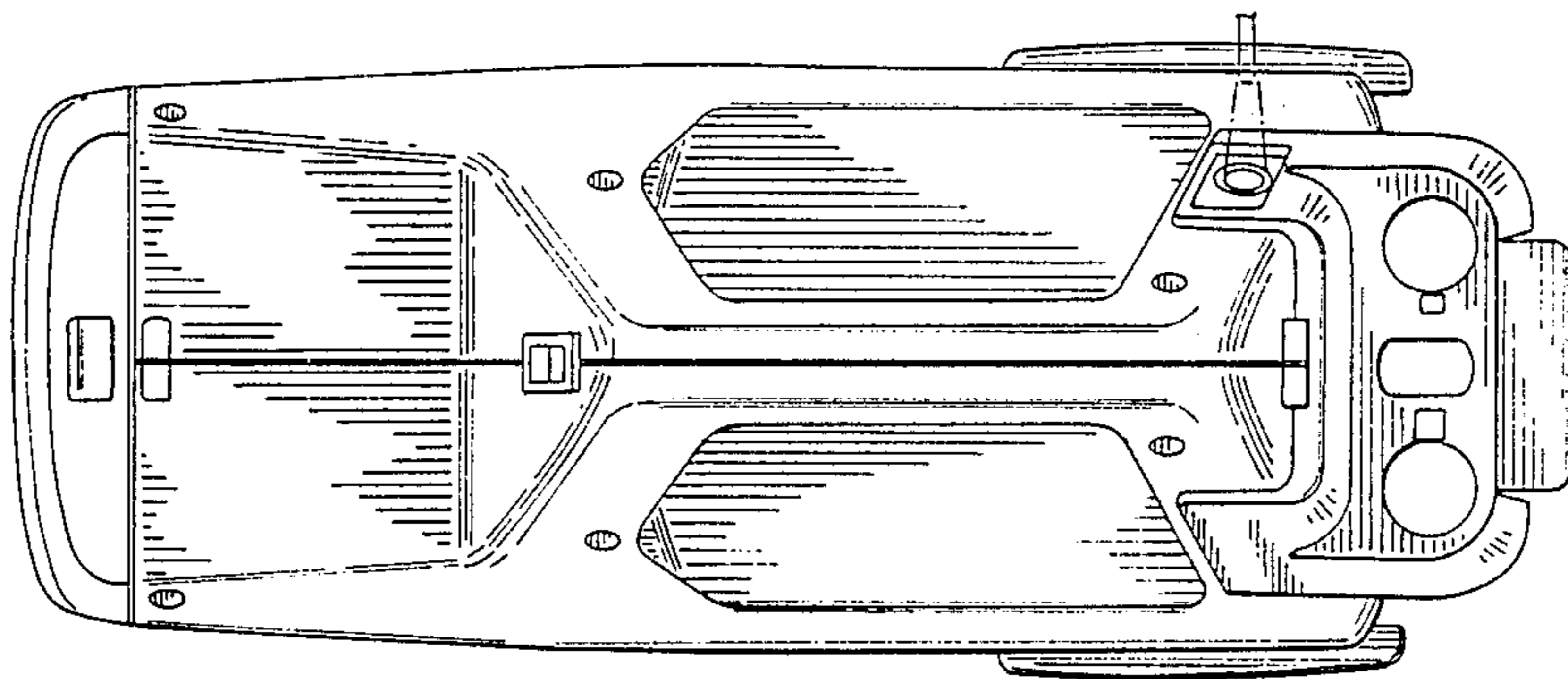


FIG.-9

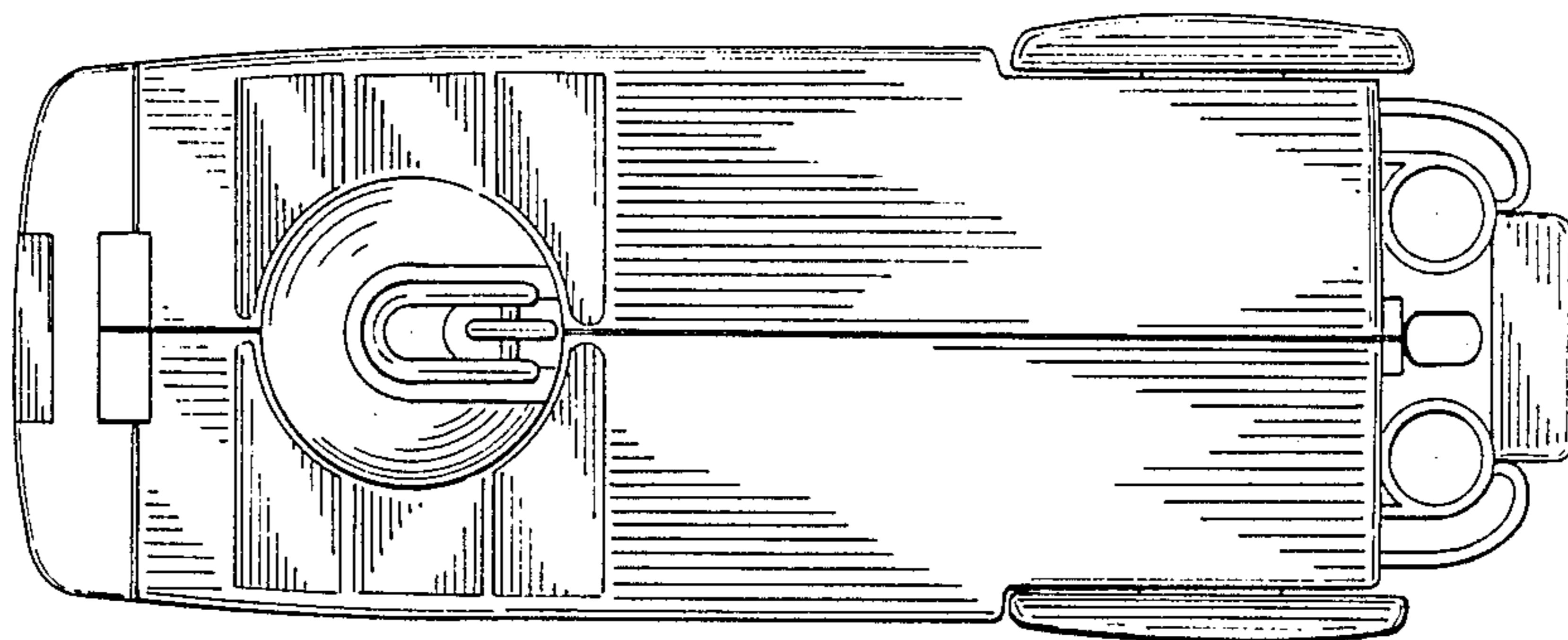


FIG.-10

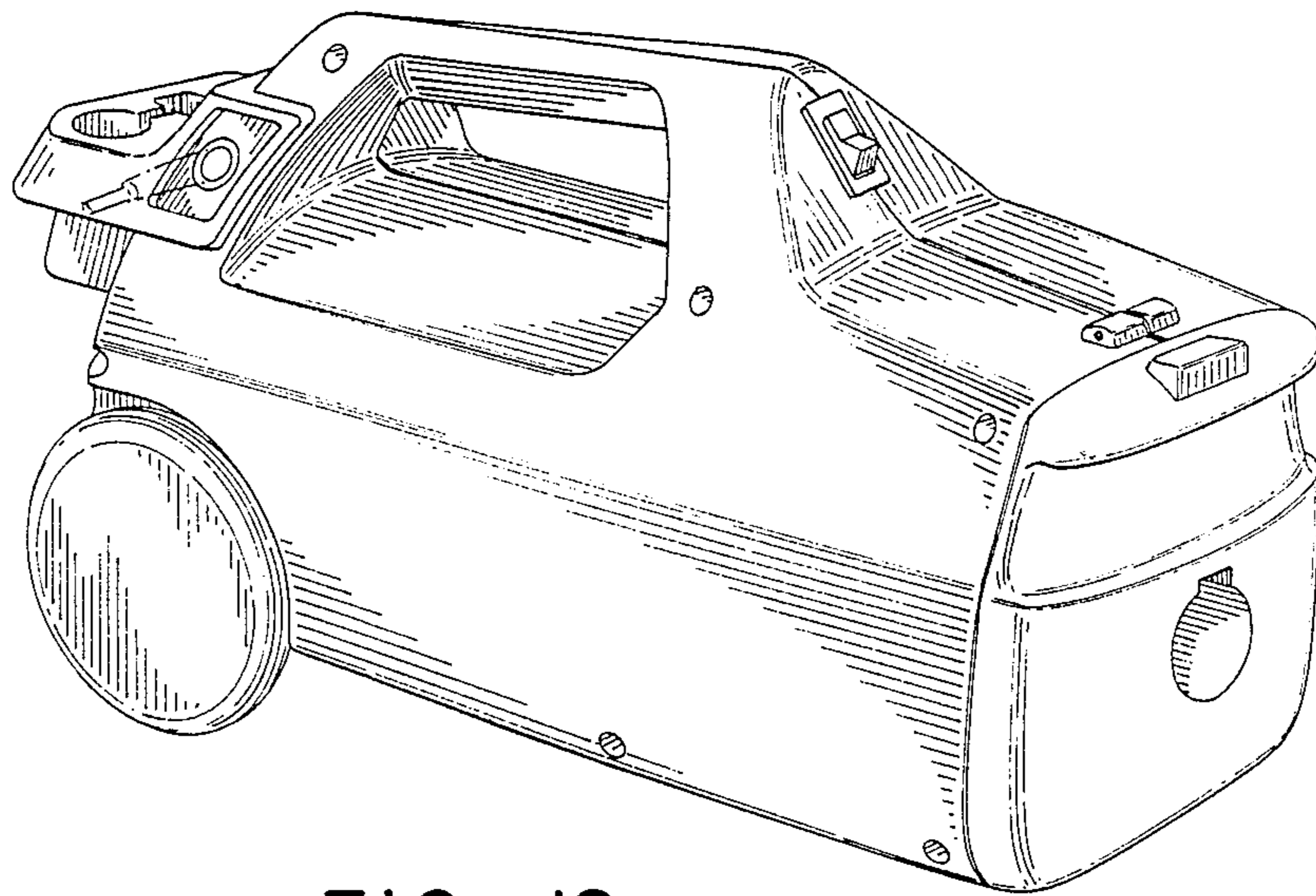


FIG. - 12

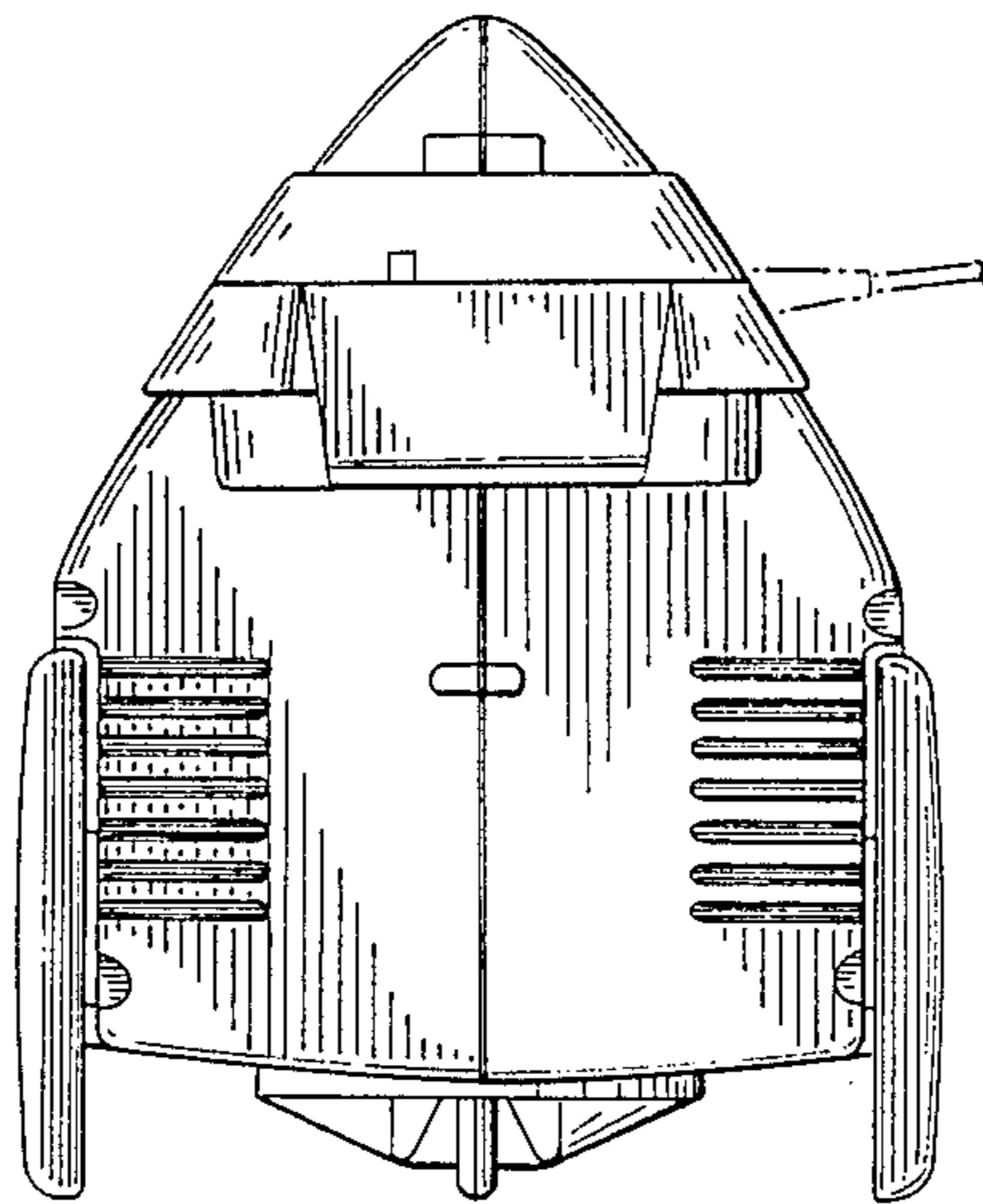


FIG. - 11