

[54] PORTABLE ROTATING DRAIN CLEANER

[75] Inventors: V. Lee Russell, Bethany; Kerry Cannon, Moore, both of Okla.

[73] Assignee: National Manufacturing & Supply Corporation, Oklahoma City, Okla.

[**] Term: 14 Years

[21] Appl. No.: 166,916

[22] Filed: Mar. 11, 1988

[52] U.S. Cl. D32/14

[58] Field of Search D32/14; 15/104.31, 104.32, 15/104.33; 134/168 C

3,399,417	9/1968	Hammond et al.	15/104.3
3,983,593	10/1976	Naeve	15/104.35 N
4,312,679	1/1982	Klein, Sr.	134/8
4,364,139	12/1982	Babb et al.	15/104.35 N
4,368,757	1/1983	Finger	137/565
4,420,852	12/1983	Bowlsby	15/104.35 N
4,700,422	10/1987	Russell	15/104.35 N

Primary Examiner—A. Hugo Word
Assistant Examiner—Ruth McInroy
Attorney, Agent, or Firm—Bill D. McCarthy

[57] CLAIM

The ornamental design for a portable rotating drain cleaner, as shown and described.

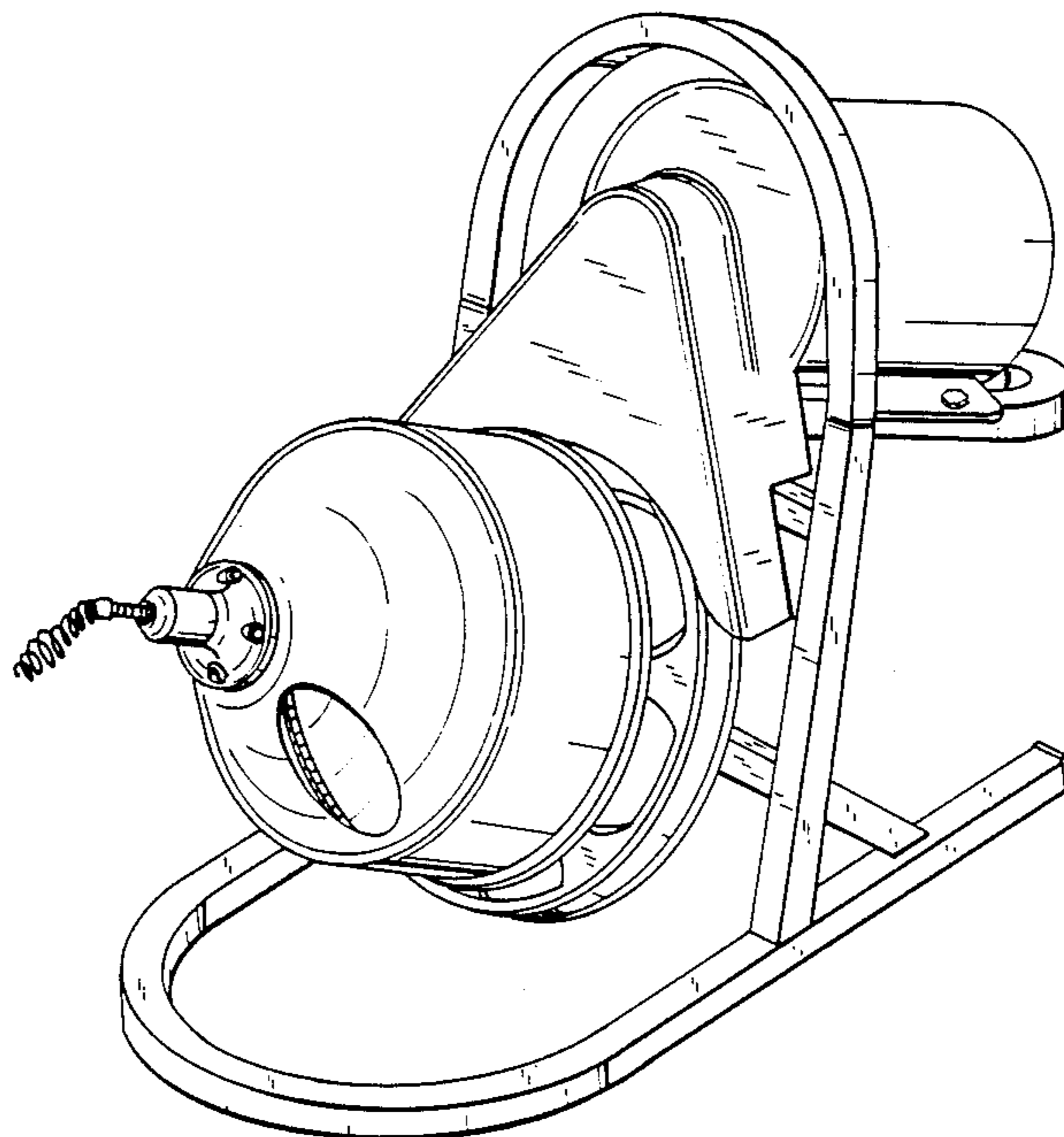
DESCRIPTION

FIG. 1 is a front perspective view of a portable rotating drain cleaner showing our new design; FIG. 2 is a top plan view thereof; FIG. 3 is a bottom plan view thereof; FIG. 4 is a right side elevational view thereof; FIG. 5 is a left side elevational view thereof; FIG. 6 is a front elevational view thereof; and FIG. 7 is a rear elevational view thereof. The electric cord in FIGS. 2-7 is shown broken away for ease of illustration and is understood to represent indeterminate length.

[56] References Cited

U.S. PATENT DOCUMENTS

D. 189,840	3/1961	Hunt	D32/14
D. 198,833	8/1964	O'Neill	D32/14
D. 271,436	11/1983	Babb et al.	D32/14
D. 298,071	10/1988	Irwin	D32/14
2,266,126	12/1941	Malsbary et al.	259/4
3,025,547	3/1962	Ciaccio	15/104.3
3,048,870	8/1962	Criscuolo	15/104.3
3,162,878	12/1964	Agostino	15/104.3
3,370,599	2/1968	Ciaccio	134/167



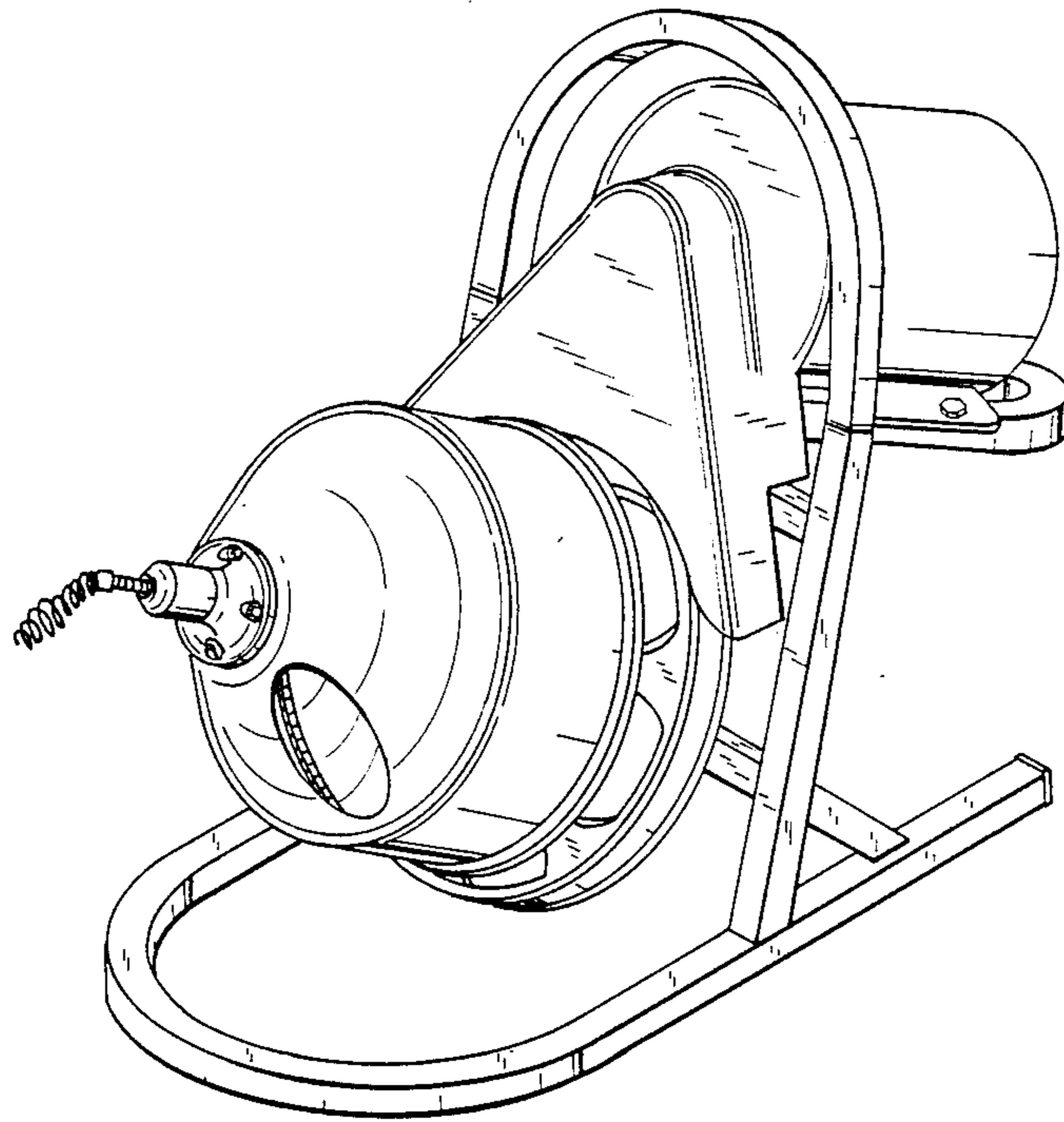


FIG. 1

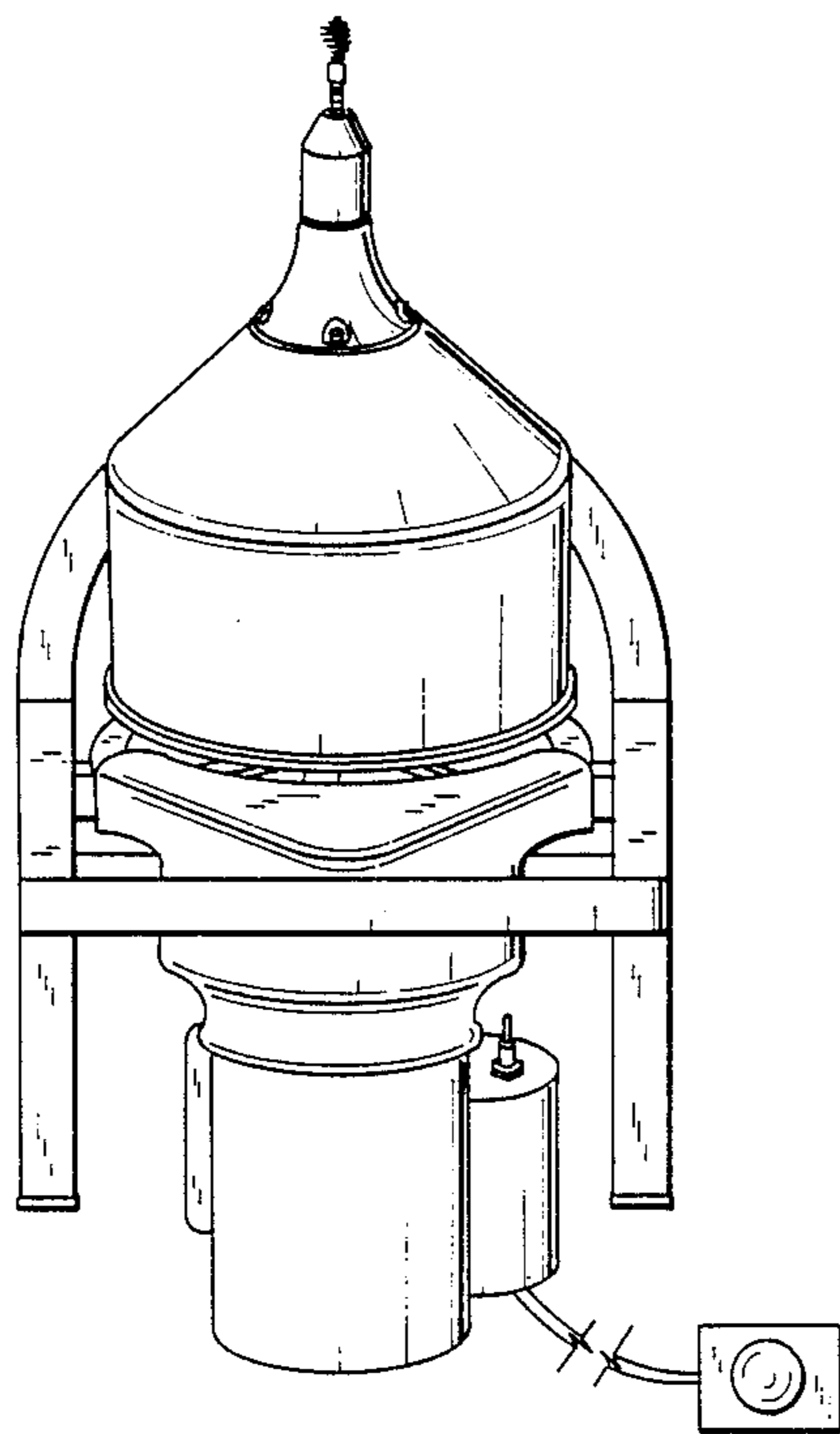


FIG. 2

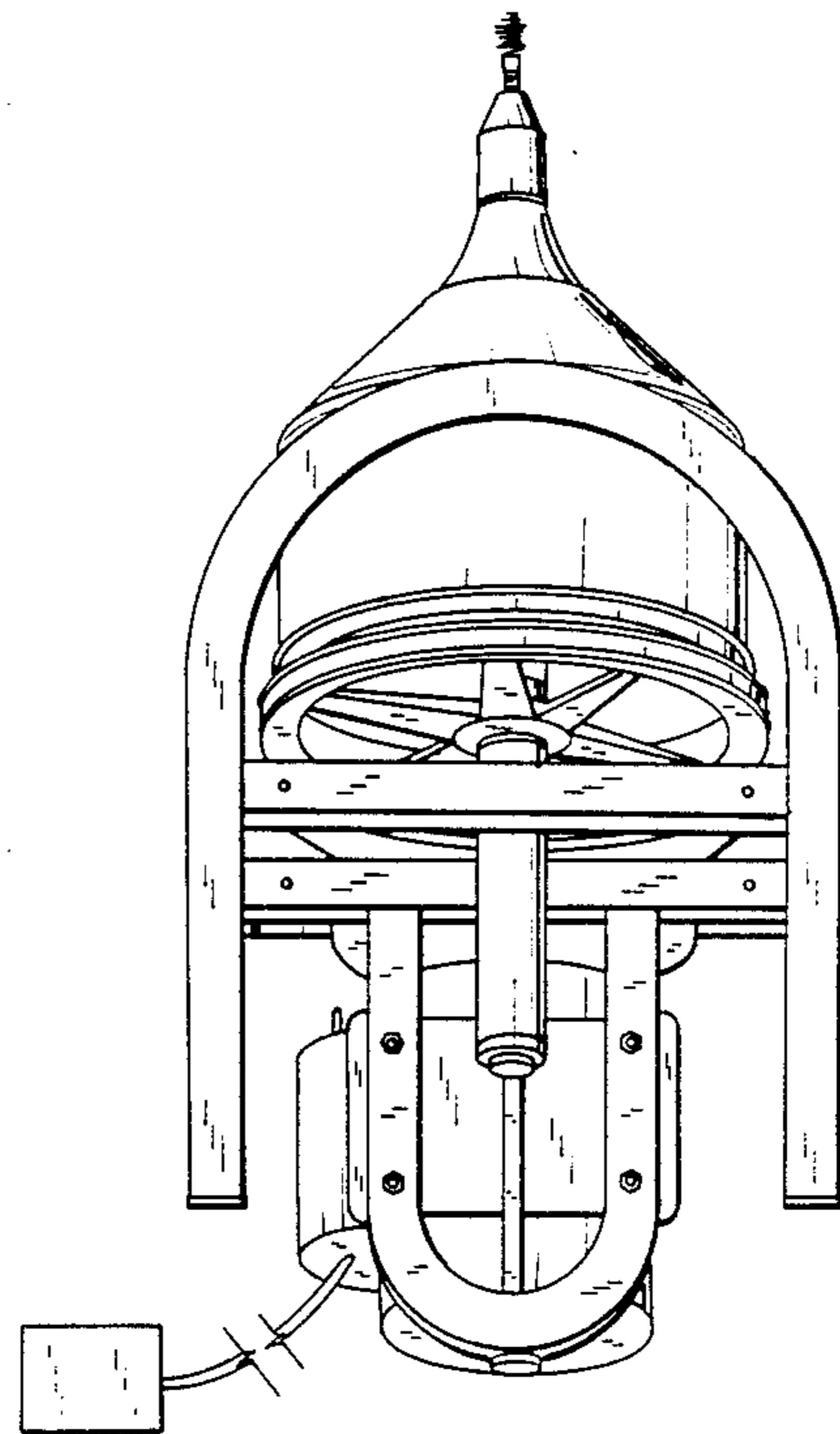


FIG. 3

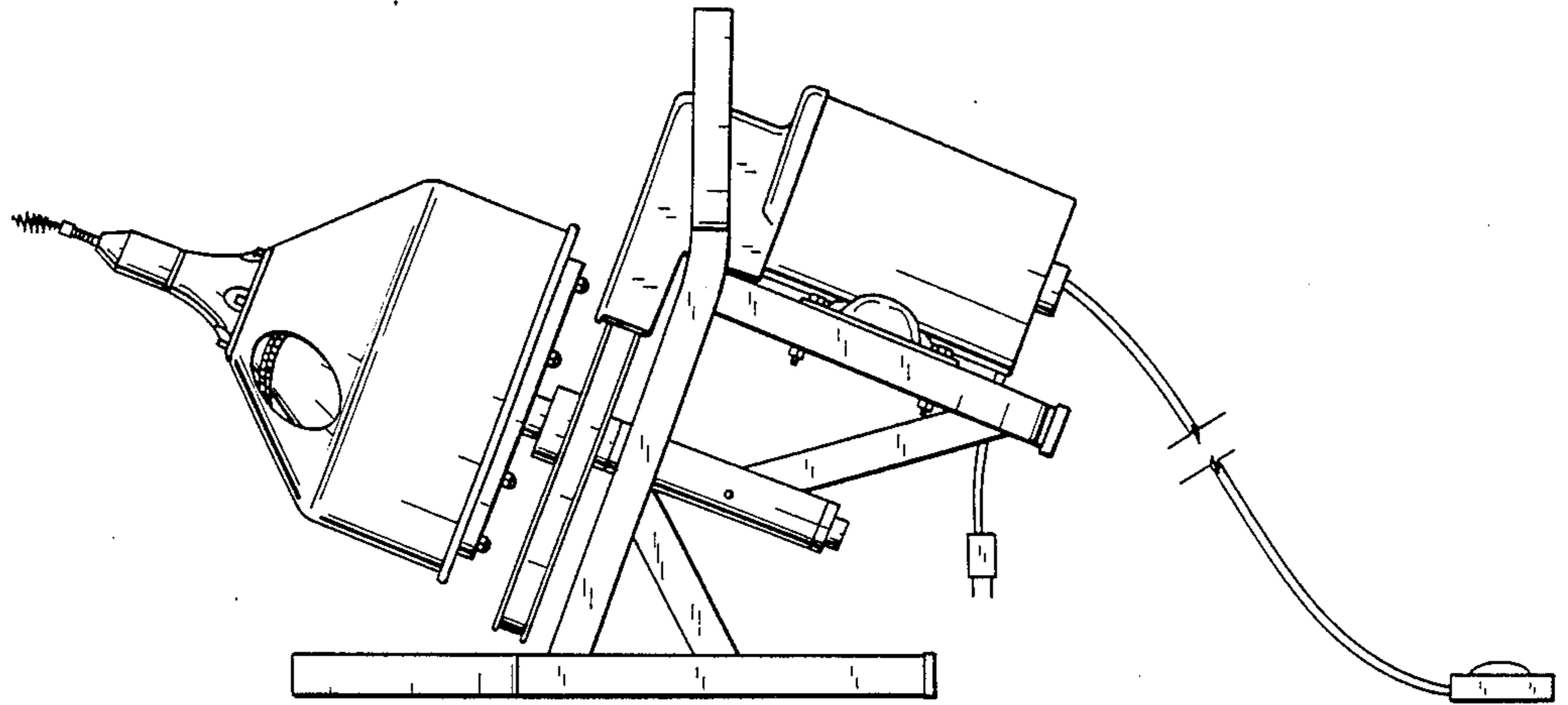


FIG. 4

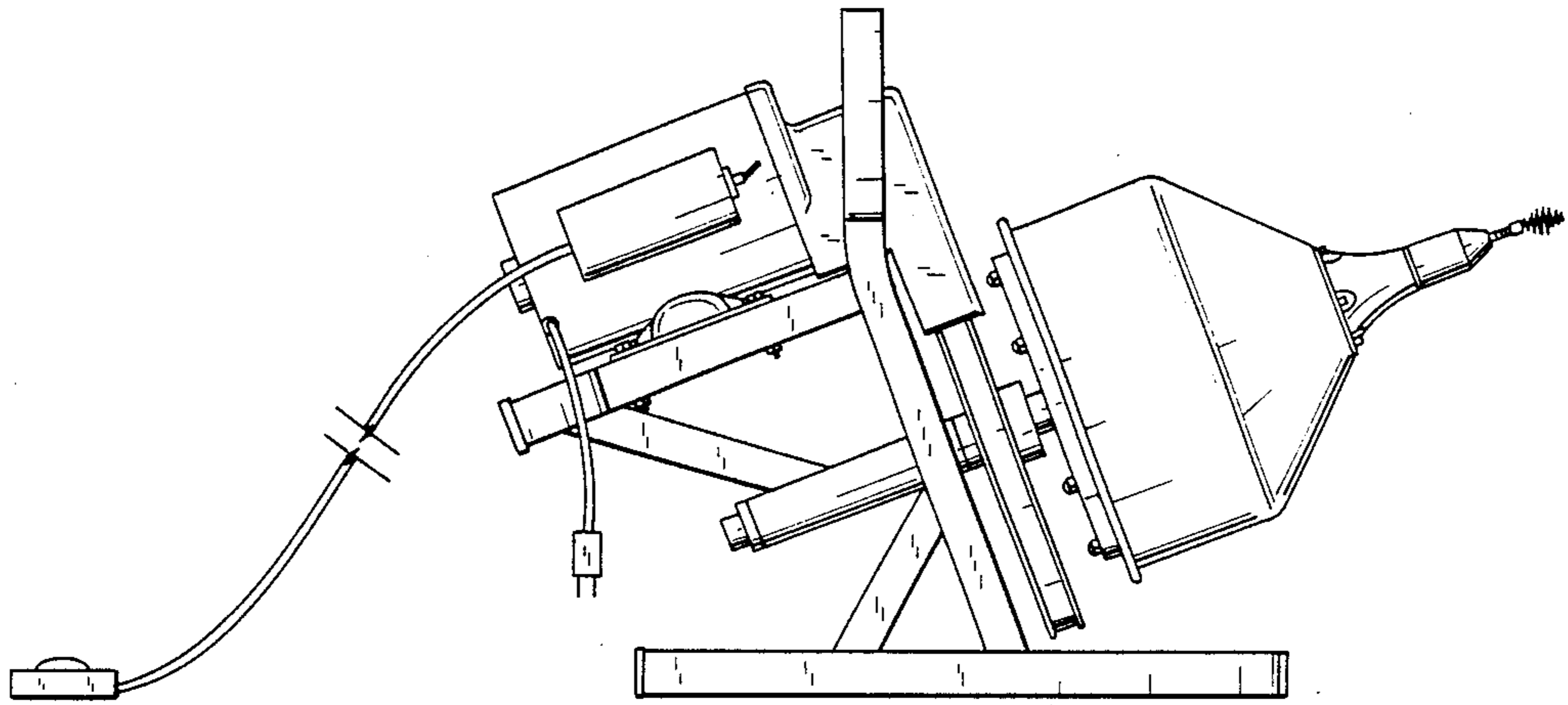


FIG. 5

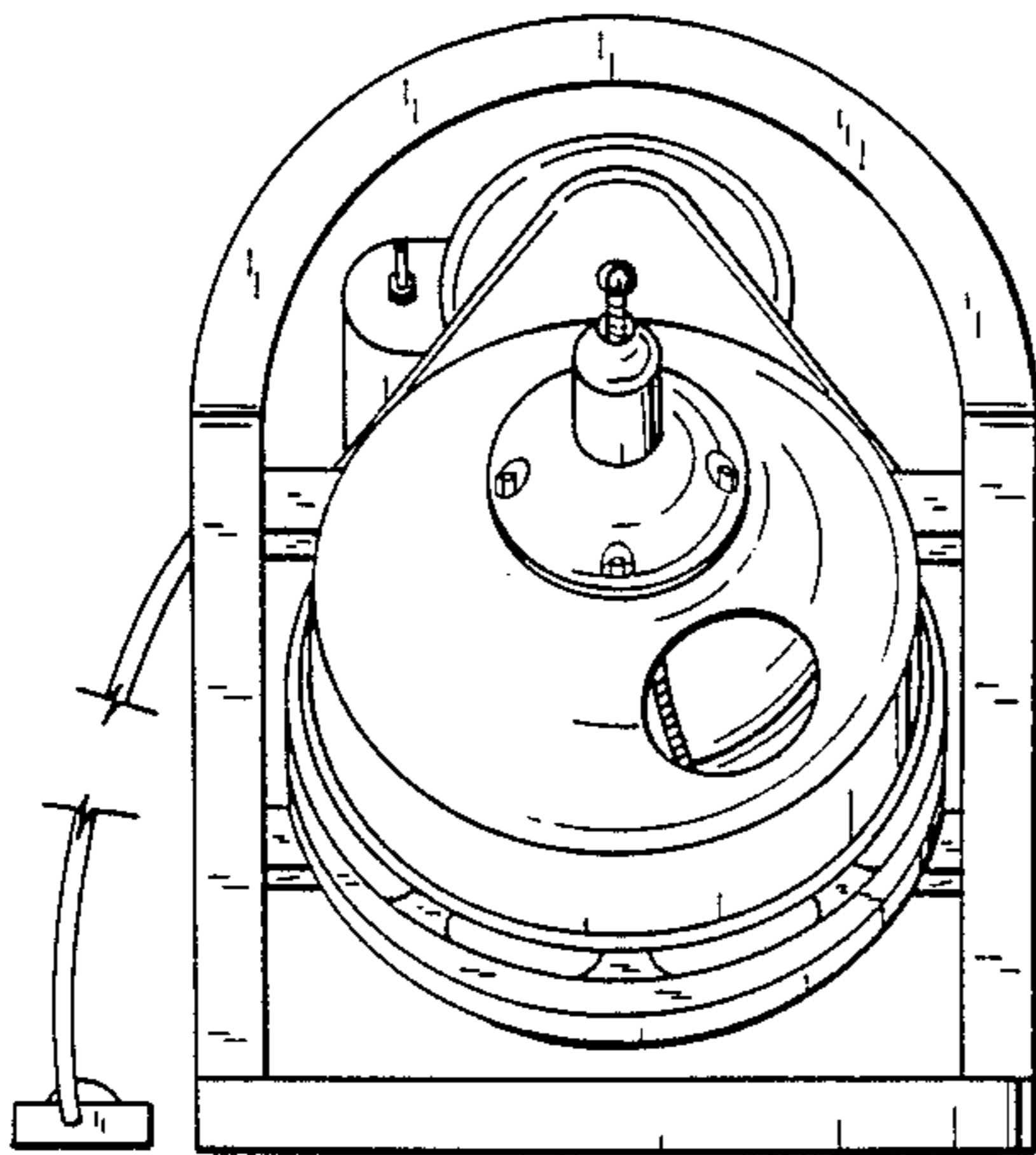


FIG. 6

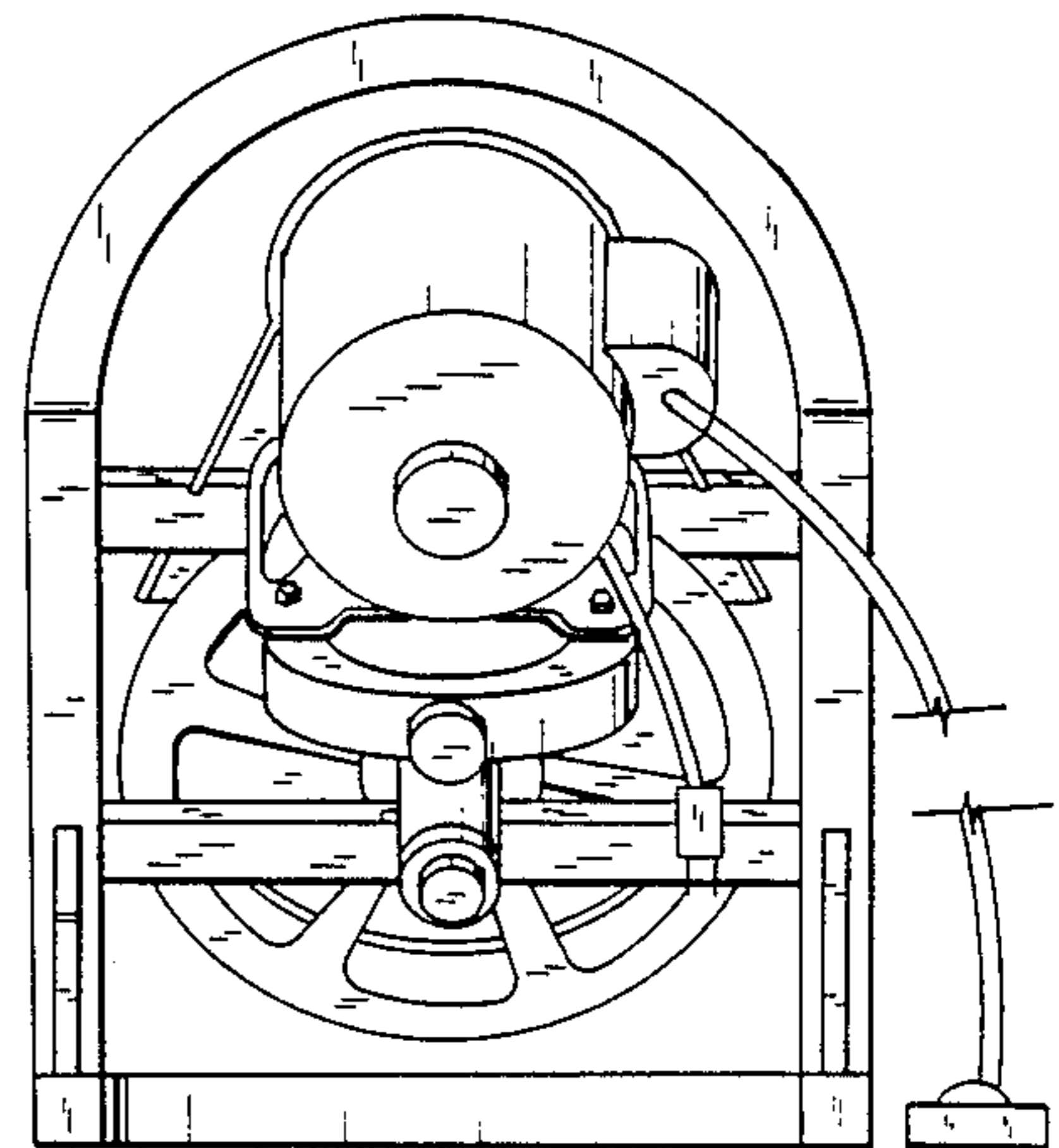


FIG. 7