

[54] WALL-MOUNTED HAIR DRYER

[75] Inventor: Allen F. Eberts, Batavia, Ill.

[73] Assignee: The TonJon Company, Aurora, Ill.

[\*\*] Term: 14 Years

[21] Appl. No.: 250,483

[22] Filed: Sep. 28, 1988

[52] U.S. Cl. .... D28/12

[58] Field of Search ..... D28/12-18;  
34/96-101; 219/366-373, 222

[56] References Cited

U.S. PATENT DOCUMENTS

- D. 269,819 7/1983 Froidevaux ..... D28/12
- D. 276,660 12/1984 Glicksman ..... D28/15
- D. 292,237 10/1987 Rubin ..... D28/12
- D. 304,096 10/1989 Nithardt ..... D28/12

Primary Examiner—Bernard Ansher

Assistant Examiner—C. Tuttle

Attorney, Agent, or Firm—Neuman, Williams, Anderson & Olson

[57] CLAIM

The ornamental design for a wall-mounted hair dryer, as shown and described.

DESCRIPTION

FIG. 1 is a front perspective view of a wall-mounted hair dryer showing my new design;  
 FIG. 2 is a front elevational view thereof;  
 FIG. 3 is a right side elevational view thereof;  
 FIG. 4 is a left side elevational view thereof;  
 FIG. 5 is a front perspective view shown with the nozzle portion removed from the base for clarity of illustration;  
 FIG. 6 is a front elevational view thereof;  
 FIG. 7 is a top plan view thereof;  
 FIG. 8 is a bottom plan view thereof; and  
 FIG. 9 is a rear elevational view thereof.

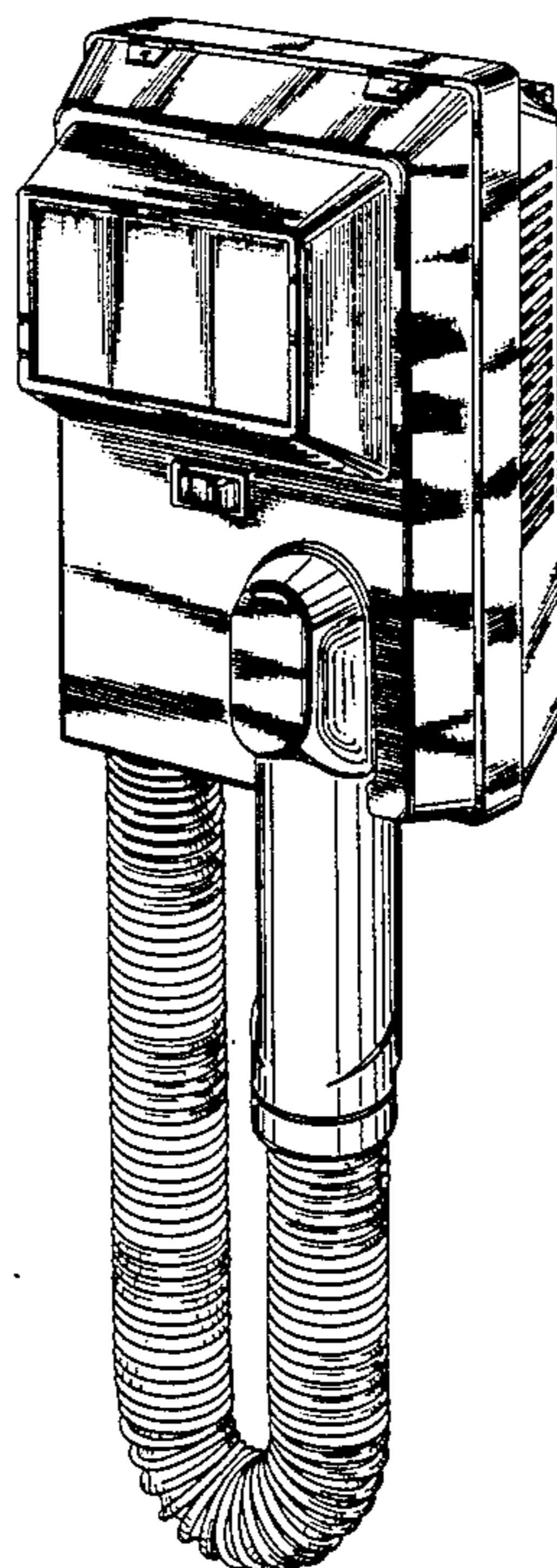


FIG. 1

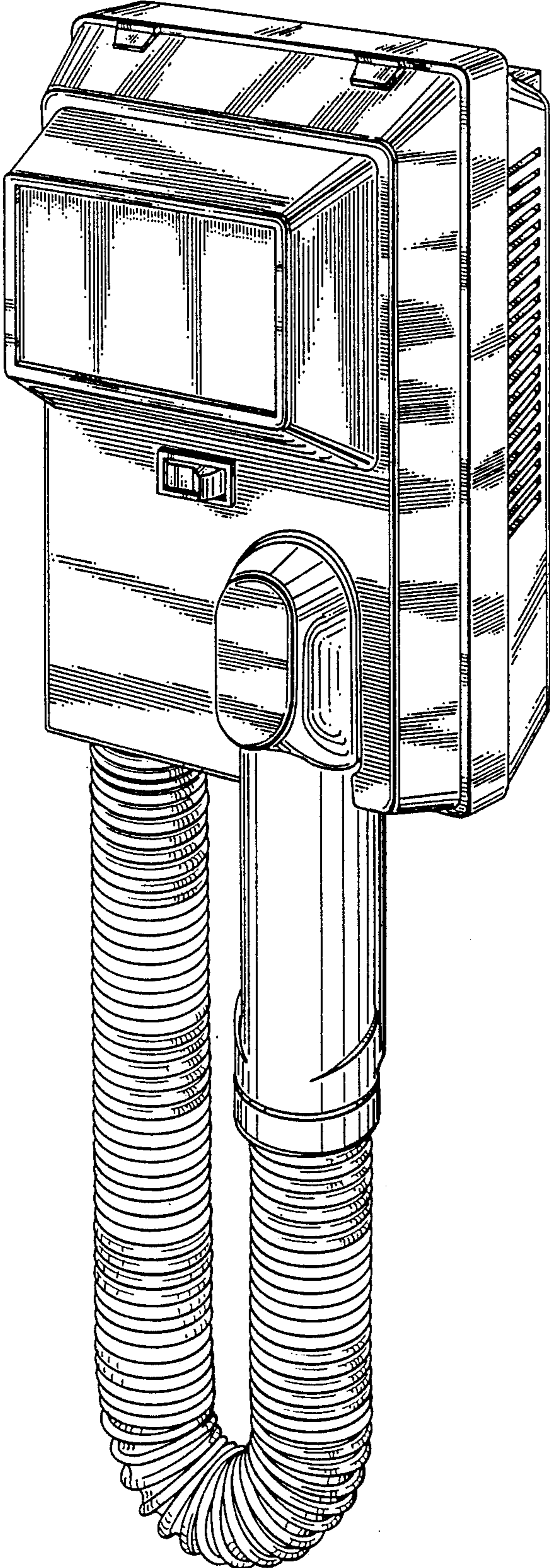


FIG. 4

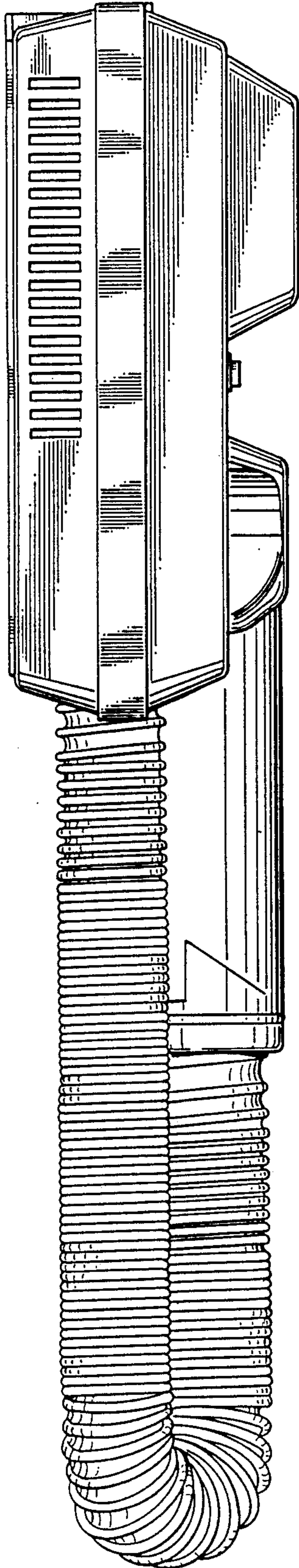


FIG. 2

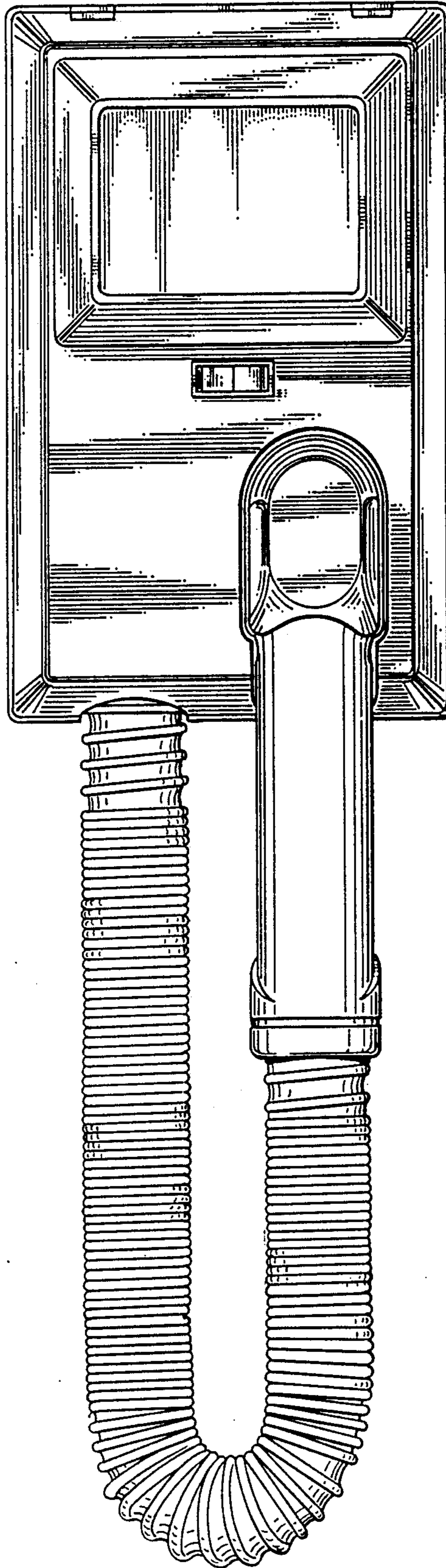


FIG. 3

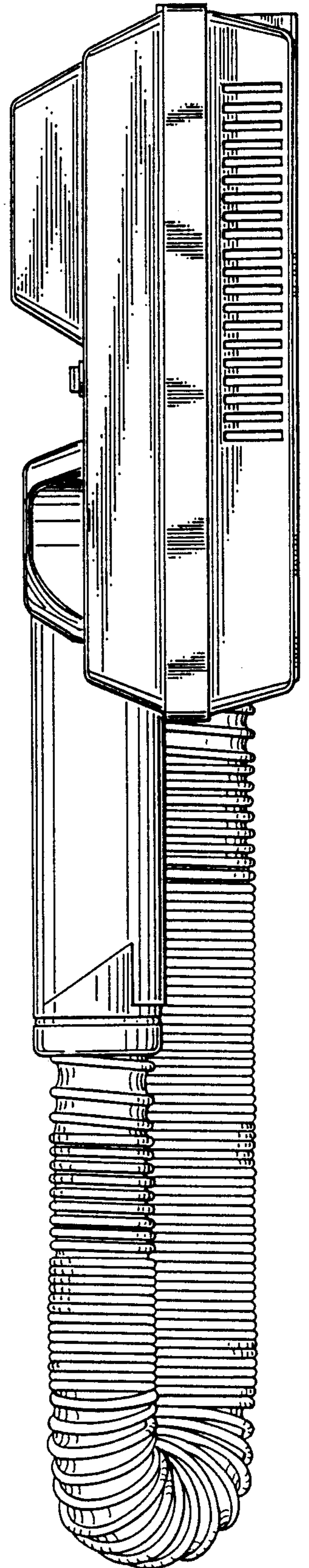


FIG. 5

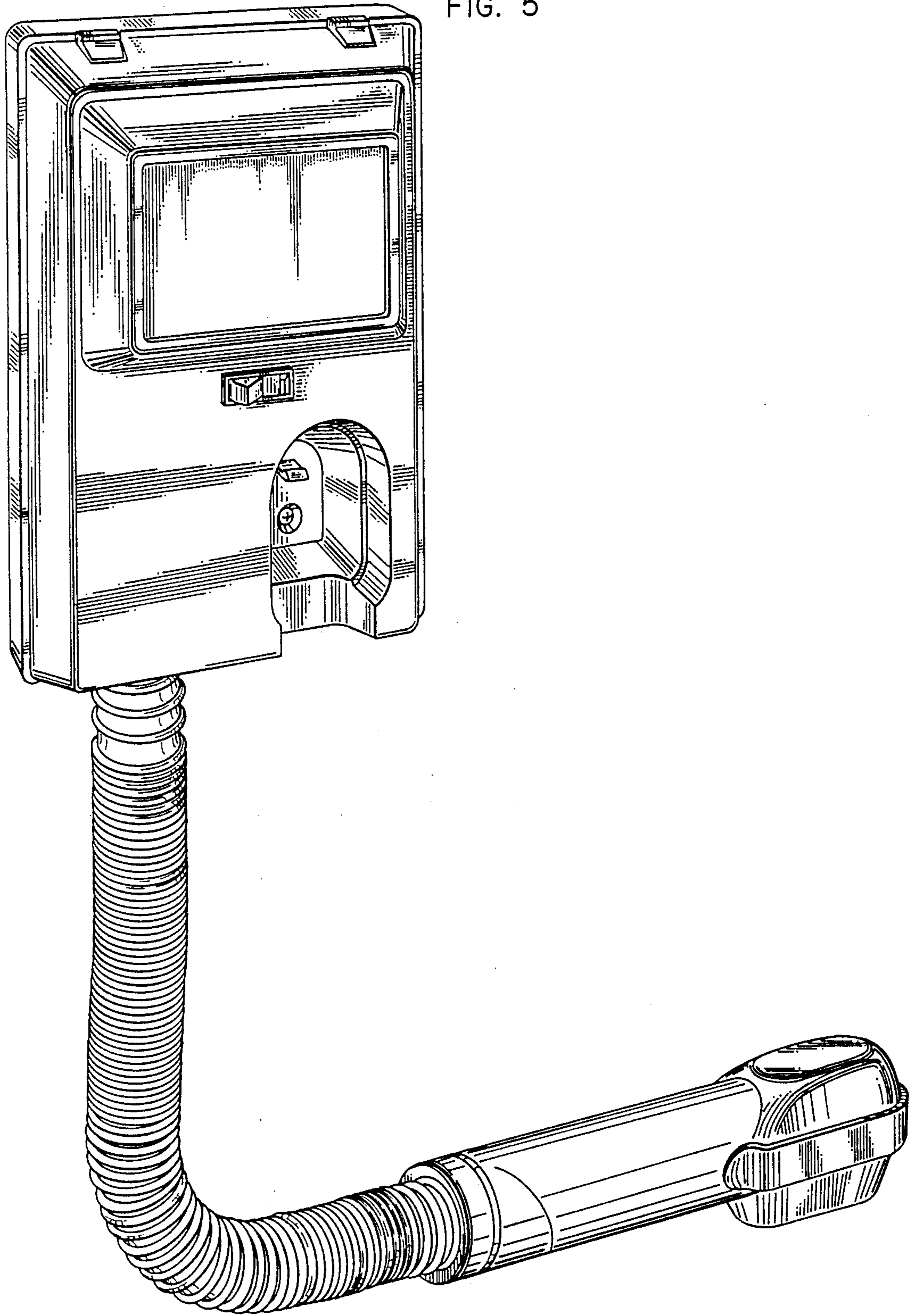


FIG. 6

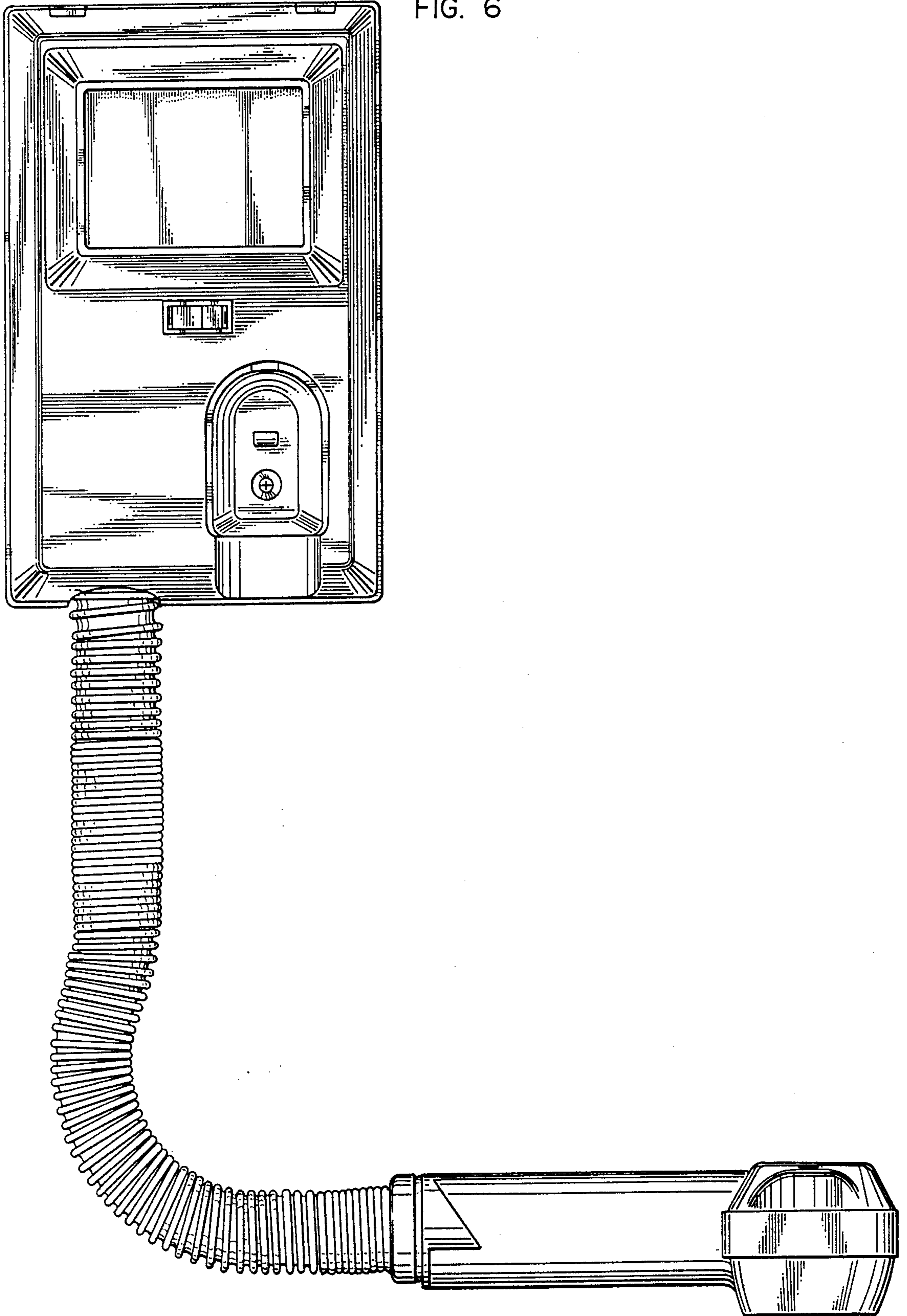


FIG. 7

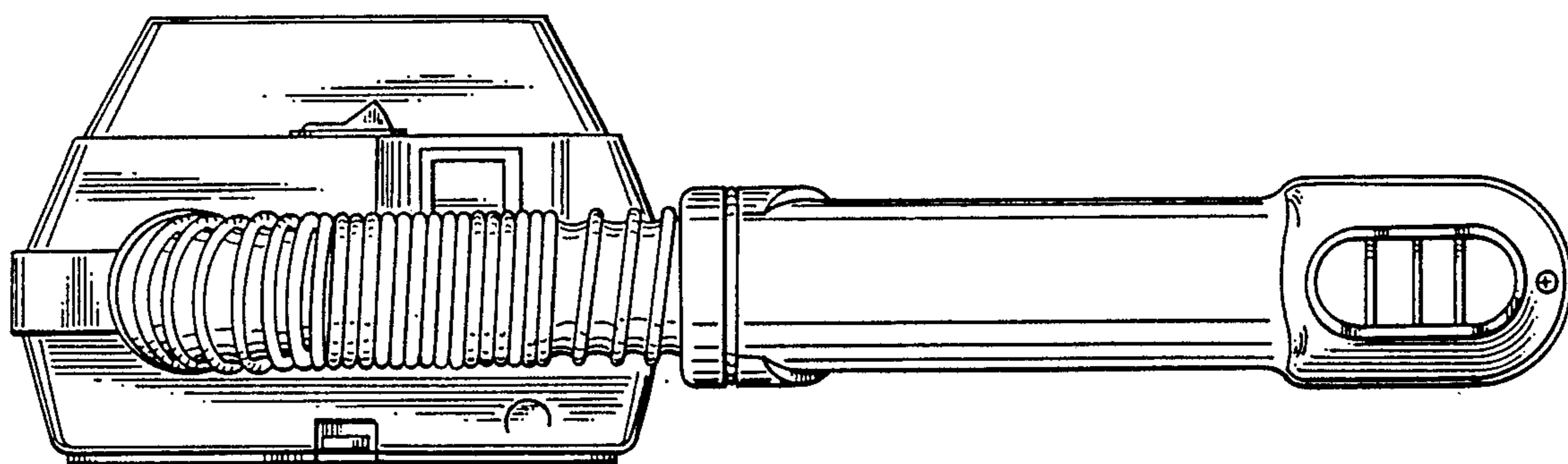
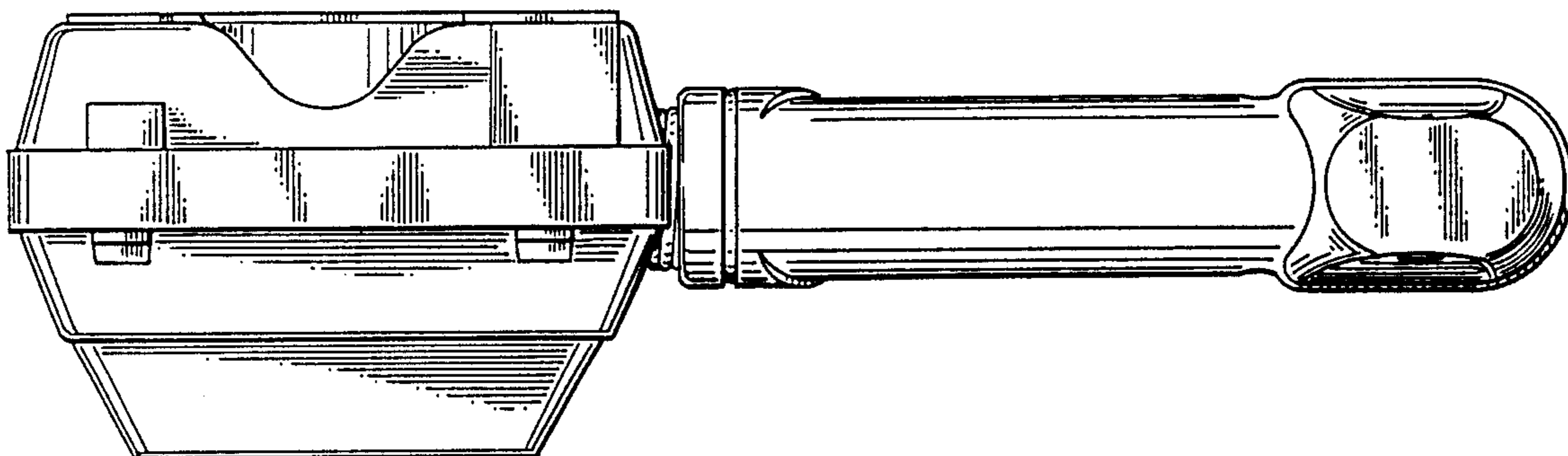


FIG. 8

FIG. 9

