

[54] **ADJUSTABLE LAMP**

[76] **Inventor: Ken Goldner, 323 E. 78th St., New York, N.Y. 10021**

[**] **Term: 14 Years**

[21] **Appl. No.: 201,710**

[22] **Filed: Jun. 1, 1988**

[52] **U.S. Cl. D26/65**

[58] **Field of Search D26/60-65,
D26/93, 102-112; 362/269, 275, 287; 410/413;
411/418; 412/419, 427, 428, 33**

[56] **References Cited**

U.S. PATENT DOCUMENTS

D. 122,711	9/1940	May	D26/63
D. 151,855	11/1948	Nitardy	D26/65
D. 270,377	8/1983	Maguire	D26/63 X
D. 296,479	6/1988	Chan	D26/61
4,302,800	11/1981	Pelletier	362/287 X

FOREIGN PATENT DOCUMENTS

1398079 3/1965 France 362/410

OTHER PUBLICATIONS

Architectural Supplements, Inc. Catalog p. 43, 1982 table lamp #9250.

Primary Examiner—Susan J. Lucas

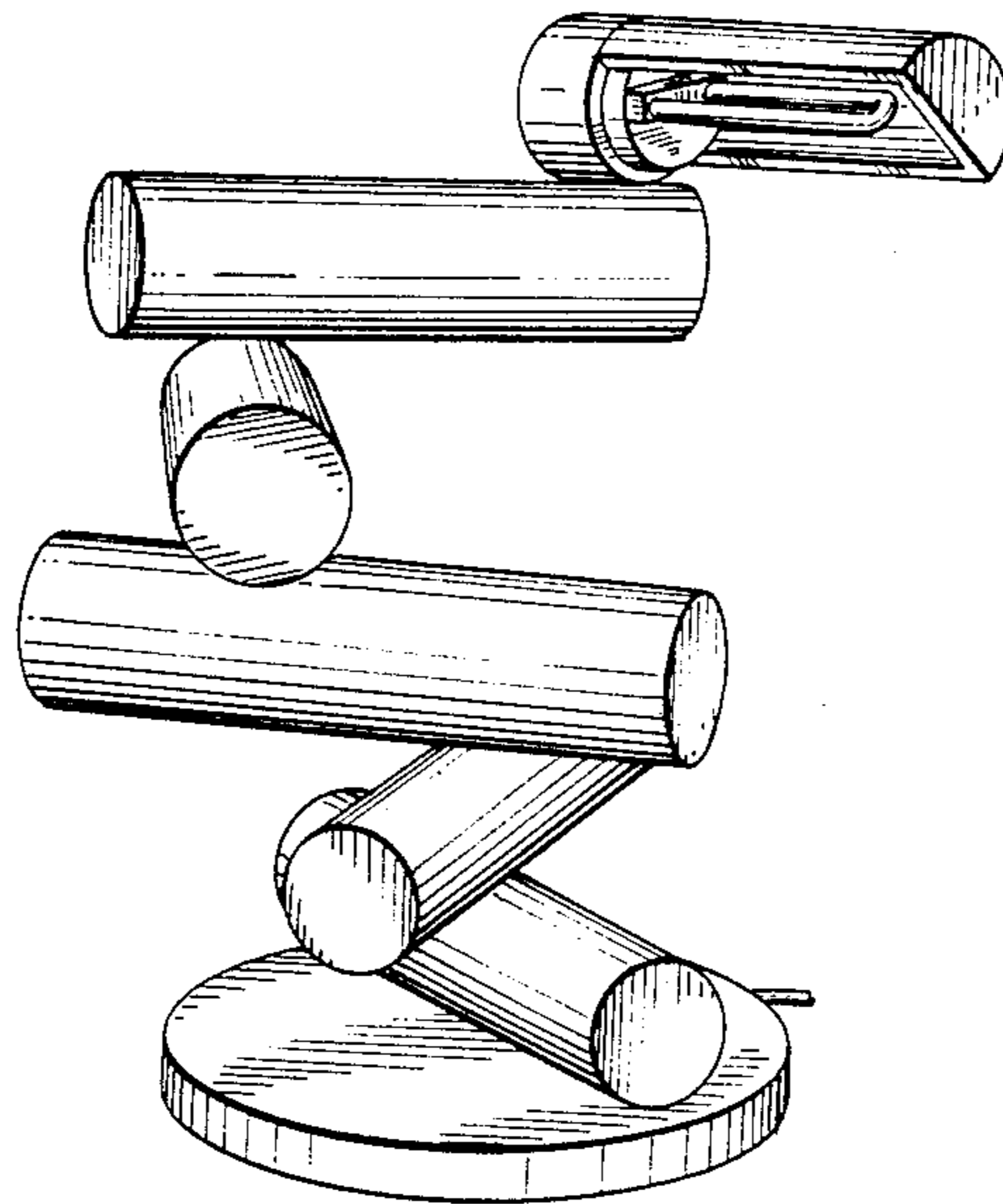
Attorney, Agent, or Firm—Jordan and Hamburg

[57] **CLAIM**

The ornamental design for an adjustable lamp, as shown and described.

DESCRIPTION

FIG. 1 is a front elevational view of an adjustable lamp showing my new design;
FIG. 2 is a top plan view thereof;
FIG. 3 is a left side elevational view thereof;
FIG. 4 is a right side elevational view thereof;
FIG. 5 is a bottom plan view thereof; and
FIG. 6 is a perspective view thereof with the lamp sections in pivotally moved positions and the lamp shade of the uppermost lamp section in a rotationally moved position.



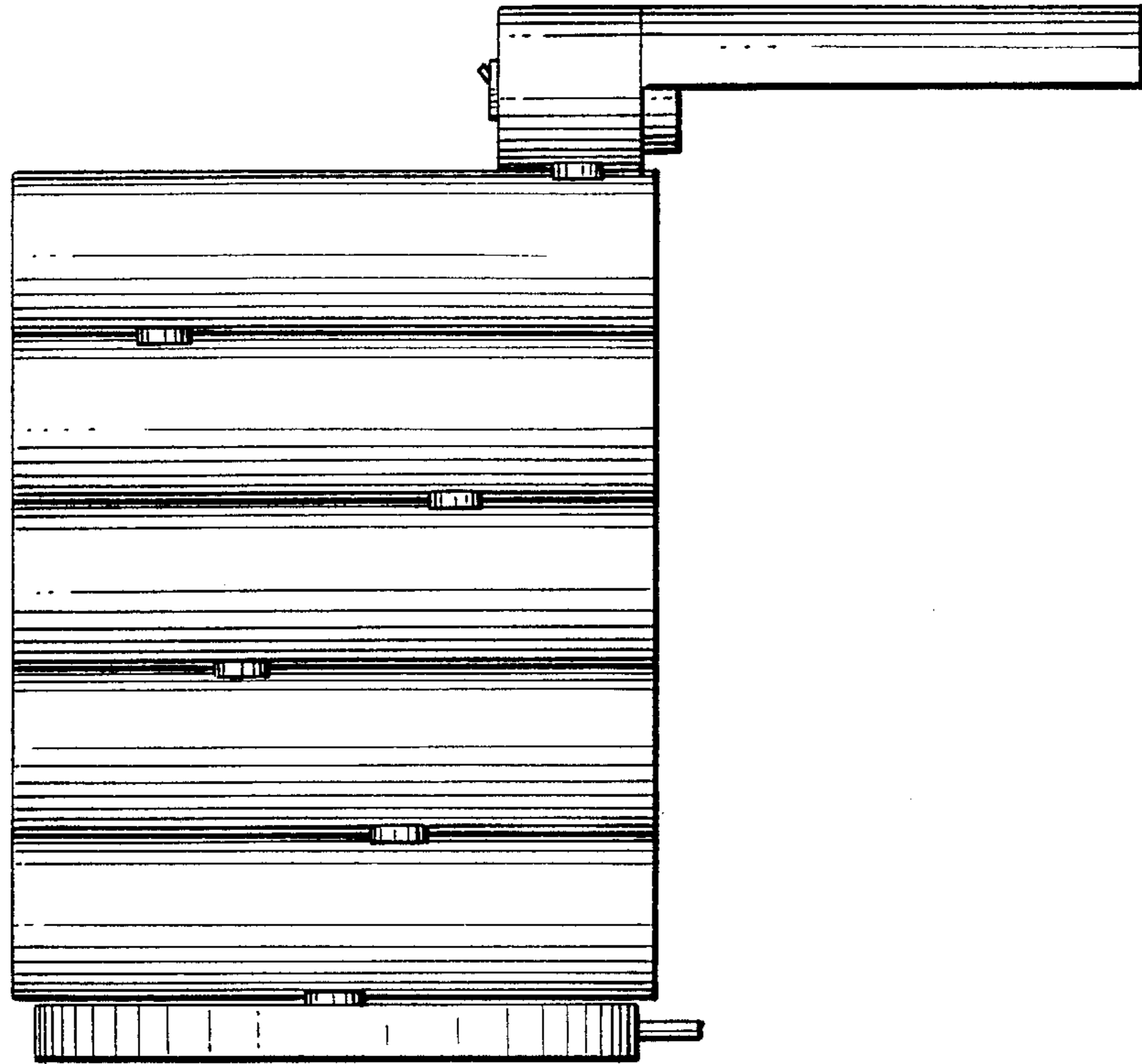


FIG. 1

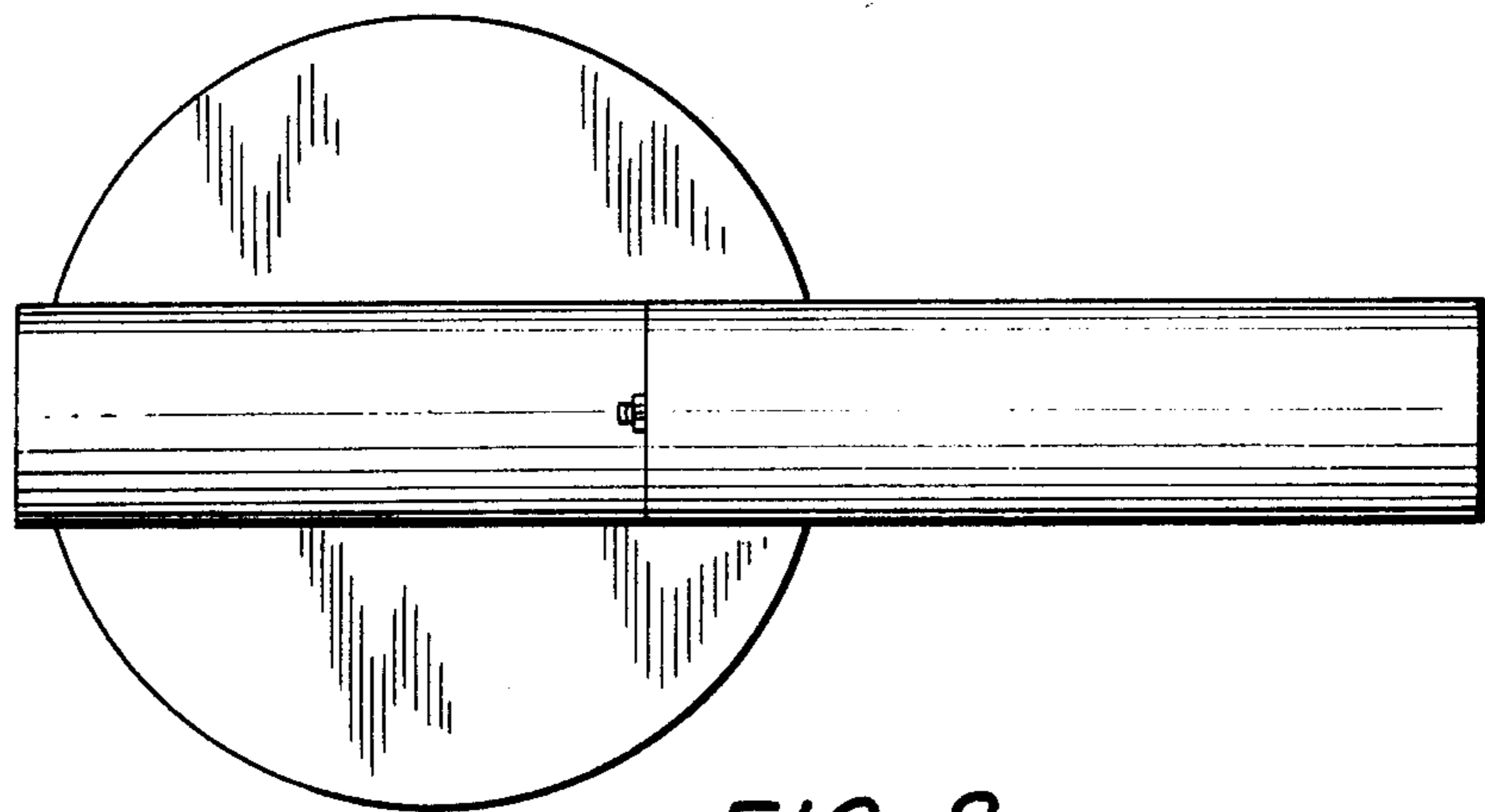


FIG. 2

FIG. 3

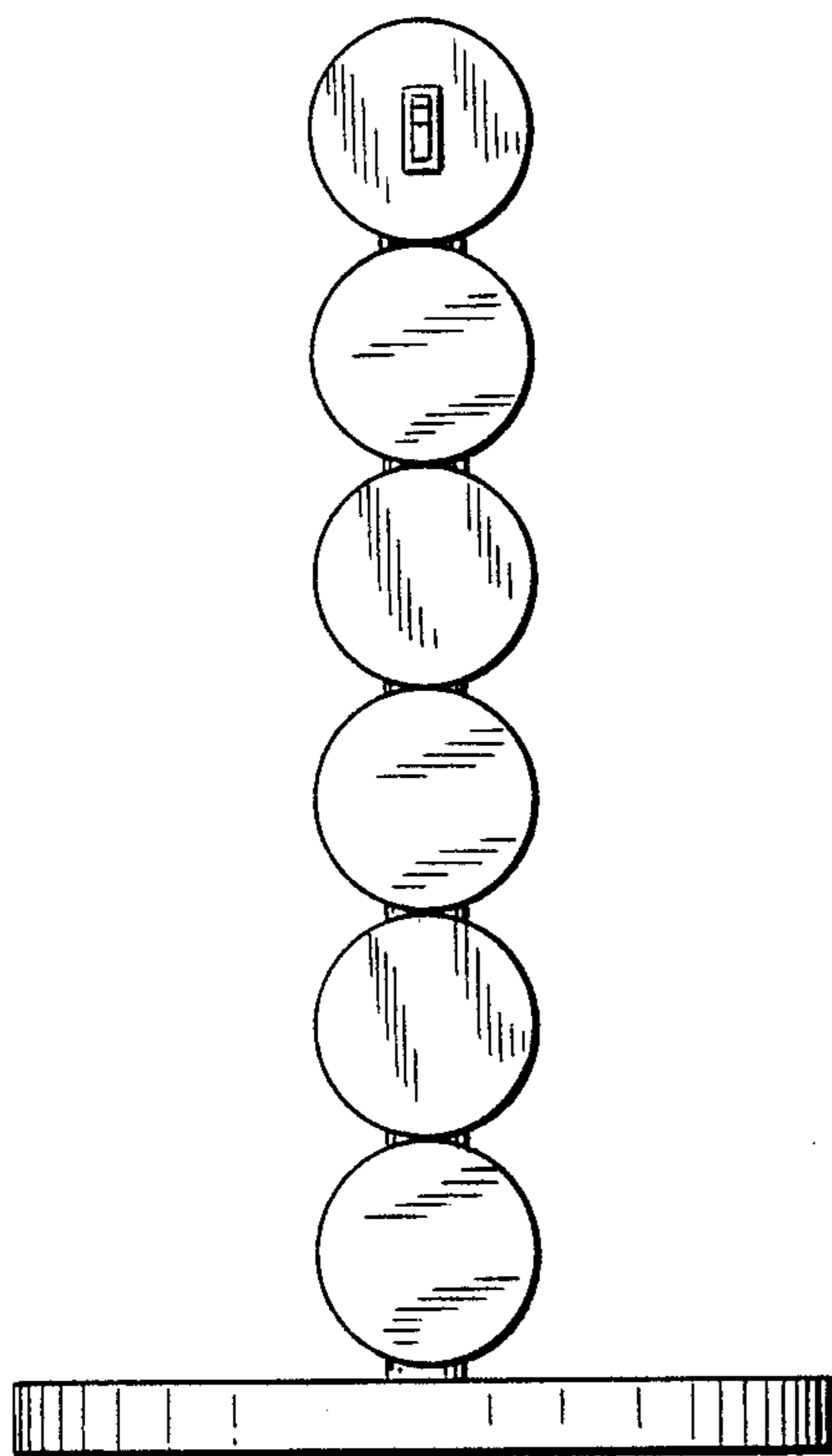
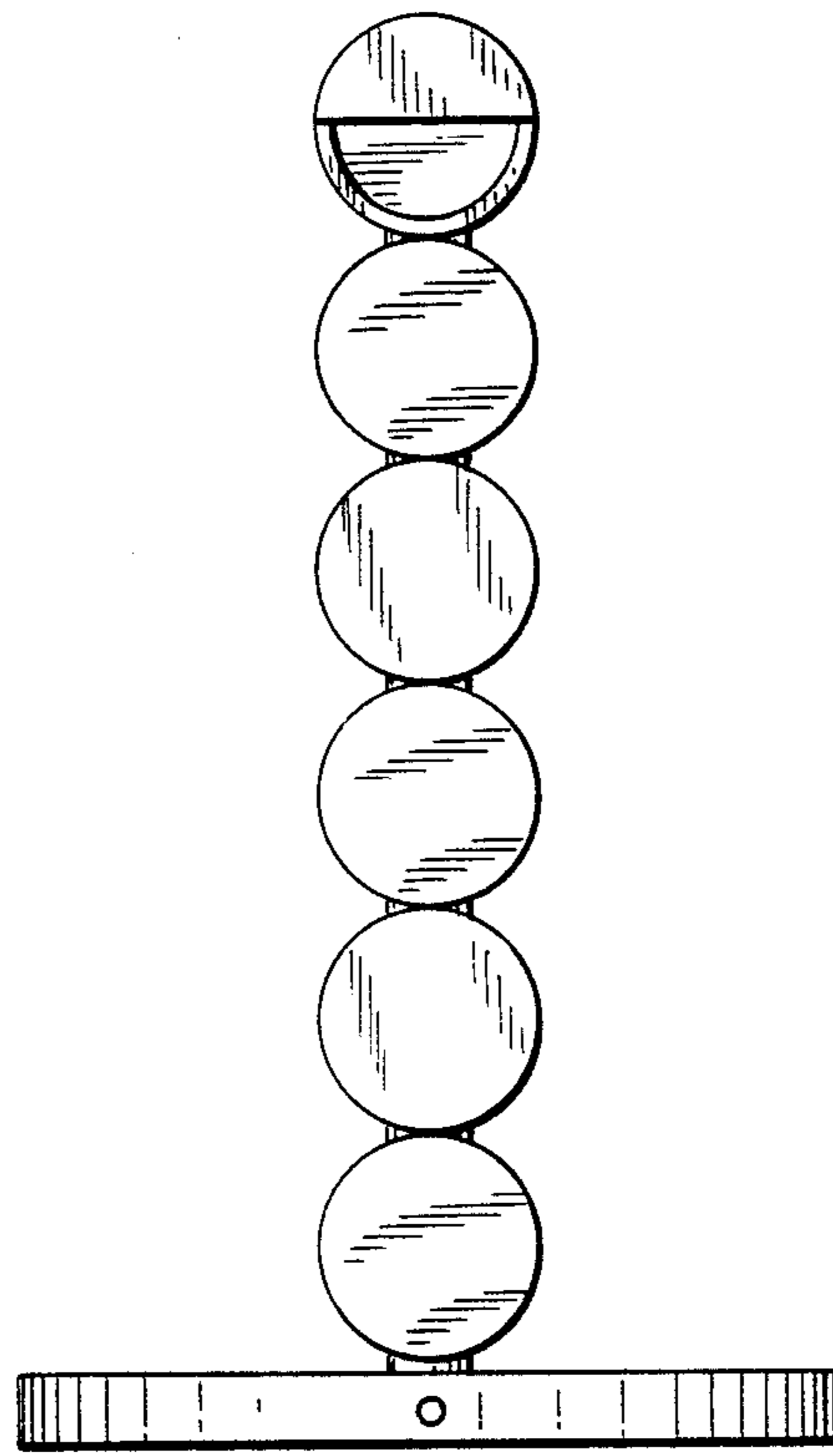


FIG. 4



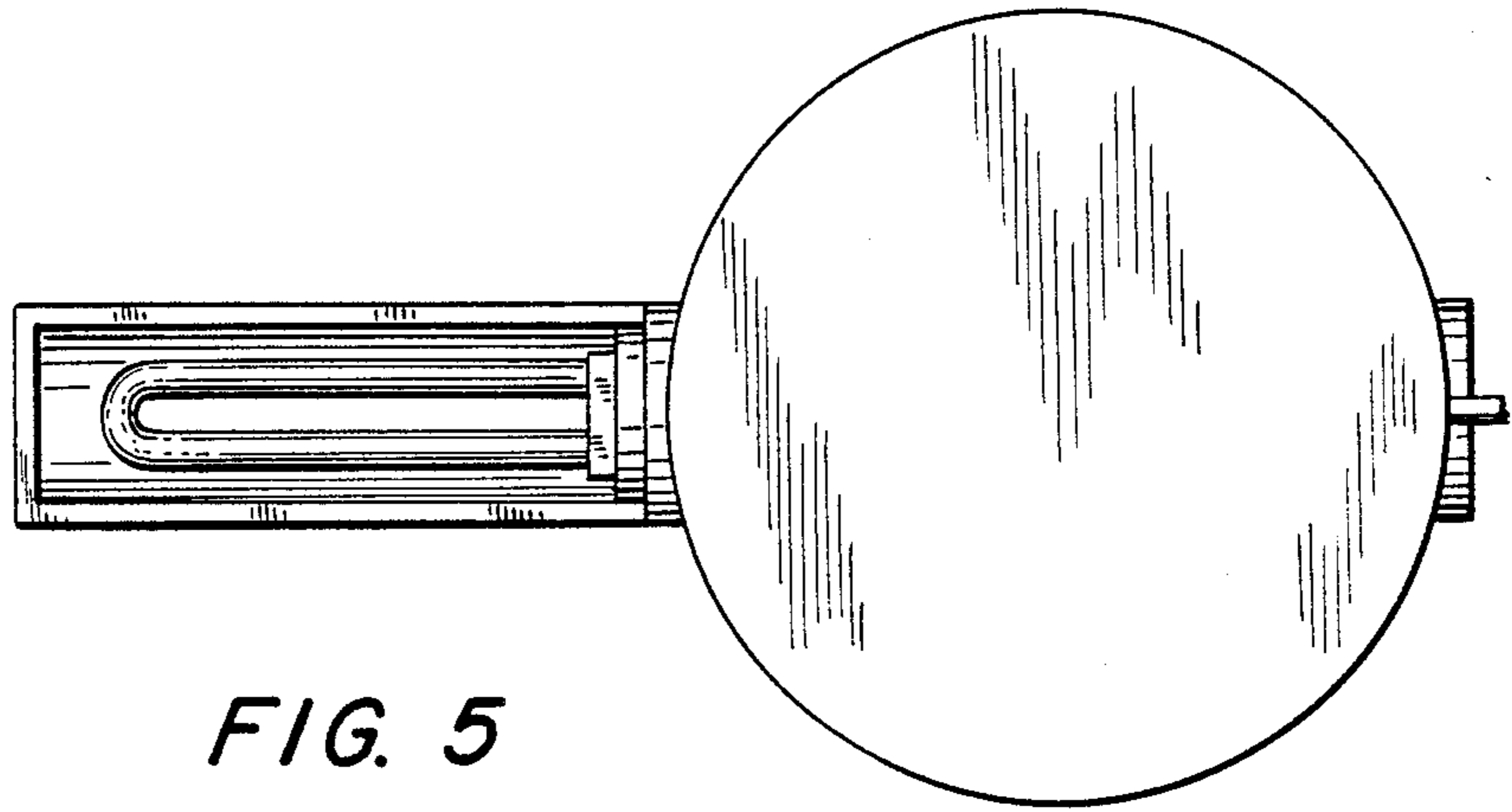


FIG. 5

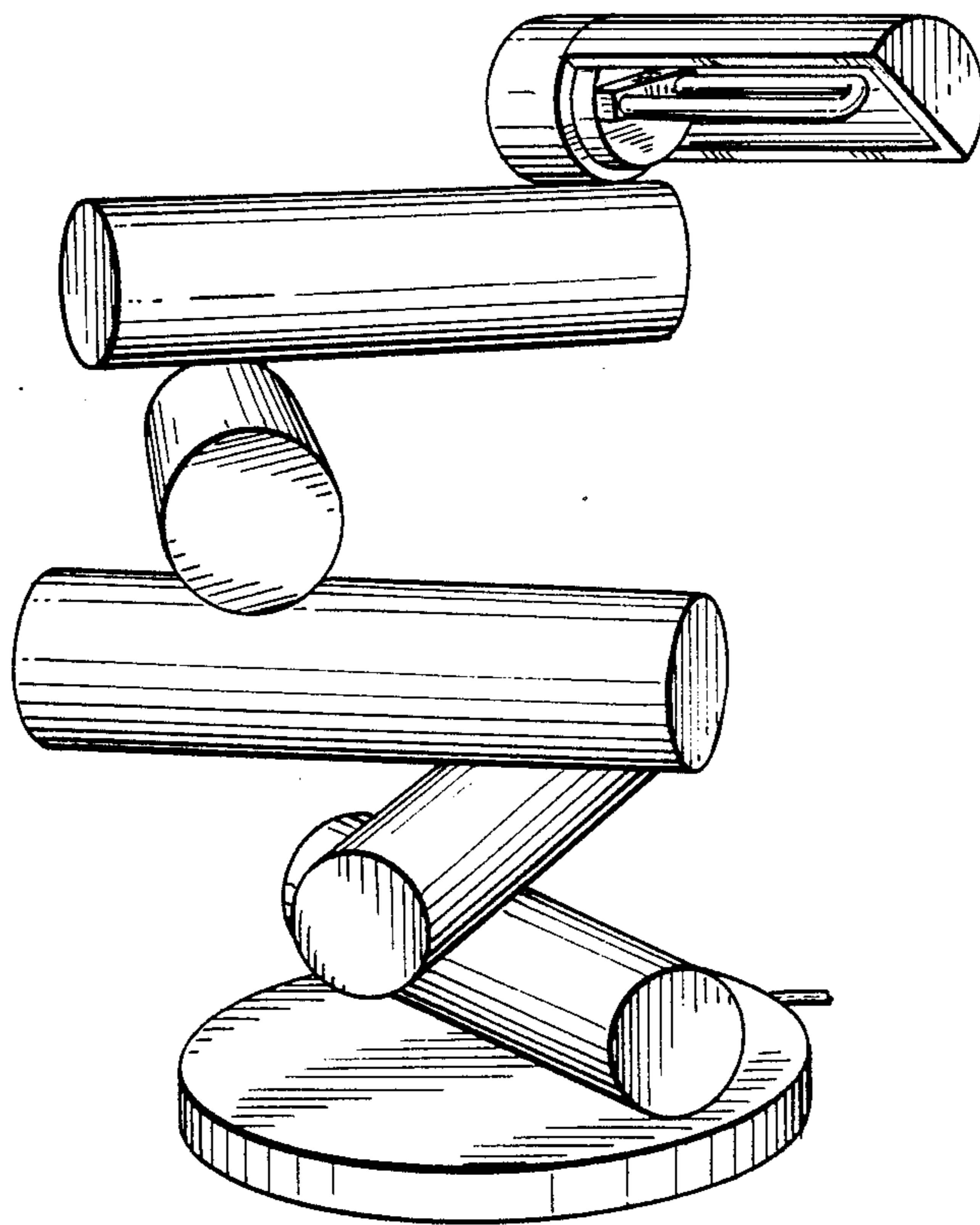


FIG. 6