

[54] HINGED LAMP

[75] Inventor: Ludovico Magistretti, Milan, Italy

[73] Assignee: Diver Viss S.r.l., Italy

[**] Term: 14 Years

[21] Appl. No.: 159,060

[22] Filed: Feb. 22, 1988

[30] Foreign Application Priority Data

Aug. 27, 1987 [IT] Italy 222198/87[U]

[52] U.S. Cl. D26/65

[58] Field of Search D26/93, 102-112,
D26/60-66; 362/410-414, 269, 418, 419, 427,
428, 429, 401, 402

[56] References Cited

U.S. PATENT DOCUMENTS

- D. 166,986 6/1952 Lordo D26/64
- D. 284,108 6/1986 Bonetto D26/65
- D. 296,480 6/1988 Engle D26/62
- D. 303,358 9/1989 Kyricos D26/65

3,409,767 11/1968 Entwistle D26/65 X

OTHER PUBLICATIONS

Aritare, 7-8-1984, p. 43, Adjustable Lamp.

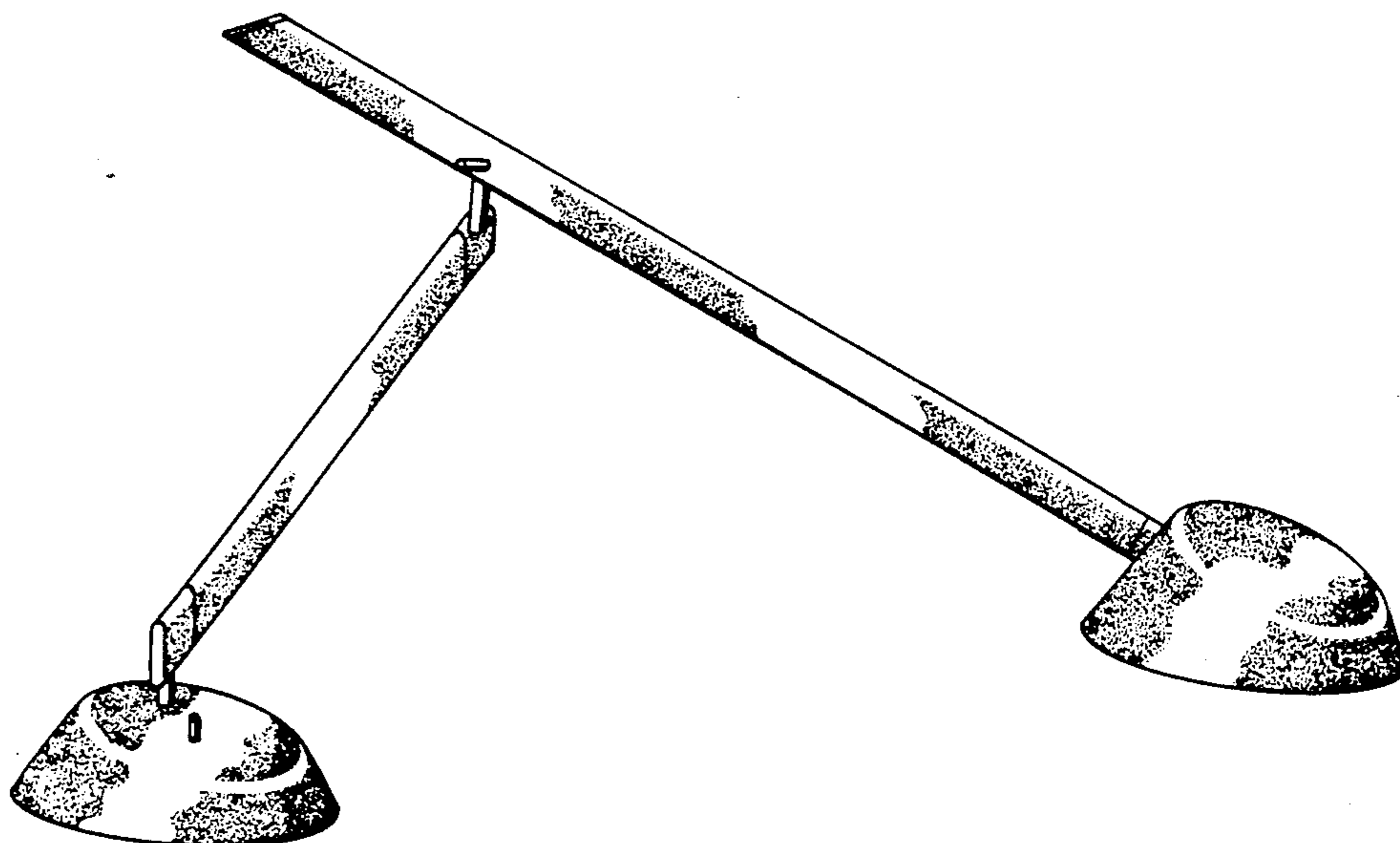
Primary Examiner—Susan J. Lucas
Attorney, Agent, or Firm—Eckert Seamans Cherin &
Mellott

[57] CLAIM

The ornamental design for a hinged lamp, as shown and described.

DESCRIPTION

FIG. 1 is a top, front, right side perspective view of a hinged lamp showing my new design;
FIG. 2 is a top, front, perspective view thereof in an alternate position;
FIG. 3 is a right side elevational view thereof in an alternate position, the left side being a mirror image.
FIG. 4 is a top plan view thereof;
FIG. 5 is a bottom plan view thereof;
FIG. 6 is a front elevational view thereof; and
FIG. 7 is a rear perspective view thereof.



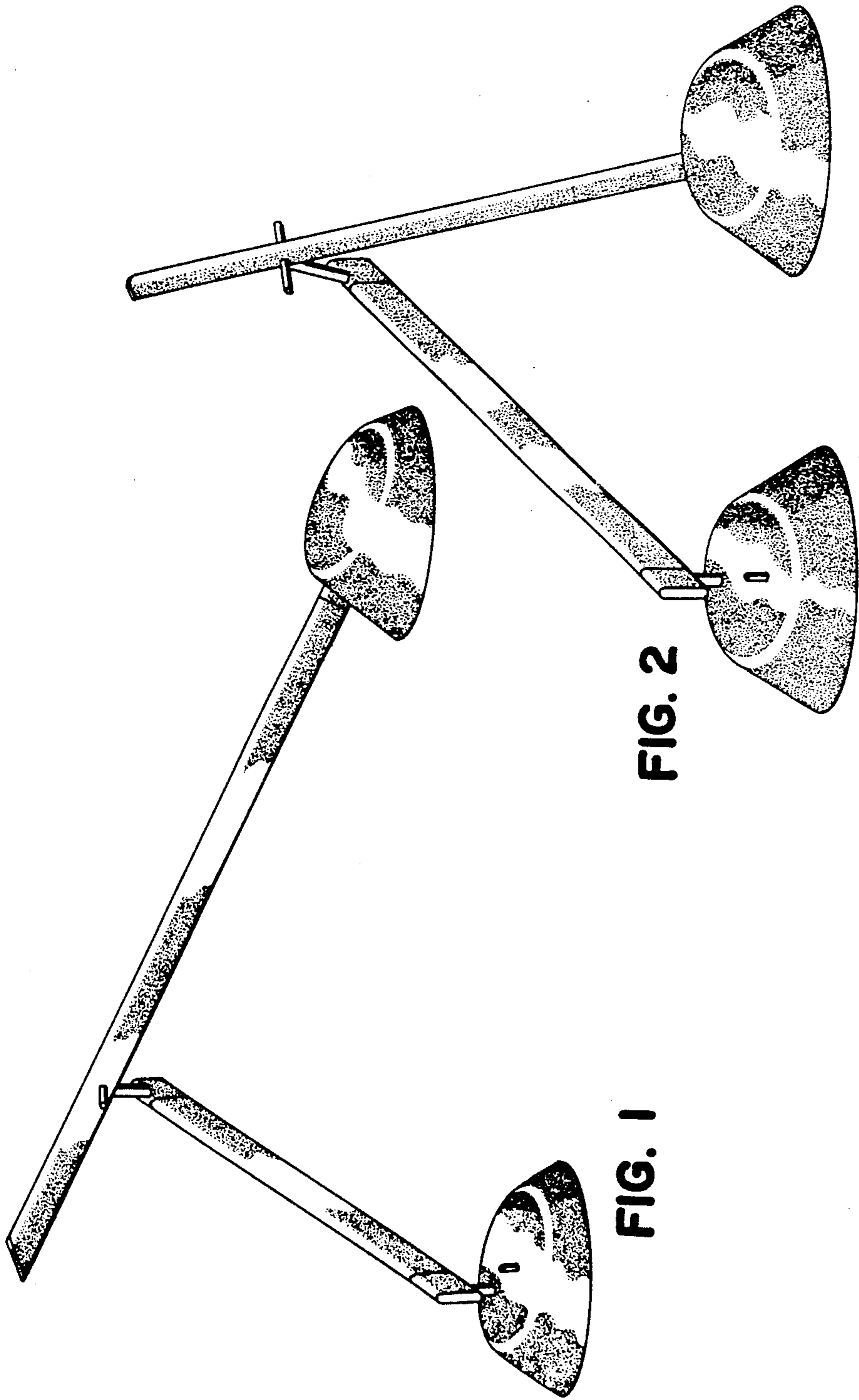


FIG. 1

FIG. 2

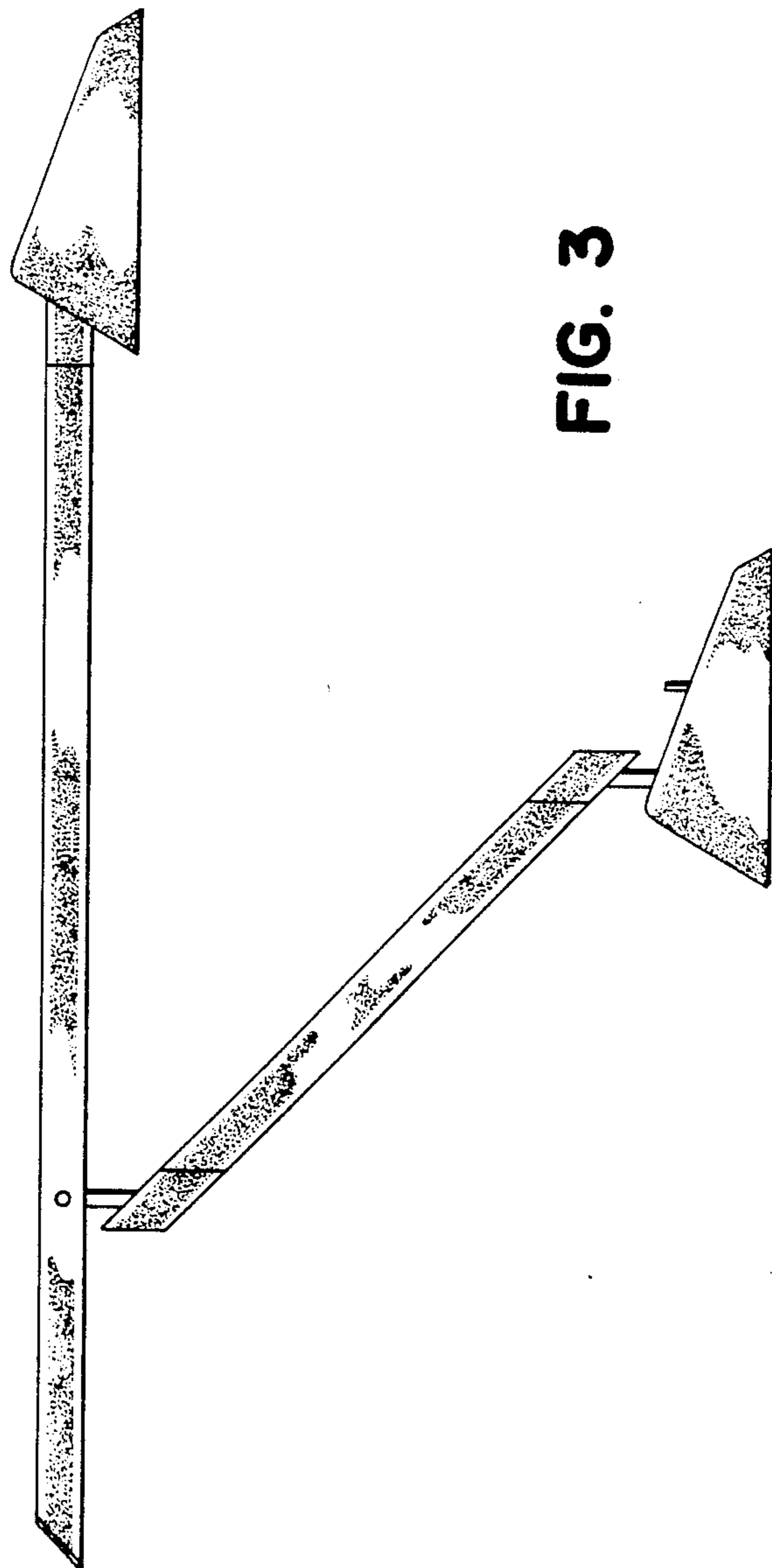


FIG. 3

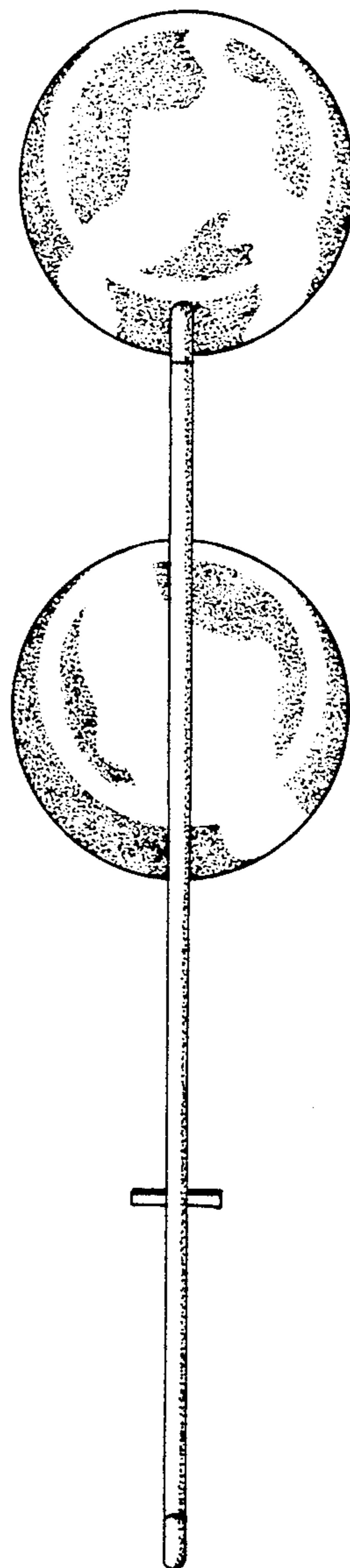


FIG. 4

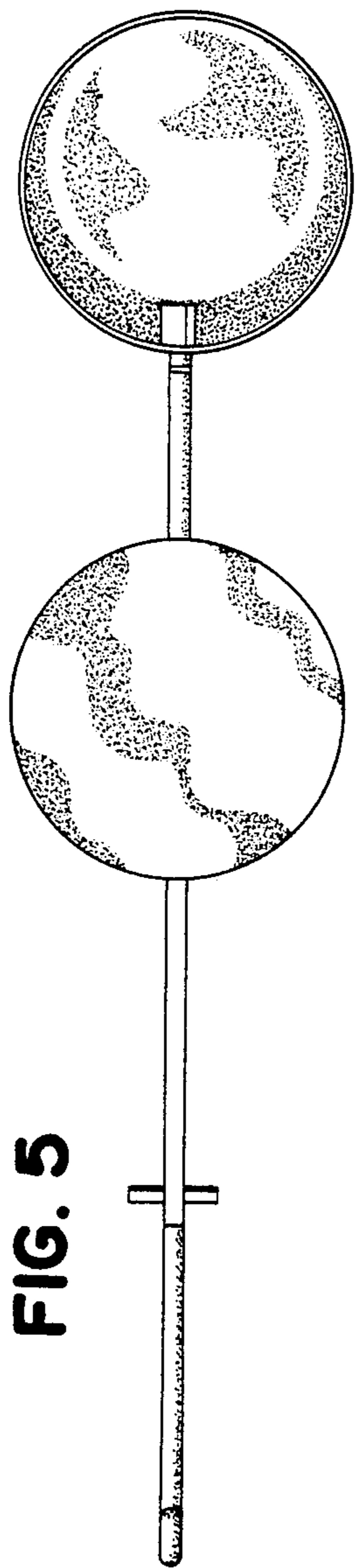


FIG. 5

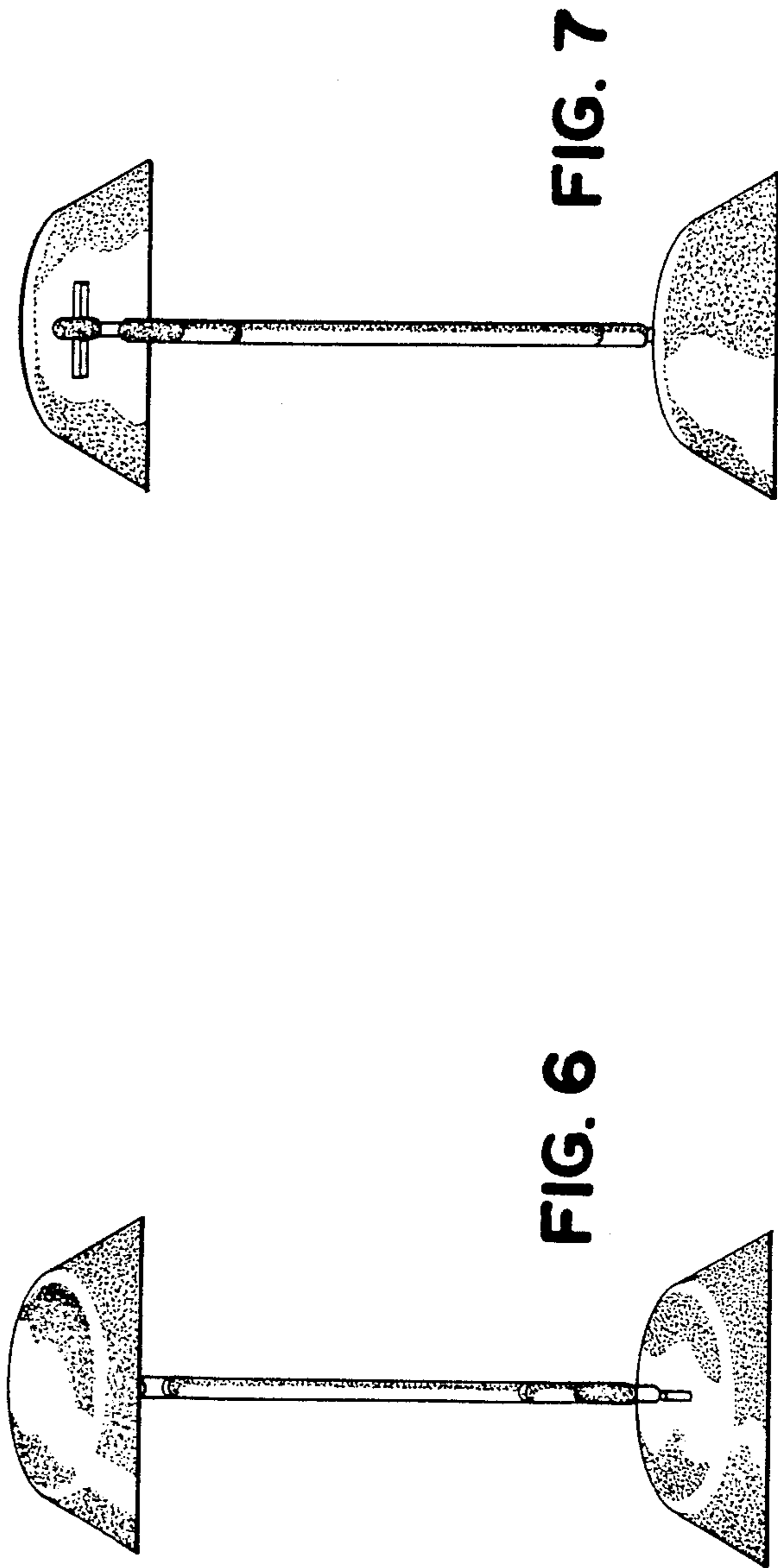


FIG. 6

FIG. 7