

[54] NEONATAL SUCTION VALVE

Attorney, Agent, or Firm—Mark C. Jacobs

[76] Inventors: Balazs I. Bodai, 2913 Jade Cove Ct., Sacramento, Calif. 95821; Stephen Briggs, 6807 Hickory Ave., Orangevale, Calif. 95662

[57] CLAIM

The ornamental design for neonatal suction valve, as shown and described.

[\*\*] Term: 14 Years

DESCRIPTION

[21] Appl. No.: 163,875

FIG. 1 is an end elevational view of a neonatal suction valve, showing our new design;

[22] Filed: Mar. 4, 1988

FIG. 2 is a top plan view thereof;

[52] U.S. Cl. .... D24/53

FIG. 3 is an end elevational view thereof;

[58] Field of Search ..... D24/53, 51; 604/283; 128/202.16, 207.16, 205.19, 207.14, 912

FIG. 4 is a right side elevational view thereof, the left side elevational view being a mirror image;

[56] References Cited

U.S. PATENT DOCUMENTS

- D. 276,464 11/1984 Weigl et al. .... D24/53
- D. 276,465 11/1984 Clawson et al. .... D24/53
- 4,705,073 11/1987 Beck ..... 128/205.19 X
- 4,825,859 5/1989 Lambert ..... 128/202.16

FIG. 5 is a bottom plan view thereof;

FIG. 6 is an end elevational view of a second embodiment of FIG. 1;

FIG. 7 is a top plan view thereof;

FIG. 8 is an end elevational view thereof;

FIG. 9 is a right side elevational view thereof, the left side elevational view being a mirror image;

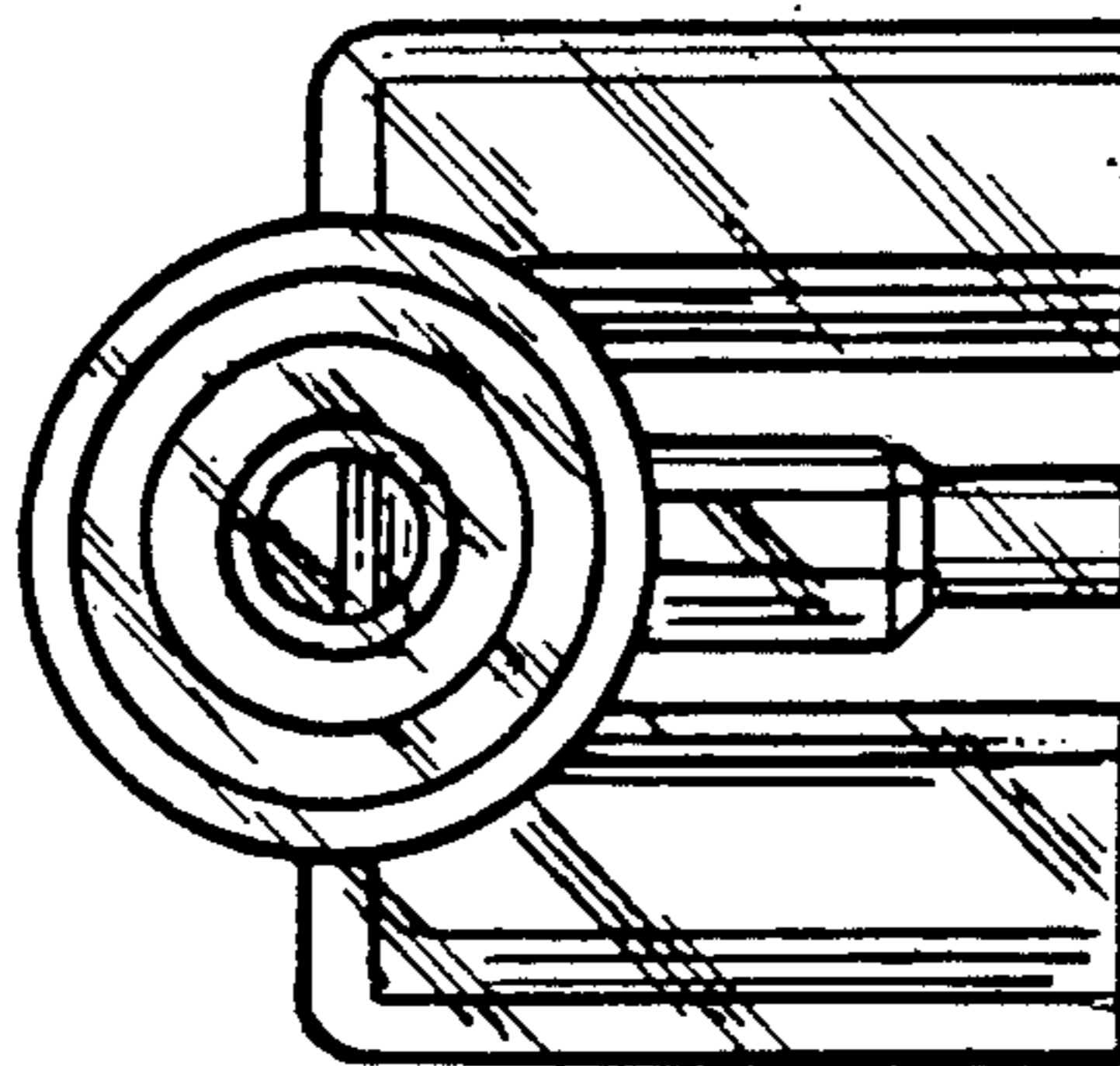
FIG. 10 is a bottom plan view thereof;

FIG. 11 is a perspective view of FIGS. 1-5; and

FIG. 12 is a perspective view of FIGS. 6-10.

Primary Examiner—A. Hugo Word

Assistant Examiner—Stella M. Redi



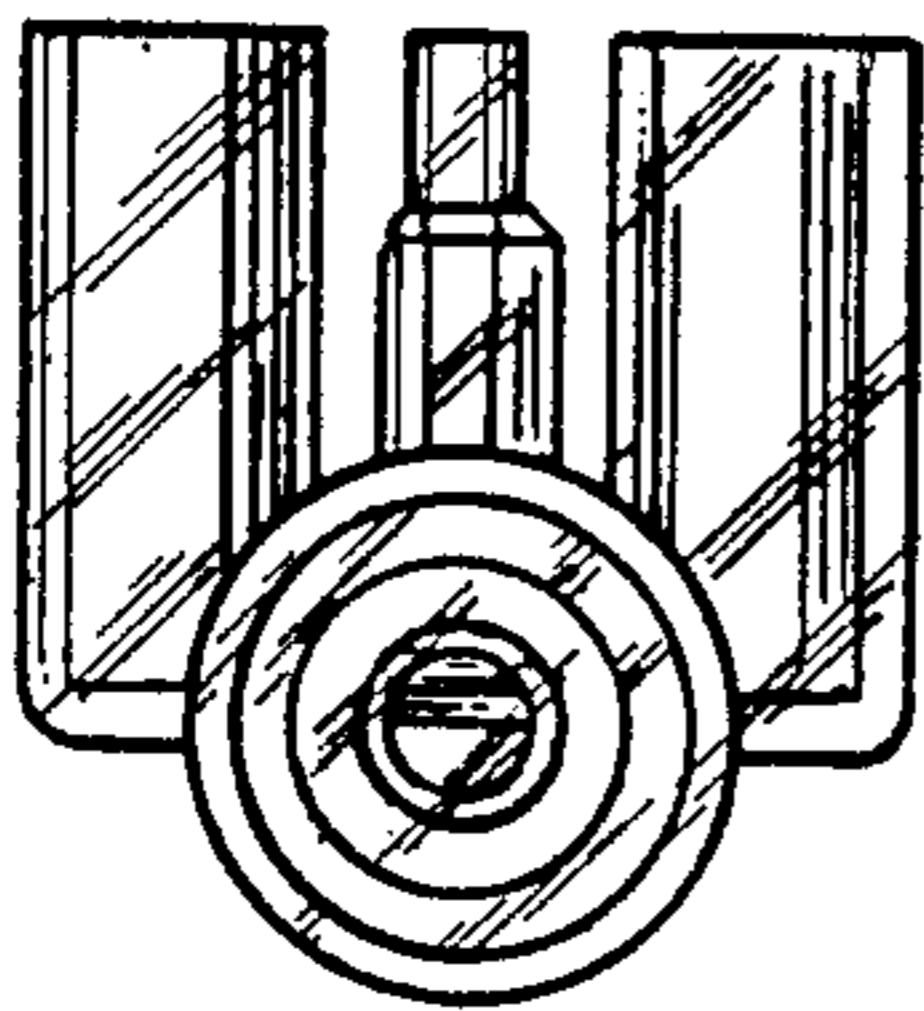


FIG. 1

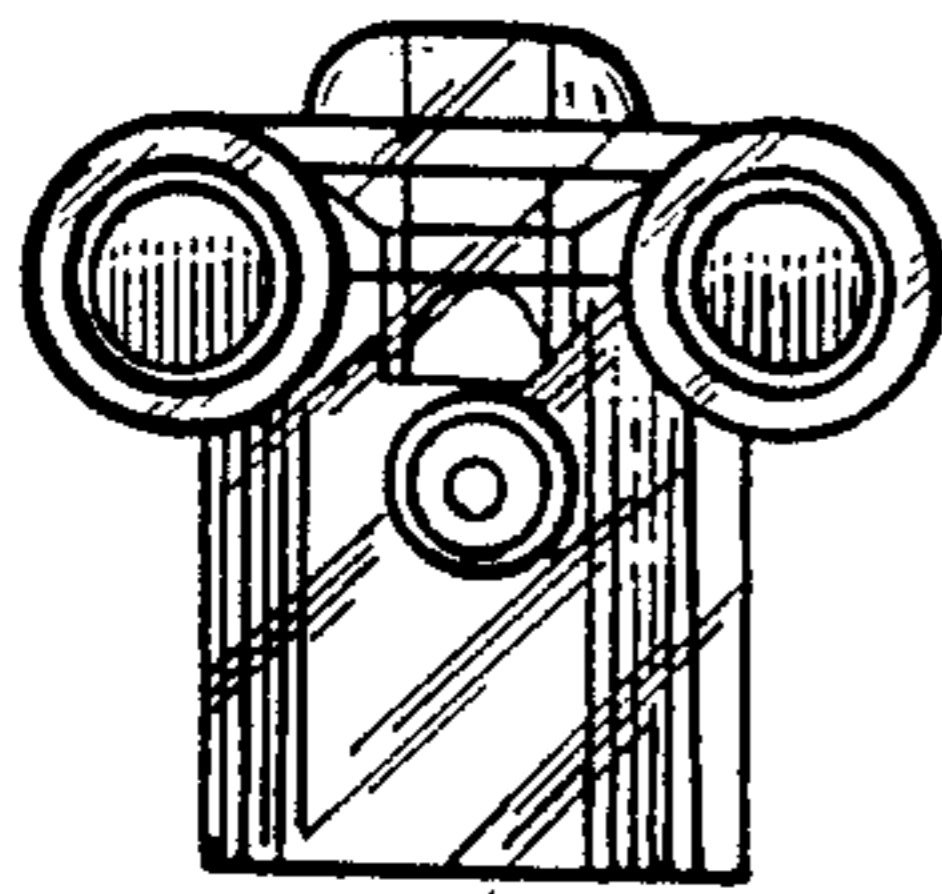


FIG. 2

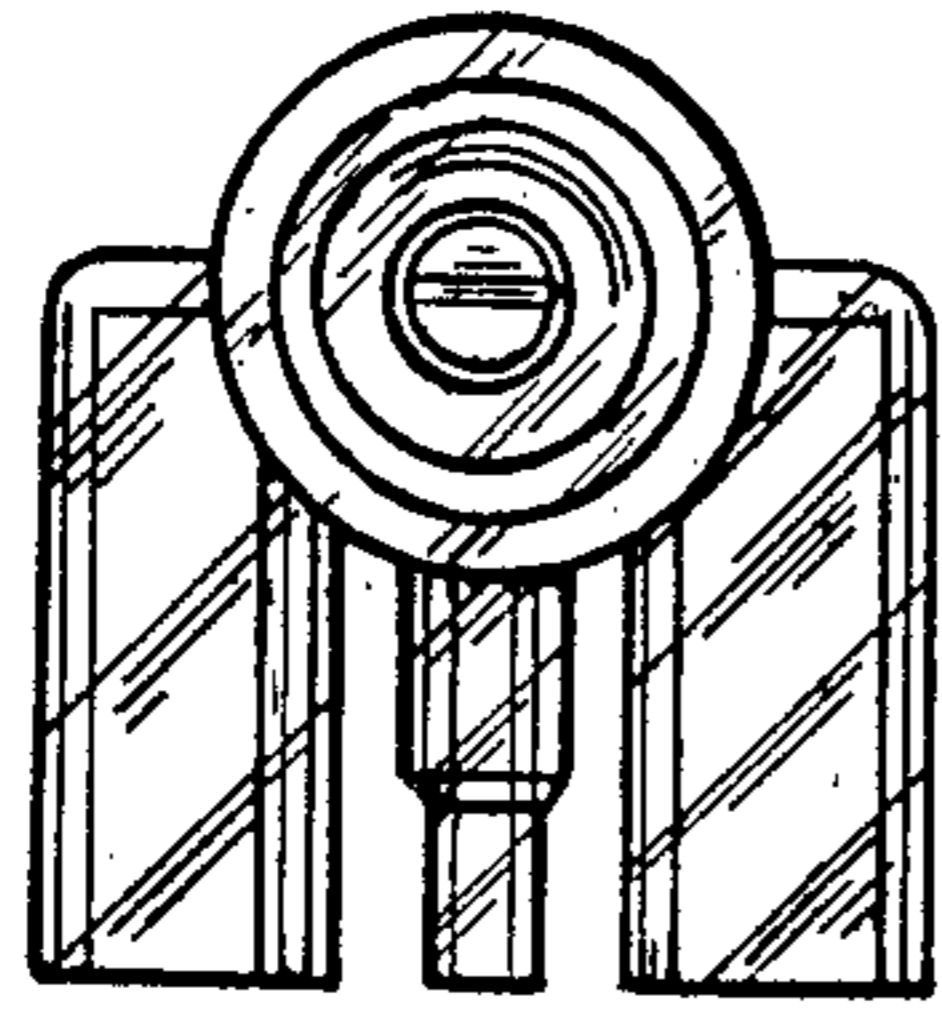


FIG. 3

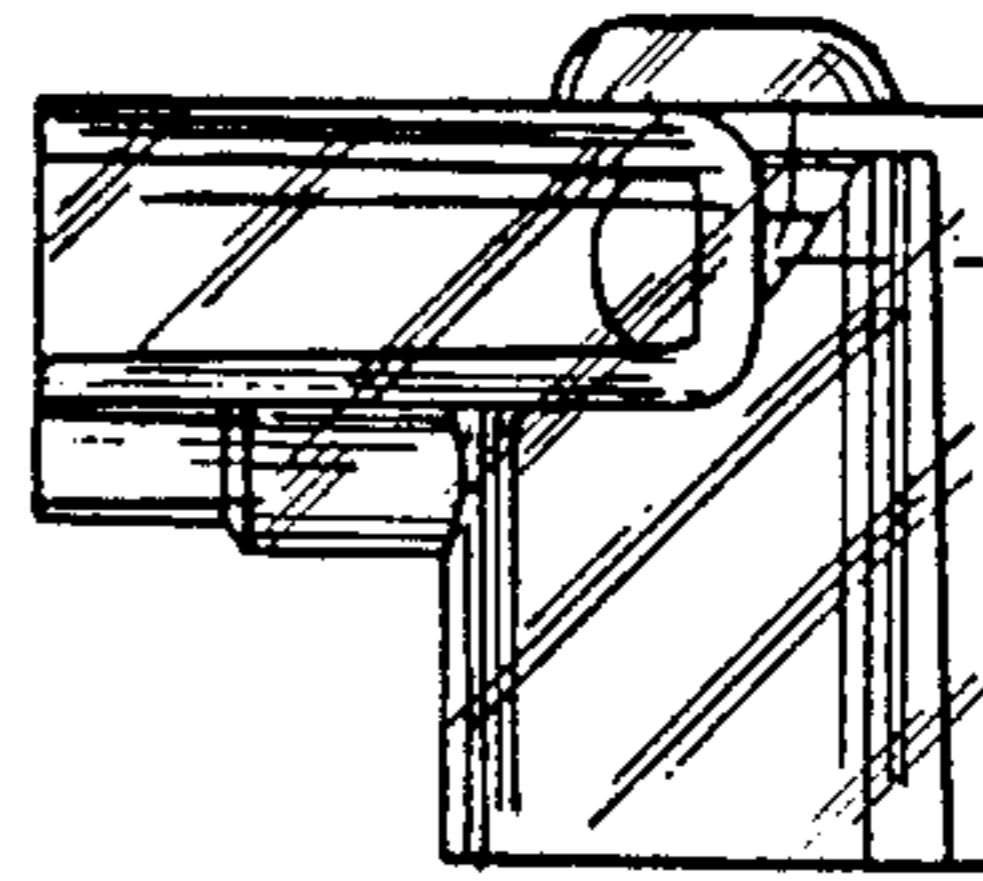


FIG. 4

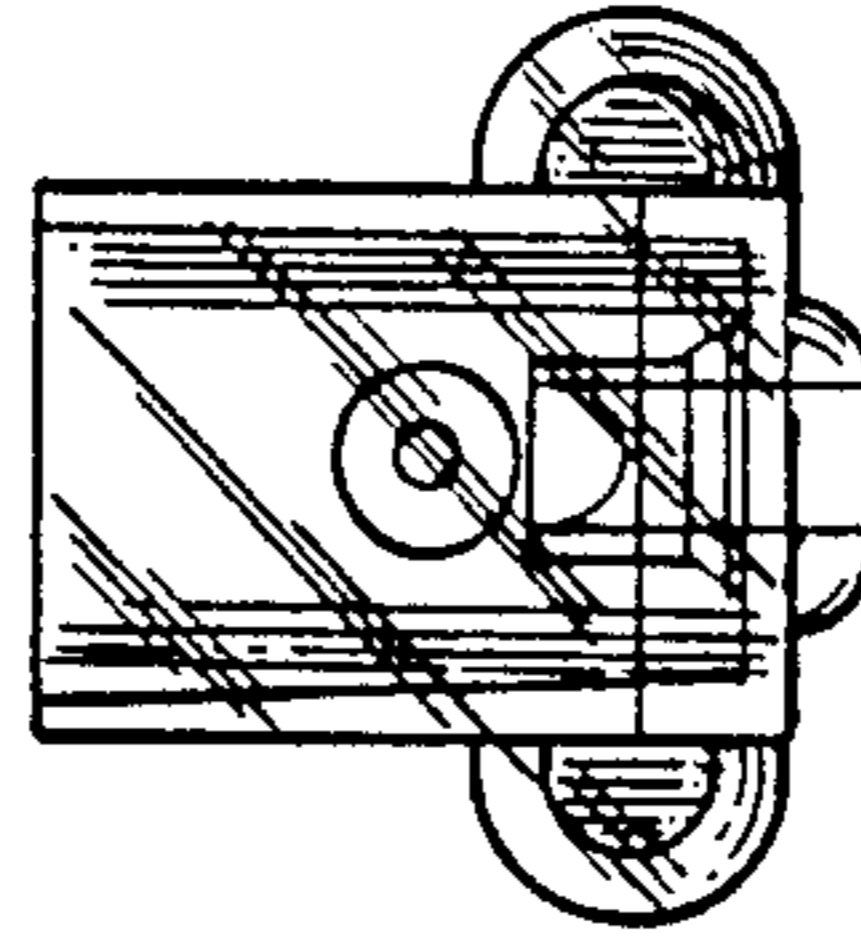


FIG. 5

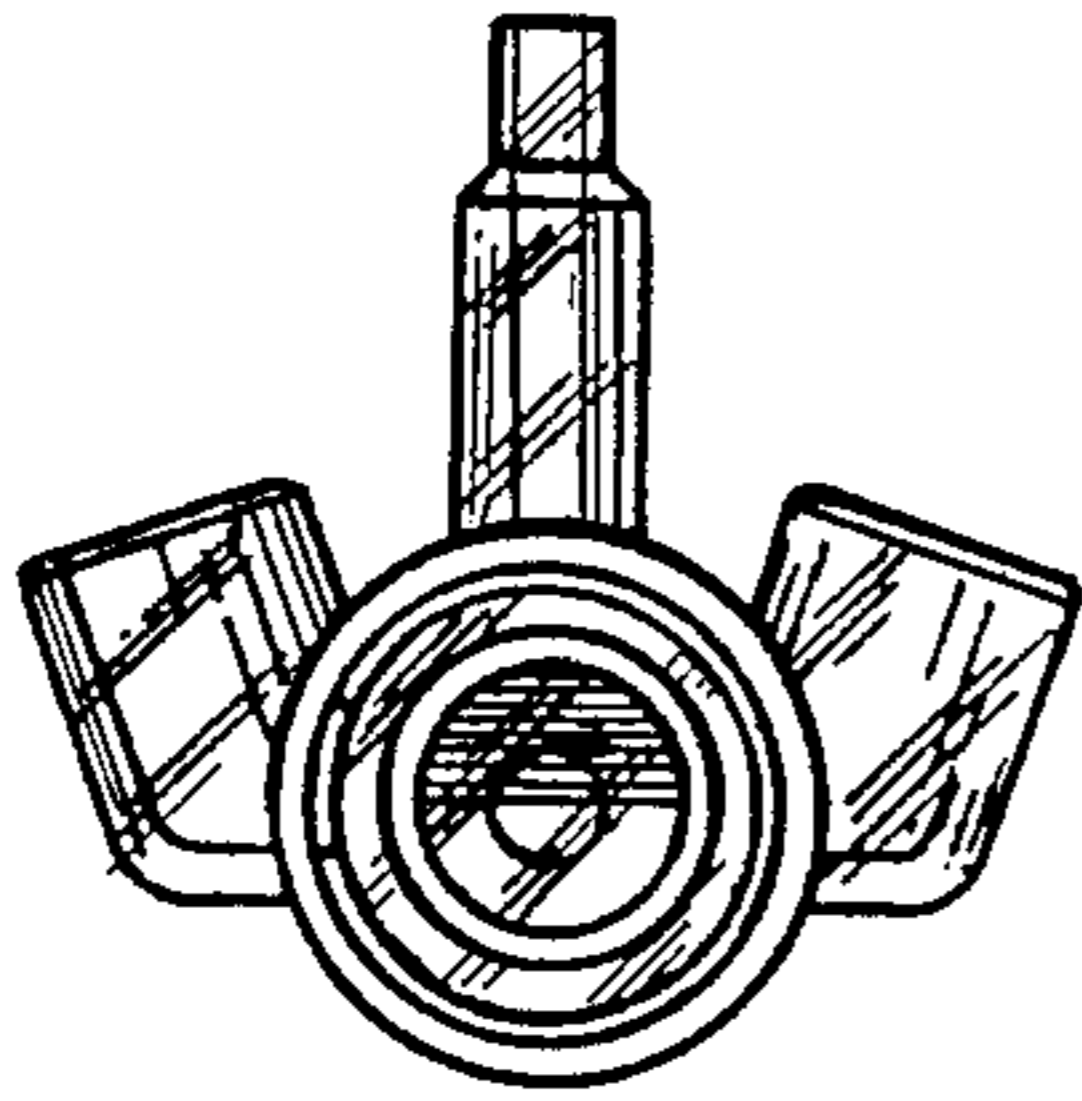


FIG. 6

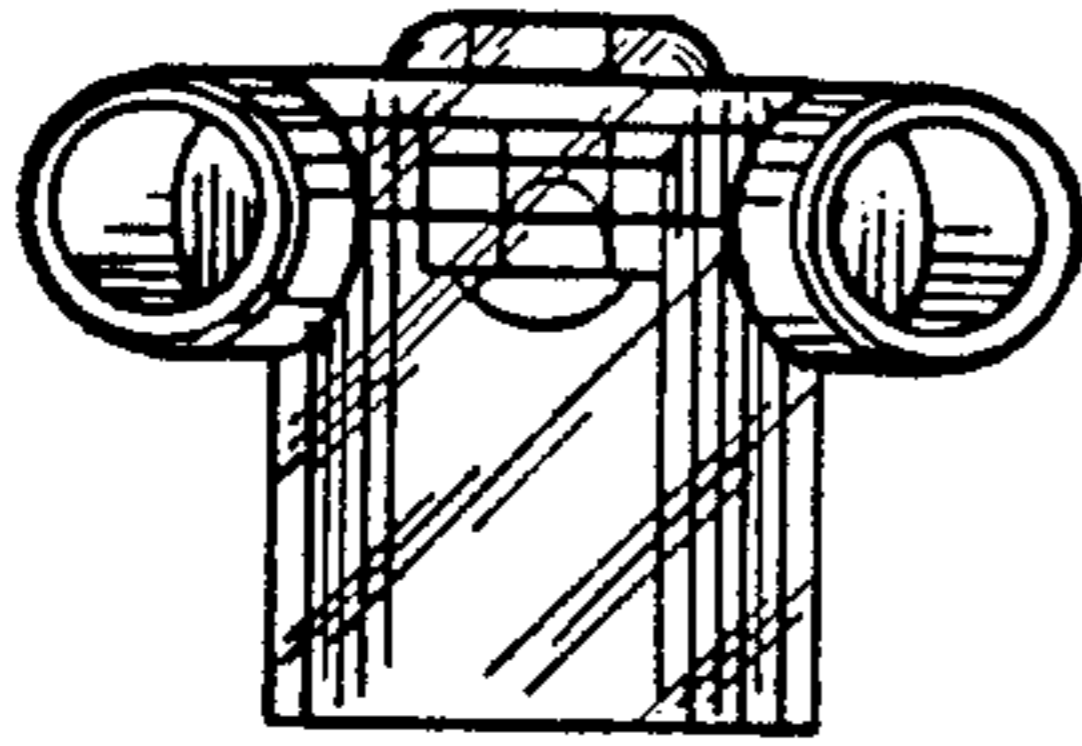


FIG. 7

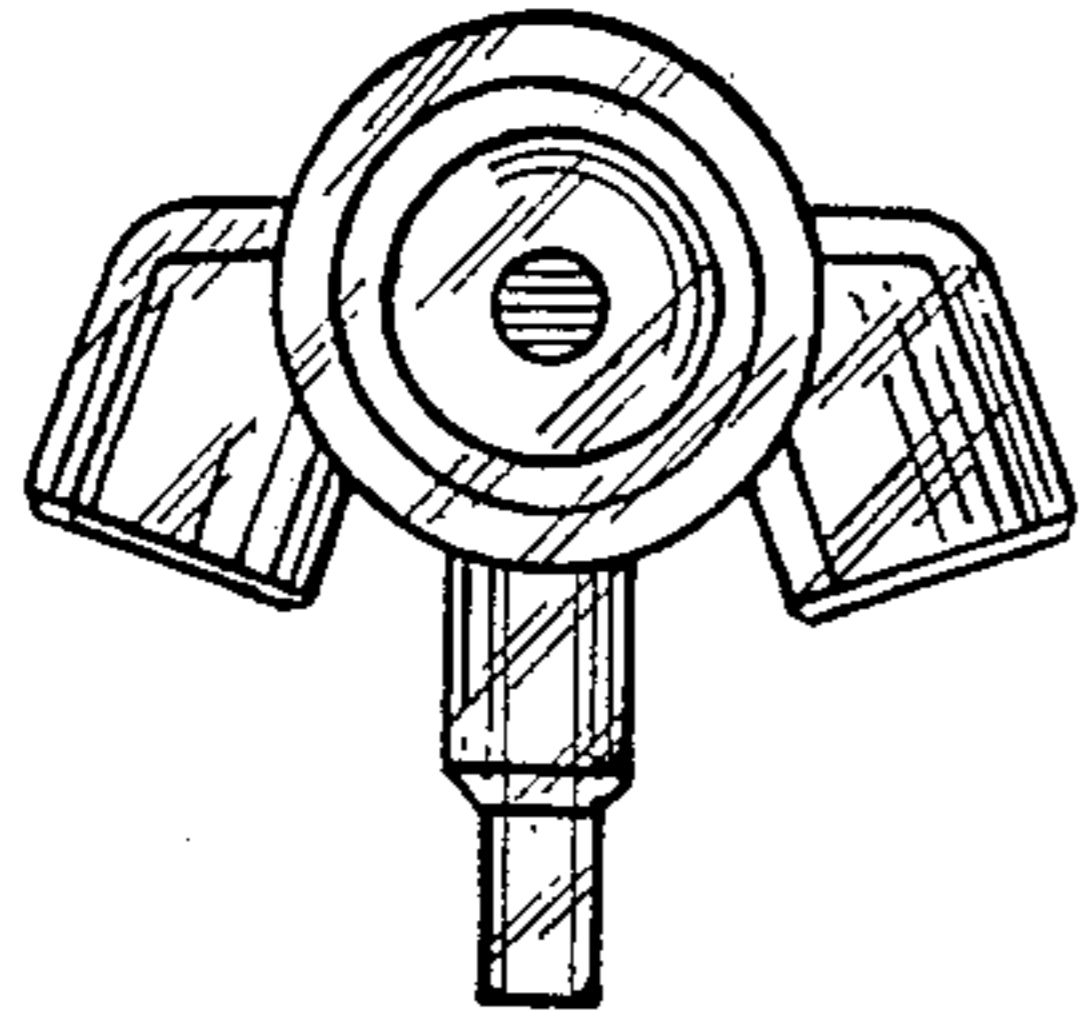


FIG. 8

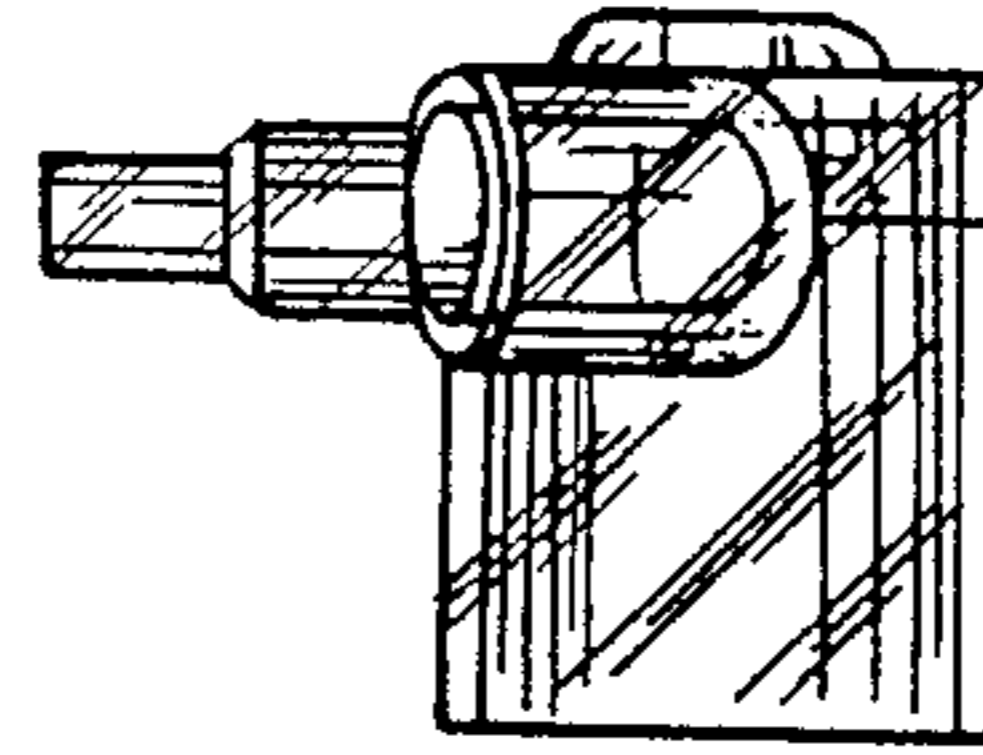


FIG. 9

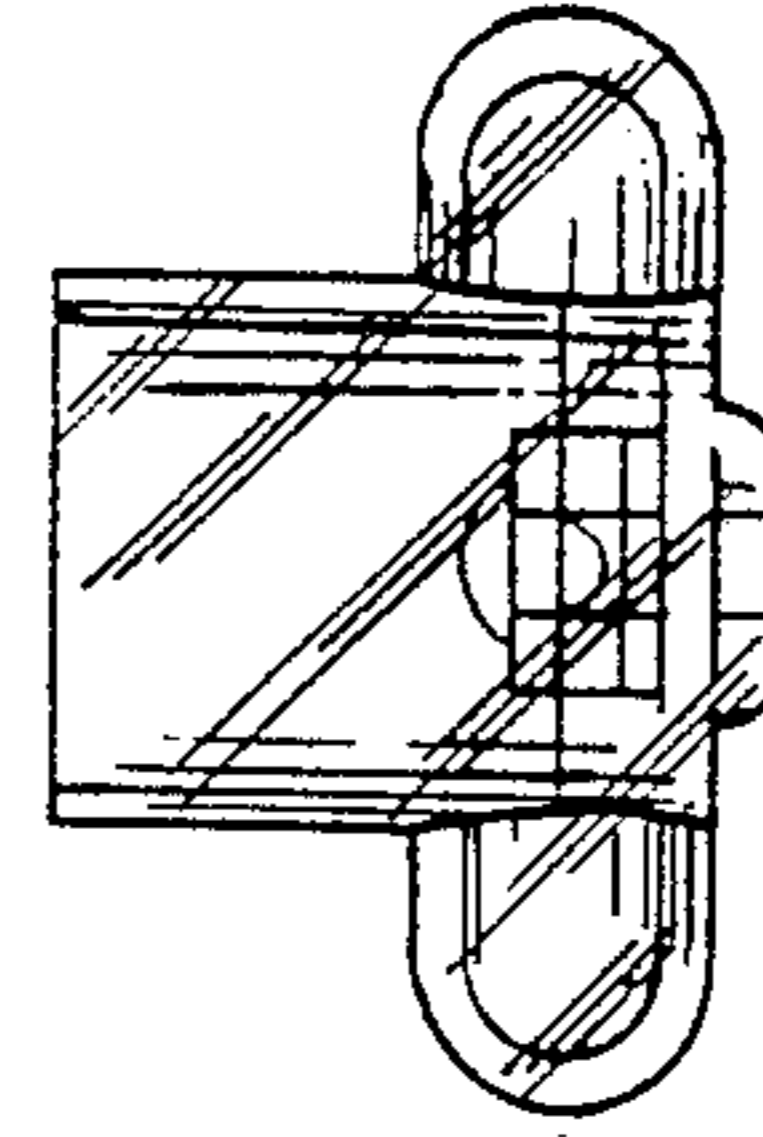


FIG. 10

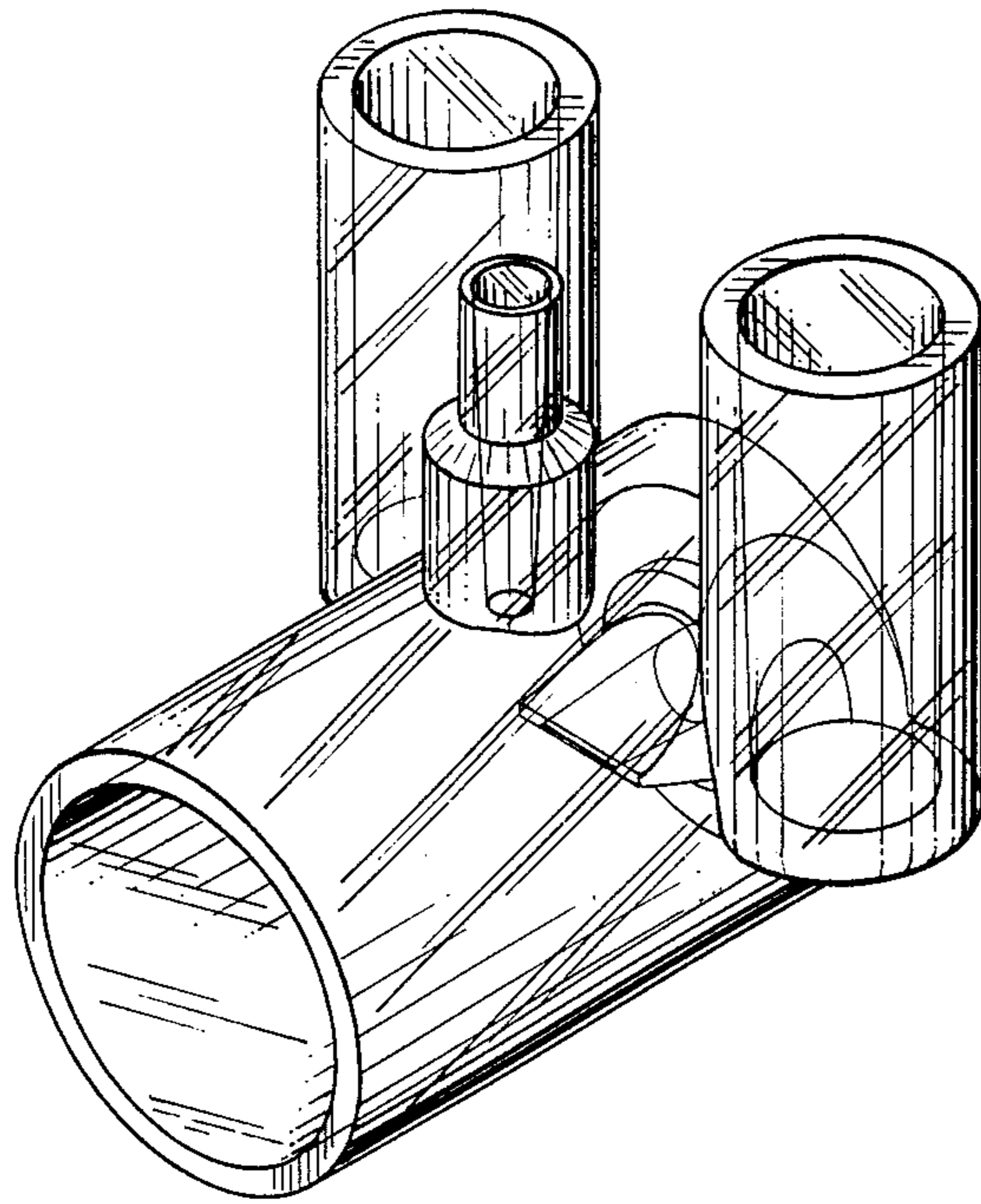


FIG. 11

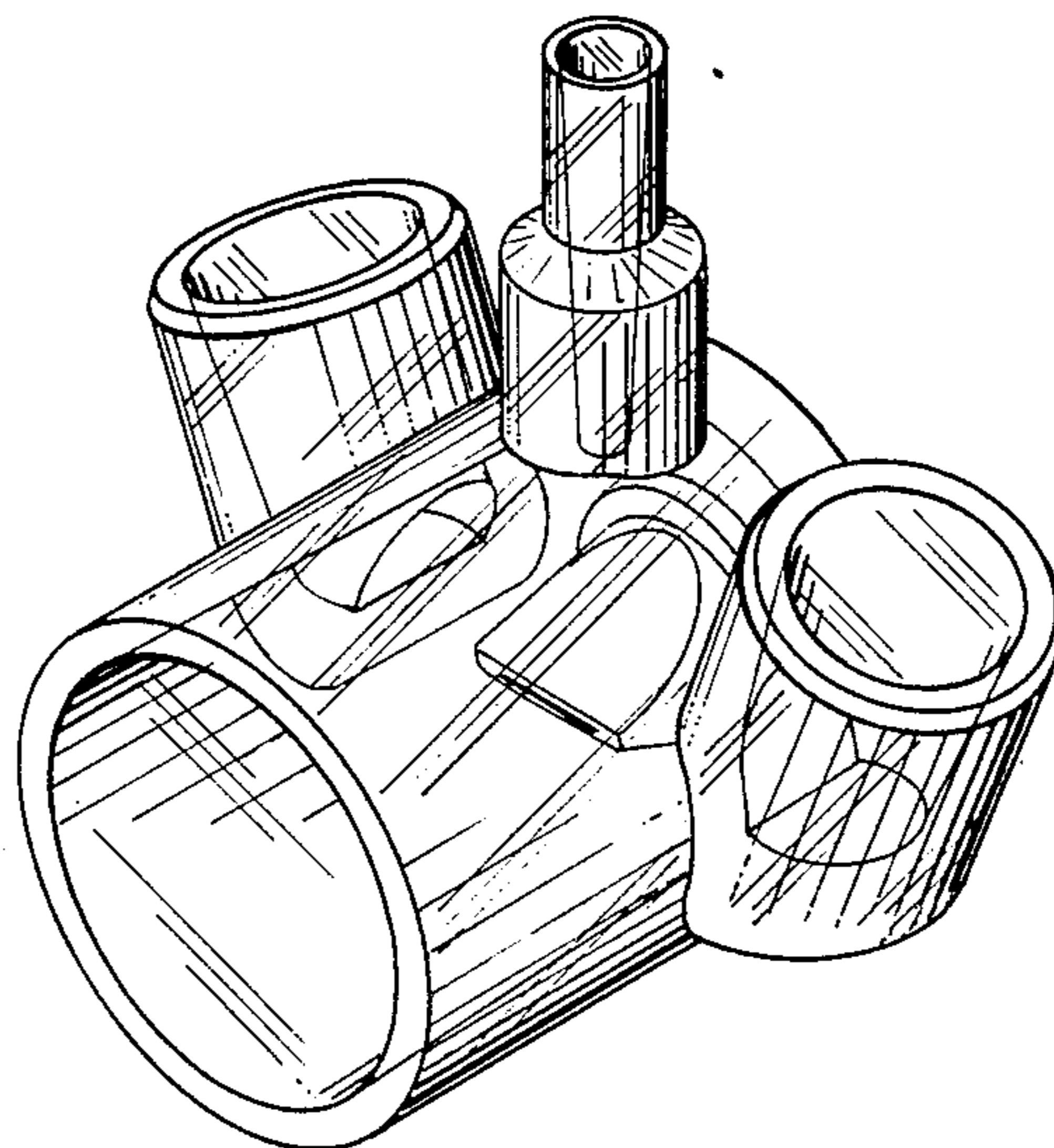


FIG. 12