

[54] COMBINED VOLUMETRIC PUMP AND CONTROLLER

[75] Inventor: Michael R. Aten, San Diego, Calif.

[73] Assignee: IMED Corporation, San Diego, Calif.

[**] Term: 14 Years

[21] Appl. No.: 169,757

[22] Filed: Mar. 18, 1988

[52] U.S. Cl. D24/51

[58] Field of Search D24/8, 51, 52; 604/250, 604/253, 246, 152, 153, 123, 151; 128/DIG. 12, DIG. 13

[56] References Cited

U.S. PATENT DOCUMENTS

- D. 268,206 3/1983 Kosako D24/8
- D. 285,347 8/1986 Nelson et al. D24/51

- D. 289,327 4/1987 Campbell et al. D24/8
- 4,217,993 8/1980 Jess et al. 604/123 X
- 4,336,800 6/1982 Giovanni 604/123
- 4,673,390 6/1987 Archibald 604/250 X

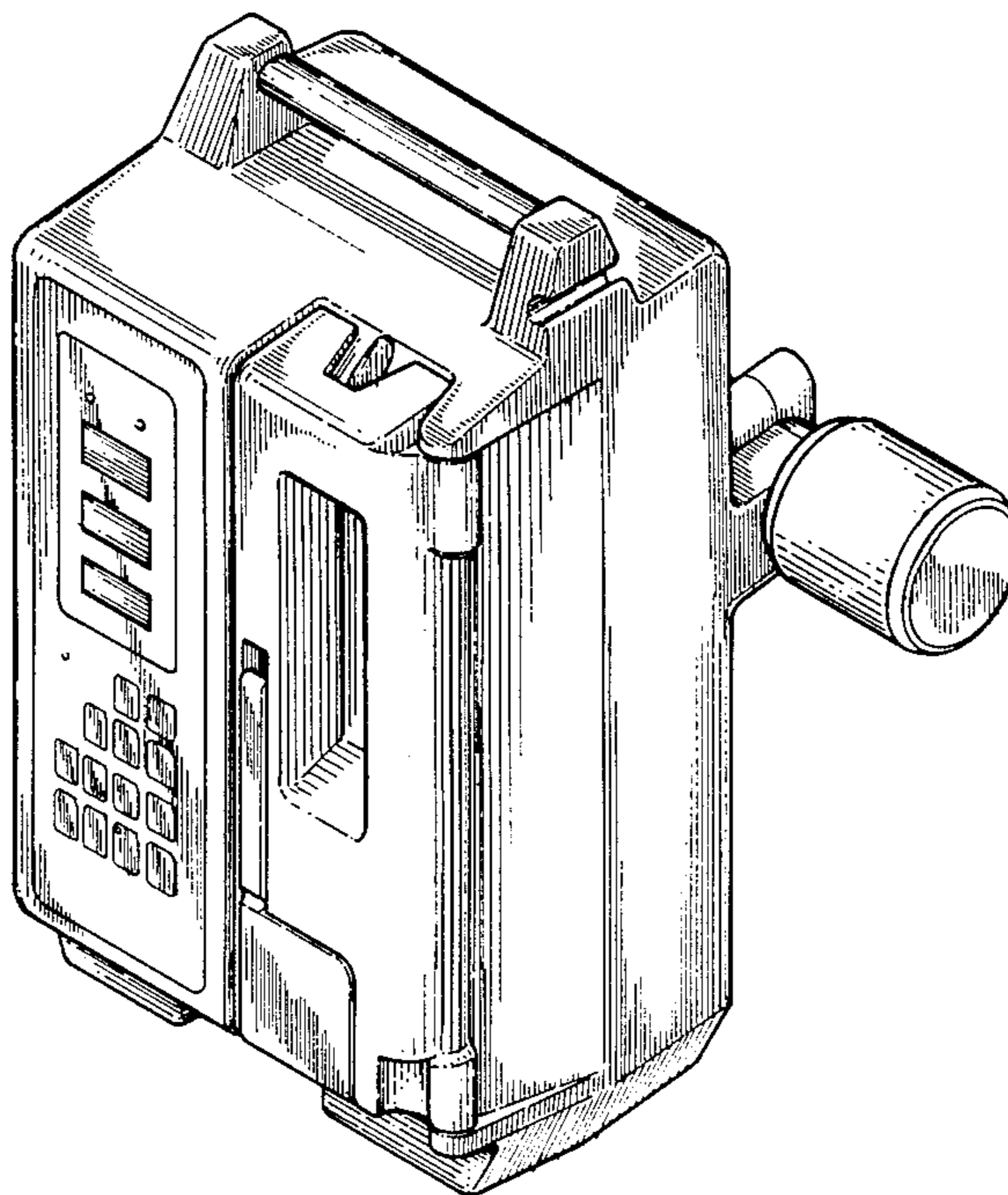
Primary Examiner—A. Hugo Word
Assistant Examiner—Stella M. Reid
Attorney, Agent, or Firm—Nydegger & Harshman

[57] CLAIM

The ornamental design for a combined volumetric pump and controller, as shown.

DESCRIPTION

FIG. 1 is a front elevational view of a combined volumetric pump and controller;
FIG. 2 is a left side elevational view thereof;
FIG. 3 is a back elevational view thereof;
FIG. 4 is a top plan view thereof;
FIG. 5 is a perspective view thereof;
FIG. 6 is a right side elevational view thereof; and
FIG. 7 is a bottom plan view thereof.



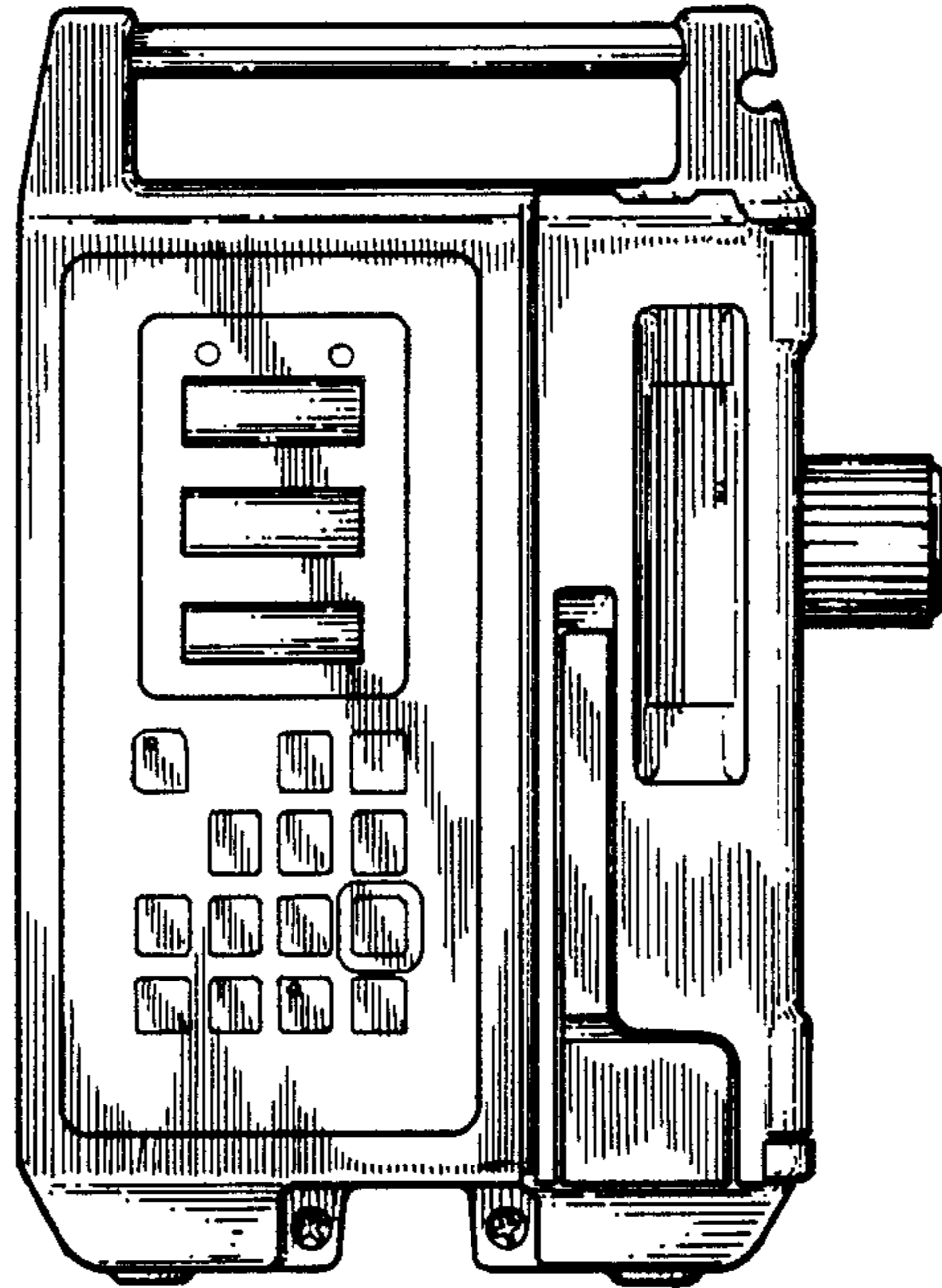


FIG. 1

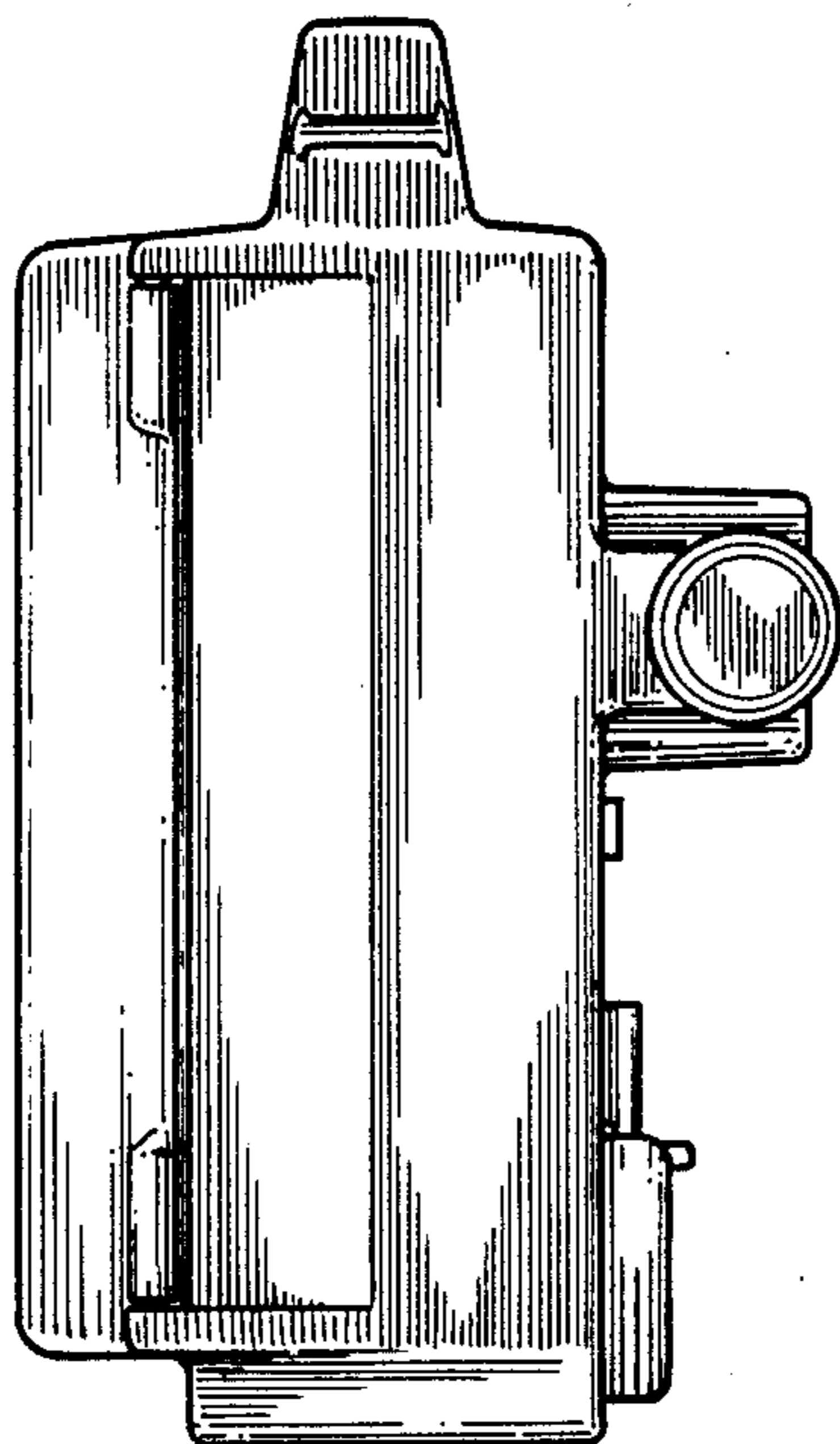


FIG. 2

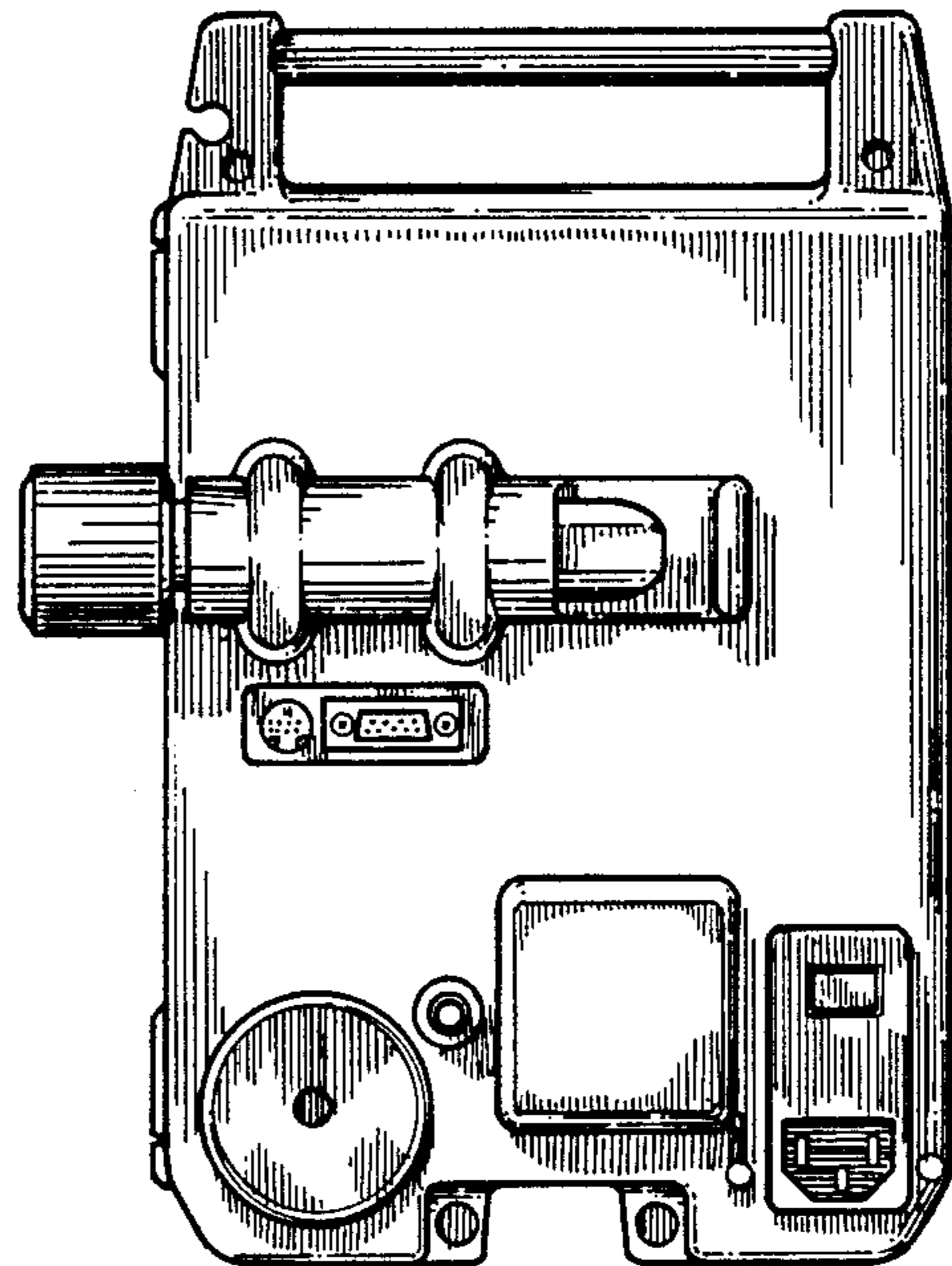


FIG. 3

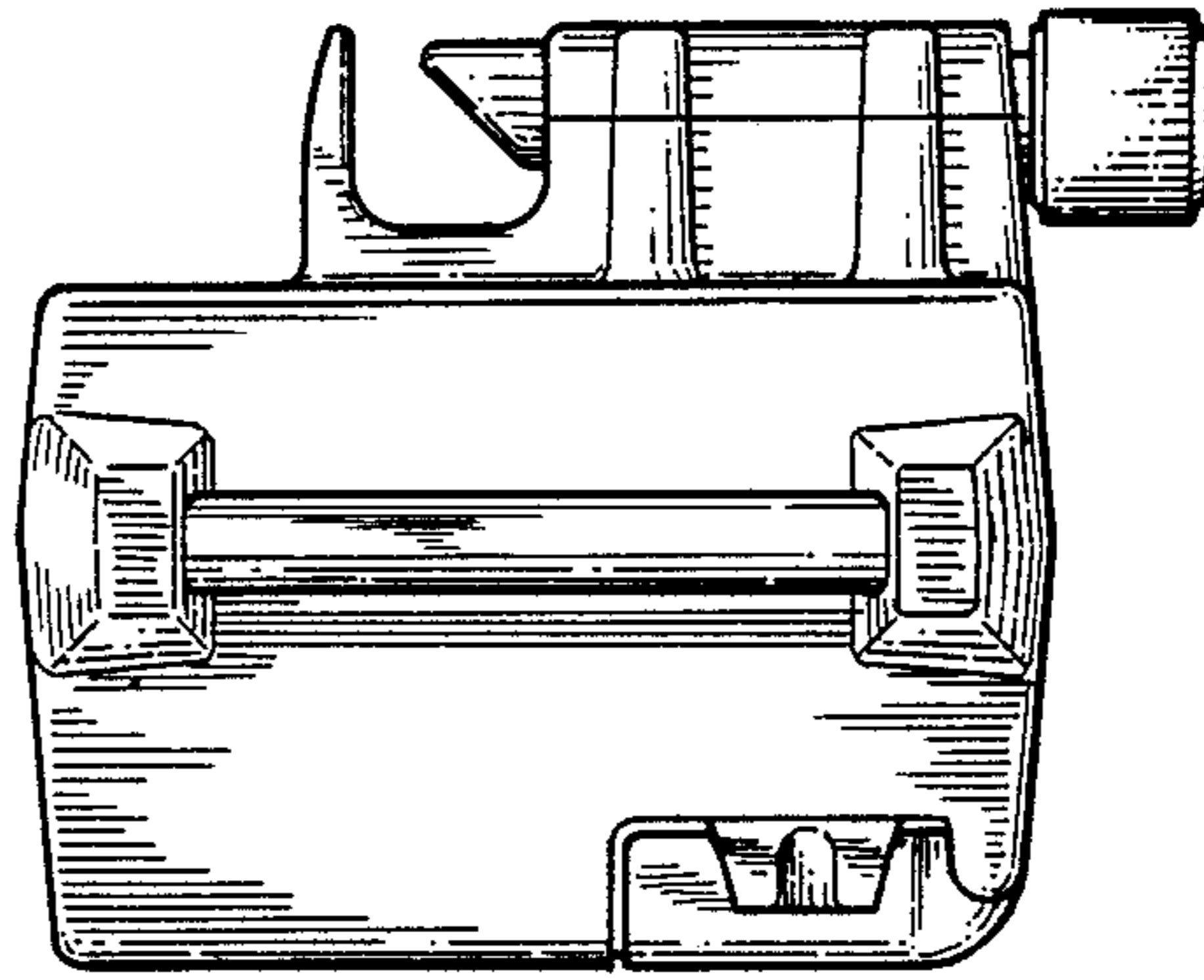


FIG. 4

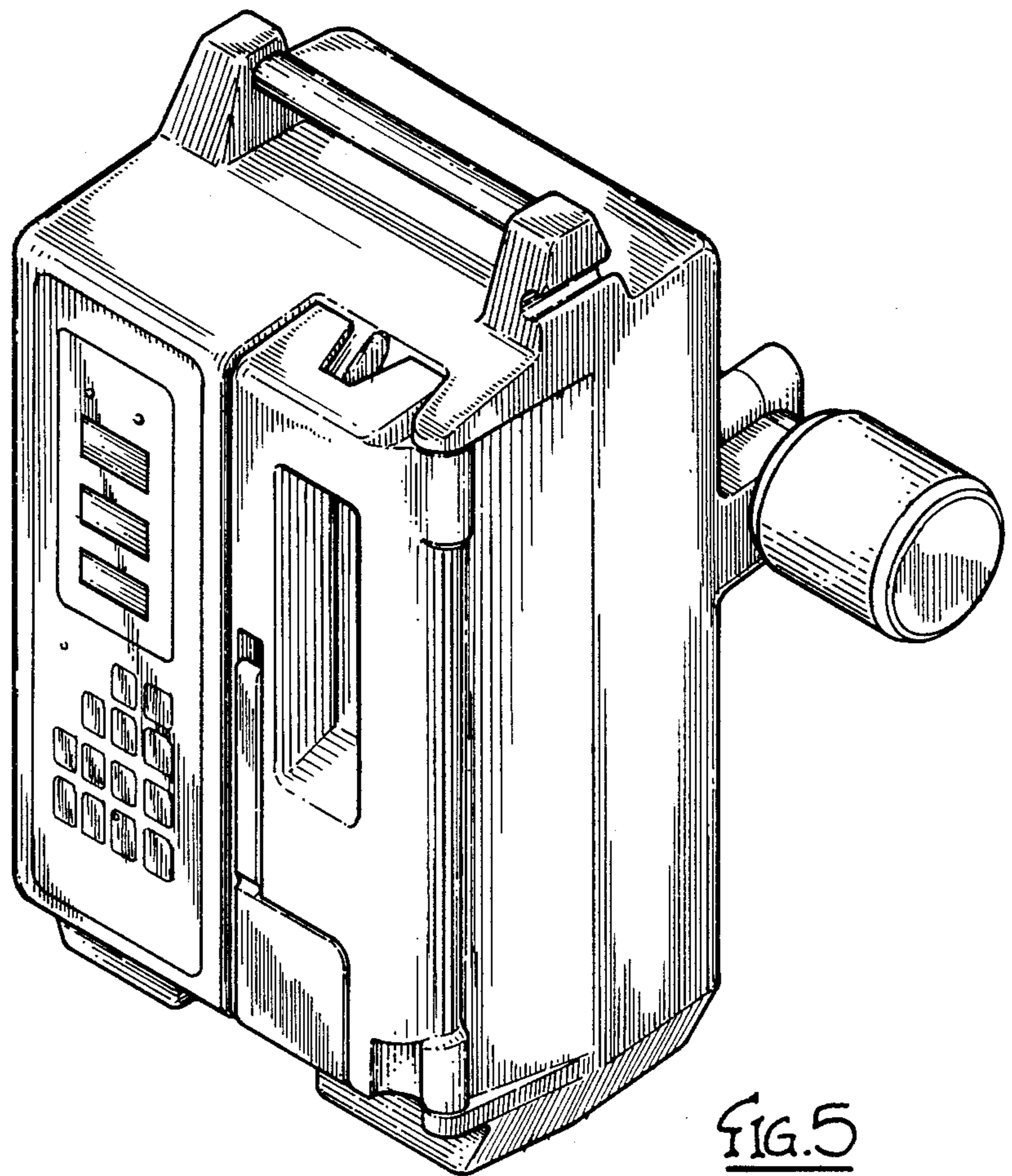


FIG. 5

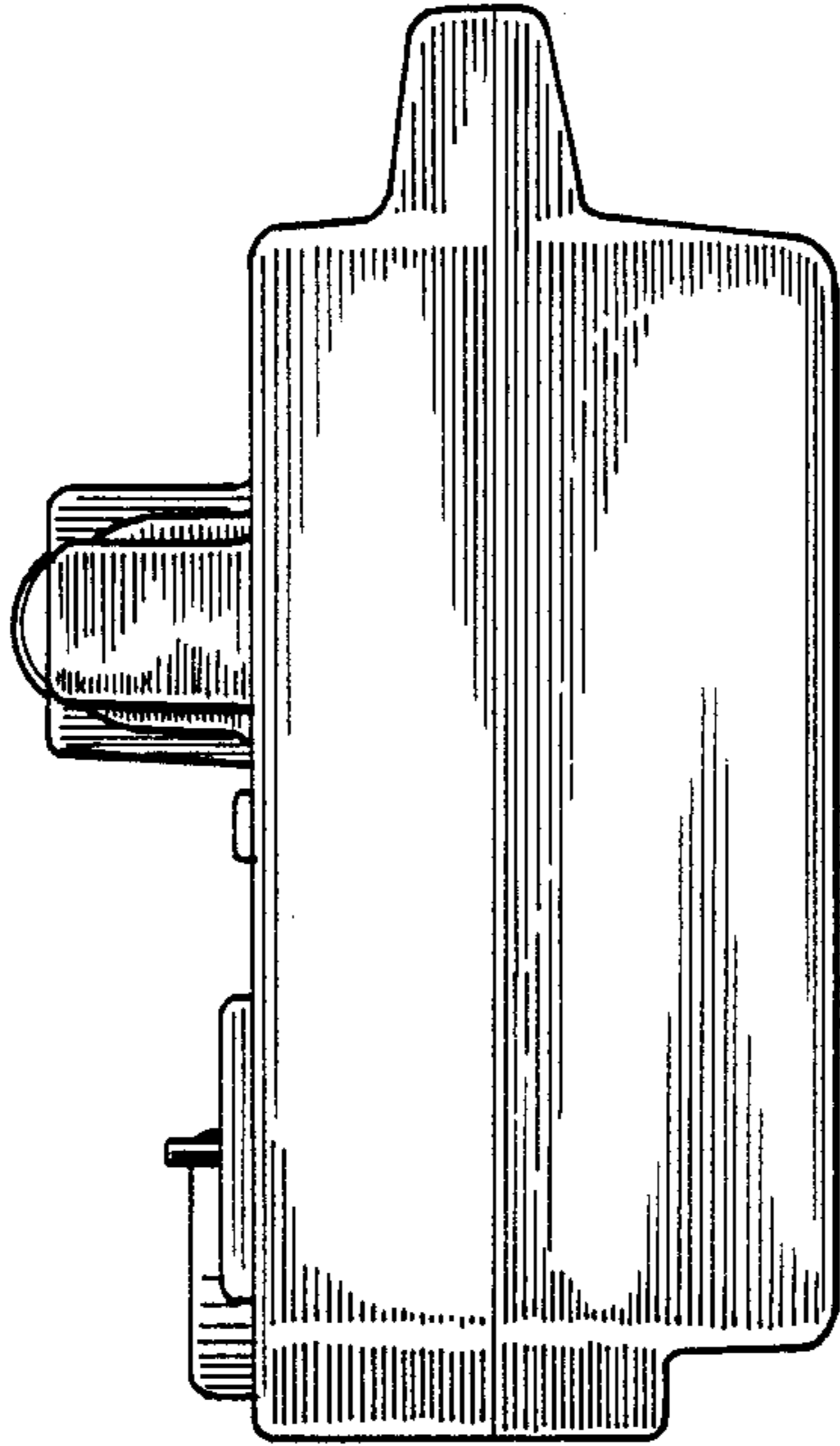


FIG. 6

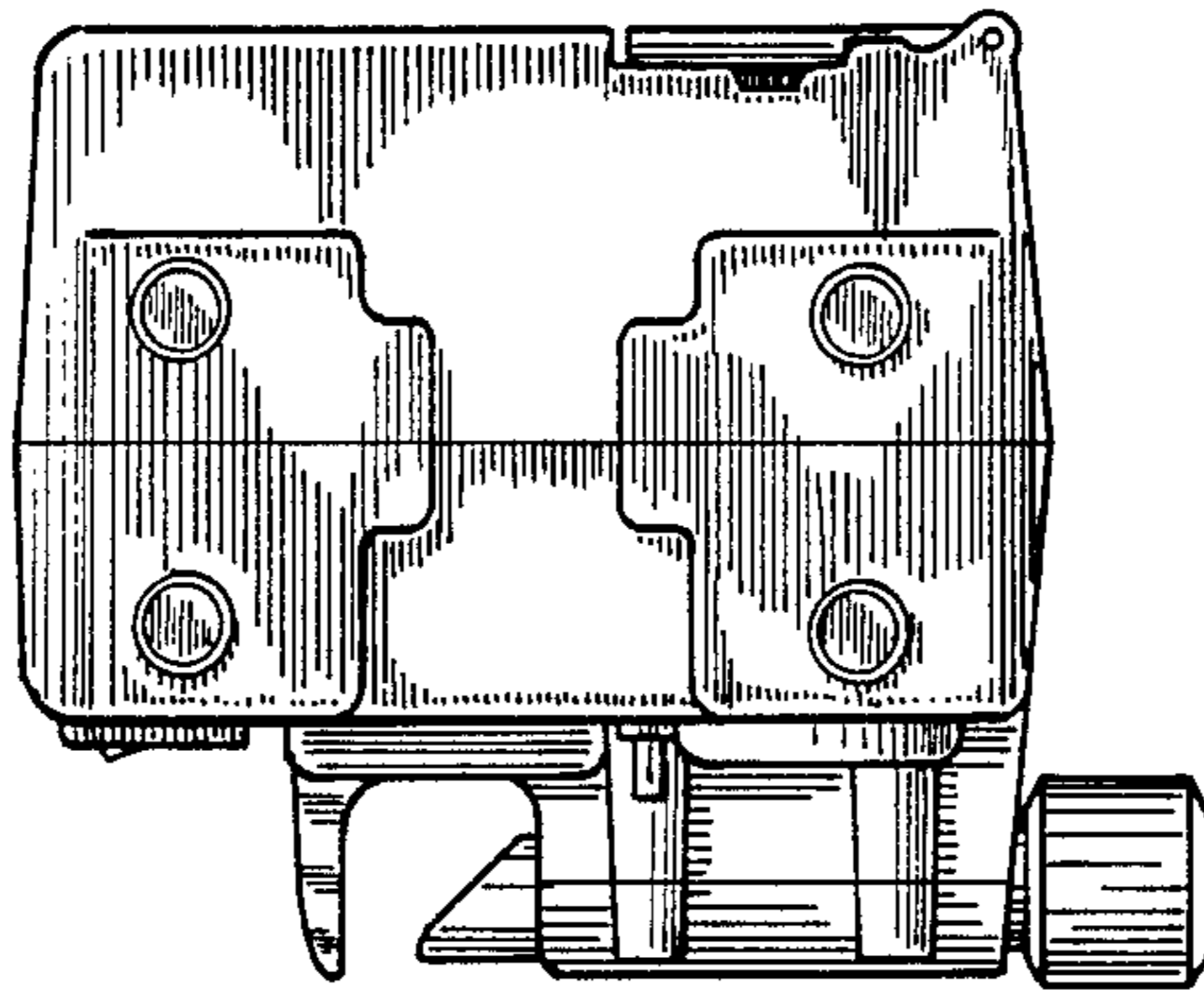


FIG. 7