

[54] **PACIFIER**

[76] **Inventor: Russell G. Flores, 1221 W. 3rd St., Sedalia, Mo. 65301**

[**] **Term: 14 Years**

[21] **Appl. No.: 400,044**

[22] **Filed: Aug. 29, 1989**

[52] **U.S. Cl. D24/45; D21/87**

[58] **Field of Search D24/45, 46, 47; 606/234, 235, 236; D21/87, 90; D12/319, 337**

[56] **References Cited**

U.S. PATENT DOCUMENTS

- D. 264,880 6/1982 Panicci D24/45 X
- D. 274,859 7/1984 Harris et al. D24/46 X
- D. 288,849 3/1987 Williams et al. D24/45

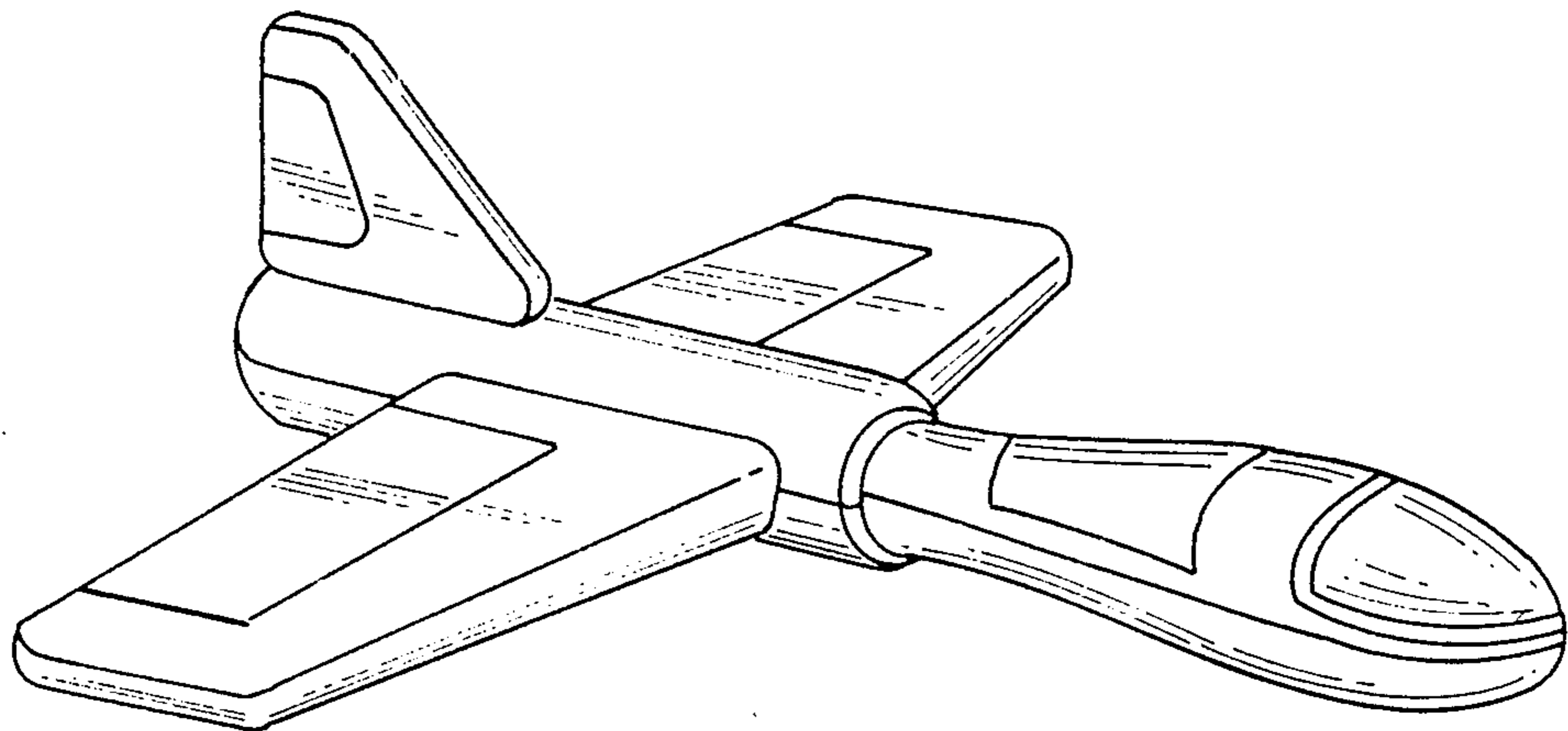
Primary Examiner—A. Hugo Word
Assistant Examiner—Stella M. Reid
Attorney, Agent, or Firm—H. Jay Spiegel

[57] **CLAIM**

The ornamental design for a pacifier, as shown and described.

DESCRIPTION

FIG. 1 is a side perspective view of a pacifier showing my new design;
FIG. 2 is a top plan view thereof;
FIG. 3 is a bottom plan view thereof;
FIG. 4 is a front elevational view thereof;
FIG. 5 is a rear elevational view thereof;
FIG. 6 is an enlarged side elevational view thereof; and
FIG. 7 is an enlarged left side elevational view thereof.



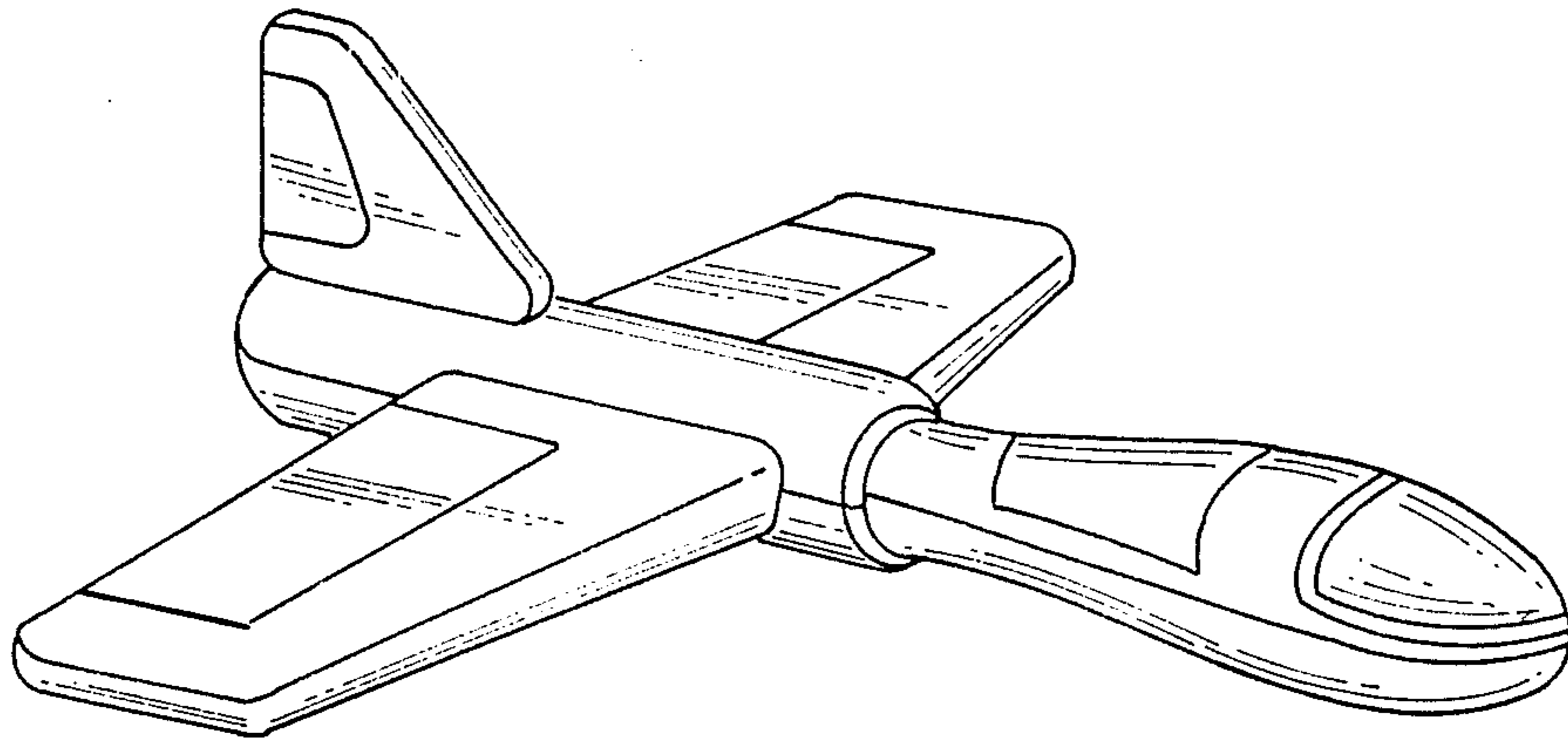


FIG. 1

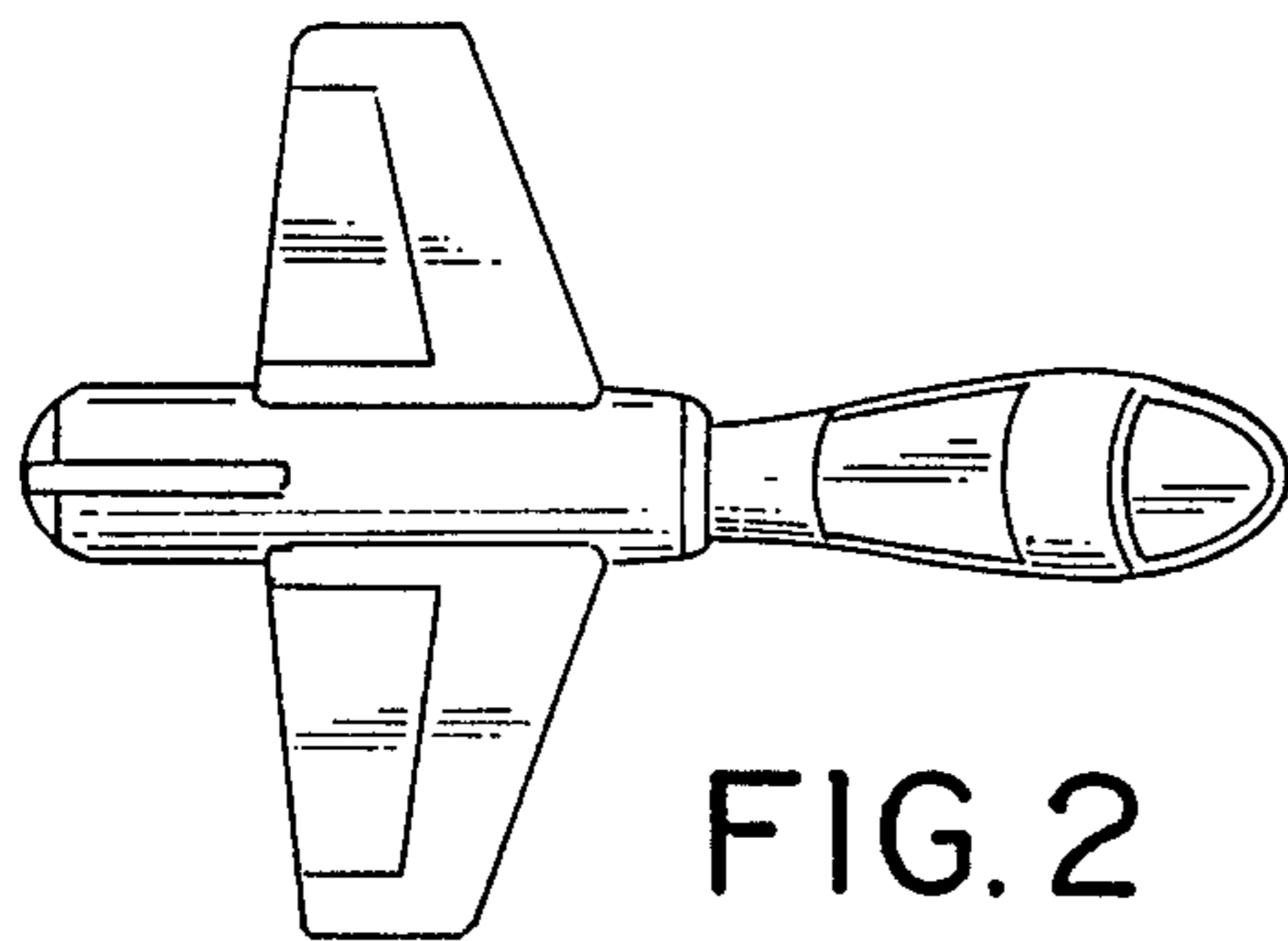


FIG. 2

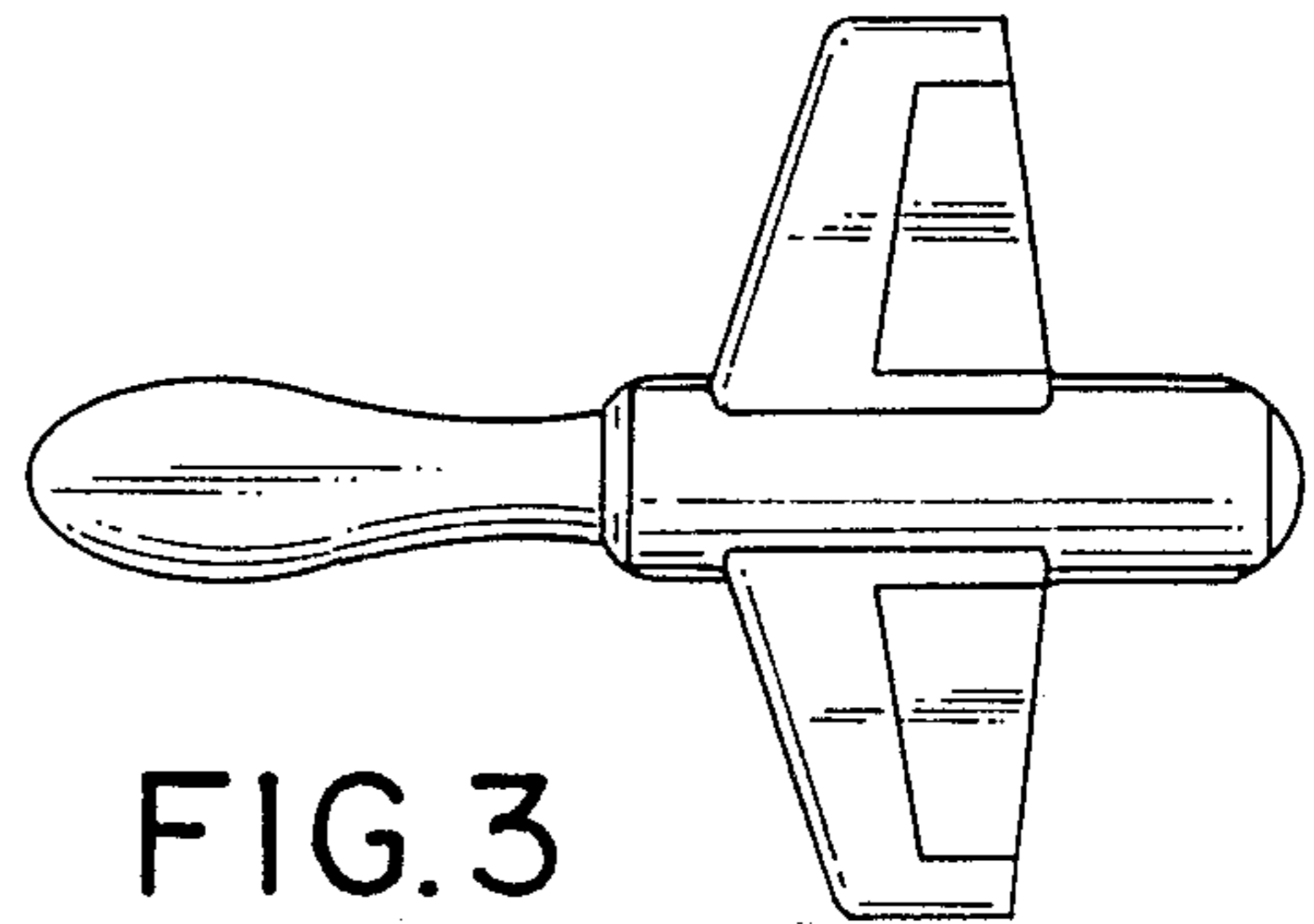


FIG. 3

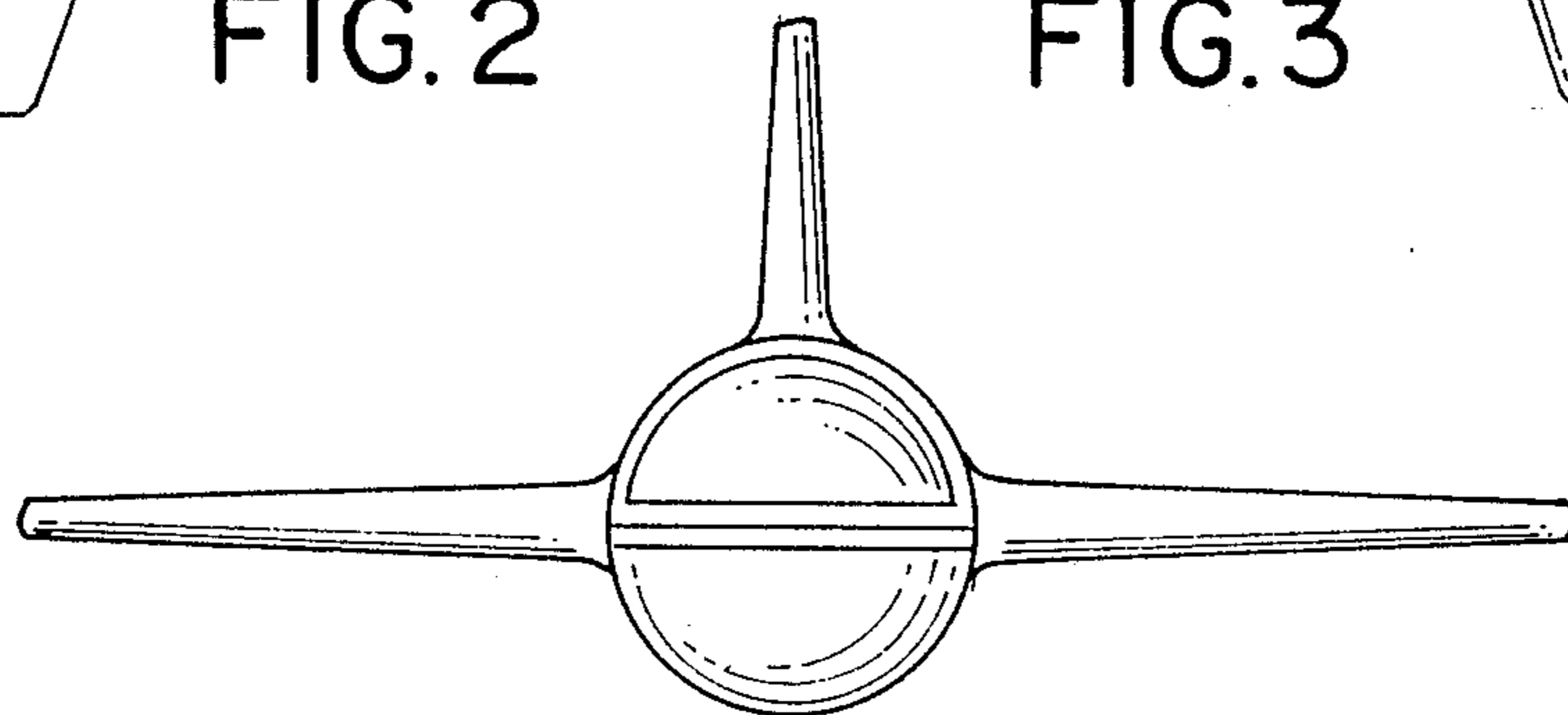


FIG. 4

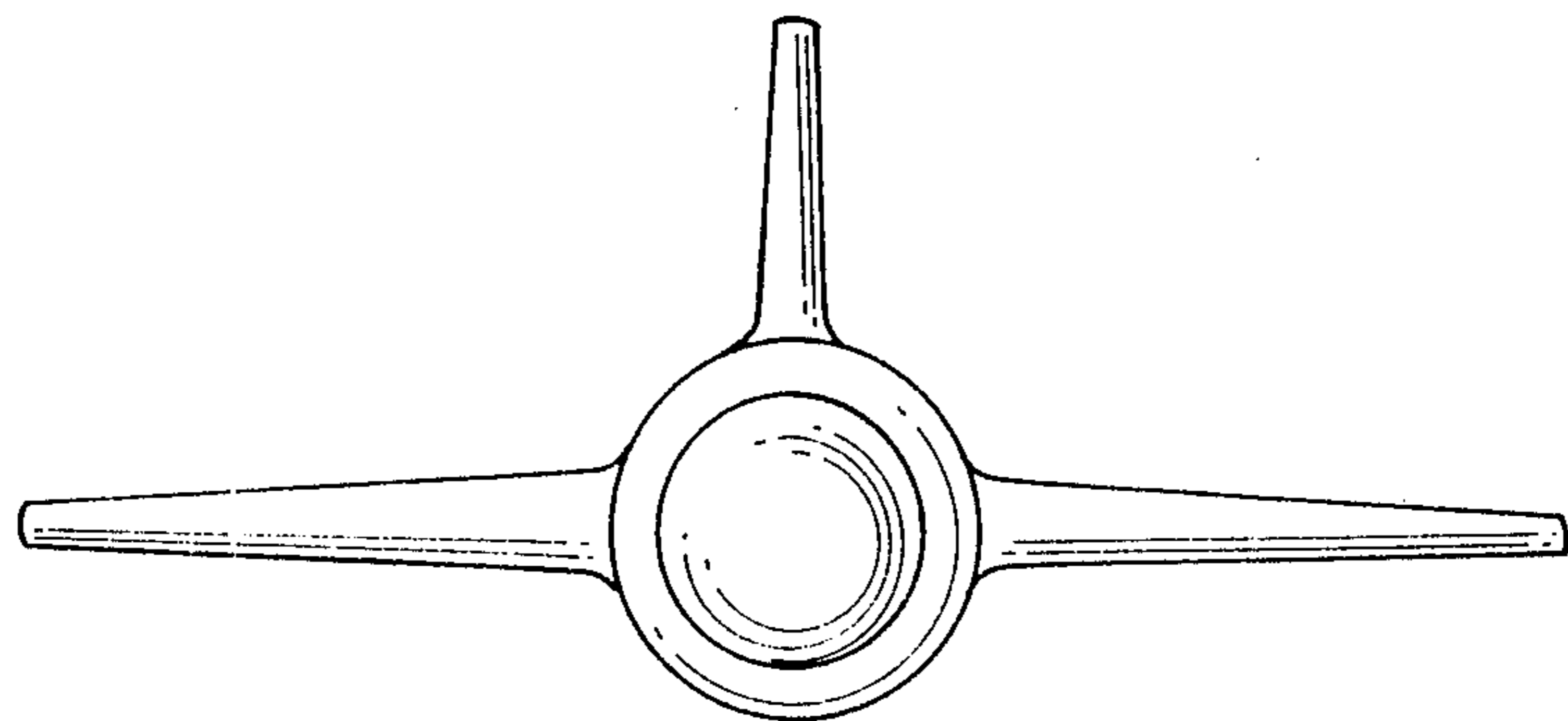


FIG. 5

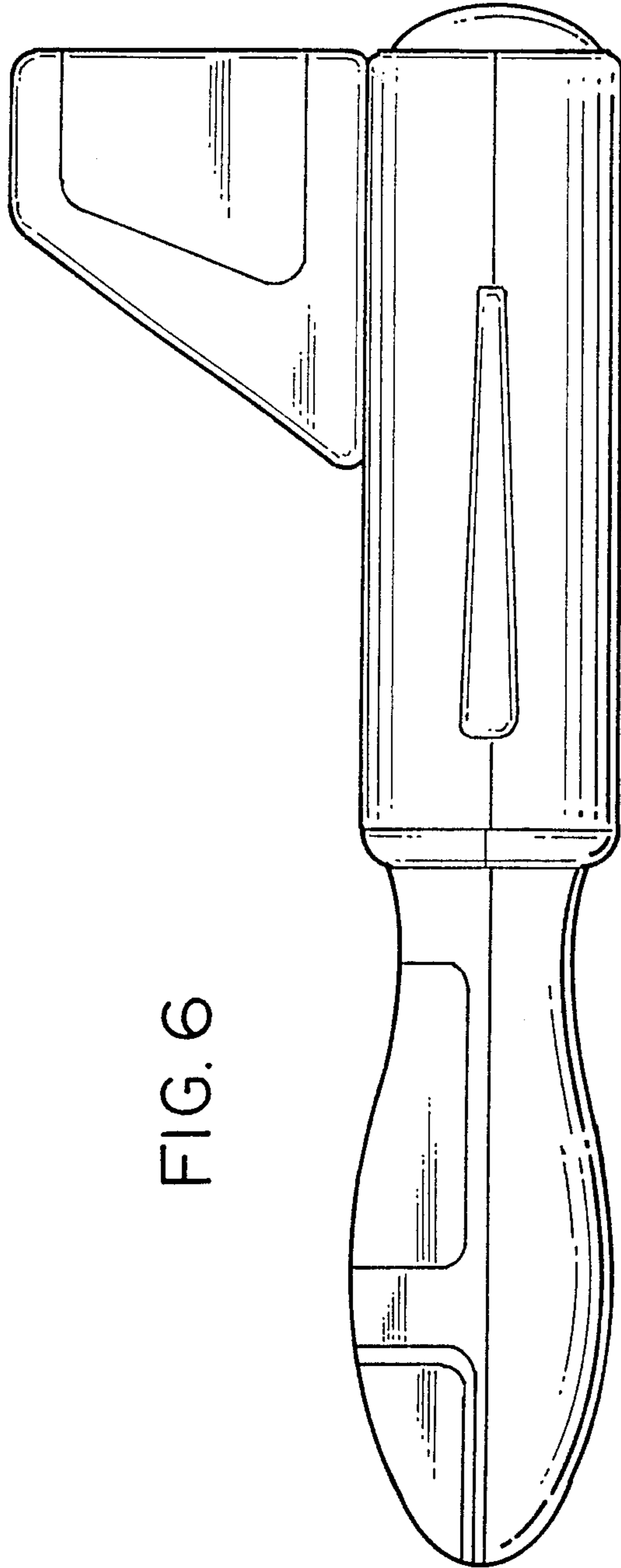


FIG. 6

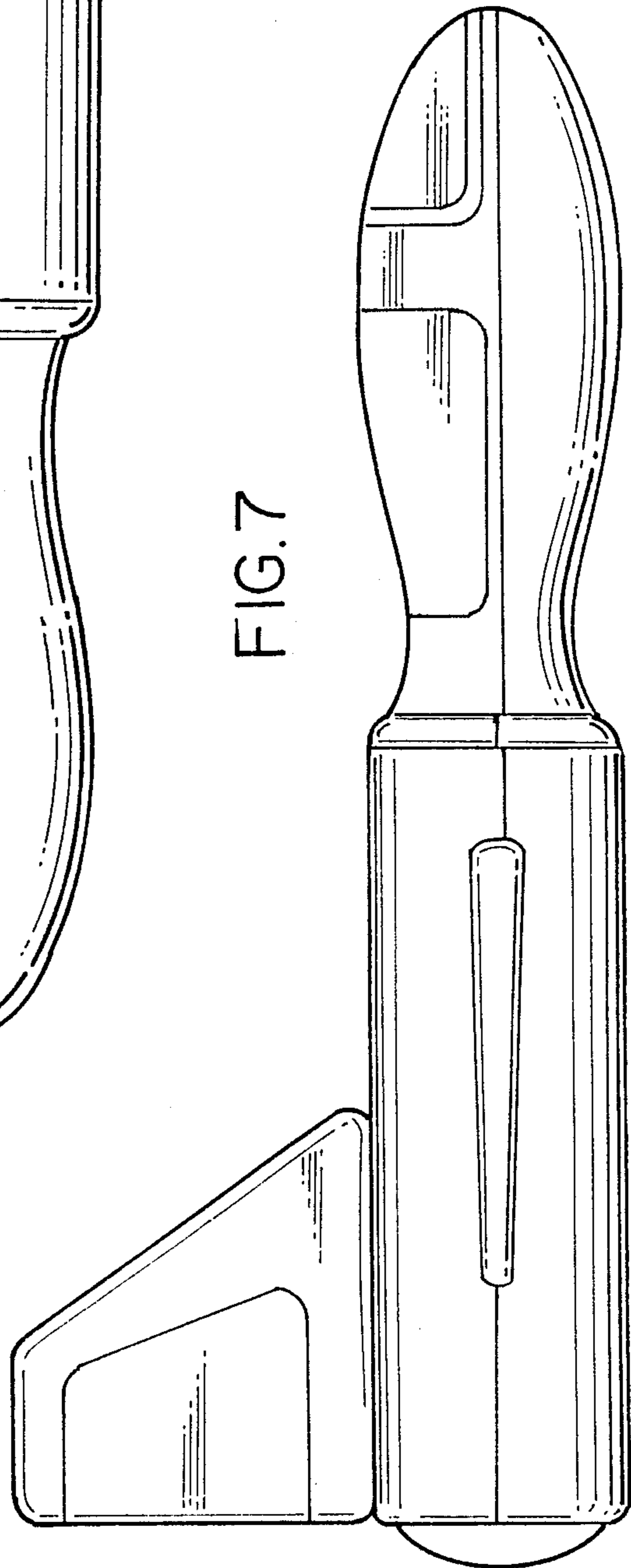


FIG. 7