

[54] **LONG-TUBE HEATLESS CONCENTRATOR**

4,391,779 7/1983 Miskinis ..... 422/99

[75] **Inventor: Paul S. Spock, Spring Mills, Pa.**

*Primary Examiner*—A. Hugo Word  
*Assistant Examiner*—Stella M. Reid

[73] **Assignee: Supelco Inc., Bellefonte, Pa.**

[\*\*] **Term: 14 Years**

[57] **CLAIM**

[21] **Appl. No.: 133,697**

The ornamental design for a long-tube heatless concentrator, as shown and described.

[22] **Filed: Dec. 16, 1987**

[52] **U.S. Cl. .... D24/29; D24/8**

[58] **Field of Search ..... D24/8, 99, 29; 422/99, 422/102, 103**

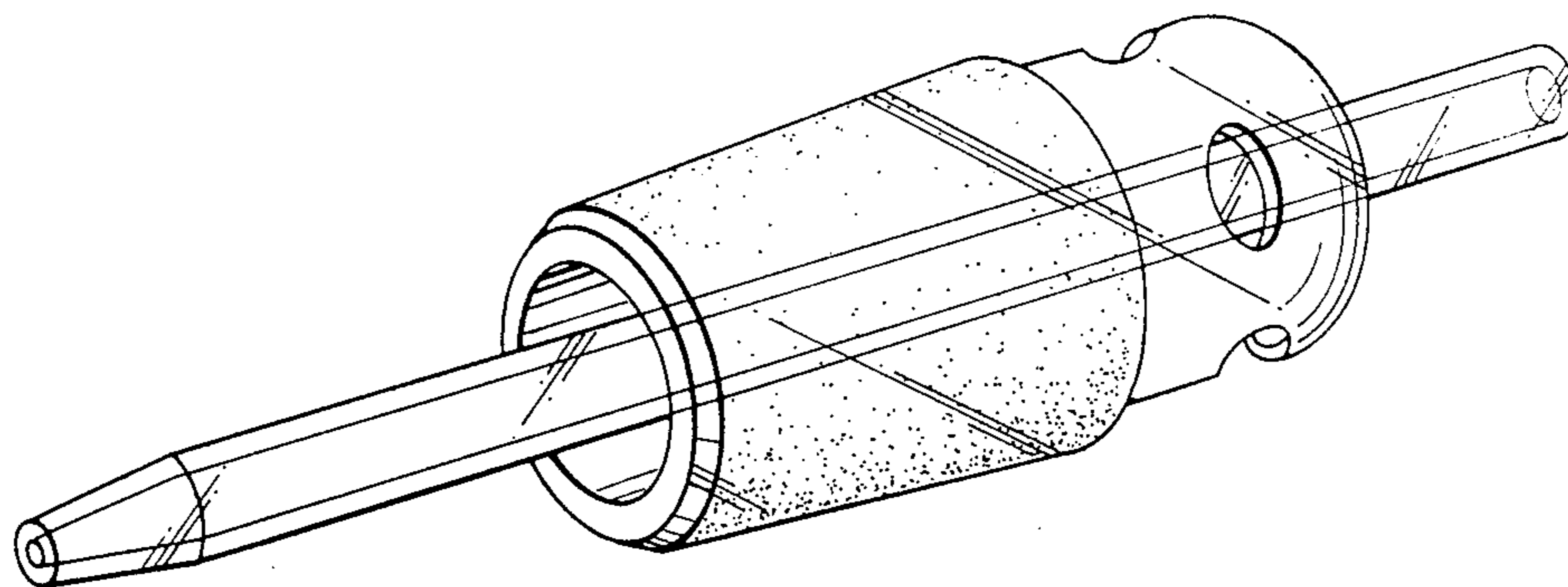
**DESCRIPTION**

[56] **References Cited**

**U.S. PATENT DOCUMENTS**

D. 296,241 6/1988 Miskinis ..... D24/29

FIG. 1 is a front elevational view of a long-tube heatless concentrator, showing my new design;  
FIG. 2 is a side elevational view thereof, turned 90° with respect to FIG. 1;  
FIG. 3 is a top plan view thereof;  
FIG. 4 is a bottom plan view thereof; and  
FIG. 5 is a perspective view thereof.



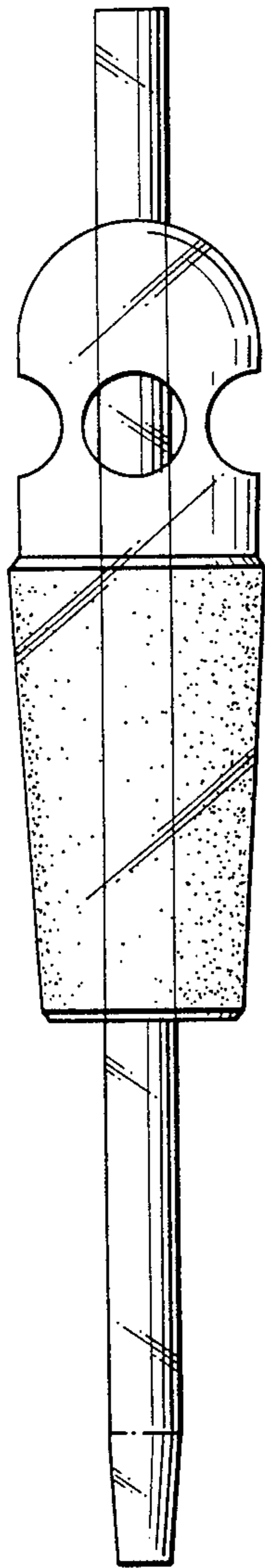


FIG. 1

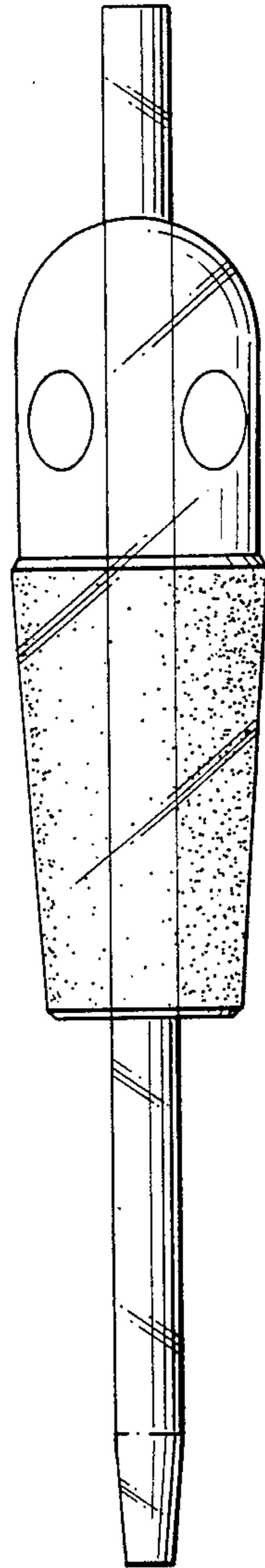


FIG. 2

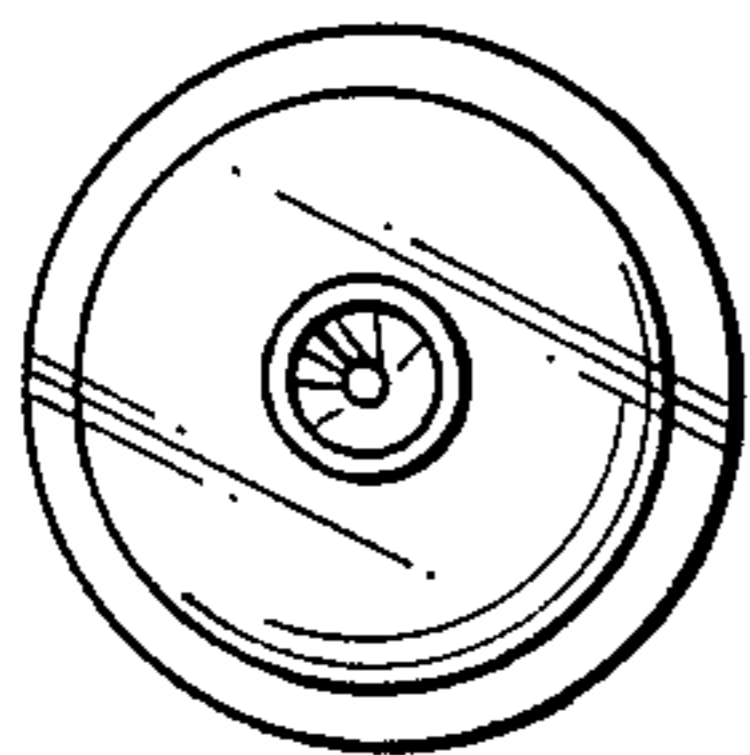


FIG. 3

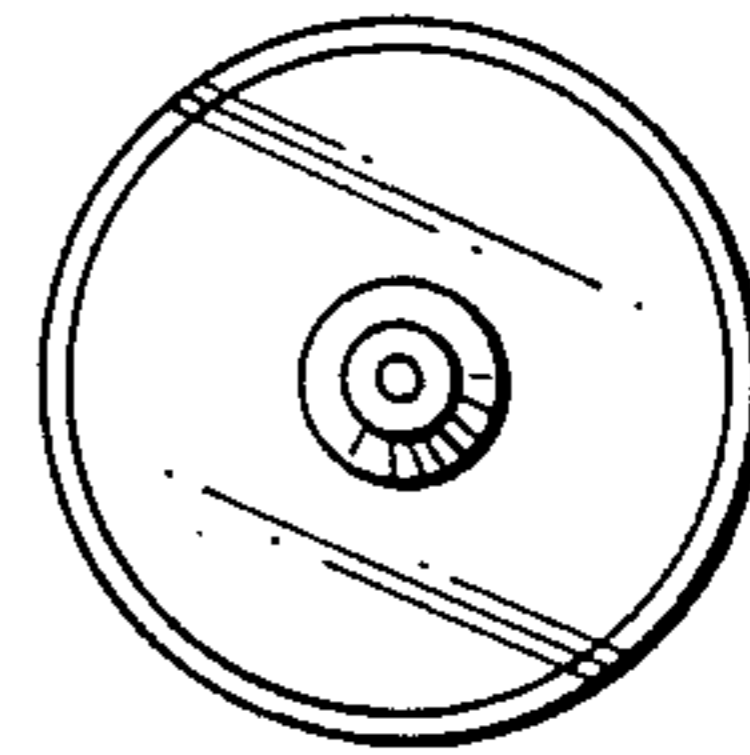


FIG. 4

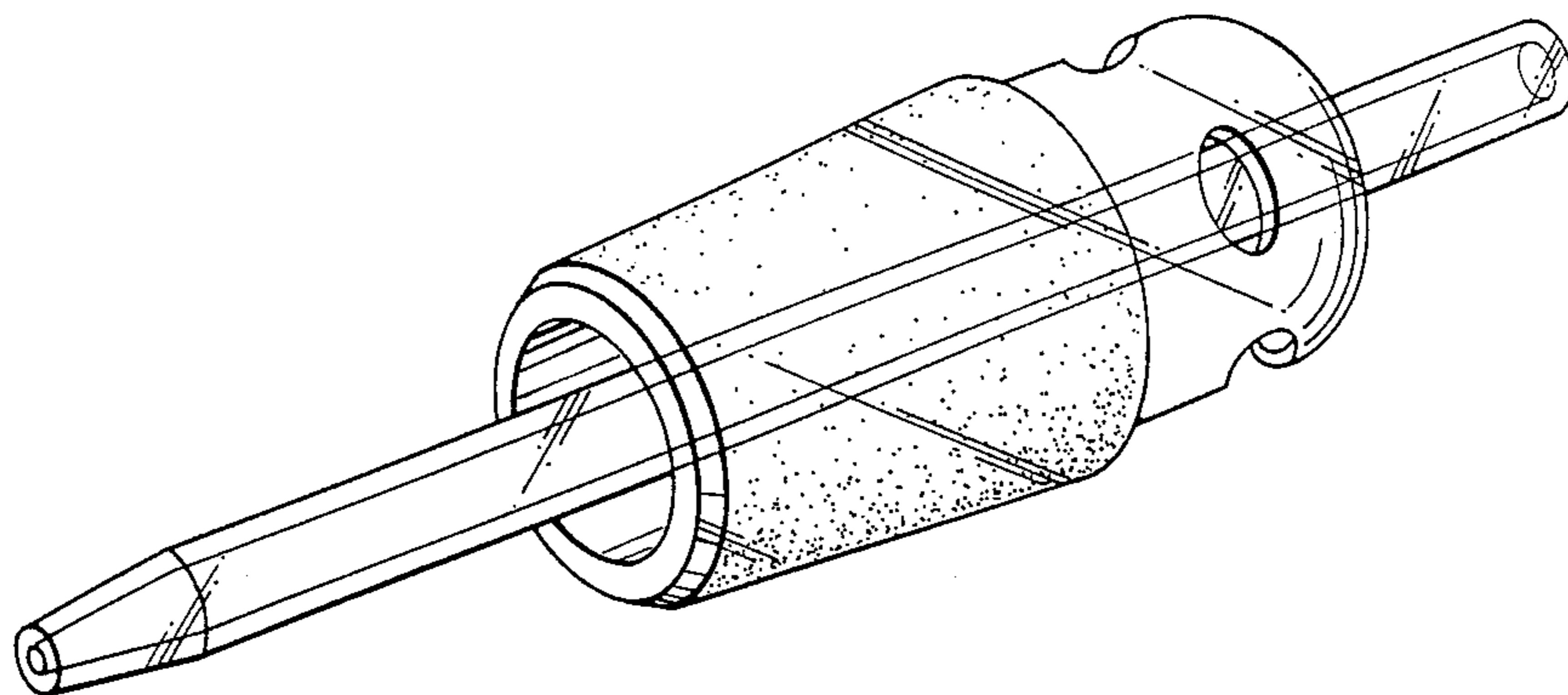


FIG. 5