

[54] **SYRINGE JACKET WITH PLUNGER HANDLE**

[75] Inventors: **Gary D. Bradrick, Camarillo; Robert B. Guthrie, Oxnard, both of Calif.**

[73] Assignee: **Spectramed, Inc., Oxnard, Calif.**

[\*\*] Term: **14 Years**

[21] Appl. No.: **186,187**

[22] Filed: **Apr. 26, 1988**

[52] U.S. Cl. .... **D24/25; D24/24**

[58] Field of Search ..... **D24/25, 24; 604/227, 604/218, 232, 241**

[56] **References Cited**

**U.S. PATENT DOCUMENTS**

D. 303,010	8/1989	Tabbusch .....	D24/24
D. 306,069	2/1990	Kelly et al. ....	D24/24
1,589,046	6/1926	Brix .....	604/227
2,778,361	1/1957	Houston .....	604/227 X
4,687,472	2/1987	Gross .....	604/227 X

*Primary Examiner*—A. Hugo Word

*Assistant Examiner*—Stella M. Reid

*Attorney, Agent, or Firm*—Roger M. Rathbun; Larry R. Cassett

[57] **CLAIM**

The ornamental design for a syringe jacket with plunger handle, as shown and described.

**DESCRIPTION**

FIG. 1 is a perspective view of a syringe jacket with handle, showing our new design;

FIG. 2 is a front elevational view thereof, the rear elevational view being identical thereto;

FIG. 3 is a bottom plan view of the handle only, taken along the line 3—3 in FIG. 2;

FIG. 4 is a top plan view of the syringe jacket only, taken along the line 4—4 in FIG. 2;

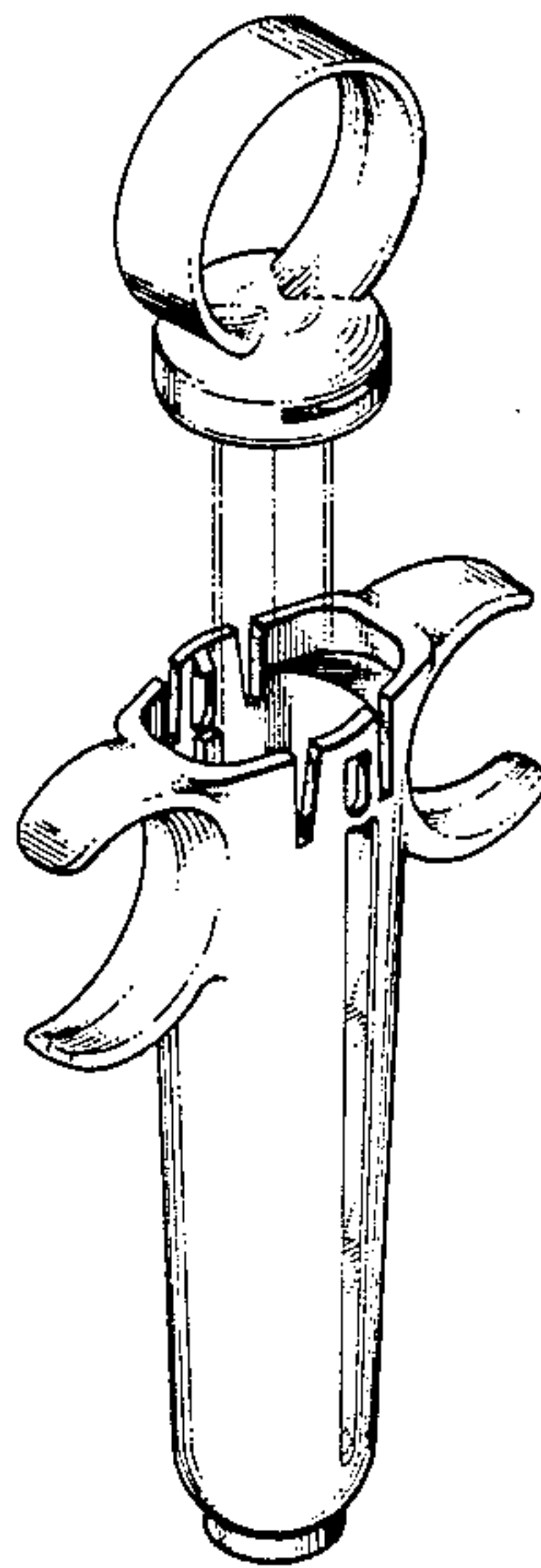
FIG. 5 is a side elevational view thereof, the opposite side being identical thereto;

FIG. 6 is a top plan view thereof;

FIG. 7 is a bottom plan view thereof; and

FIG. 8 is an enlarged fragmentary front elevational view thereof, taken along line 8—8 of FIG. 5;

The broken line showing in FIGS. 1, 2 and 5 is for illustrative purposes only and forms no part of the claimed design.



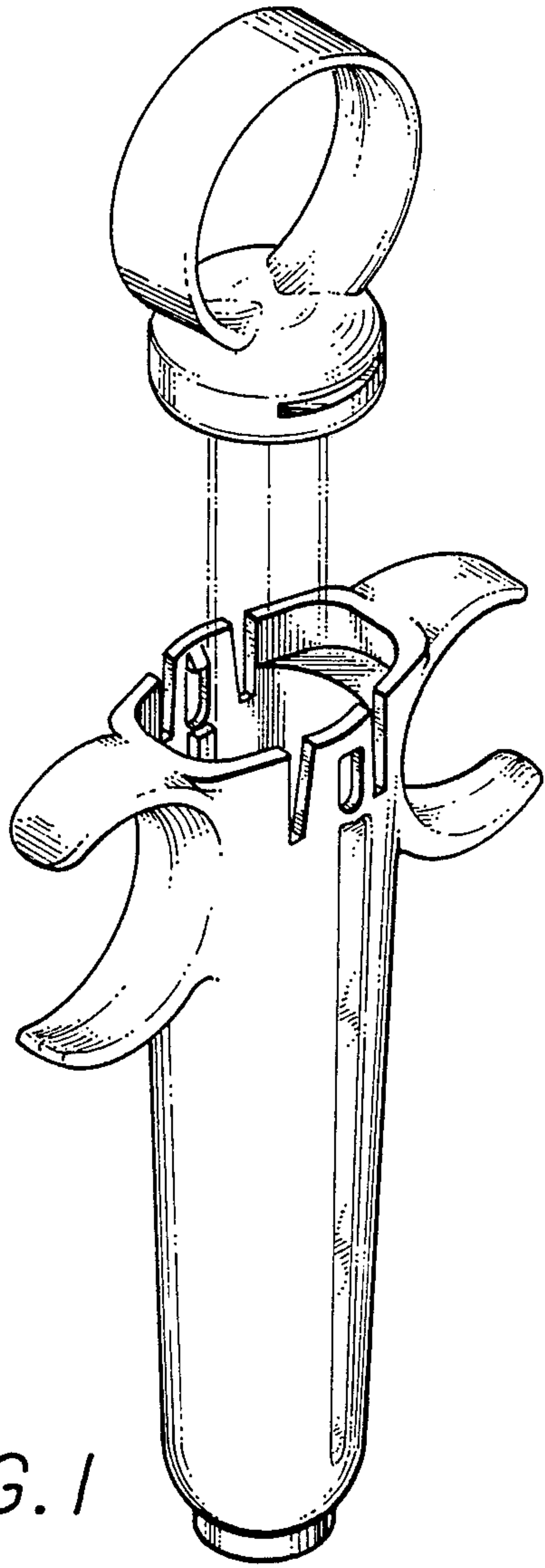


FIG. 1

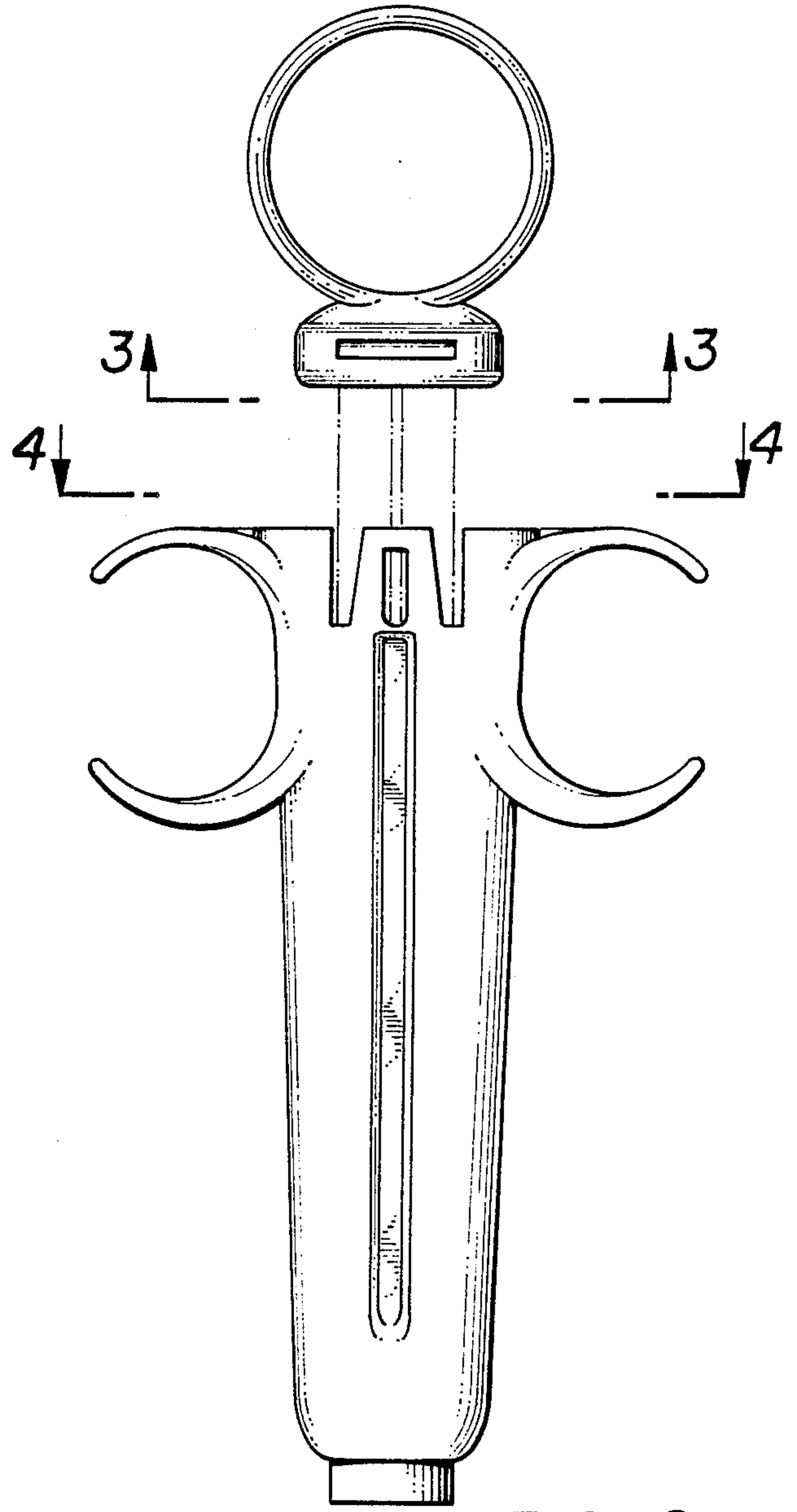


FIG. 2

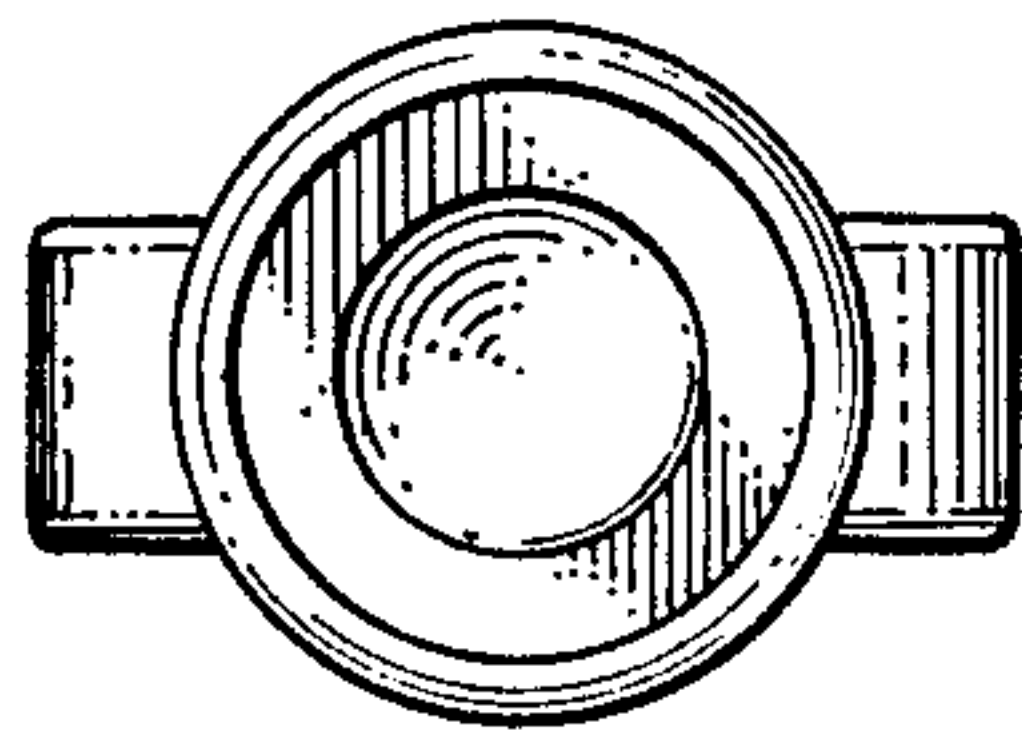


FIG. 3

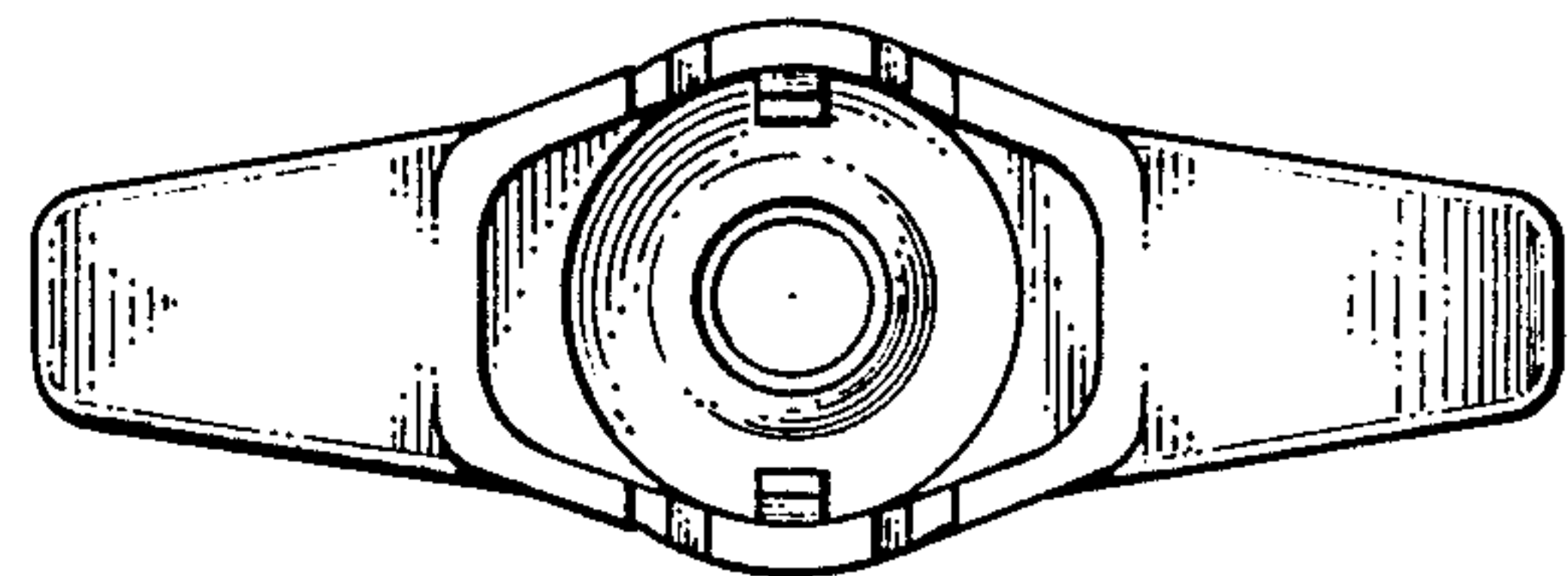


FIG. 4

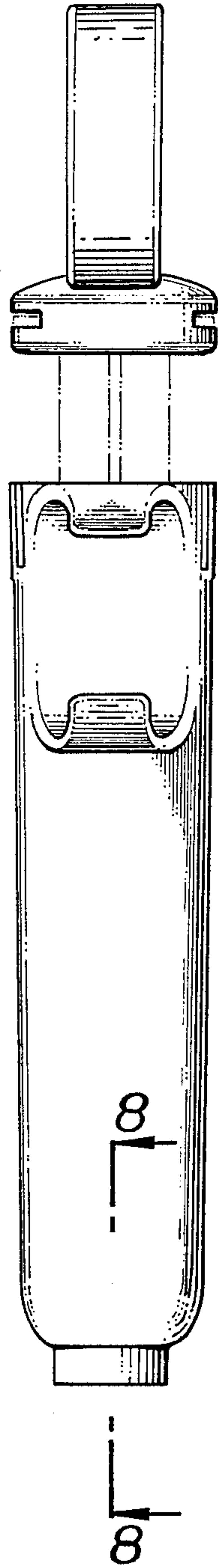


FIG. 5

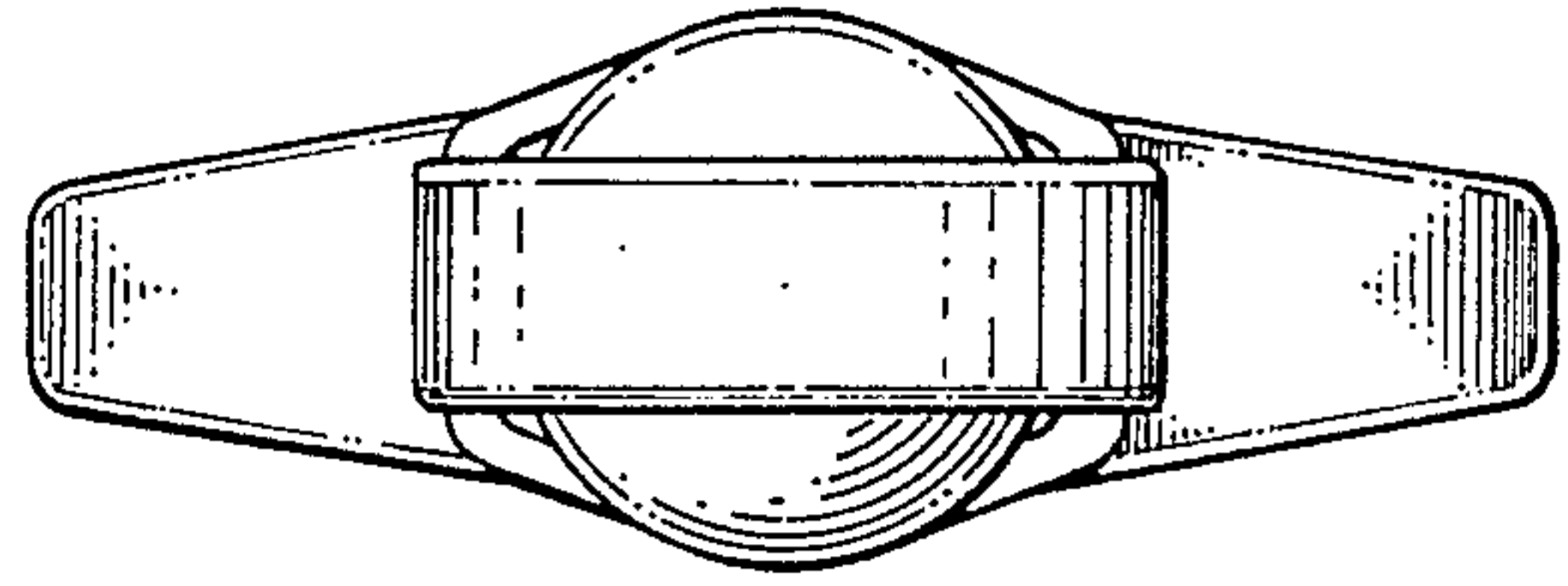


FIG. 6

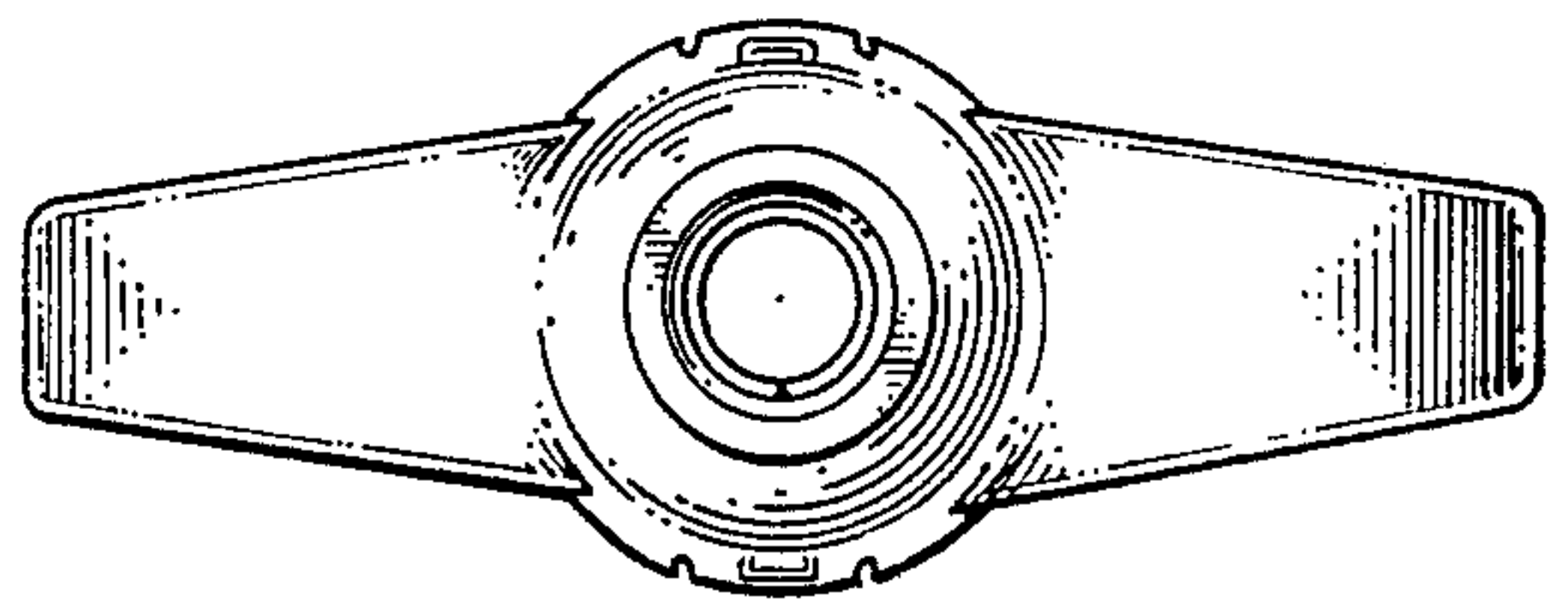


FIG. 7

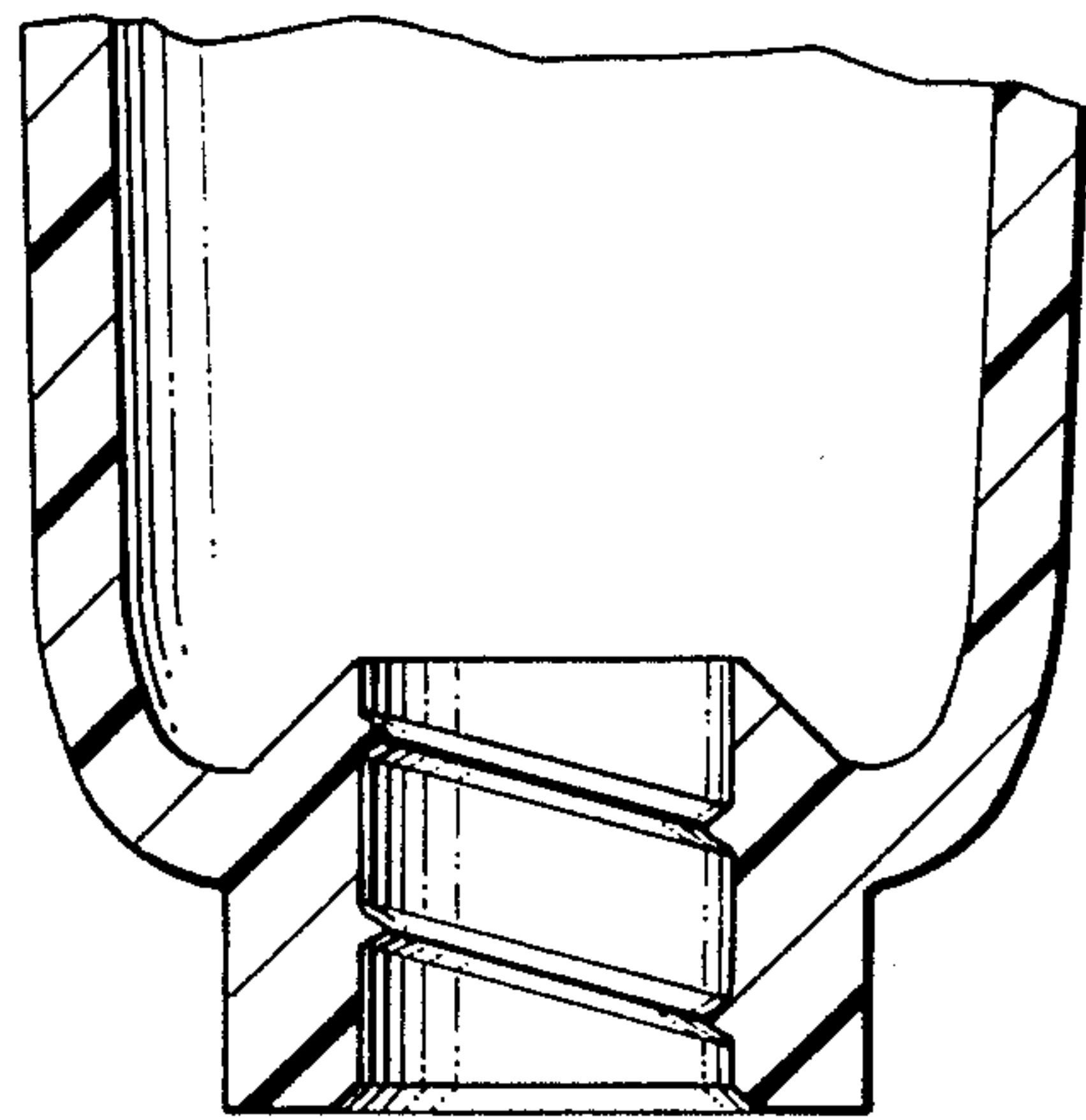


FIG. 8