

[54] **COMBINED BOTTLE AND SYRINGE
SUPPORT FOR USE IN INSULIN
WITHDRAWAL**

4,252,159 2/1981 Maki 141/27
4,338,935 7/1982 Wilson D24/25 X
4,434,820 3/1984 Glass 141/2

[76] Inventor: **James K. Young**, 25460 Fairgrove,
Woodhaven, Mich. 48183

Primary Examiner—Stella M. Reid
Attorney, Agent, or Firm—Joseph J. Goluban

[**] Term: **14 Years**

[57] **CLAIM**

[21] Appl. No.: **65,717**

The ornamental design for a combined bottle and syringe support for use in insulin withdrawal, as shown and described.

[22] Filed: **Jun. 24, 1987**

[52] U.S. Cl. **D24/8; D24/99**

[58] Field of Search **D24/8, 25, 1.1;
248/214, 316.7, 291, 311.3; 604/181, 208, 414,
407**

DESCRIPTION

FIG. 1 is a perspective view of a combined bottle syringe support for use in insulin withdrawal, showing my new design;

FIG. 2 is a front elevational view thereof;

FIG. 3 is a left side elevational view thereof;

FIG. 4 is a bottom plan view thereof;

FIG. 5 is a top plan view thereof;

FIG. 6 is a right side elevational view thereof; and

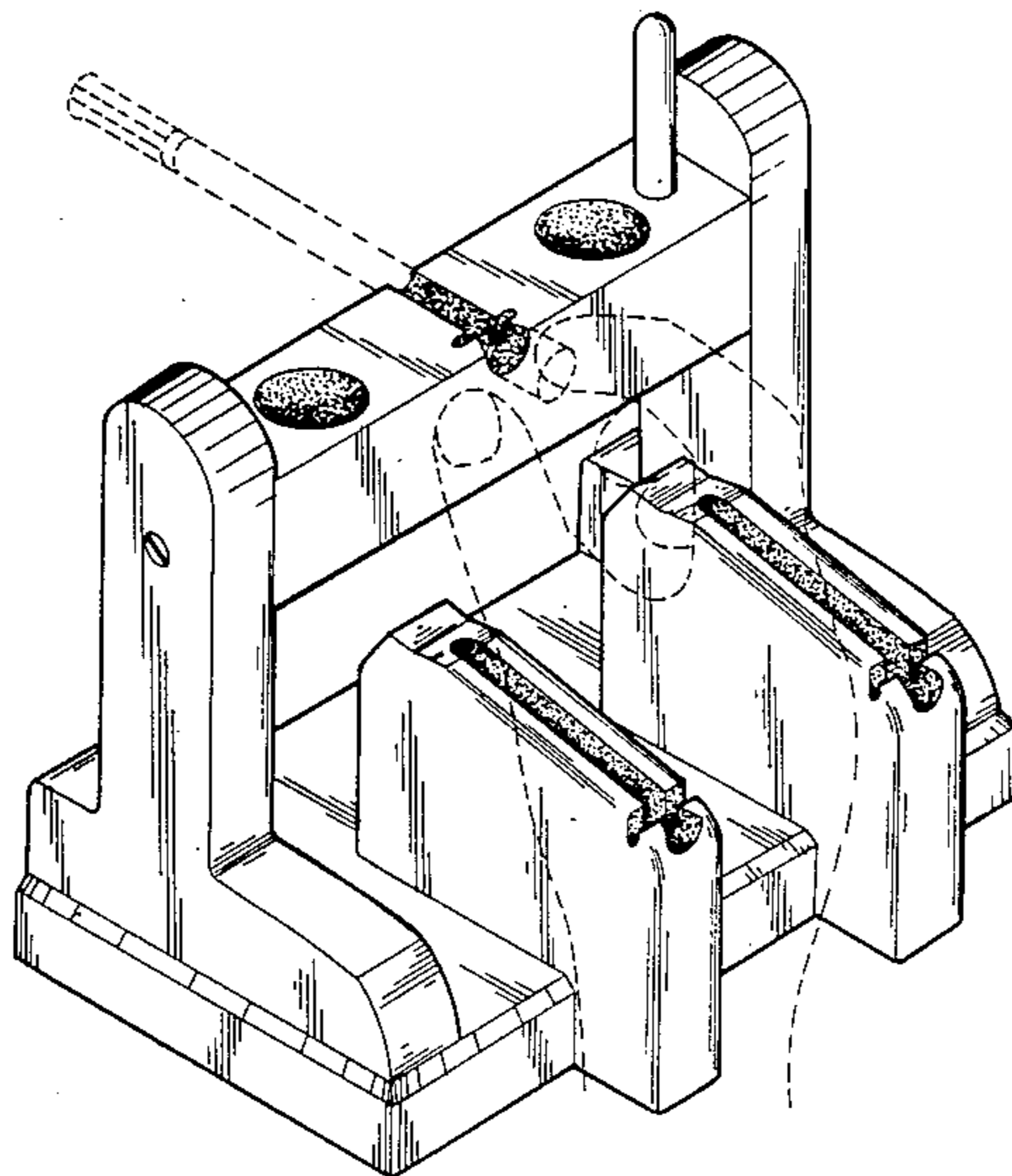
FIG. 7 is a rear elevational view thereof.

The broken line showing in FIGS. 1 and 3 is for illustrative purposes only and forms no part of the claimed design.

[56] **References Cited**

U.S. PATENT DOCUMENTS

2,677,372 5/1954 Barnish, Jr. D24/25 X
2,861,570 11/1958 Beecher 604/407
3,602,272 8/1971 Stewski 141/27
3,610,241 10/1971 LeMarie 604/407
3,853,158 12/1974 Whitty 604/414 X
3,875,979 4/1975 Hults 141/27
4,219,055 8/1980 Syring 141/27



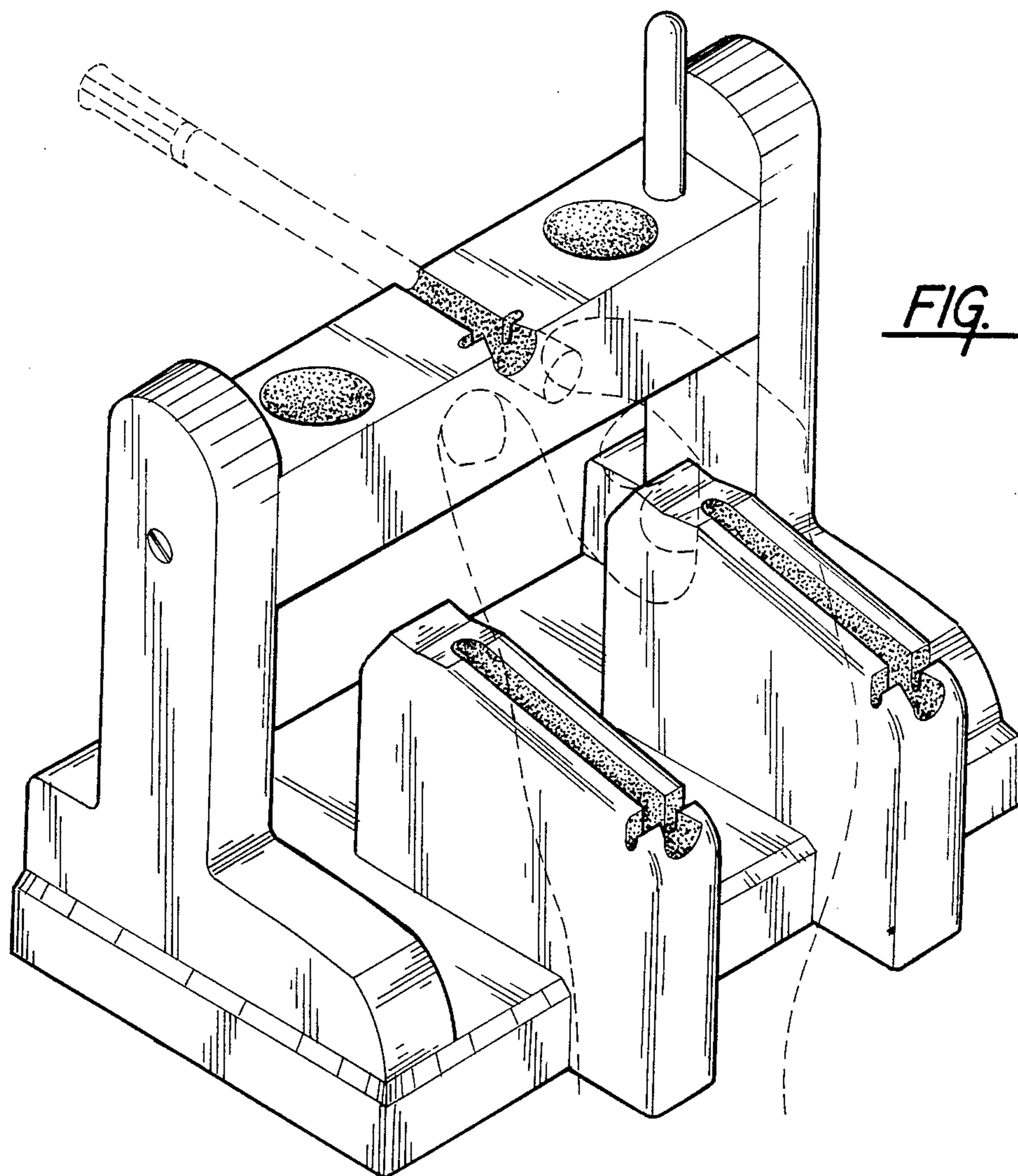


FIG. 1

FIG. 2

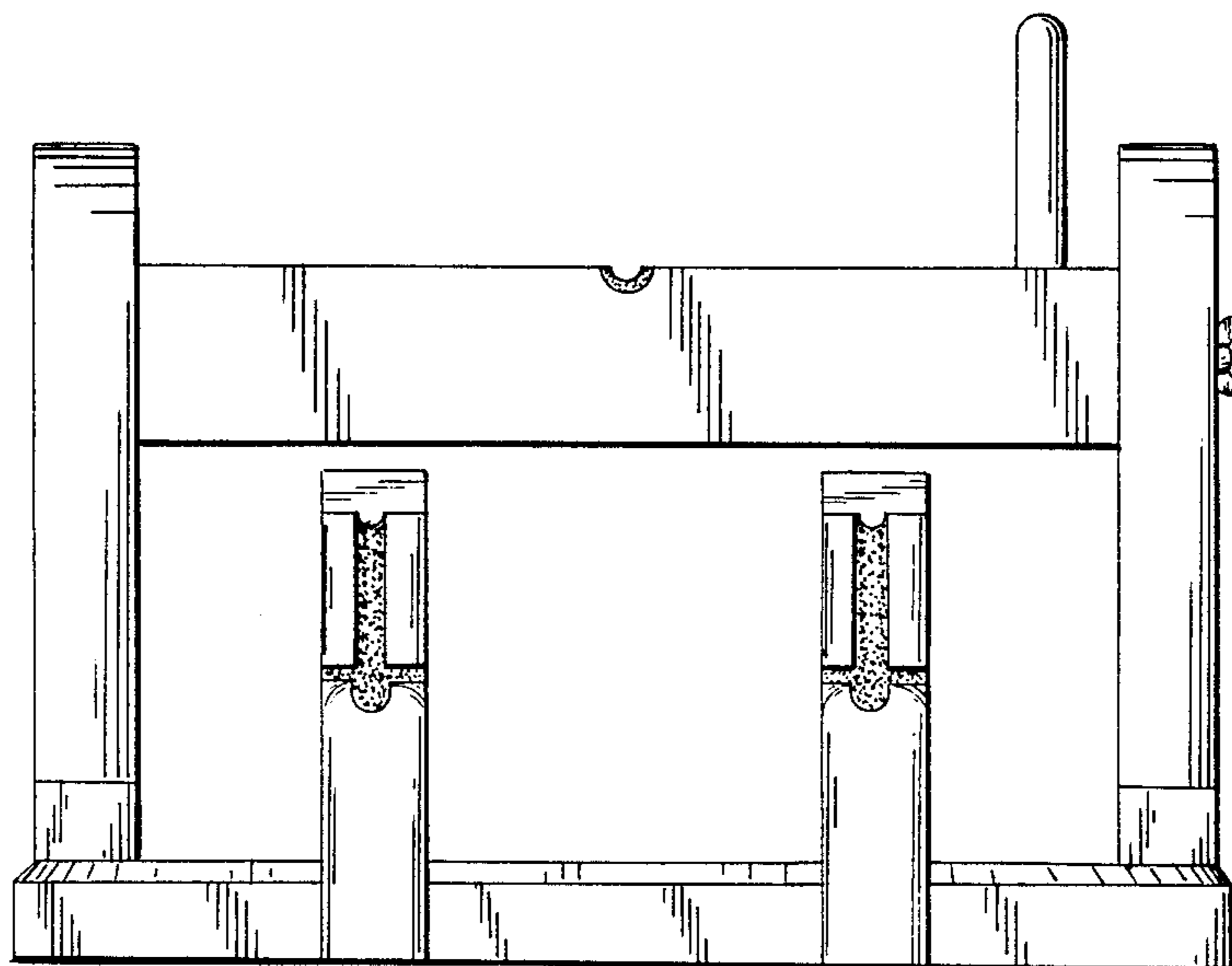


FIG. 3

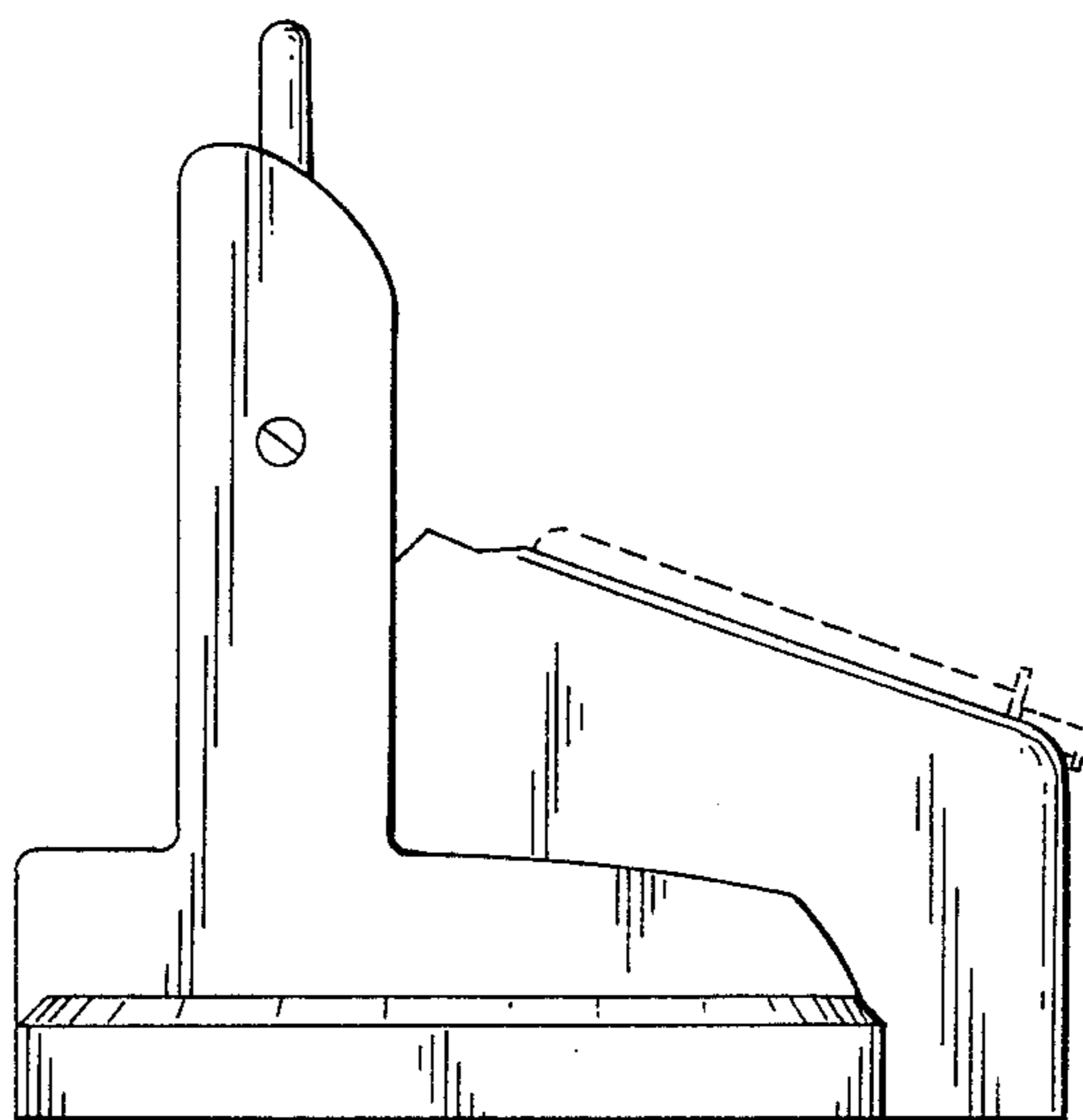
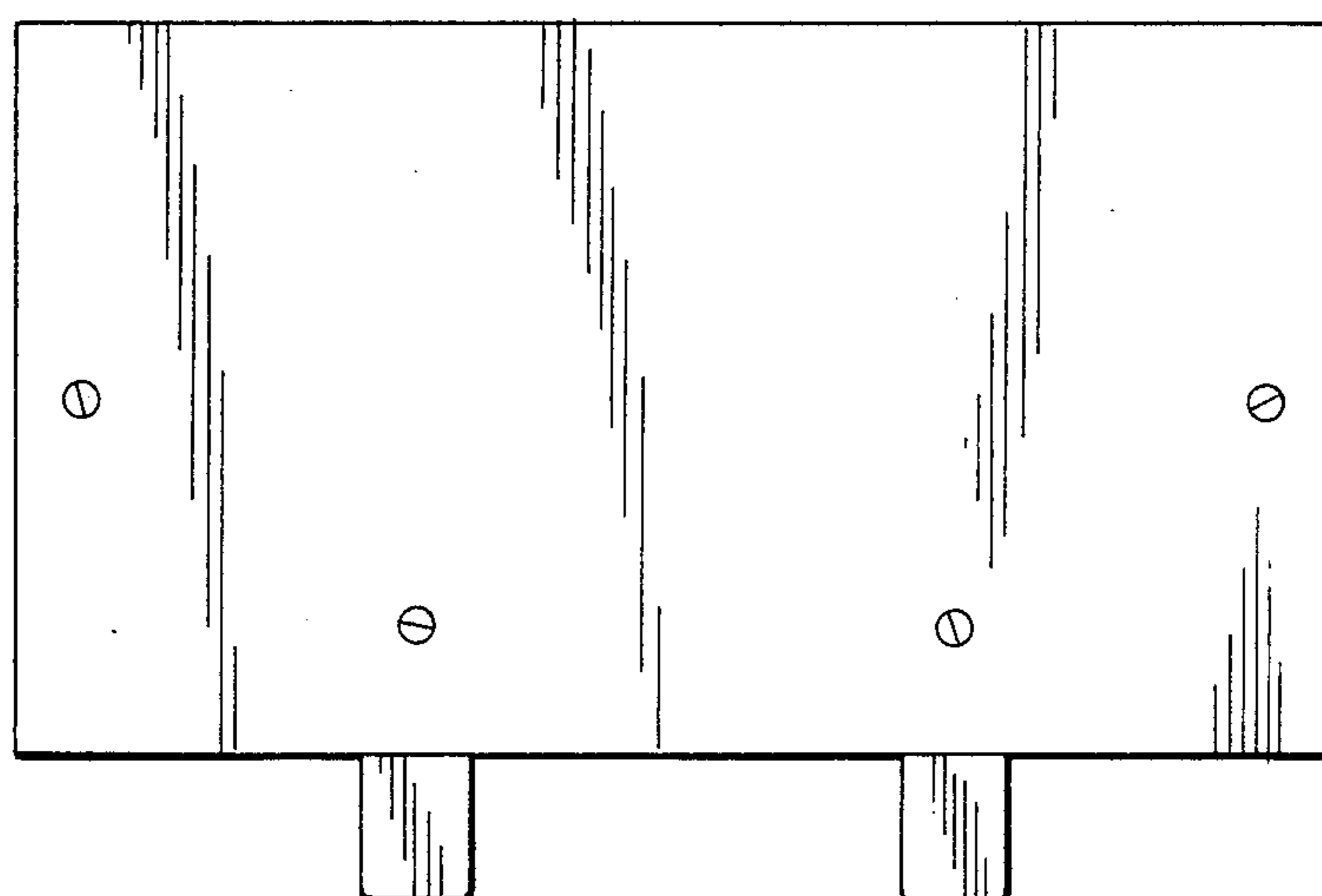


FIG. 4



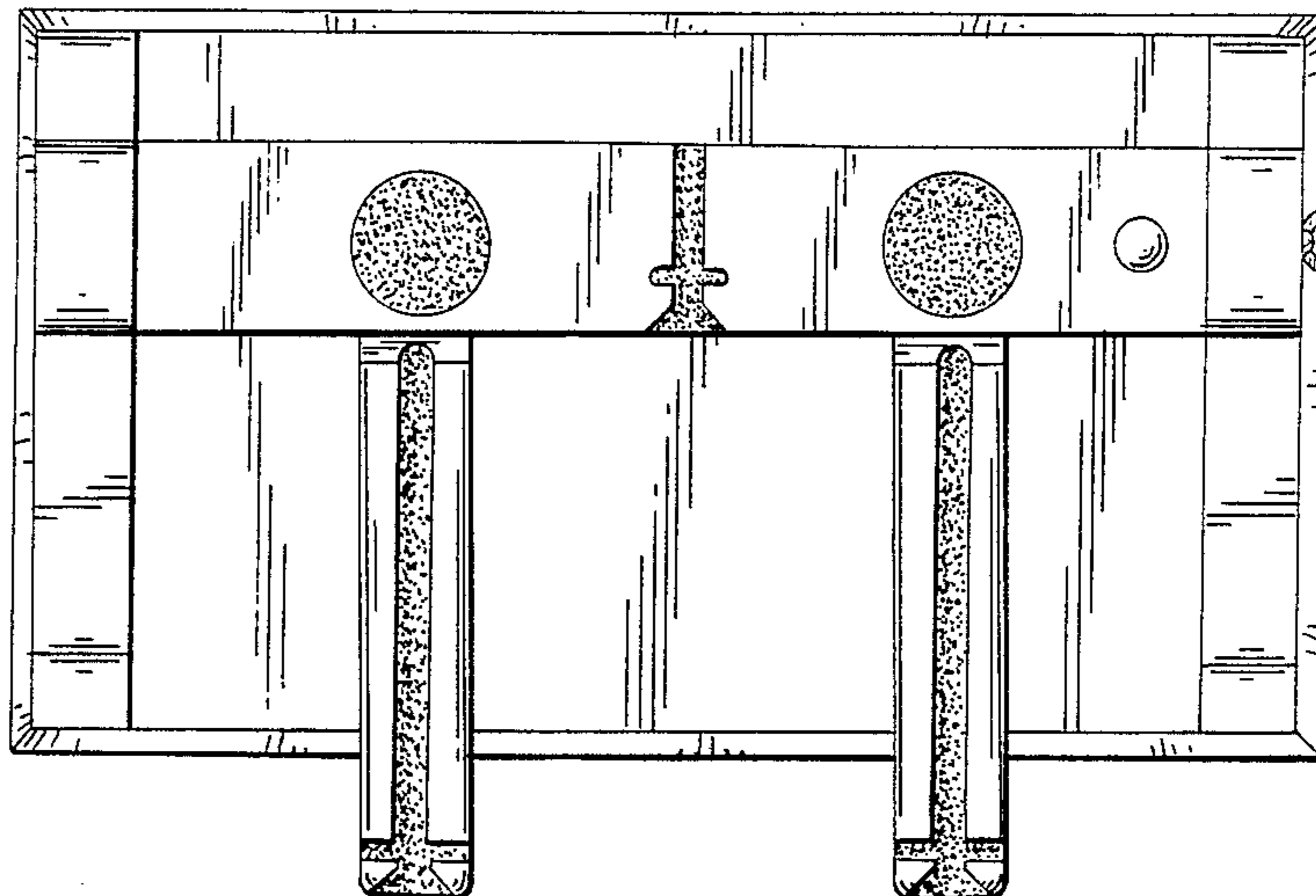


FIG. 5

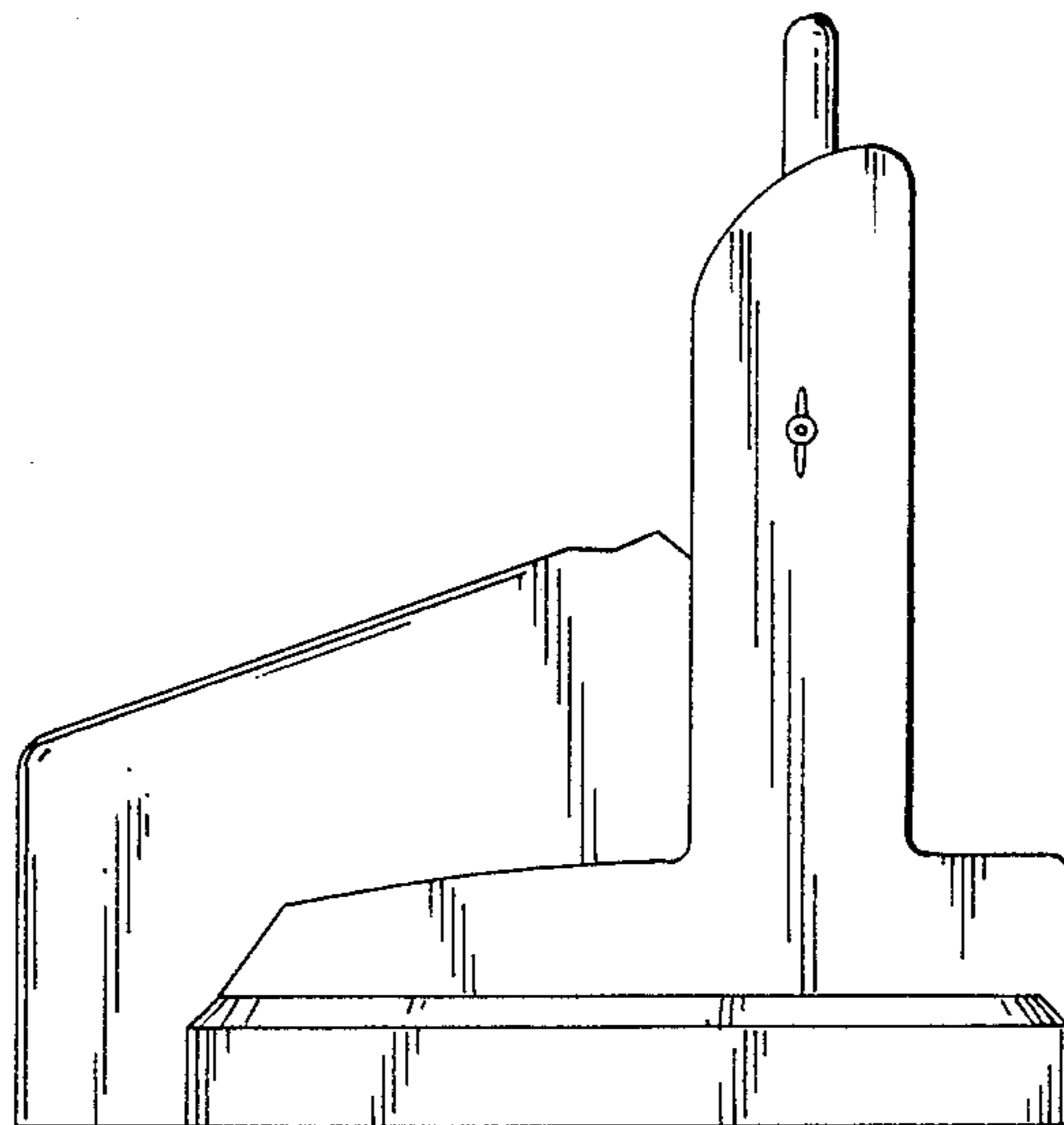


FIG. 6

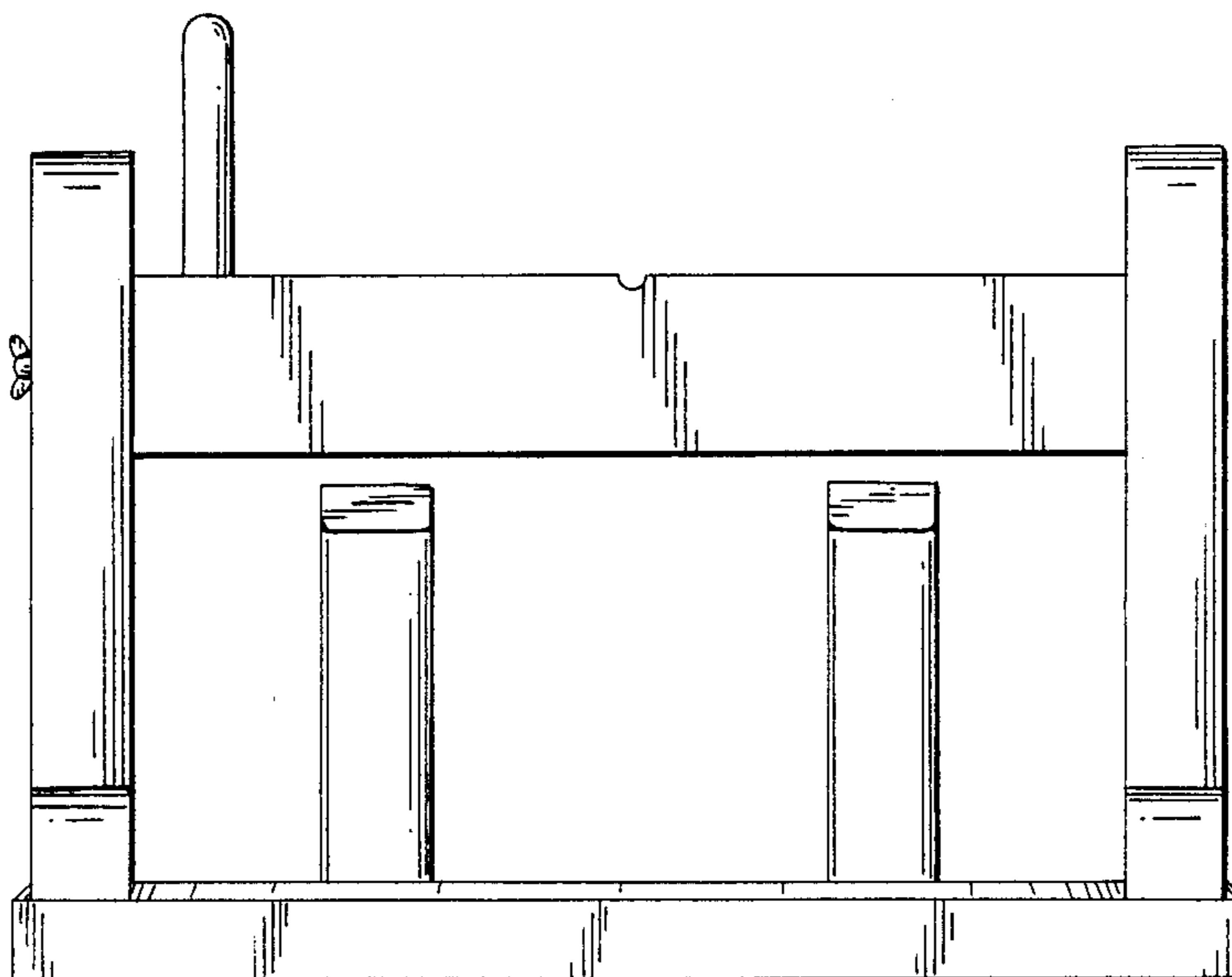


FIG. 7