

[54] OXY-FUEL BURNER FOR USE IN A METALLURGICAL FURNACE

[75] Inventors: Joseph S. Becker, Schnecksville; Arthur J. McAfee; Mark B. Wells, both of Allentown; Thomas C. Kidd, Zionsville; John C. Mullane, Jr., Allentown, all of Pa.

[73] Assignee: Air Products and Chemicals, Inc., Allentown, Pa.

[**] Term: 14 Years

[21] Appl. No.: 121,811

[22] Filed: Nov. 16, 1987

[52] U.S. Cl. D23/415

[58] Field of Search D23/415; 239/405, 406, 239/DIG. 2, 81; 431/158, 159, 345; 175/12, 14; 266/266

[56] References Cited

U.S. PATENT DOCUMENTS

2,040,147	5/1936	McKee	D23/415
3,612,738	10/1971	Jones et al.	239/406
4,060,369	11/1977	Schoute et al.	239/405

Primary Examiner—James M. Gandy
Assistant Examiner—Lisa Lichtenstein
Attorney, Agent, or Firm—James C. Simmons; William F. Marsh

[57] CLAIM

The ornamental design for an oxy-fuel burner for use in a metallurgical furnace, as shown.

DESCRIPTION

FIG. 1 is front right perspective view of an oxy-fuel burner for use in a metallurgical furnace, showing our new design.

FIG. 2 is a front elevational view thereof.

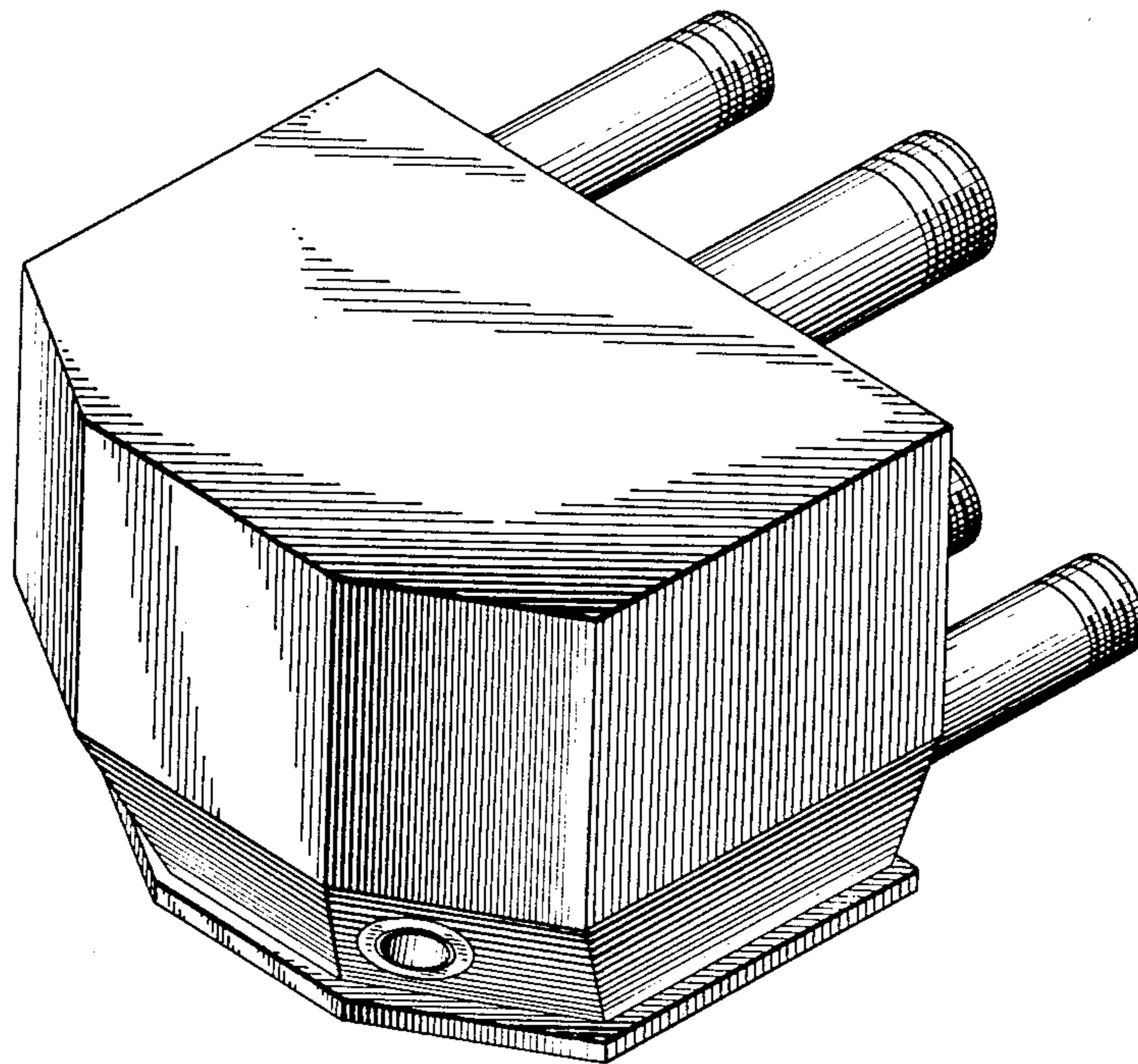
FIG. 3 is a rear elevational view thereof.

FIG. 4 is a right side elevational view thereof.

FIG. 5 is a left side elevational view thereof.

FIG. 6 is a top plan view thereof.

FIG. 7 is a bottom plan view thereof.



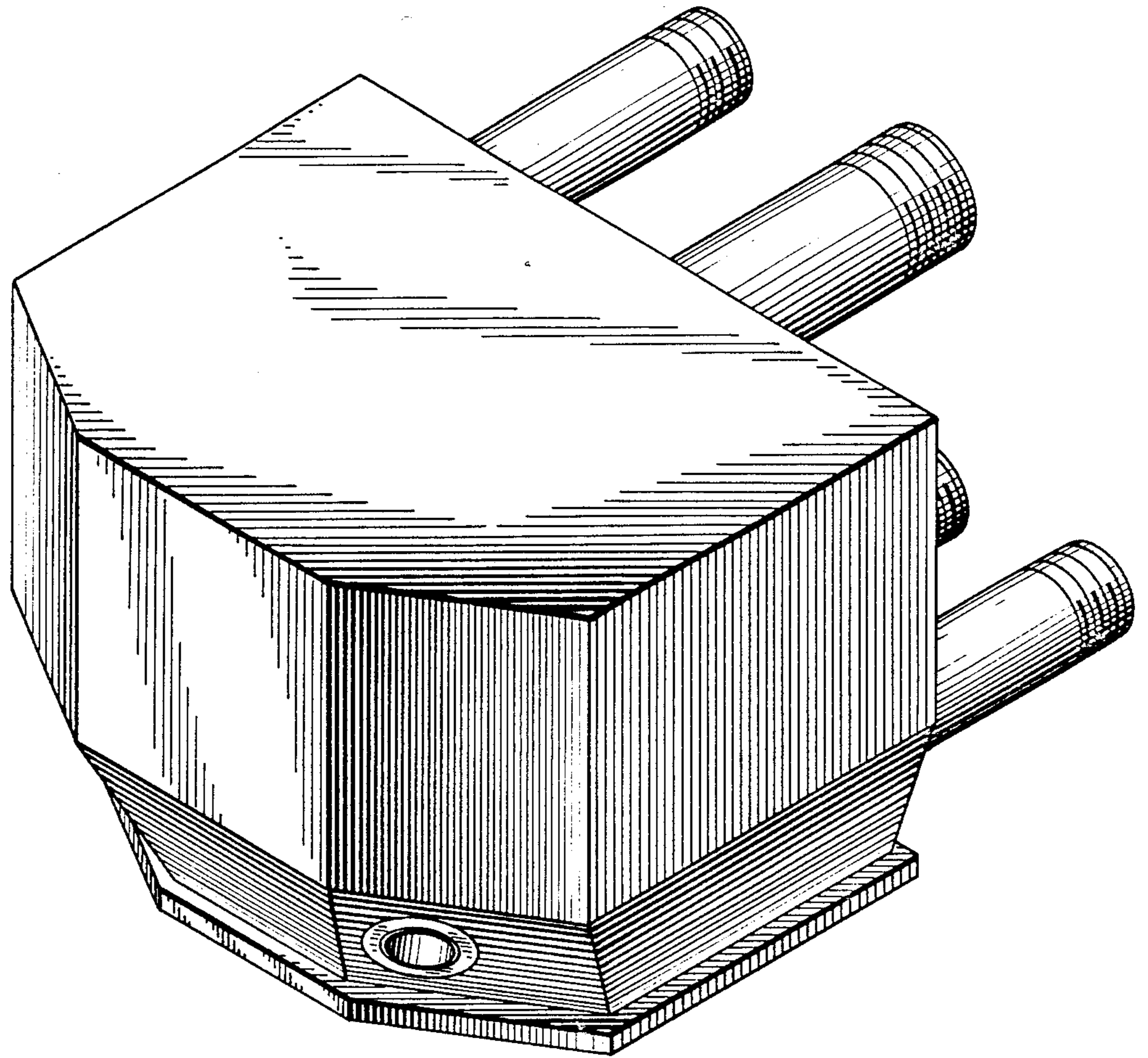


FIG. 1

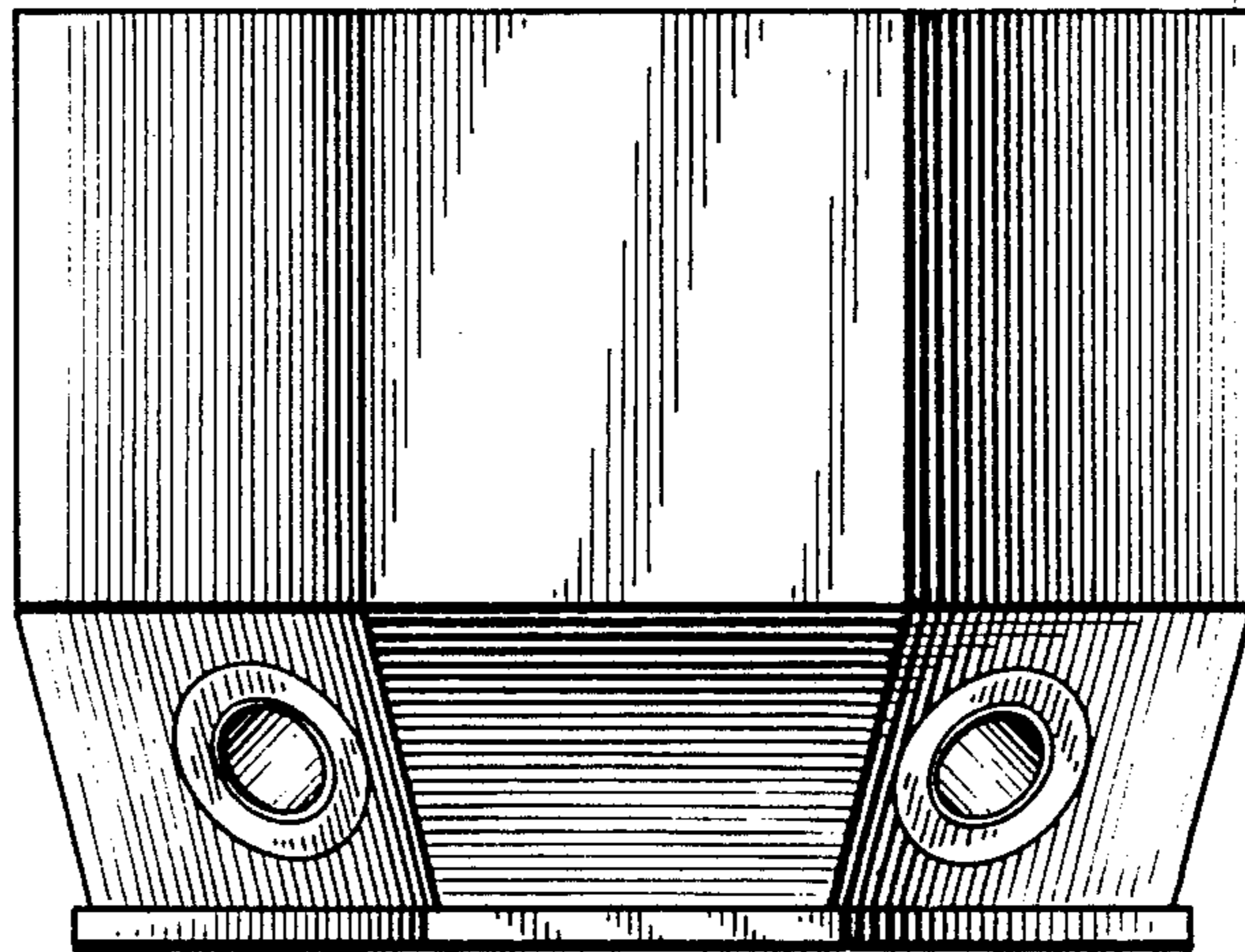


FIG. 2

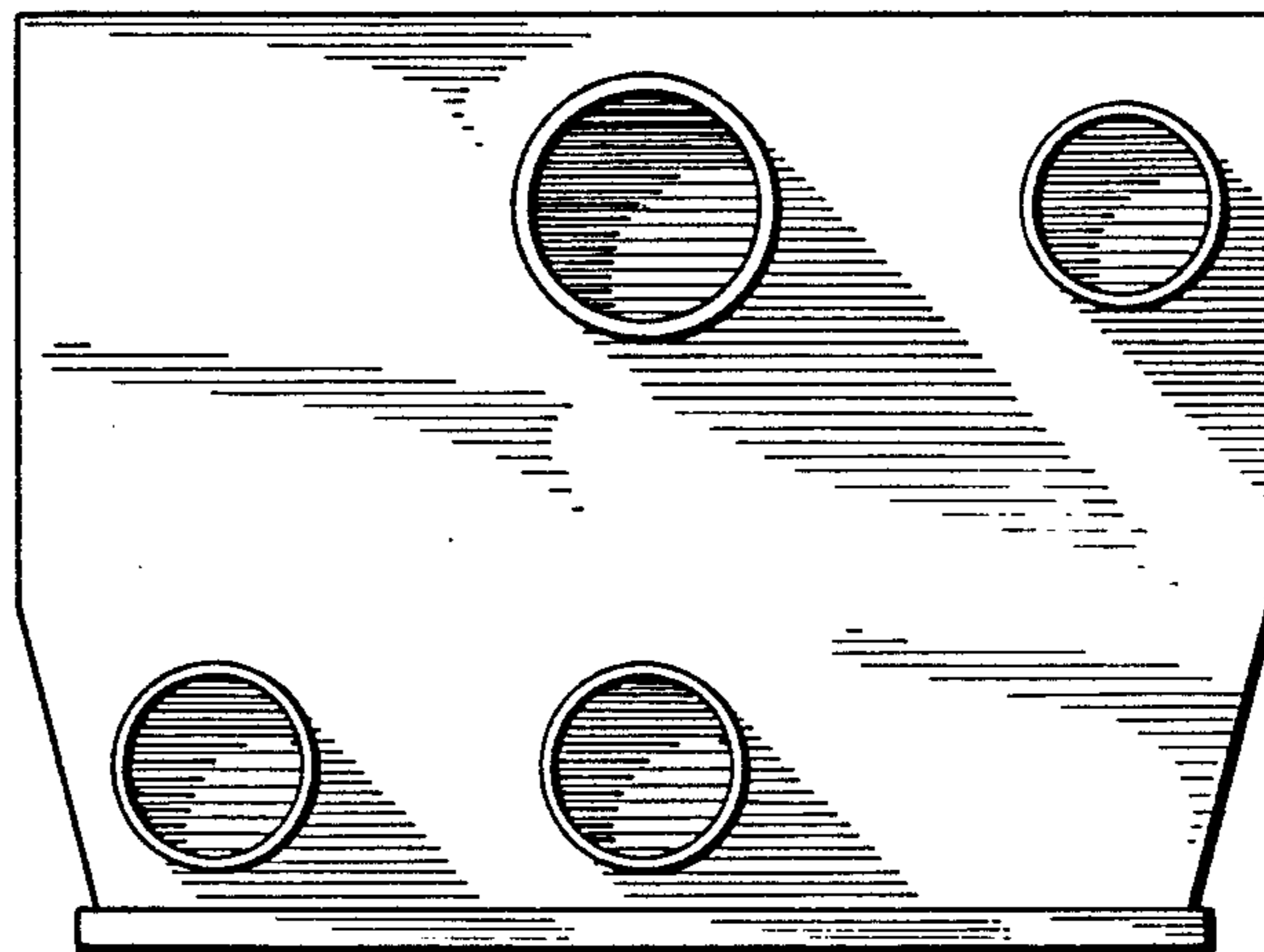


FIG. 3

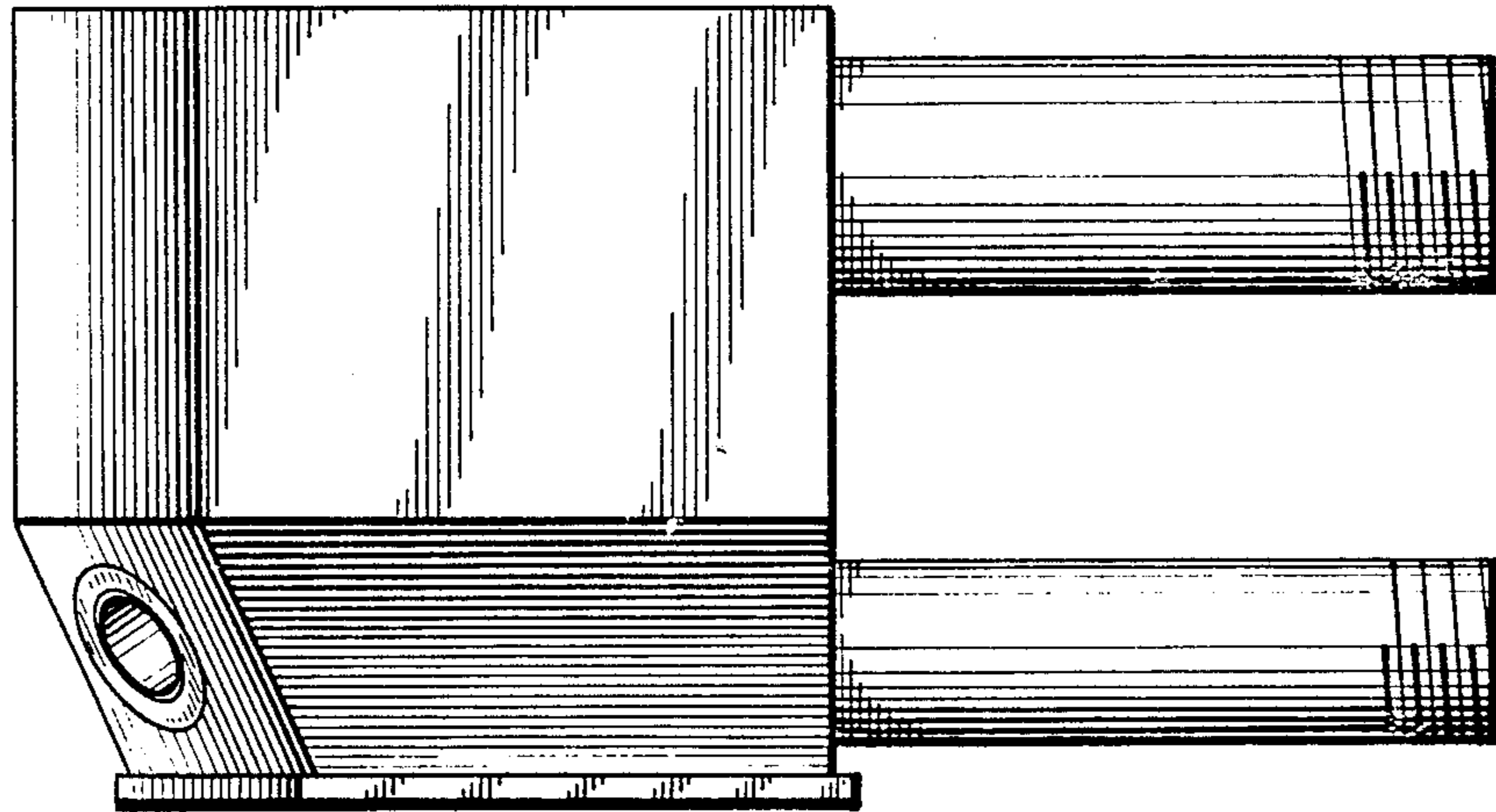


FIG. 4

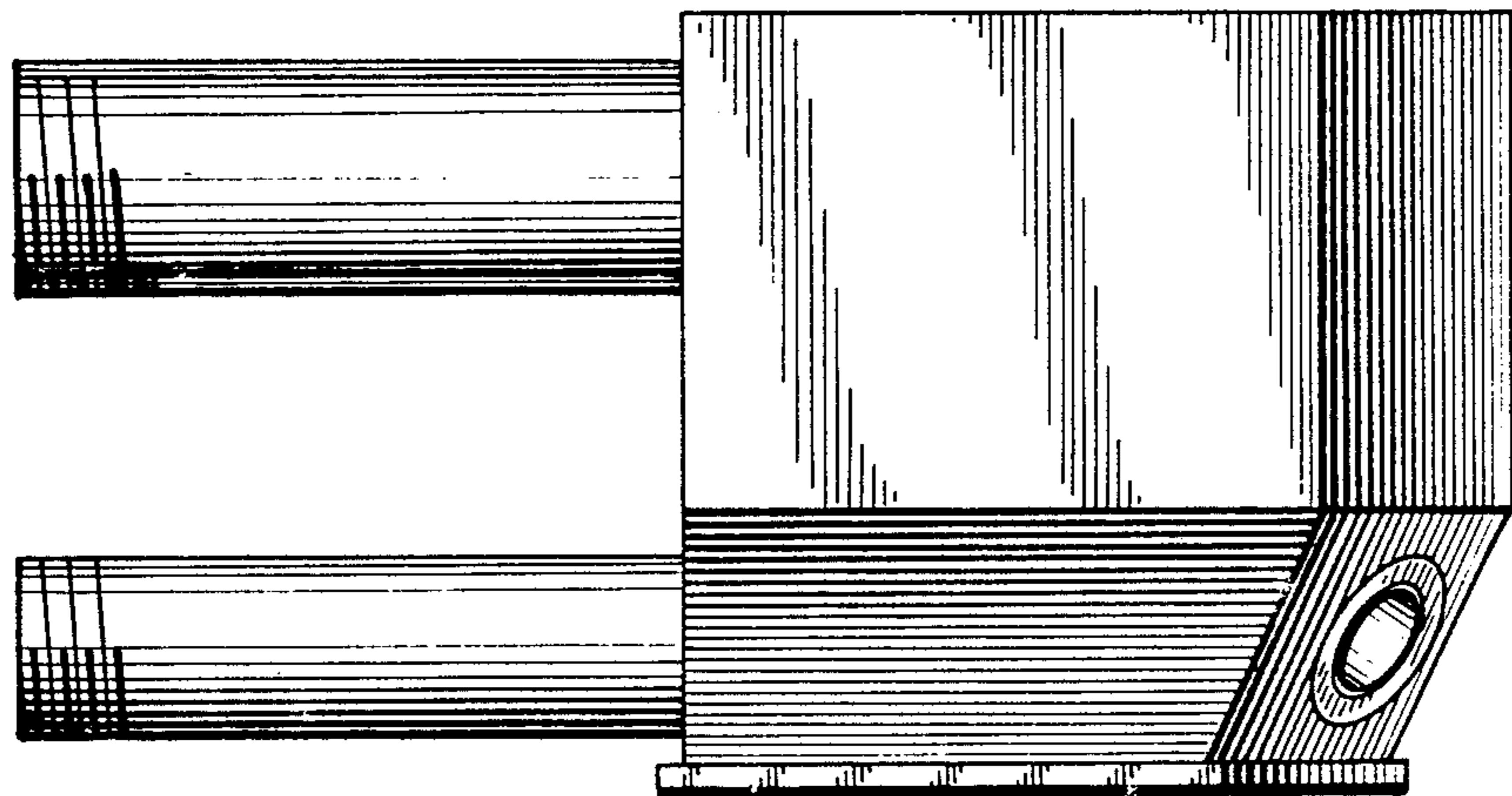


FIG. 5

FIG. 6

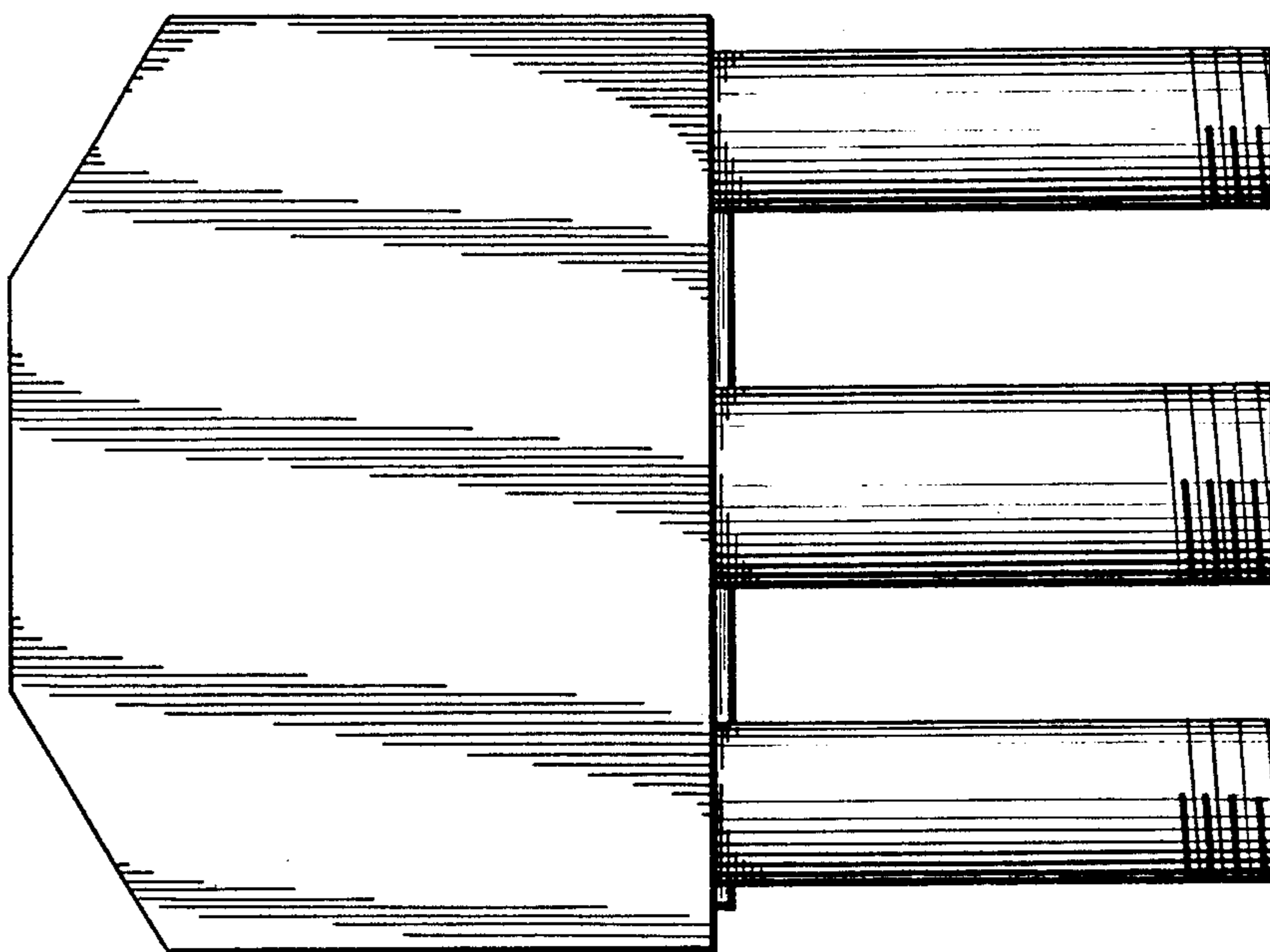


FIG. 7

