

[54] COMBINED OPAQUE GLASS BODY AND CEILING CANOPY FOR A CEILING FAN

[75] Inventor: Ron Rezek, Los Angeles, Calif.

[73] Assignee: Beverly Hills Trading Company, Inc., Los Angeles, Calif.

[**] Term: 14 Years

[21] Appl. No.: 453,940

[22] Filed: Jan. 3, 1990

[52] U.S. Cl. D23/377

[58] Field of Search D23/413, 377, 385, 411; 416/5; D26/72, 81, 84, 85, 88, 91; 362/96

[56] References Cited

U.S. PATENT DOCUMENTS

D. 87,862	10/1932	Ainsworth	D26/88
D. 270,563	9/1983	Phillips	D26/59
D. 304,229	10/1989	Rezek	D23/377
2,258,731	10/1941	Blumenthal	362/96
4,342,073	7/1982	Ranten	416/5
4,402,649	9/1983	Laurel	416/5

OTHER PUBLICATIONS

Metropolitan Home (Sep. 1989), p. 32, Ceiling Fan, Exhibit B, bottom of page.

Primary Examiner—James M. Gandy
Assistant Examiner—Lisa Lichtenstein
Attorney, Agent, or Firm—Bernard, Rothwell & Brown

[57] CLAIM

The ornamental design for a combined opaque glass body and ceiling canopy for a ceiling fan, as shown and described.

DESCRIPTION

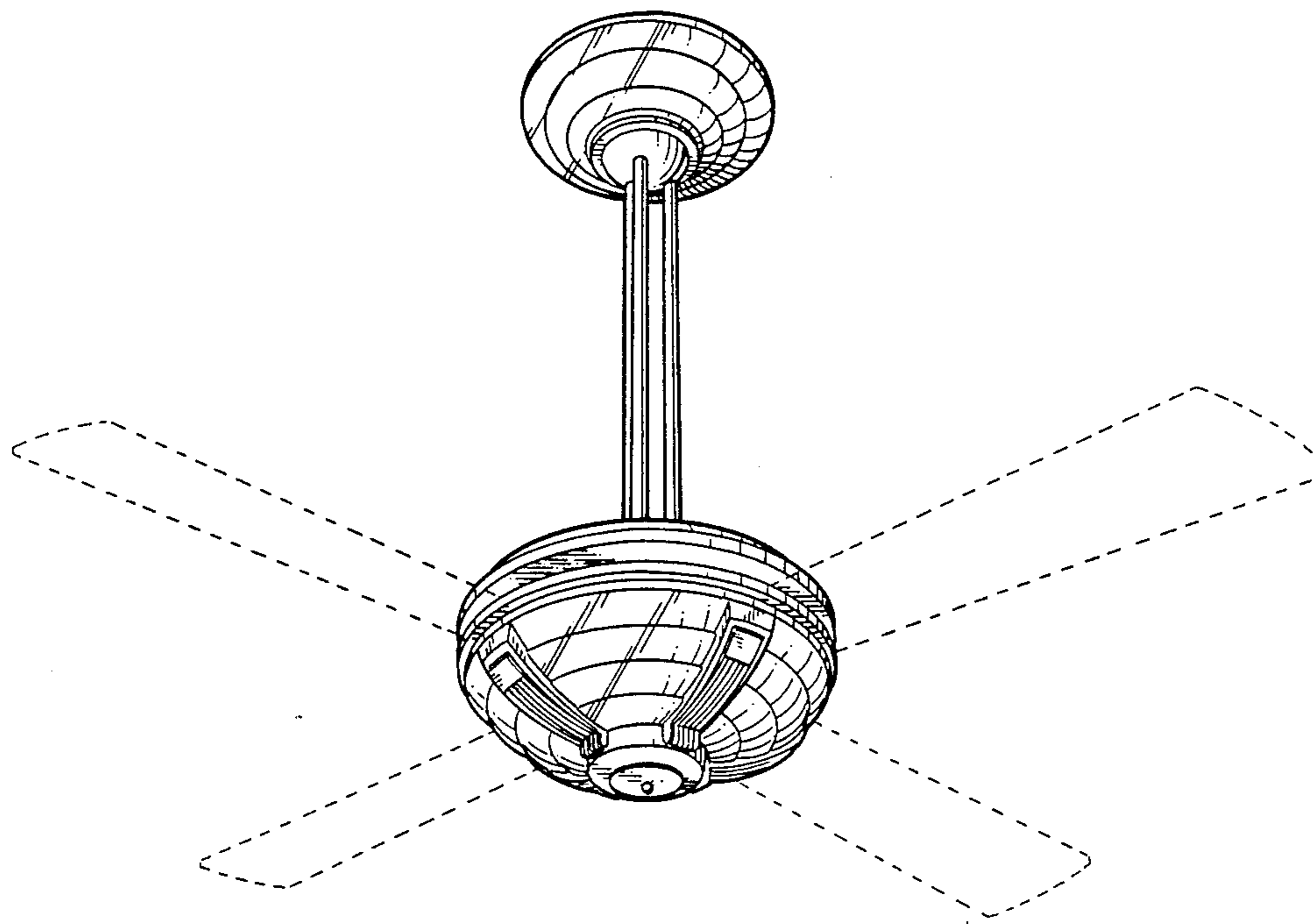
FIG. 1 is a bottom perspective view of a combined opaque glass body and ceiling canopy for a ceiling fan showing my new design;

FIG. 2 is a side elevational view thereof, the opposite side being a mirror image of that shown;

FIG. 3 is a bottom plan view thereof; and

FIG. 4 is a top plan view thereof.

The broken line showing of fan blades in FIGS. 1-4 is for illustrative purposes only and forms no part of the claimed design.



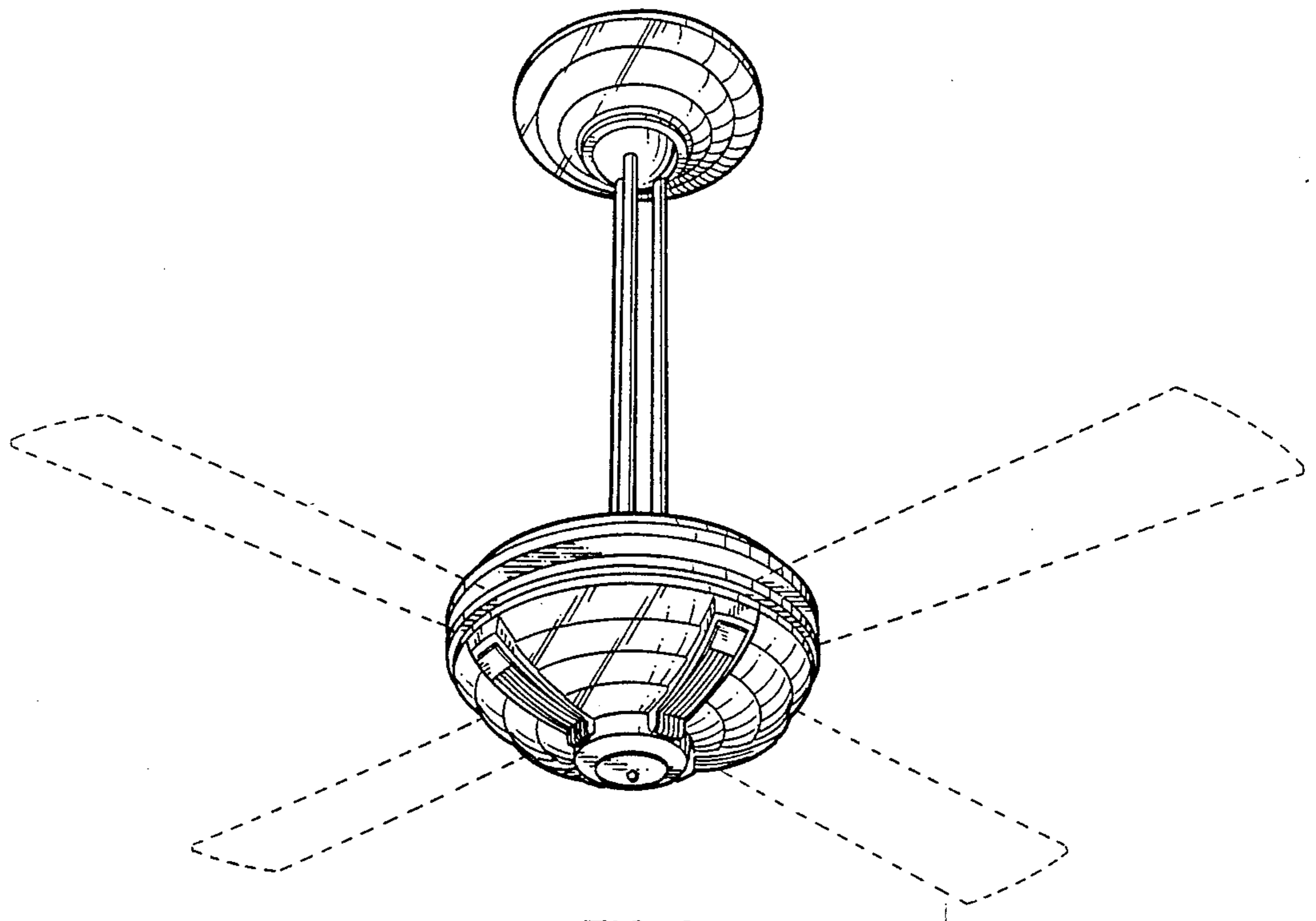


FIG. 1

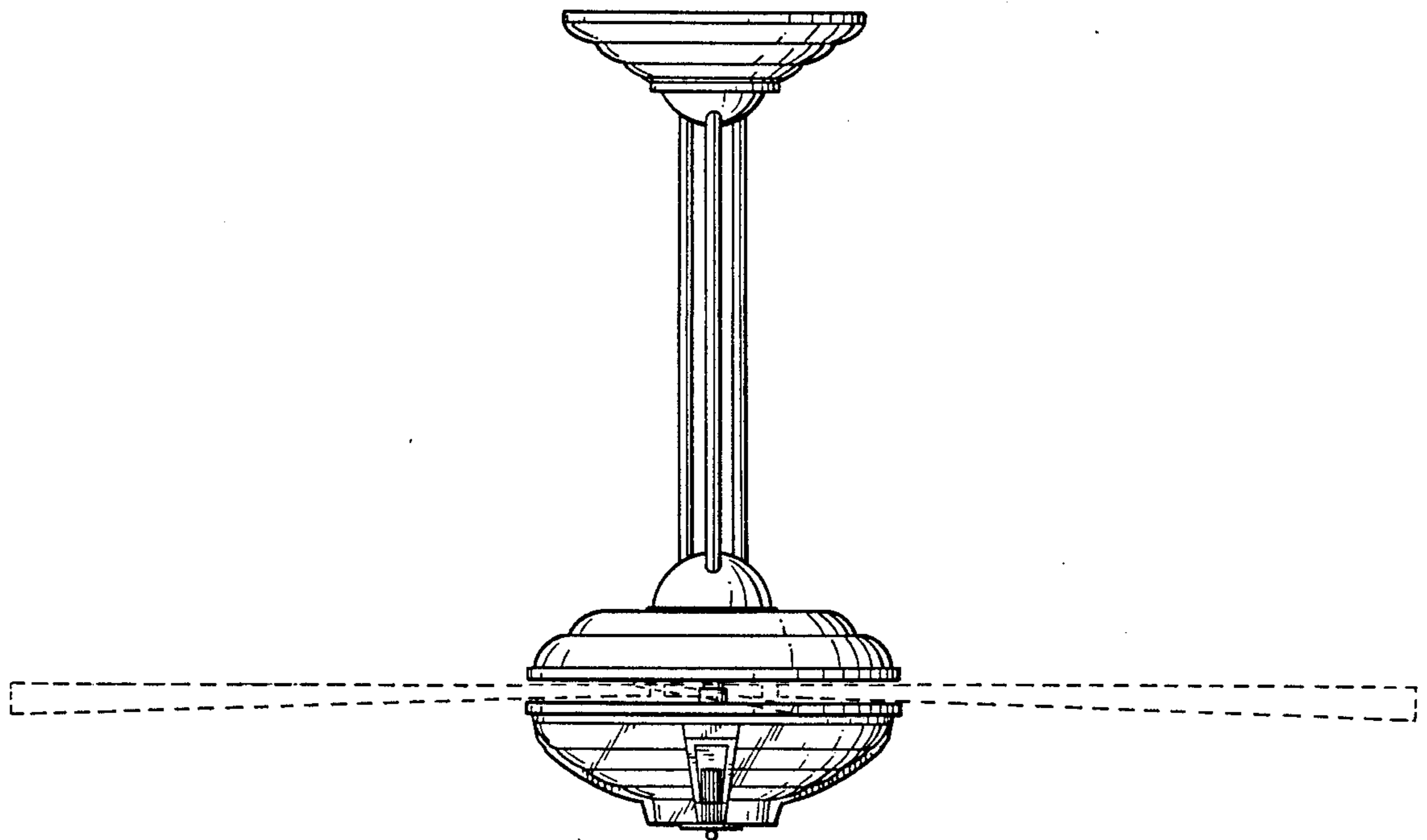


FIG. 2

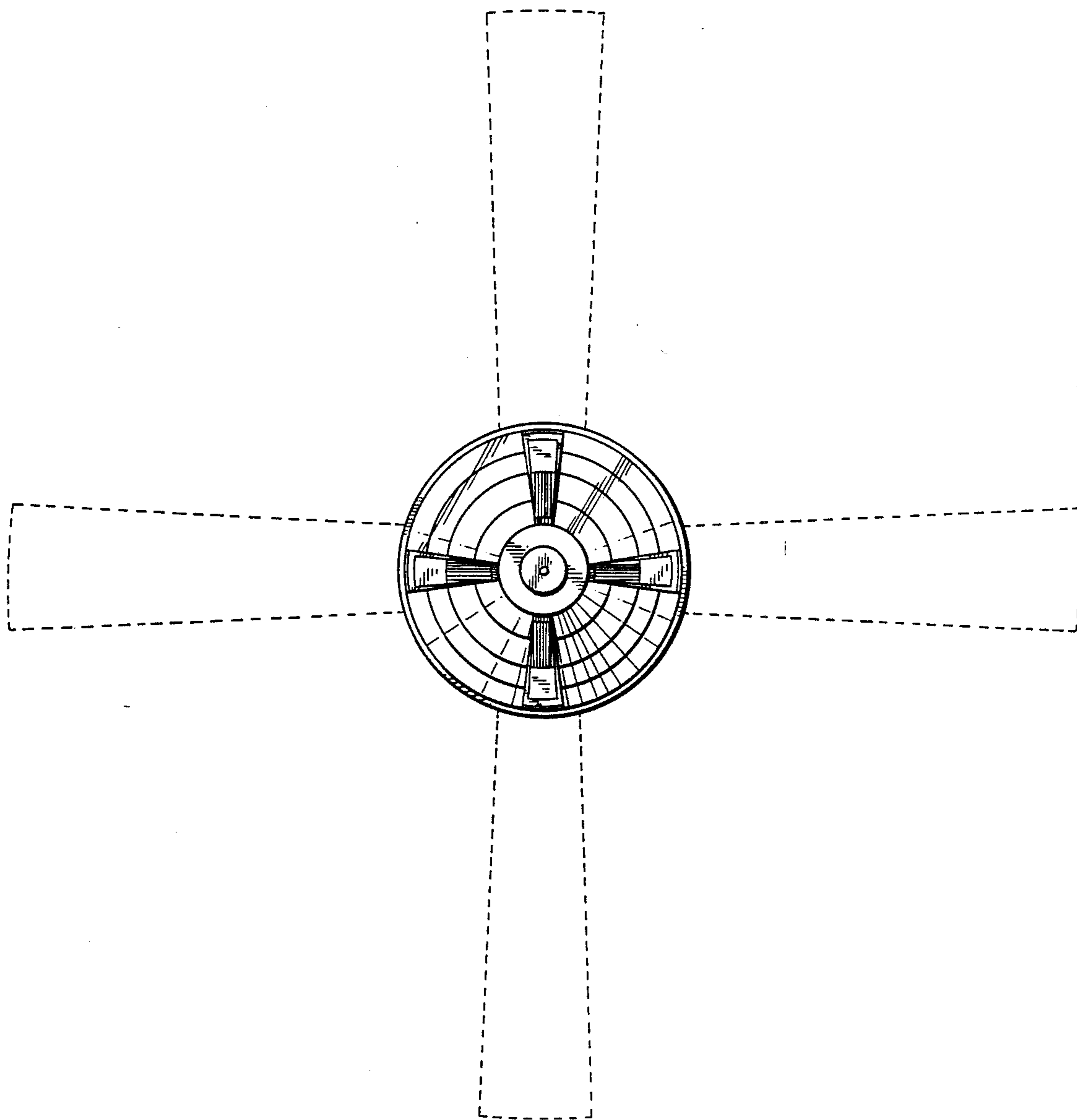


FIG. 3

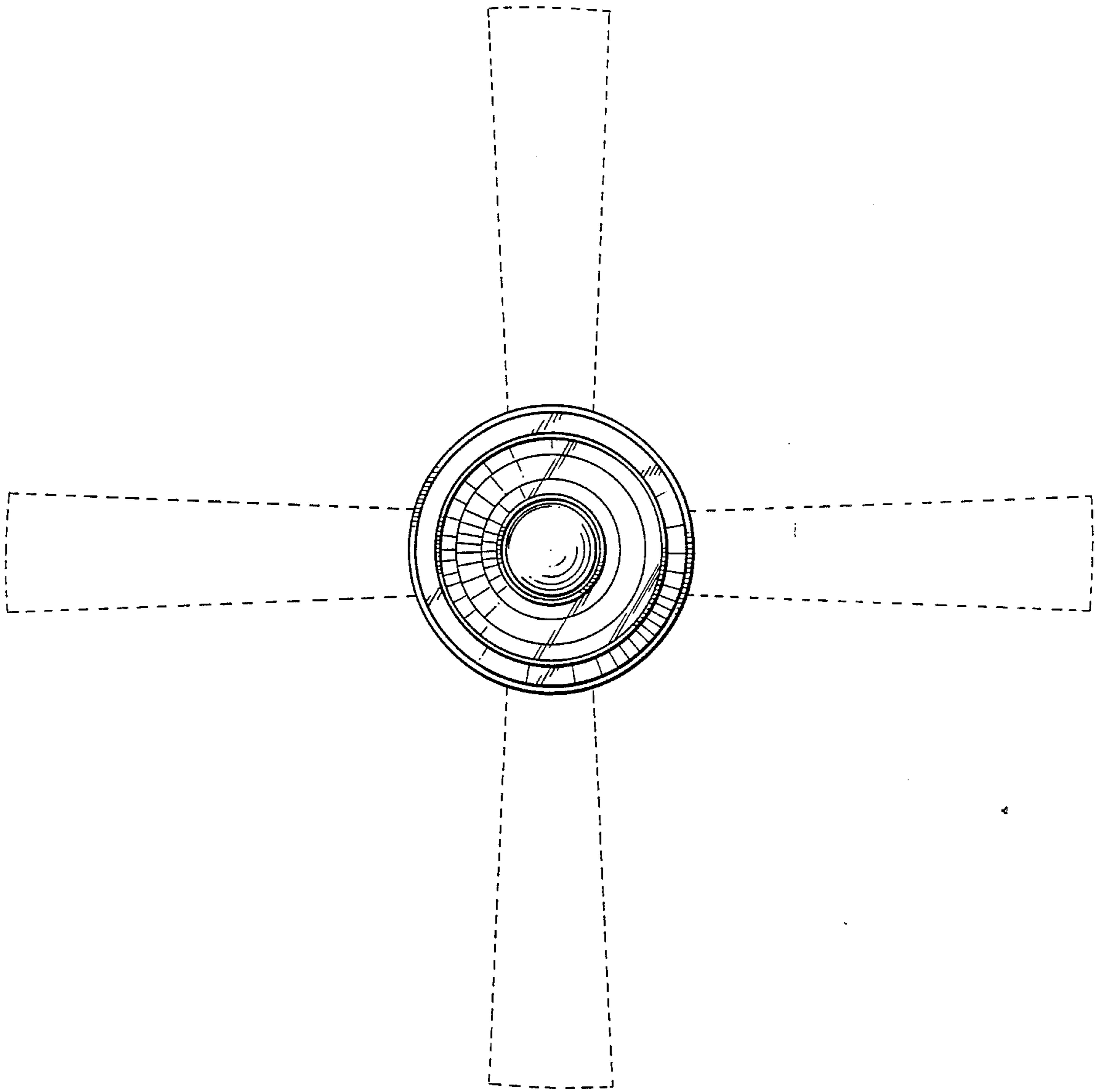


FIG. 4