

[54] **LAWN SPRINKLER HEAD**

[75] Inventors: **Dennis P. Wherry**, Winter Park; **Martin C. O'Brien**, Deltona; **Robert L. Horian**, Heathrow; **Bruce M. McPherson**, Maitland, all of Fla.

[73] Assignee: **Calibron, Inc.**, Lake Mary, Fla.

[**] Term: **14 Years**

[21] Appl. No.: **140,834**

[22] Filed: **Jan. 4, 1988**

[52] U.S. Cl. **D23/214**

[58] **Field of Search** **D23/213-221;**
239/200-206, 211, 230-233, 273, 275-276, 505,
518-524, 556-557, 222.11, 222.13, 222.15,
222.17, 222.19, 222.21, 223, 288, 288.3, 288.5,
390-392, 443-444, 456, 468, 558, DIG. 1

[56] **References Cited**

U.S. PATENT DOCUMENTS

- D. 259,438 6/1981 Meyer D23/35
- D. 266,449 10/1982 Foreman D23/214
- D. 285,476 9/1986 Christen D23/214

- 2,711,925 6/1955 King 299/18
- 3,007,646 11/1961 Gerrans D23/214 X
- 4,625,915 12/1986 Cockman 239/390
- 4,660,765 4/1987 Rosenberg 239/390 X

Primary Examiner—Susan J. Lucas
Assistant Examiner—M. H. Tung
Attorney, Agent, or Firm—Quarles & Brady

[57] **CLAIM**

The ornamental design for a lawn sprinkler head, as shown and described.

DESCRIPTION

FIG. 1 is a perspective view taken from the top, front and right side of a lawn sprinkler head showing our new design;

FIG. 2 is a front elevational view thereof;

FIG. 3 is a left side elevational view thereof;

FIG. 4 is a right side elevational view thereof;

FIG. 5 is a rear elevational view thereof;

FIG. 6 is a top plan view thereof; and

FIG. 7 is a cross-sectional view taken on line 7—7 of FIG. 3.

The fragmentary broken line representation of a sprinkler base in FIG. 1 is for the purpose of illustration only.

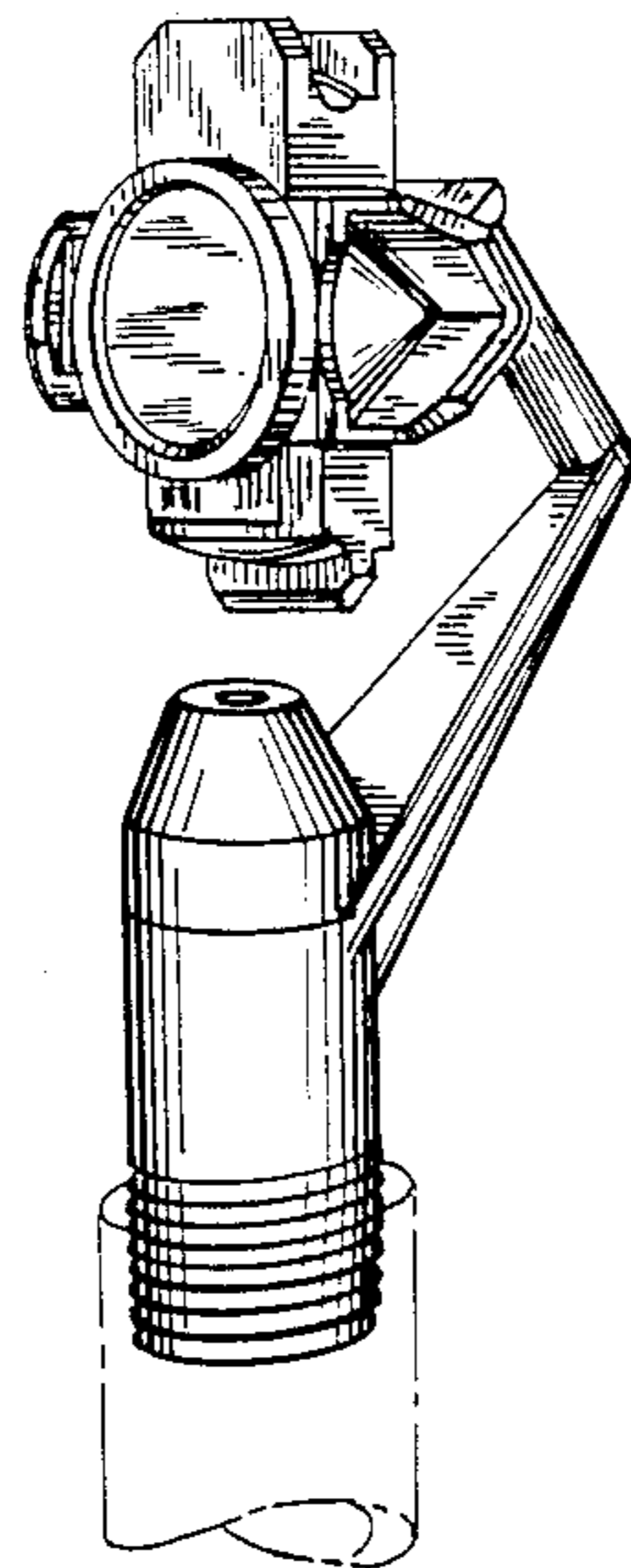


FIG. 1

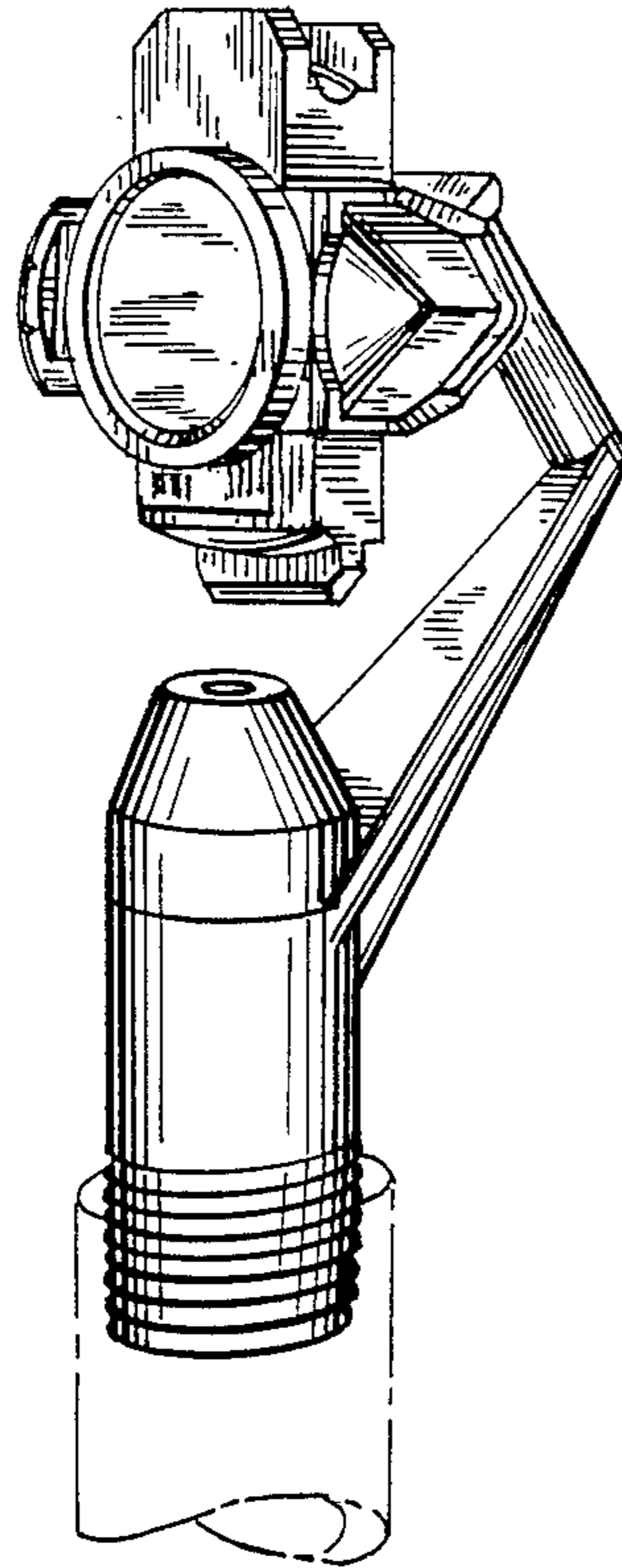


FIG. 2

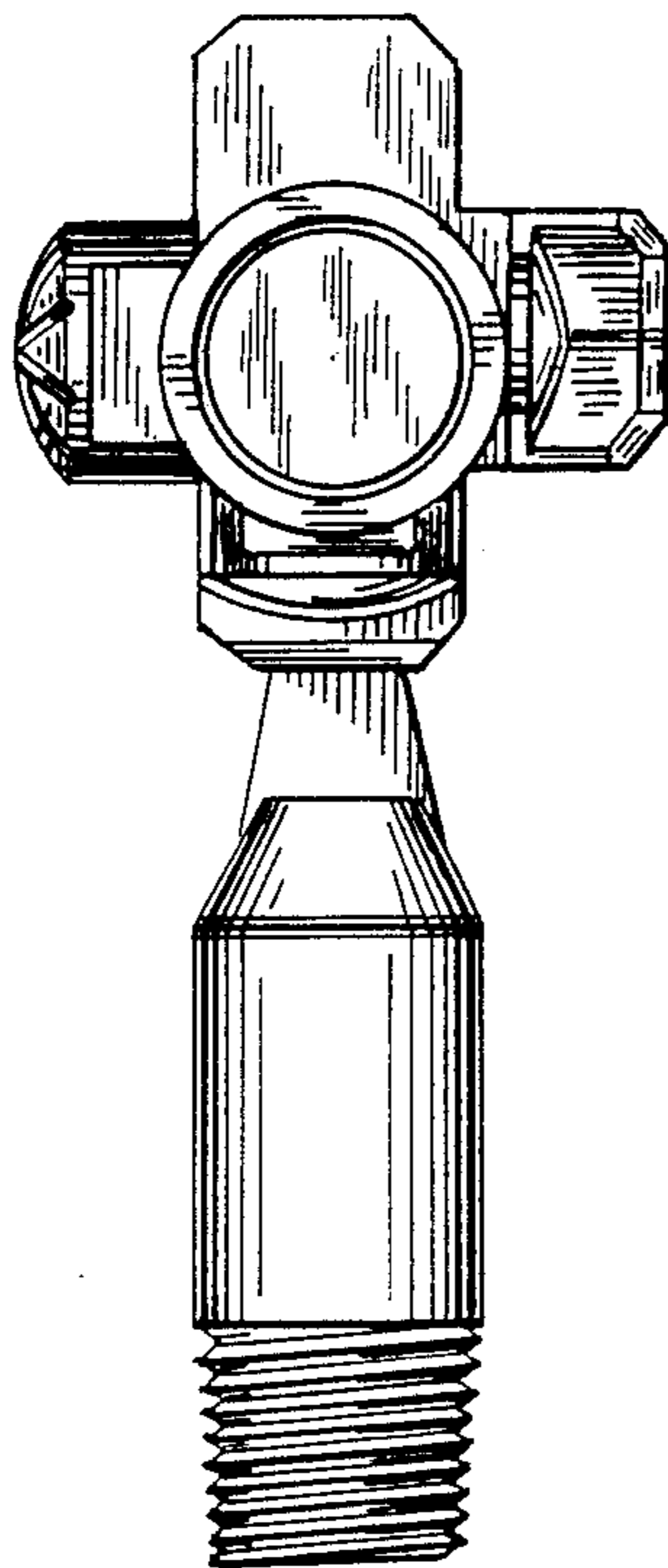


FIG. 3

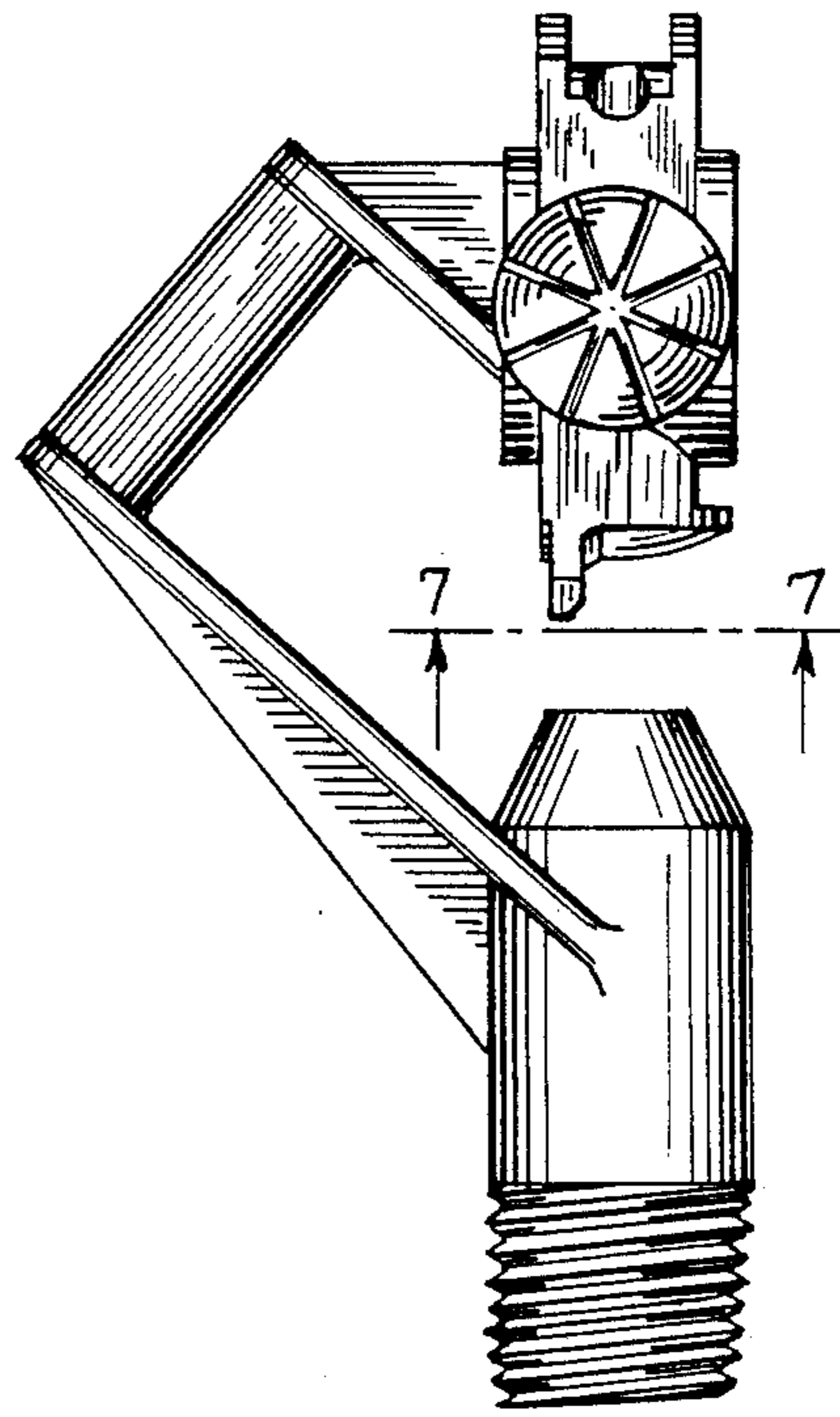


FIG. 4

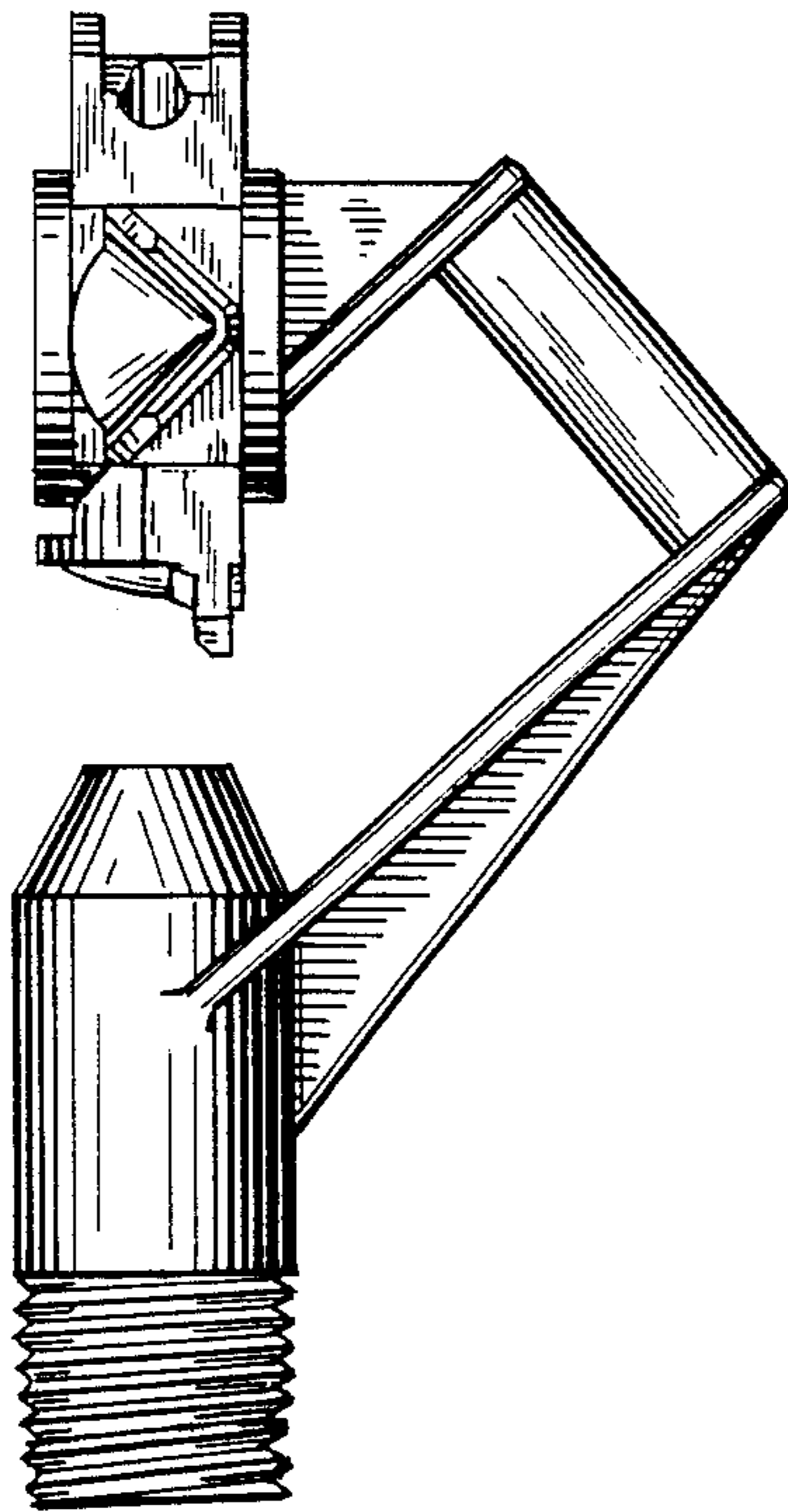


FIG. 5

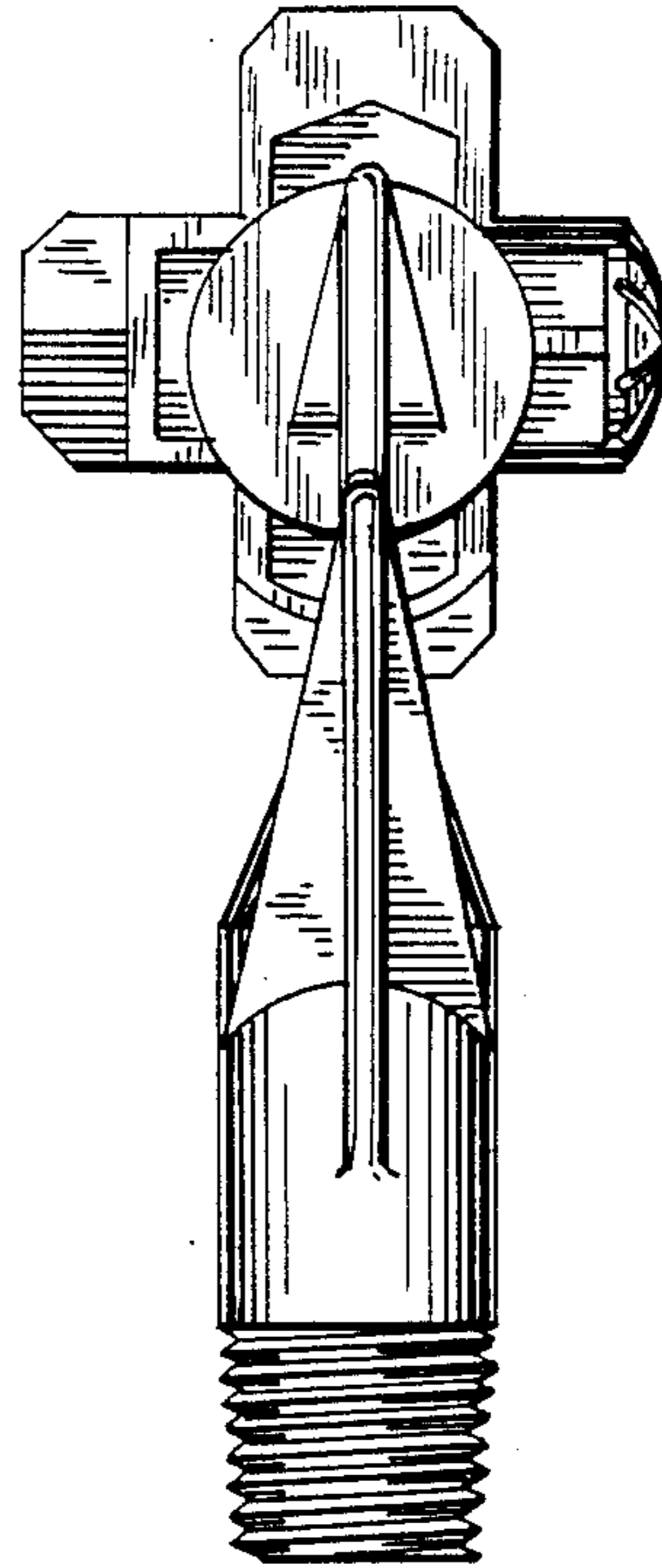


FIG. 6

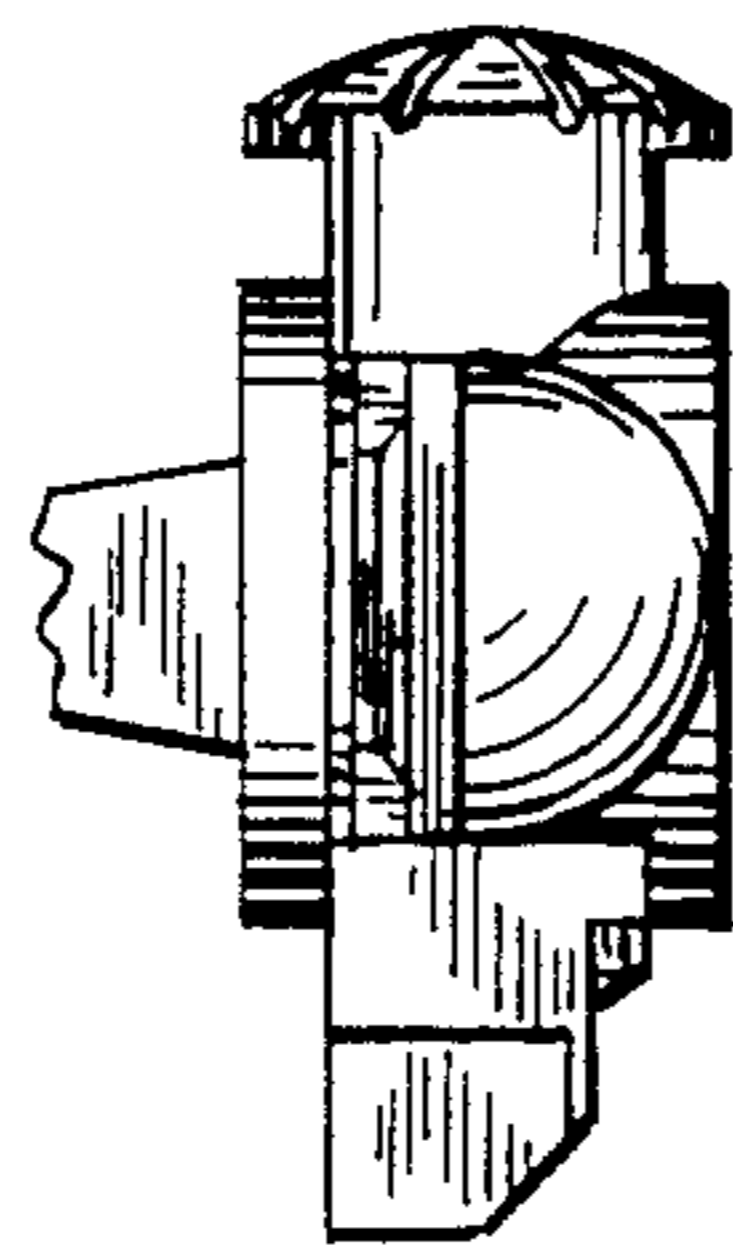
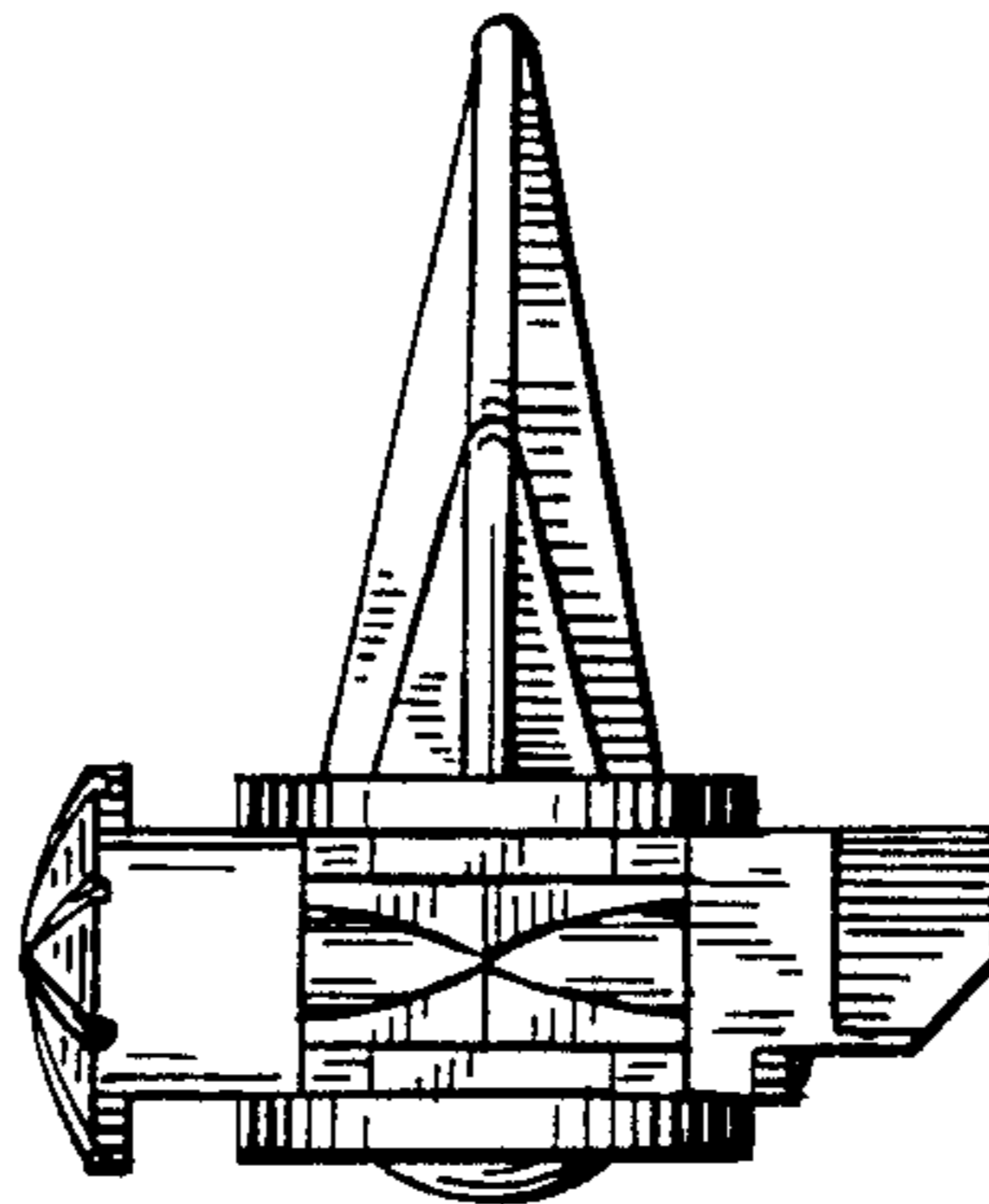


FIG. 7