

[54] WEIGHTLIFTER TOY

3,451,271 6/1969 Knoblauch D21/196 X
4,605,222 8/1986 Shannon D21/196 X

[76] Inventors: Virginia B. Wiseman; Richard A. Wiseman, both of 5341 Waldo Pl., Los Angeles, Calif. 90041

Primary Examiner—Bernard Ansher
Assistant Examiner—Prabhakar Deshmukh
Attorney, Agent, or Firm—Wagner & Middlebrook

[**] Term: 14 Years

[21] Appl. No.: 78,694

[57] CLAIM

The ornamental design for weightlifter toy, as shown and described.

[22] Filed: Jul. 28, 1987

[52] U.S. Cl. D21/166

[58] Field of Search D21/149, 150, 154, 166-184; 446/325, 326, 396, 387; 272/123; 921/196, 197

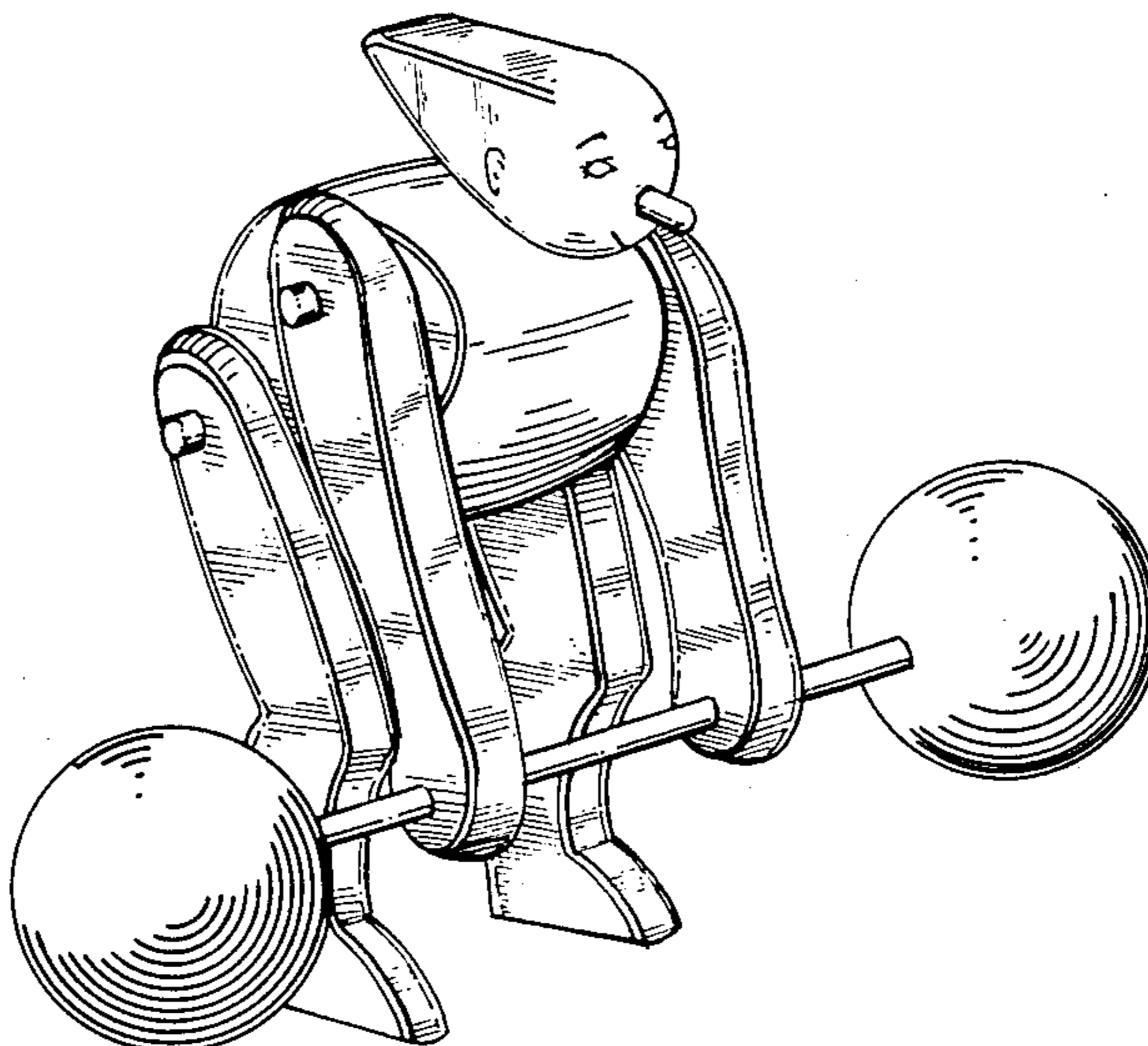
DESCRIPTION

[56] References Cited

U.S. PATENT DOCUMENTS

- D. 89,004 1/1933 Williams D21/171
- D. 158,357 5/1950 Cunningham D21/150
- 2,314,223 3/1943 Lane D21/197 X
- 2,475,656 7/1949 Bidak D21/196 X

FIG. 1 is a perspective view of a weightlifter toy showing my new design;
FIG. 2 is a left side elevational view thereof; the right side elevation being a mirror image thereof;
FIG. 3 is a front elevational view thereof;
FIG. 4 is a top plan view thereof;
FIG. 5 is a rear elevational view thereof; and
FIG. 6 is a bottom plan view thereof.



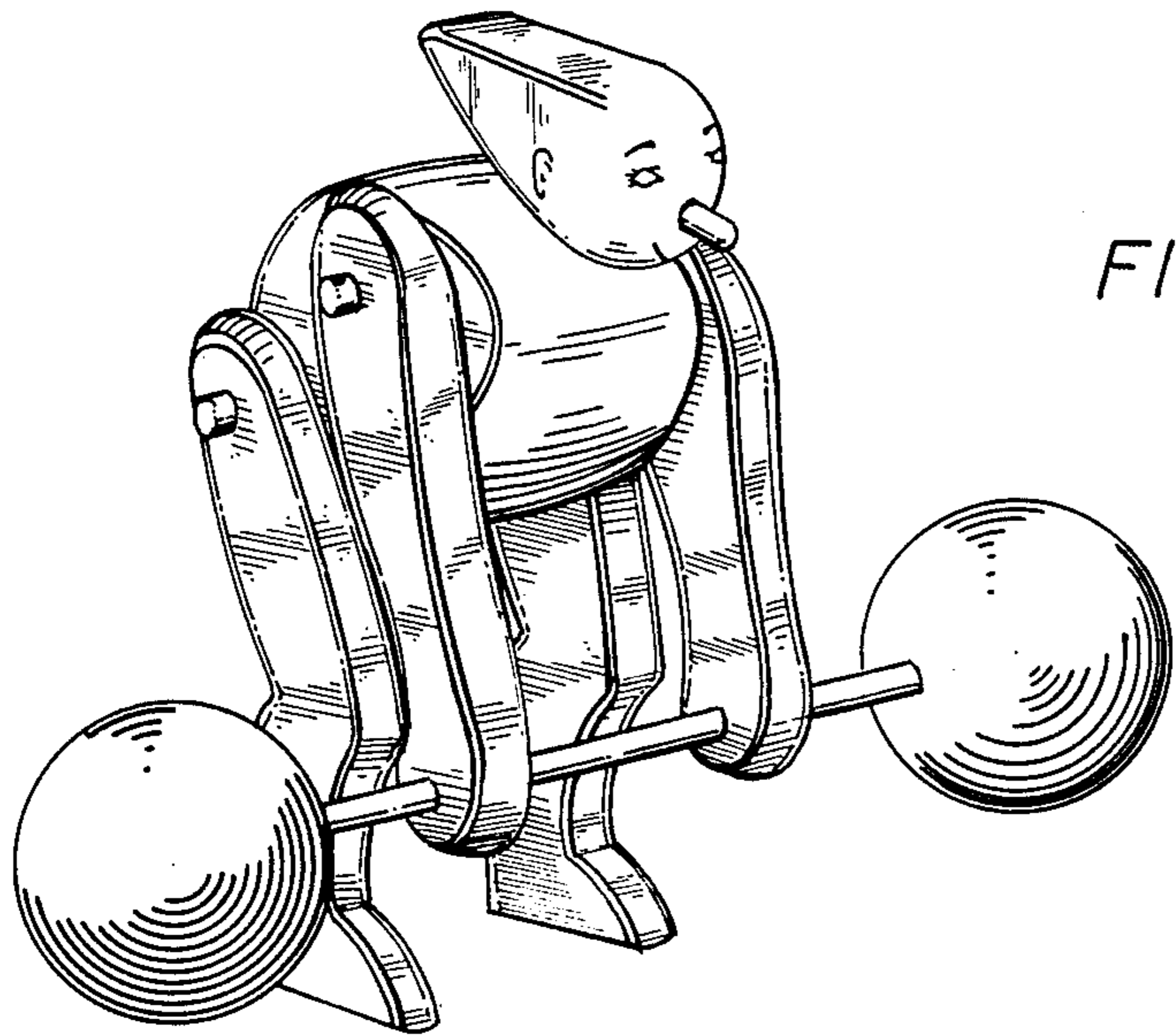


FIG. 1

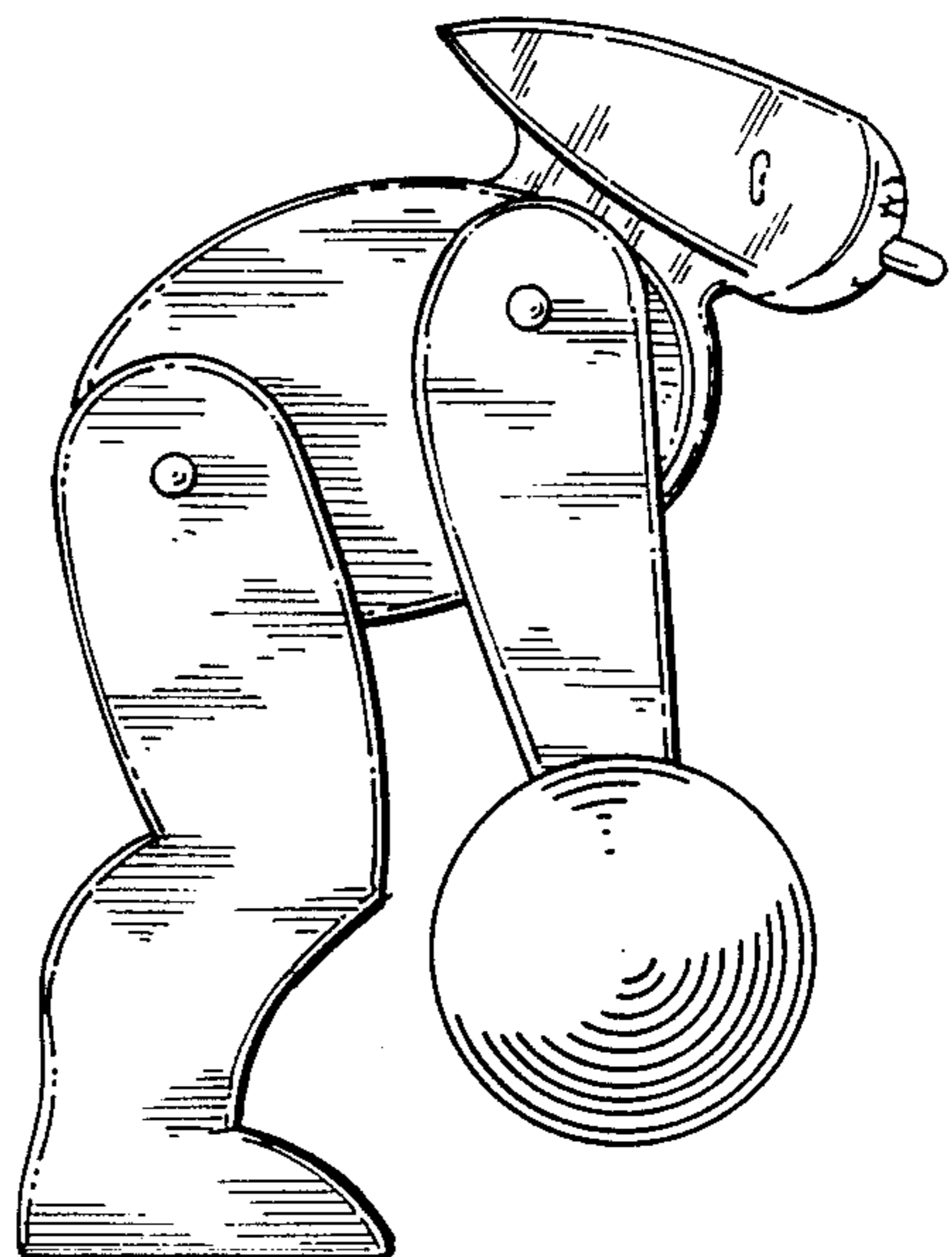


FIG. 2

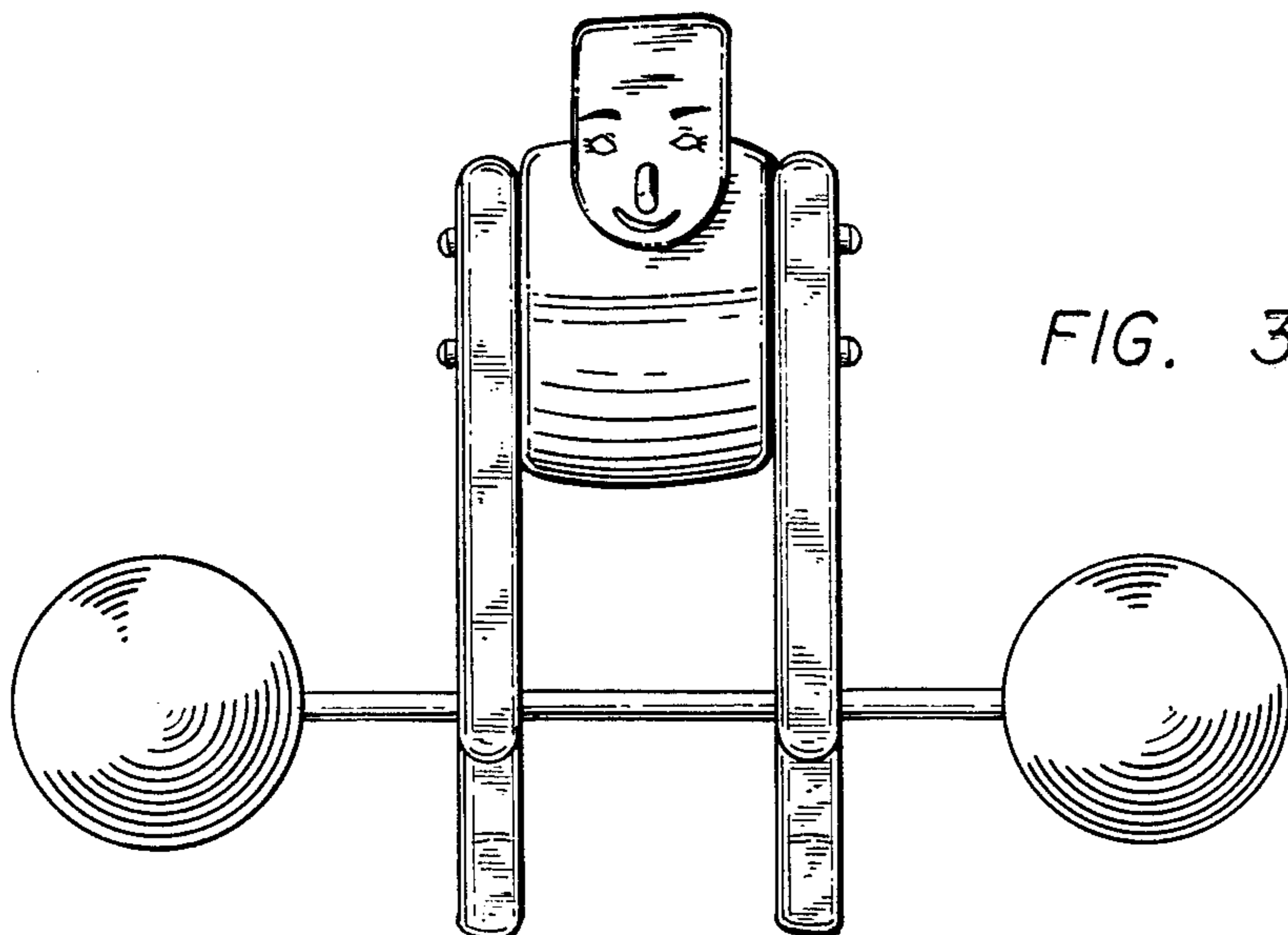


FIG. 3

