

[54] **AUDIBLE TOY BOAT**

[75] **Inventor: Tomoko Taninaka, Tokyo, Japan**

[73] **Assignee: Tomy Kogyo Co., Inc., Tokyo, Japan**

[**] **Term: 14 Years**

[21] **Appl. No.: 176,798**

[22] **Filed: Apr. 1, 1988**

[30] **Foreign Application Priority Data**

Oct. 8, 1987 [JP] Japan 62-41218

[52] **U.S. Cl. D21/130**

[58] **Field of Search D12/300, 315, 316;
D21/130; 446/153, 155, 160, 163, 164, 165**

[56] **References Cited**

U.S. PATENT DOCUMENTS

- D. 222,374 10/1971 Ichiro D21/130
- D. 247,384 2/1978 Nakao D21/130
- D. 254,381 3/1980 Holden D21/130

- D. 281,264 11/1985 Spirk, Jr. et al. D21/130
- D. 294,054 2/1988 Emms D21/130
- D. 302,193 7/1989 Thomson et al. D21/130
- 4,223,894 9/1980 Fabricant 446/160

OTHER PUBLICATIONS

Sears Catalog, 1985, p. 548, Fisher Price Houseboat.

Primary Examiner—Melvin B. Feifer

Assistant Examiner—Philip Hyder

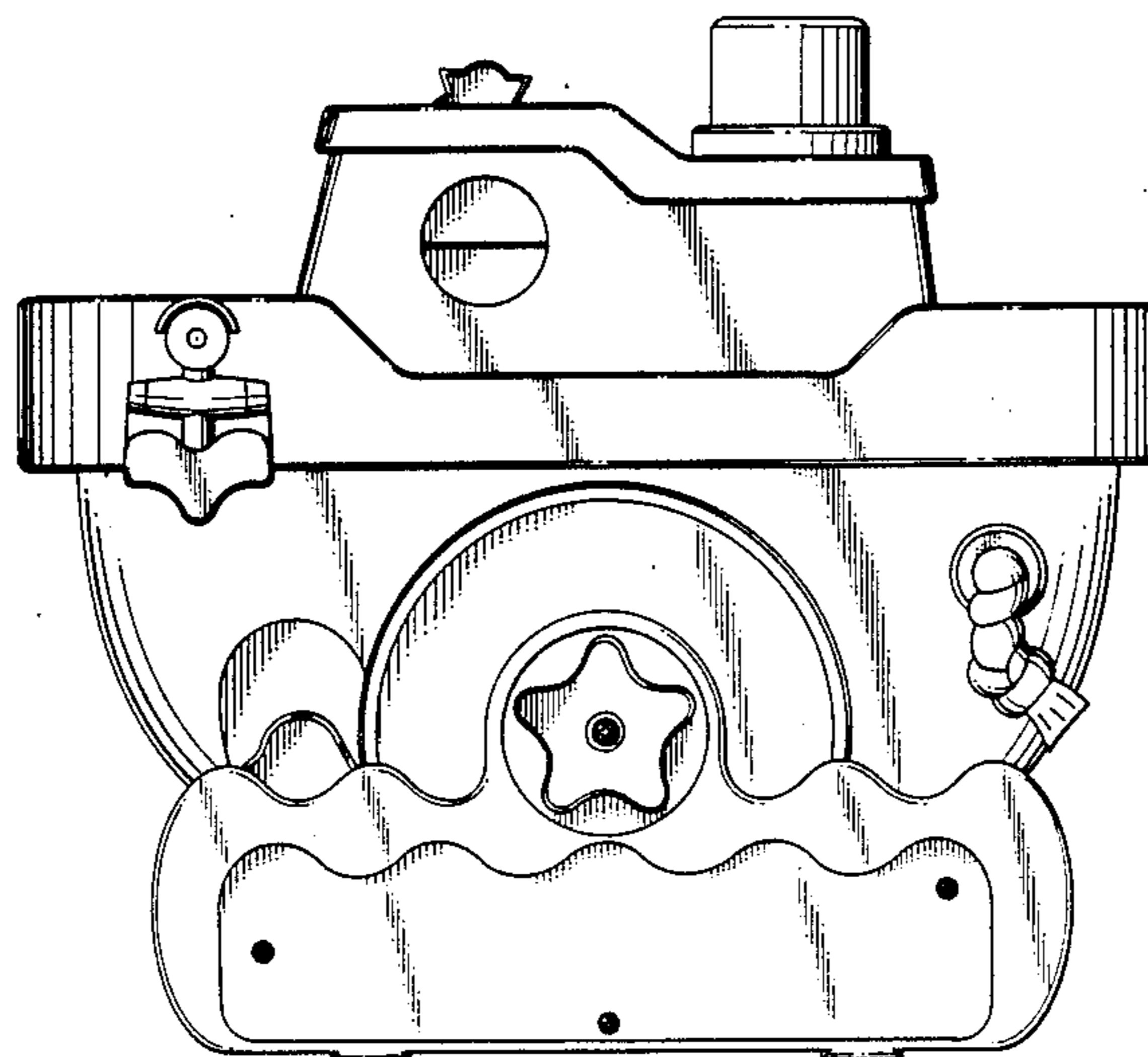
Attorney, Agent, or Firm—Staas & Halsey

[57] **CLAIM**

The ornamental design for a audible toy boat, as shown.

DESCRIPTION

FIG. 1 is a front elevational view of a audible toy boat showing my new design;
FIG. 2 is a rear elevational view thereof;
FIG. 3 is a right-side elevational view thereof;
FIG. 4 is a left-side elevational view thereof;
FIG. 5 is a top plan view thereof; and
FIG. 6 is a bottom plan view;



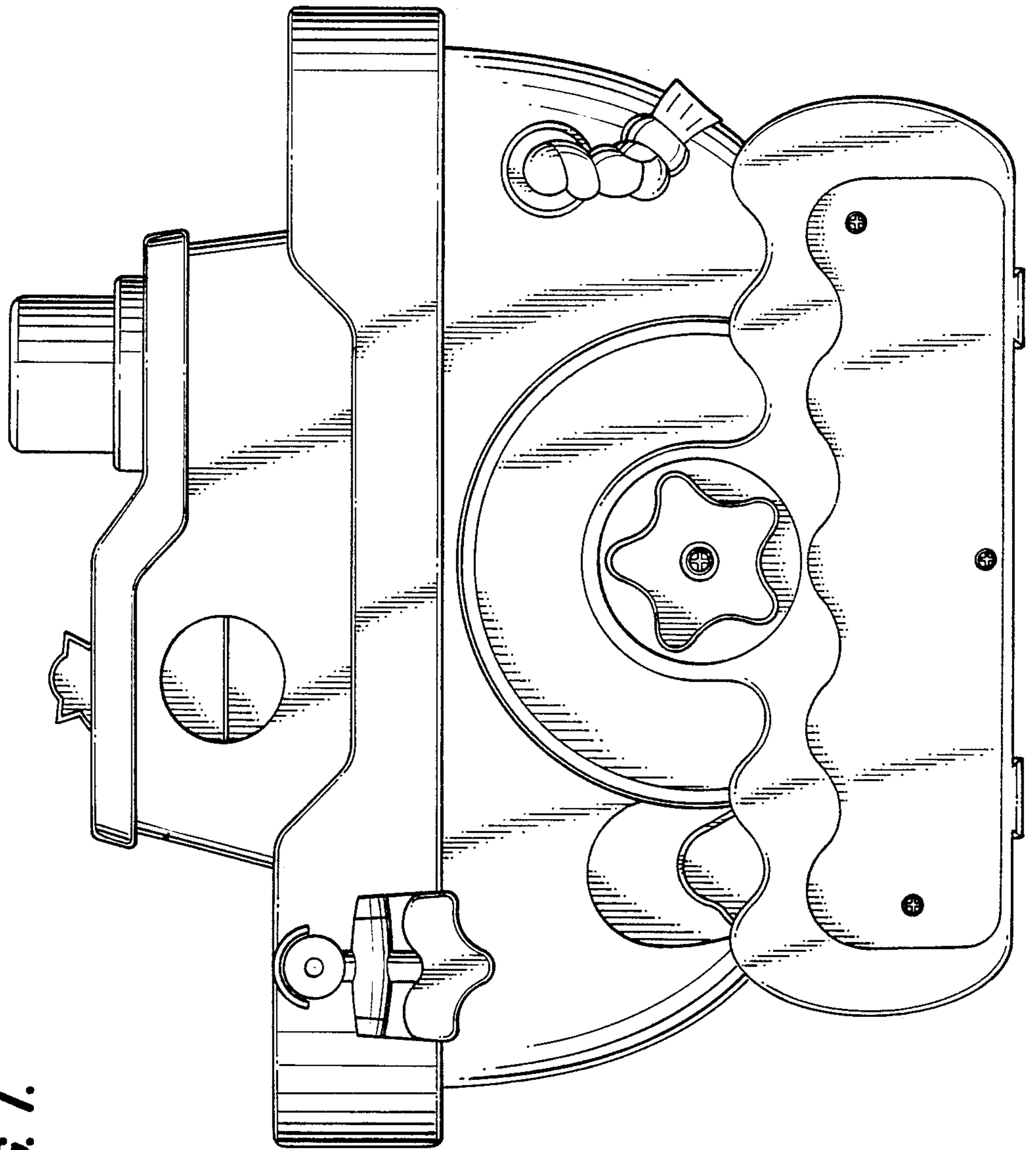


FIG. 1.

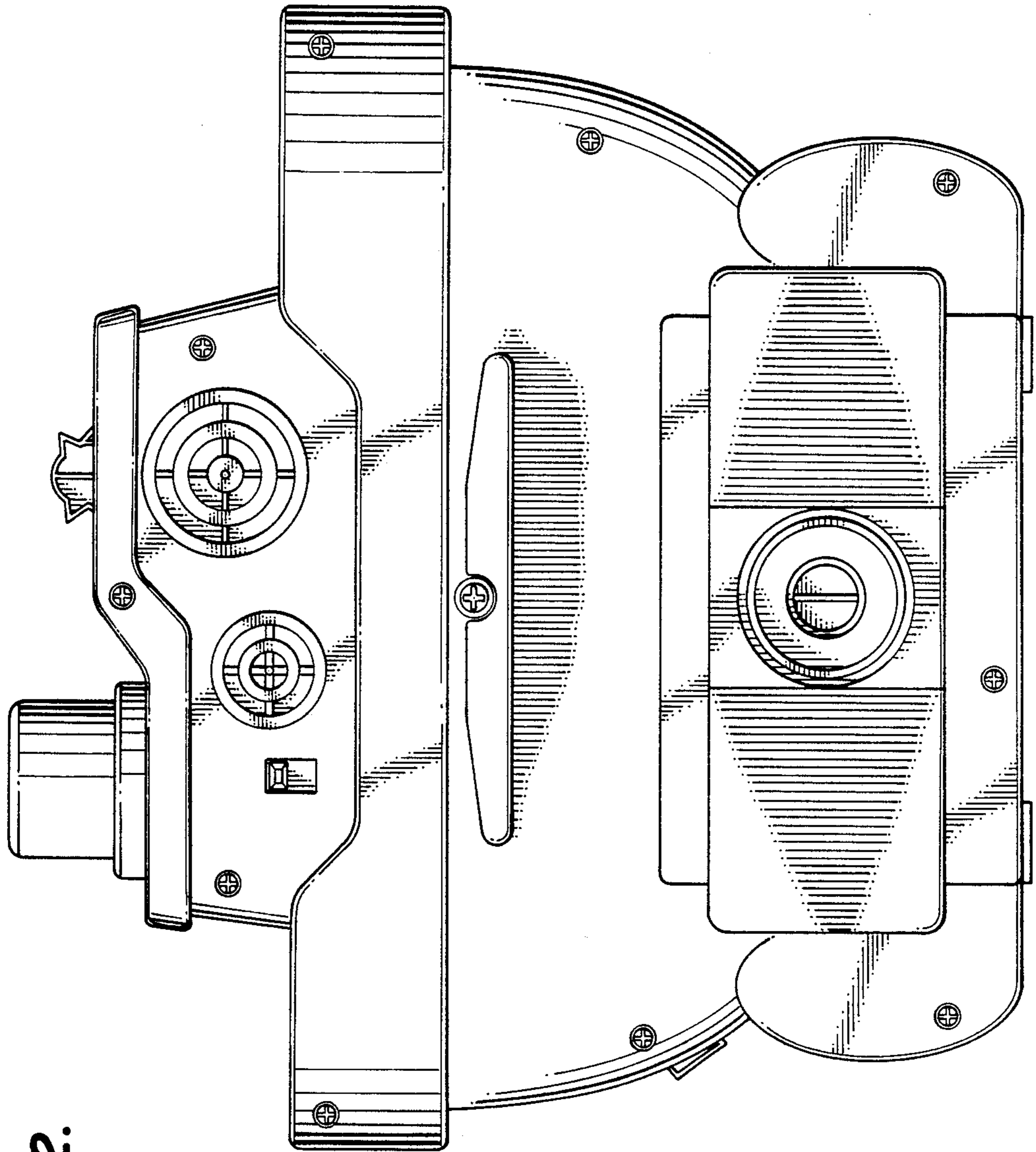


FIG. 2.

FIG. 3.

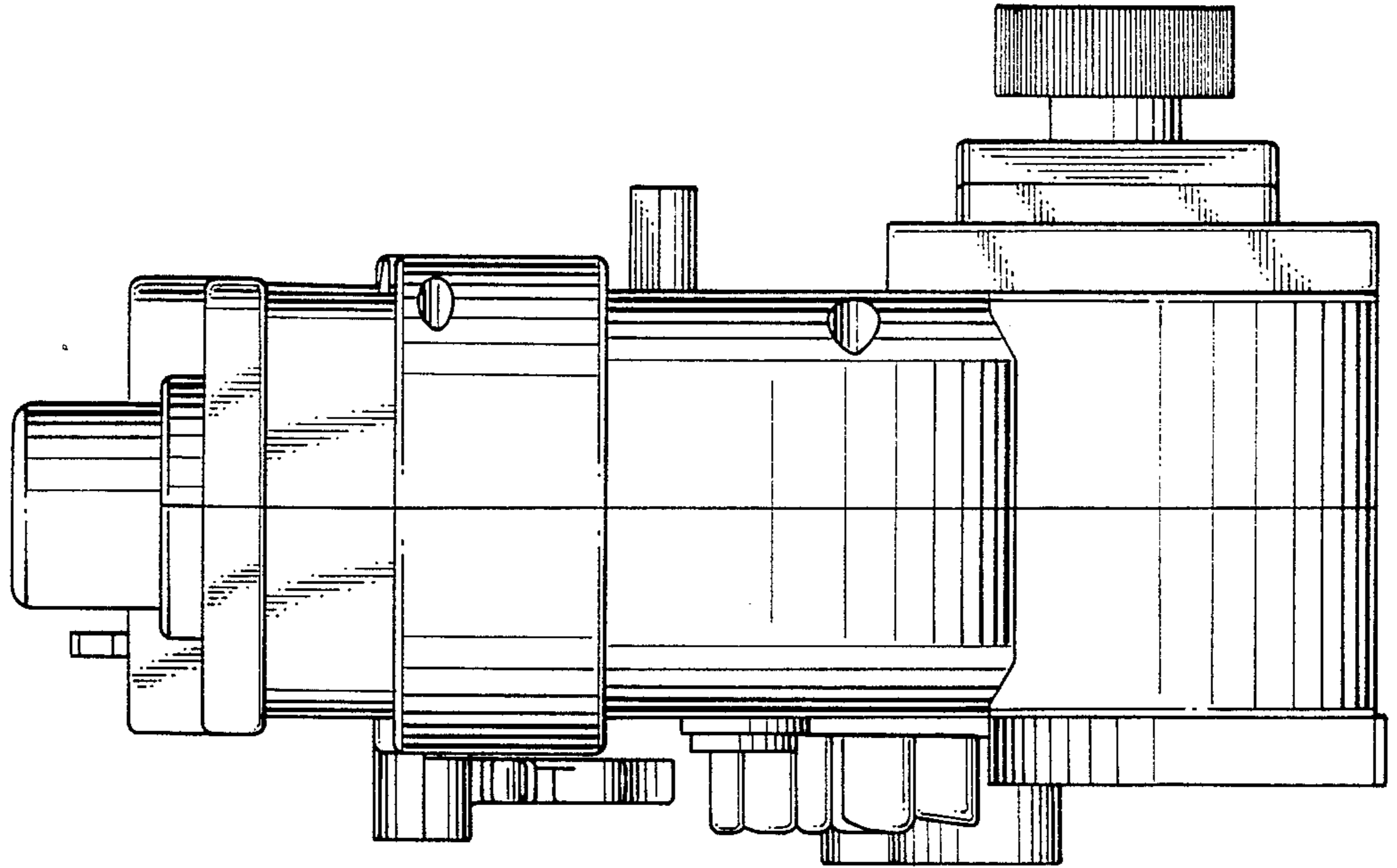


FIG. 4.

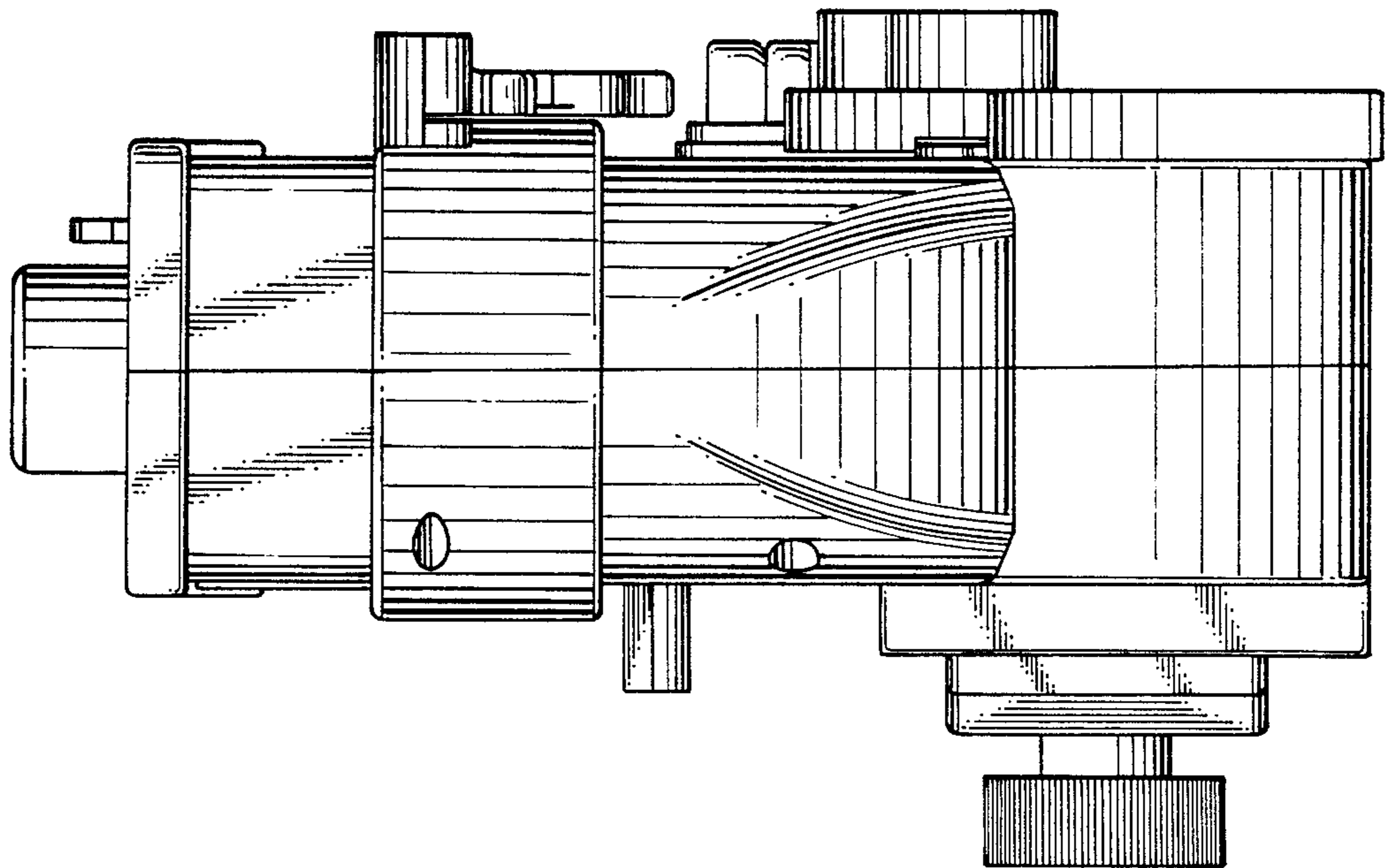


FIG. 5.

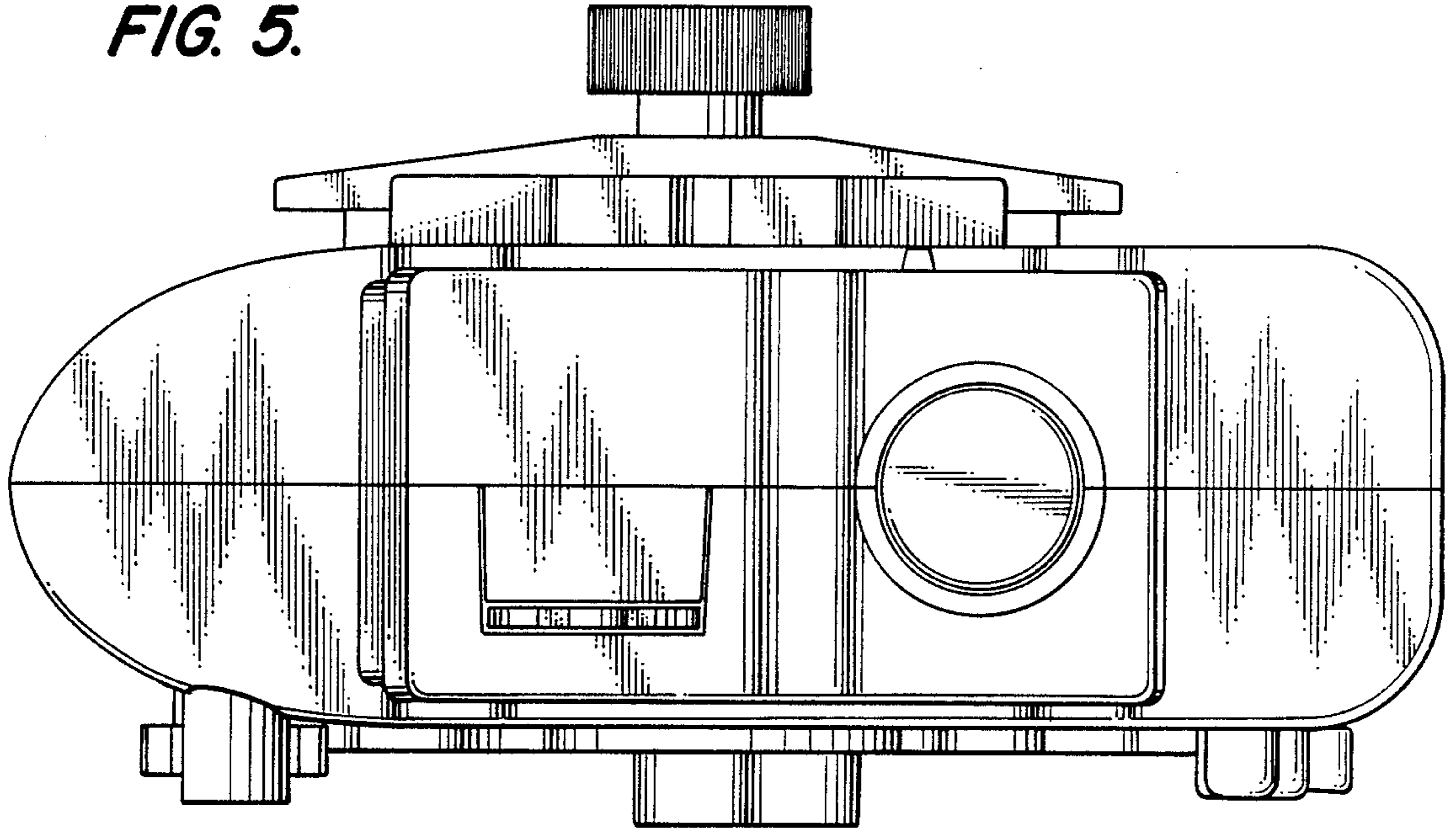


FIG. 6.

