

[54] **DOUBLE-DRAWING TOY**

[76] **Inventor: Adolph E. Goldfarb, 19434 Londelius St., Northridge, Calif. 91324**

[\*\*] **Term: 14 Years**

[21] **Appl. No.: 142,233**

[22] **Filed: Jan. 11, 1988**

[52] **U.S. Cl. .... D21/59; D19/36**

[58] **Field of Search .... D21/59, 109; 434/85, 434/162, 166; 446/146, 147, 219, 227; D19/60, 59, 36**

[56] **References Cited**

**U.S. PATENT DOCUMENTS**

D. 279,486 7/1985 Mak ..... D21/59  
D. 286,650 11/1986 Fischer ..... D19/55  
D. 298,558 11/1988 Wickstead ..... D21/59  
3,665,610 5/1972 Schlau et al. .... 434/85

**FOREIGN PATENT DOCUMENTS**

552774 4/1956 Italy ..... 434/85

*Primary Examiner*—Charles A. Rademaker  
*Attorney, Agent, or Firm*—Ashen Martin Seldon  
Lippman & Scillieri

[57] **CLAIM**

The ornamental design for a double-drawing toy, as shown and described.

**DESCRIPTION**

FIG. 1 is a top perspective view of a double drawing toy showing my new design;  
FIG. 2 is a right side elevational view thereof;  
FIG. 3 is a top plan view thereof;  
FIG. 4 is a bottom plan view thereof;  
FIG. 5 is a left side elevational view thereof;  
FIG. 6 is a front elevational view thereof; and  
FIG. 7 is a rear elevational view thereof.  
The broken line showing of drawing instruments in FIGS. 1, 2, 3, 5, 6, and 7 is for illustrative purposes only and forms no part of the claimed design.

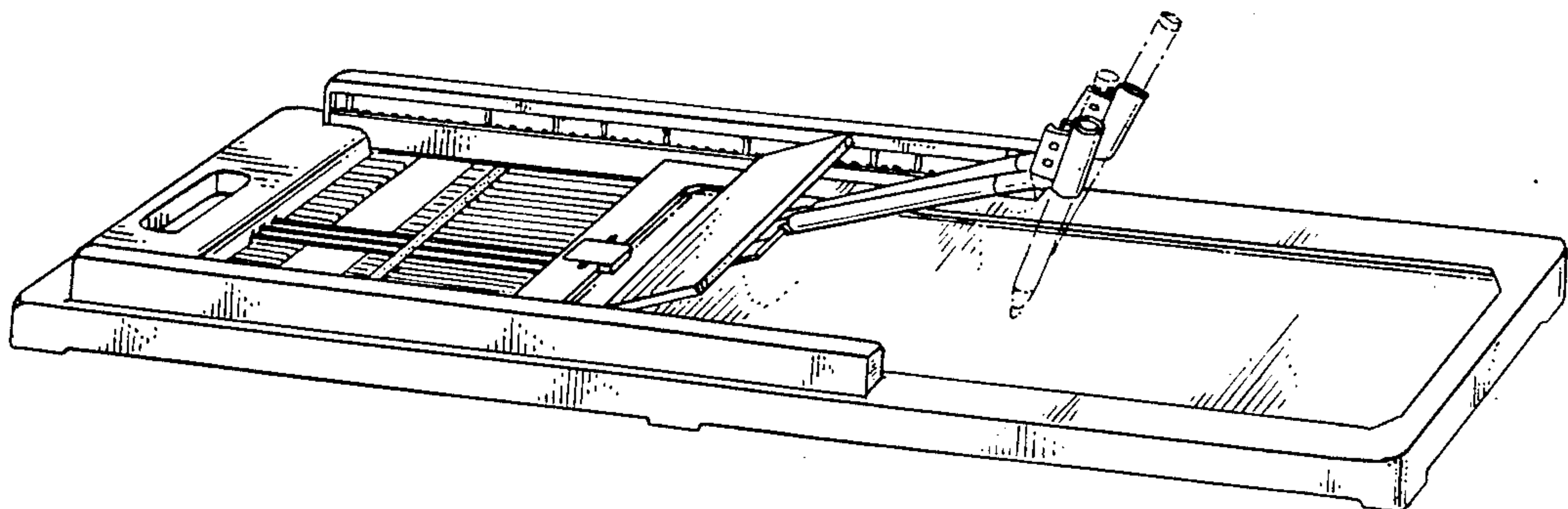


FIG. 1.

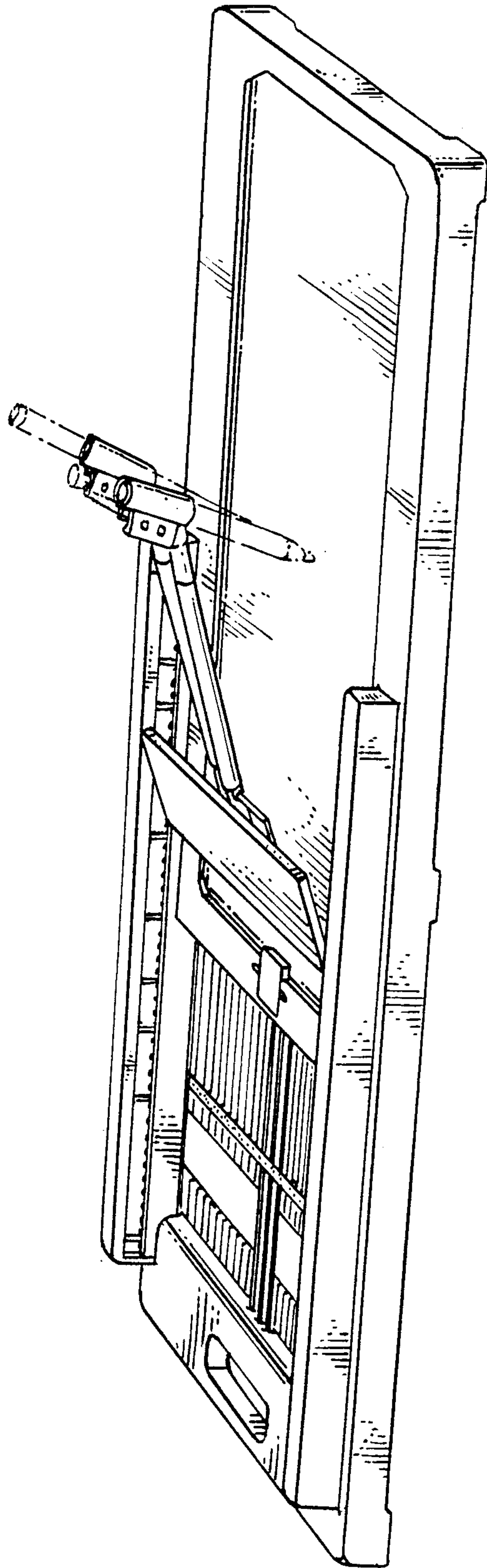
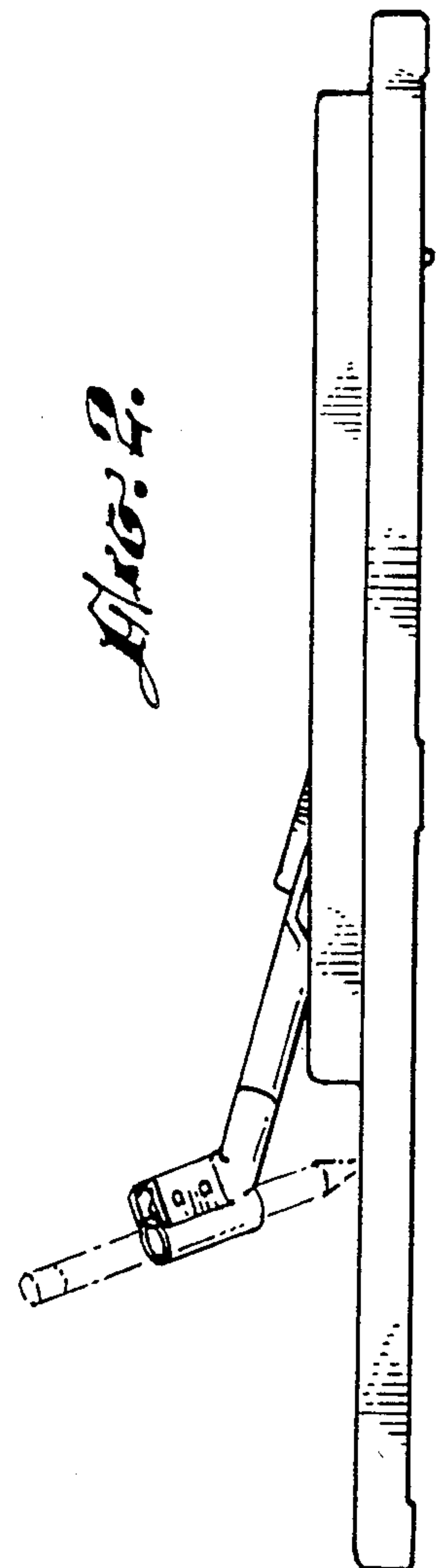
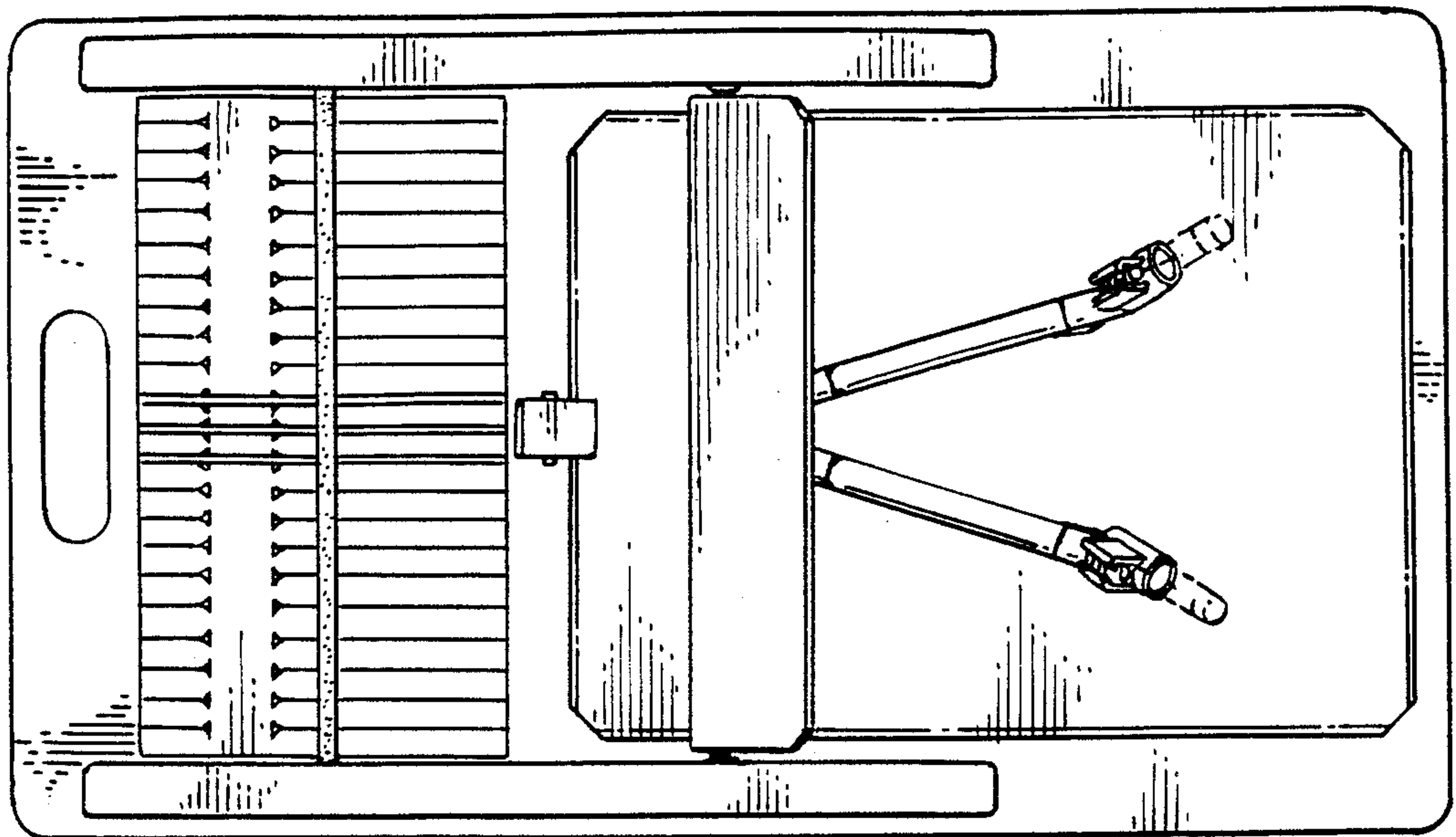


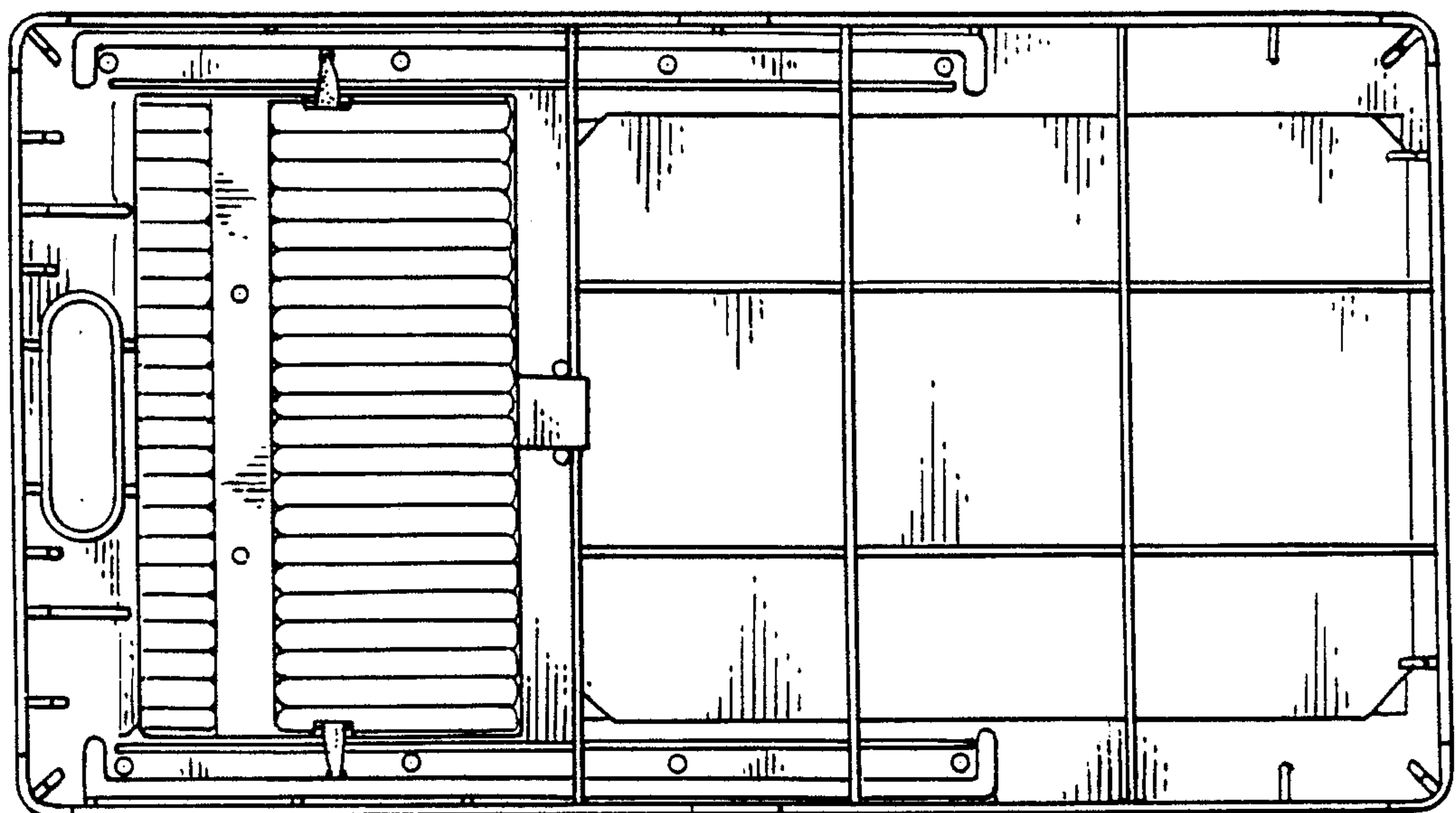
FIG. 2.



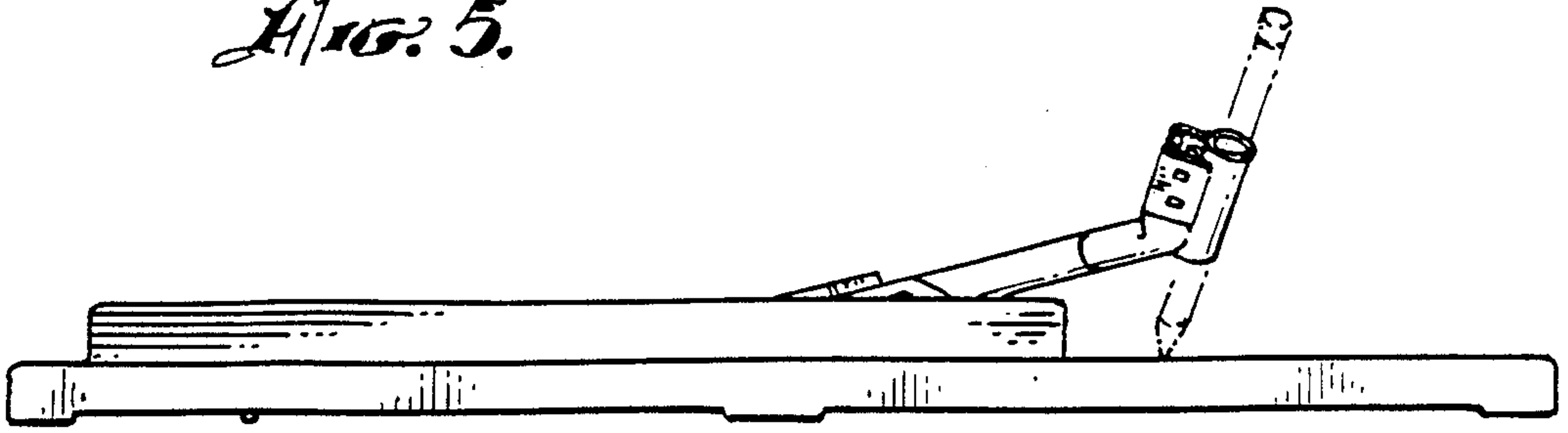
*FIG. 3.*



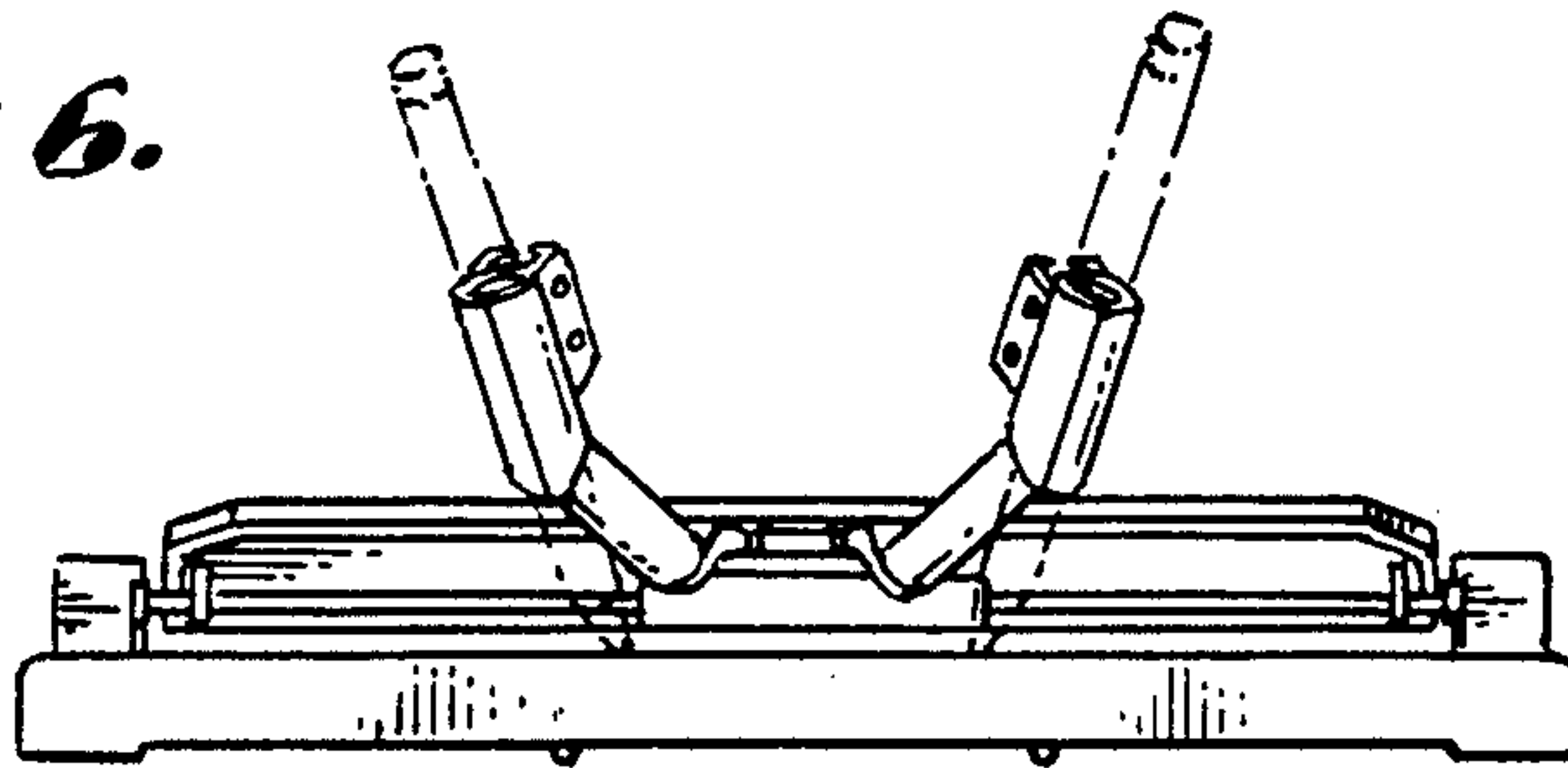
*FIG. 4.*



*Fig. 5.*



*Fig. 6.*



*Fig. 7.*

