

[54] ILLUMINATED DISPLAY SIGN

[75] Inventors: Ervin E. Younger; Gary M. Kickler; E. Max Younger, all of Tribune, Kans.

[73] Assignee: Nite-Glo Corp., Tribune, Kans.

[**] Term: 14 Years

[21] Appl. No.: 174,545

[22] Filed: Mar. 28, 1988

[52] U.S. Cl. D20/42; D26/72

[58] Field of Search D20/10, 18, 19, 27, D20/29, 42; 40/591, 592, 593, 584, 611, 541, 542, 553, 558, 563, 564, 570, 572, 574, 578, 581; 362/812, 311, 227; D26/72, 28, 31, 35, 81, 85

3,404,474 10/1968 Johnson 40/130

3,961,180 6/1976 Schultz 250/206

3,968,355 7/1976 Smallegan 240/2 R

4,095,100 6/1978 Selick 250/206

4,177,506 12/1979 Easterling 362/414

4,254,405 3/1981 Wenzlaff 340/321

4,254,457 3/1981 Lordley 362/367

4,456,126 6/1984 Hicks, Jr. 206/573

4,514,789 4/1985 Jester 362/95

4,611,265 9/1986 Davis 40/553

4,642,477 2/1987 Grzanowski, Jr. et al. 307/113

[56] **References Cited**

U.S. PATENT DOCUMENTS

D. 189,054 10/1960 Jaffe, Jr. D26/85

1,390,561 9/1921 Kelly 40/553

1,808,456 6/1931 Dwyer et al. 40/564

1,831,181 11/1931 Koster 40/553

2,648,152 8/1953 Simpson 40/130

2,825,003 2/1958 Hanson 315/204

3,058,032 10/1962 Woodward 315/272

3,212,080 10/1965 Gurian et al. 340/286

Primary Examiner—Wallace R. Burke

Assistant Examiner—Marcus Jackson

Attorney, Agent, or Firm—Litman, McMahon & Brown

[57] **CLAIM**

The ornamental design for an illuminated display sign, as shown and described.

DESCRIPTION

FIG. 1 is a perspective view of an illuminated display sign, showing my new design;

FIG. 2 is a right side elevational view thereof;

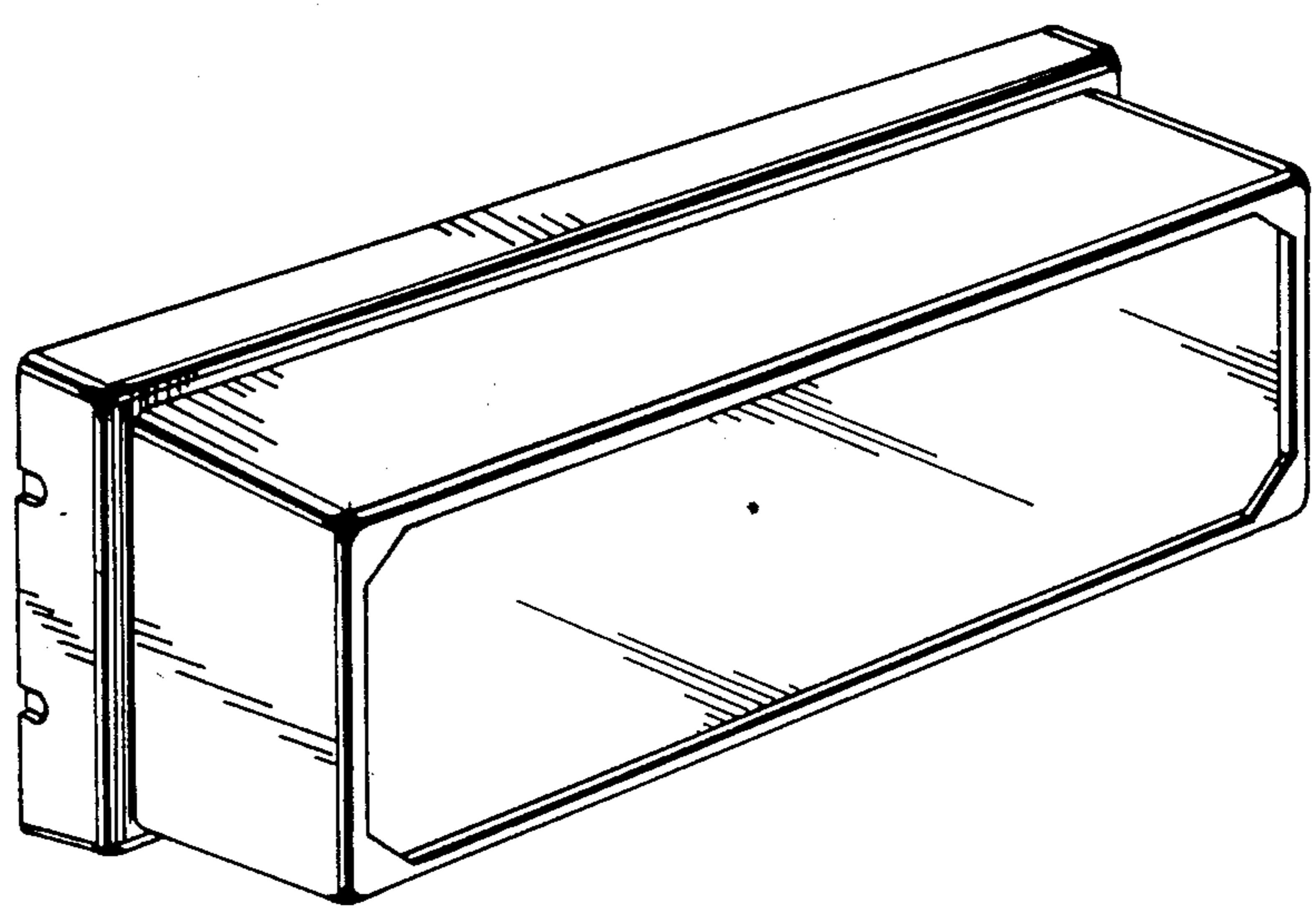
FIG. 3 is a front elevational view thereof;

FIG. 4 is a rear elevational view thereof;

FIG. 5 is a top plan view thereof;

FIG. 6 is a left side elevational view thereof; and

FIG. 7 is a bottom plan view thereof.



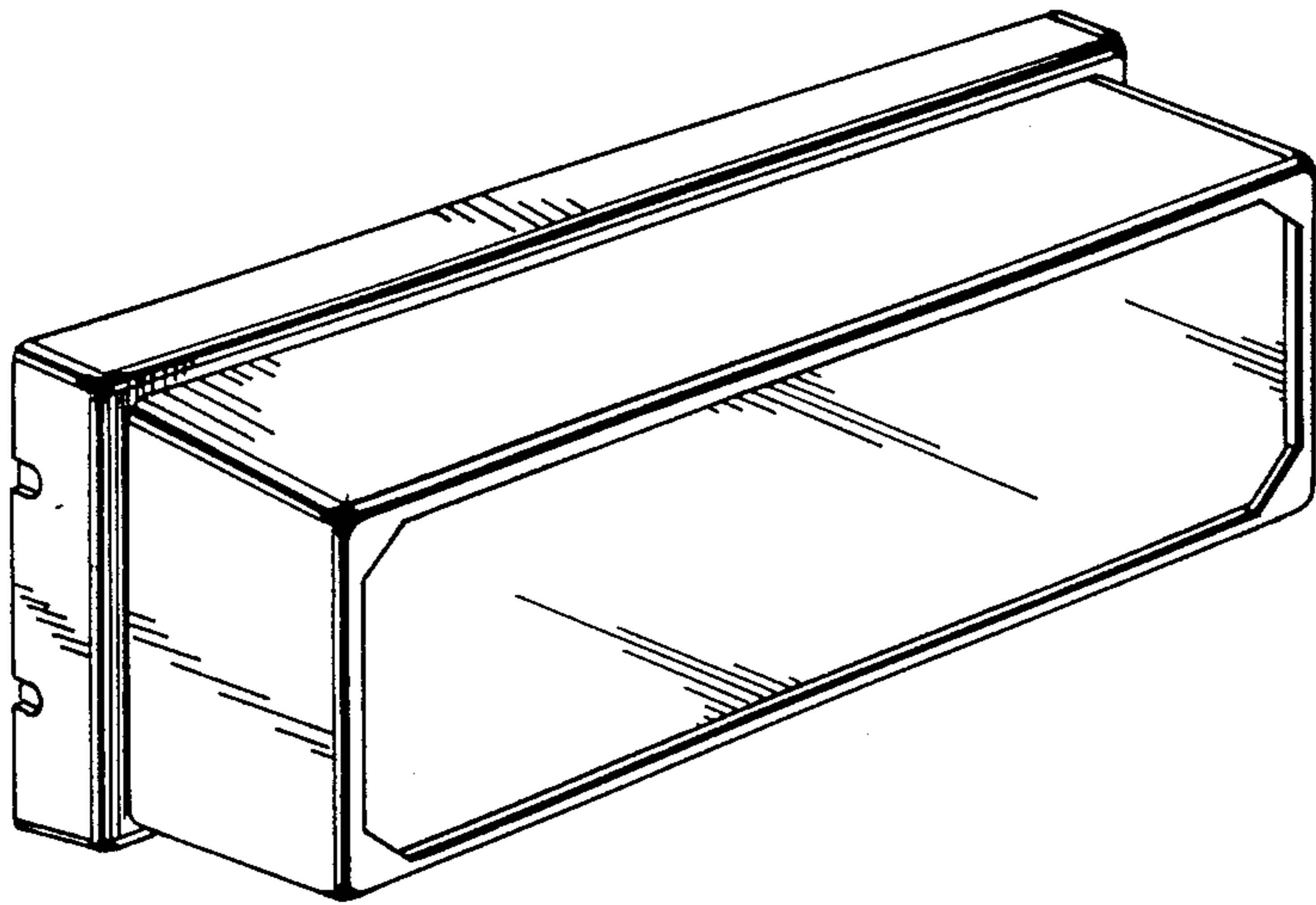


Fig. 1.

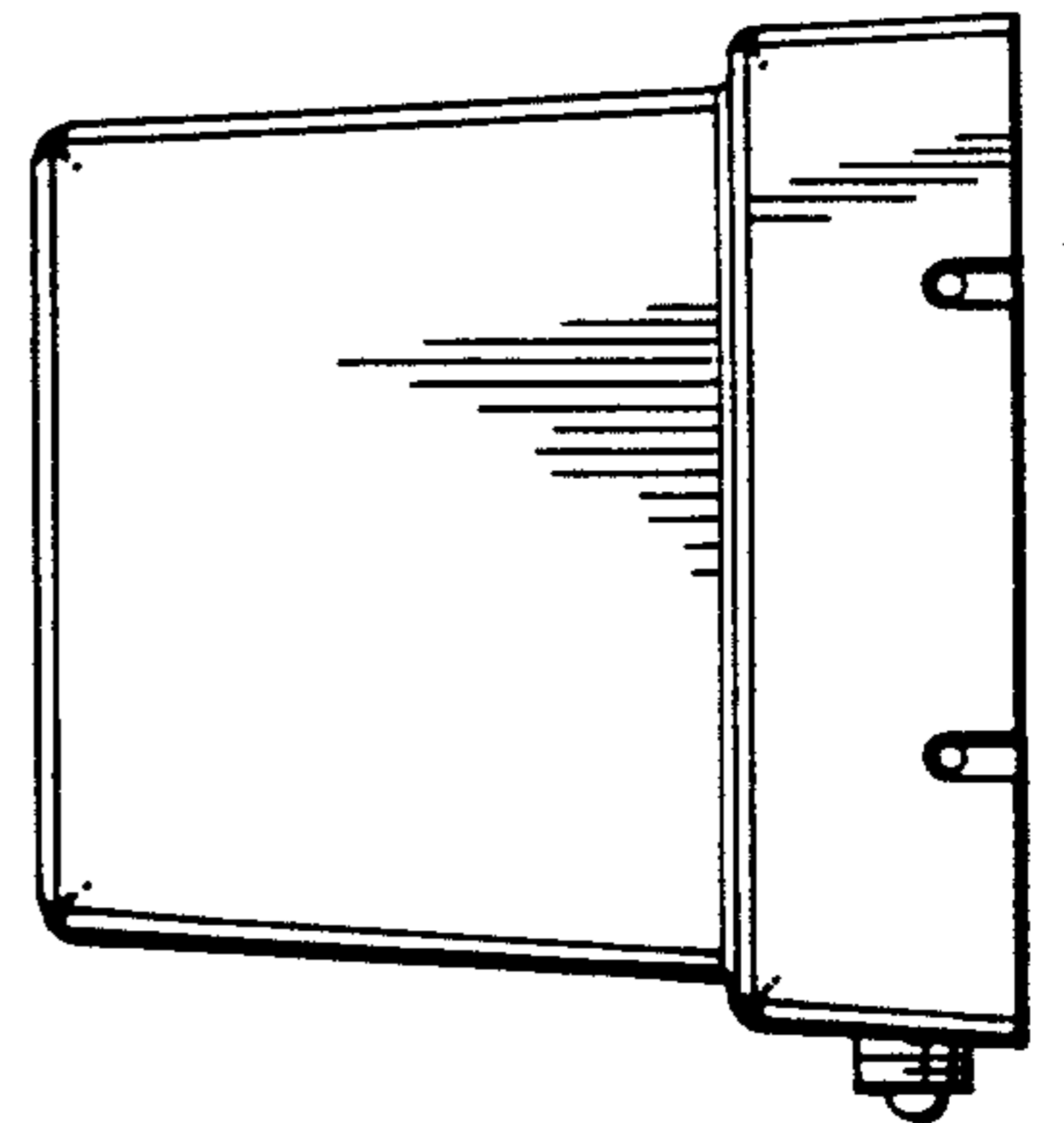


Fig. 2.

Fig. 3.

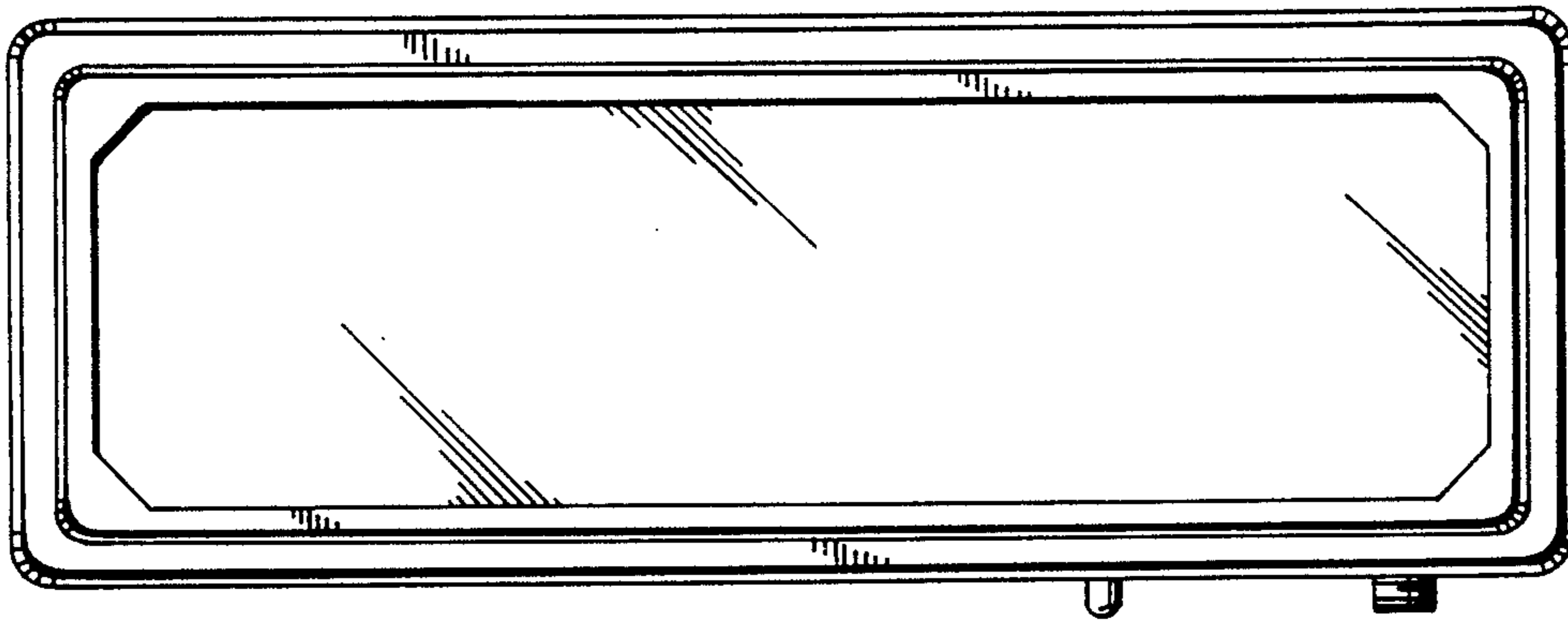


Fig. 4.

