

[54] BOOKEND

[75] Inventors: Robert E. Hawes, Jr., Huntington Bay; Eric Aaldenberg, Bayside, both of N.Y.

[73] Assignee: Esselte Pendaflex Corporation, Garden City, N.Y.

[**] Term: 14 Years

[21] Appl. No.: 171,534

[22] Filed: Mar. 22, 1988

[52] U.S. Cl. D19/34.1

[58] Field of Search D19/34.1; D20/43; D25/119, 129, 123, 125; D8/354, 366, 381; 248/300; 81/45, 51; 211/42, 43; 281/45

[56]

References Cited

U.S. PATENT DOCUMENTS

D. 25,317	3/1896	Allen	D20/43
1,598,467	8/1926	Weeks	D19/34.1 X
2,006,169	6/1935	Harris-Jones	281/45 X
2,990,150	6/1961	Weigel et al.	248/300 X

Primary Examiner—Wallace R. Burke
Assistant Examiner—Pamela J. Schmidt
Attorney, Agent, or Firm—Darby & Darby

[57]

CLAIM

The ornamental design for bookend, as shown.

DESCRIPTION

FIG. 1 is a perspective view of a bookend showing our new design;
FIG. 2 is a front elevational view thereof;
FIG. 3 is a right side elevational view thereof, the left side view being a mirror image thereof;
FIG. 4 is a back elevational view thereof;
FIG. 5 is a top plan view thereof; and
FIG. 6 is a bottom plan view thereof.

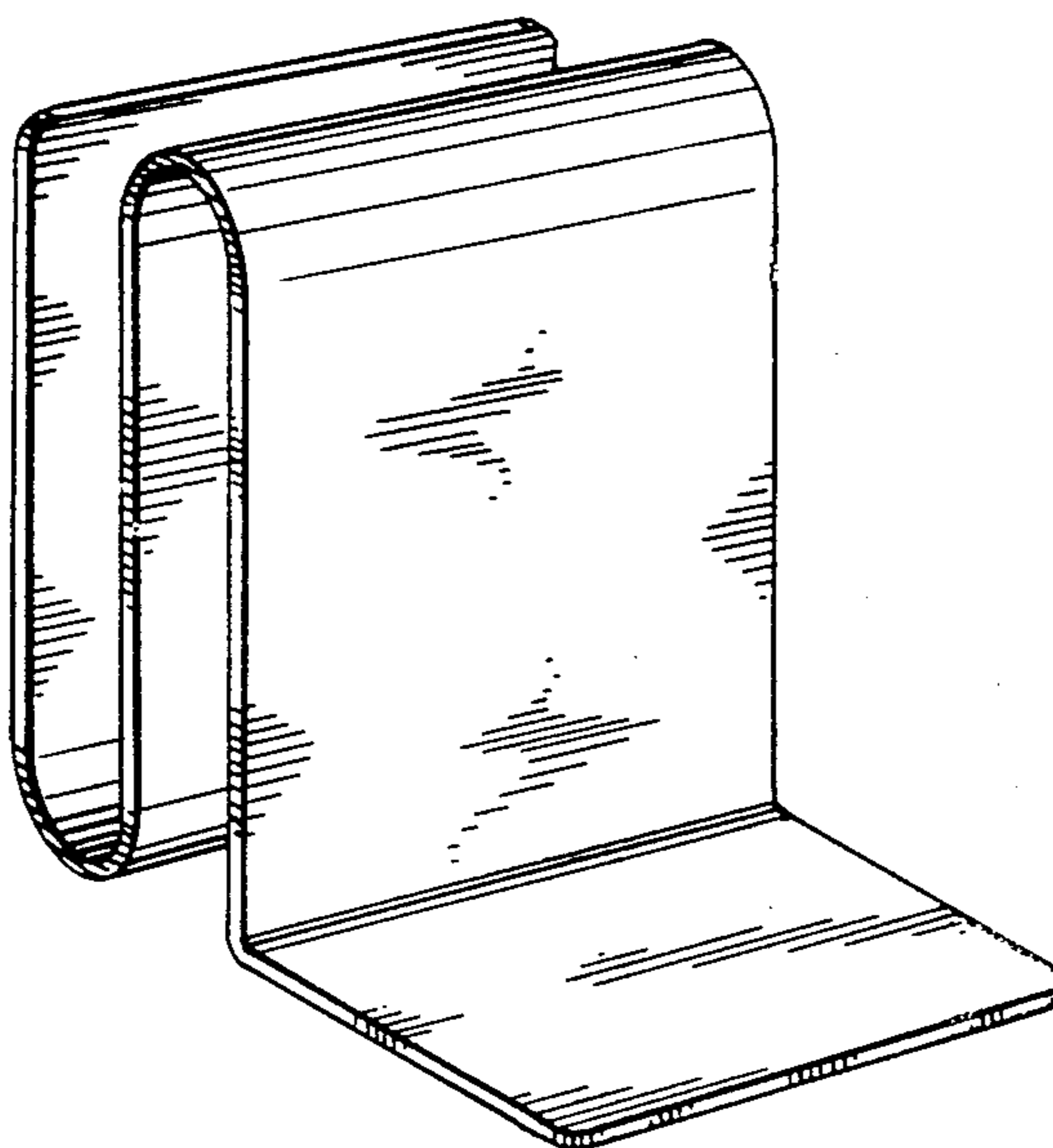


FIG. 1

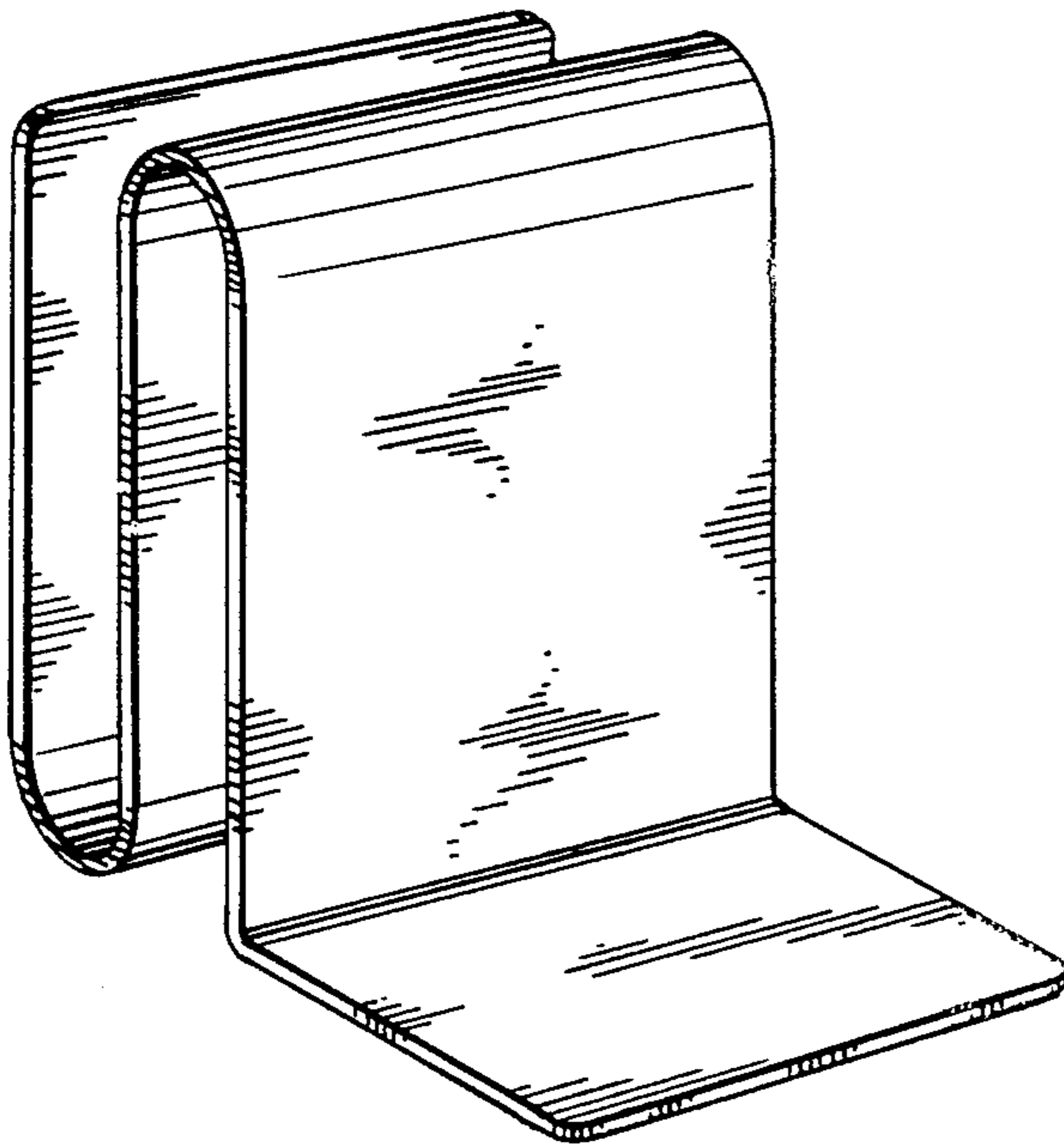


FIG. 2

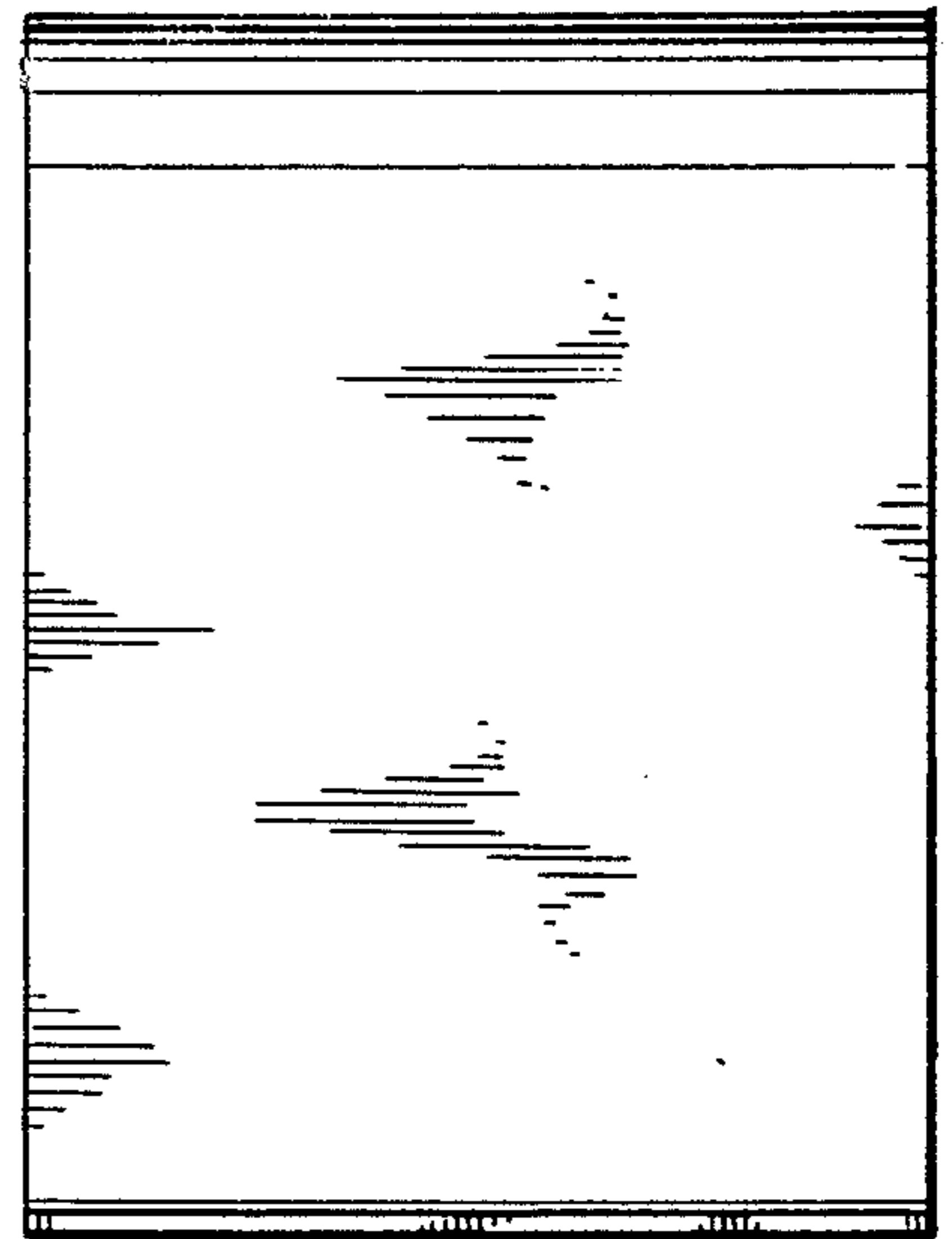


FIG. 3

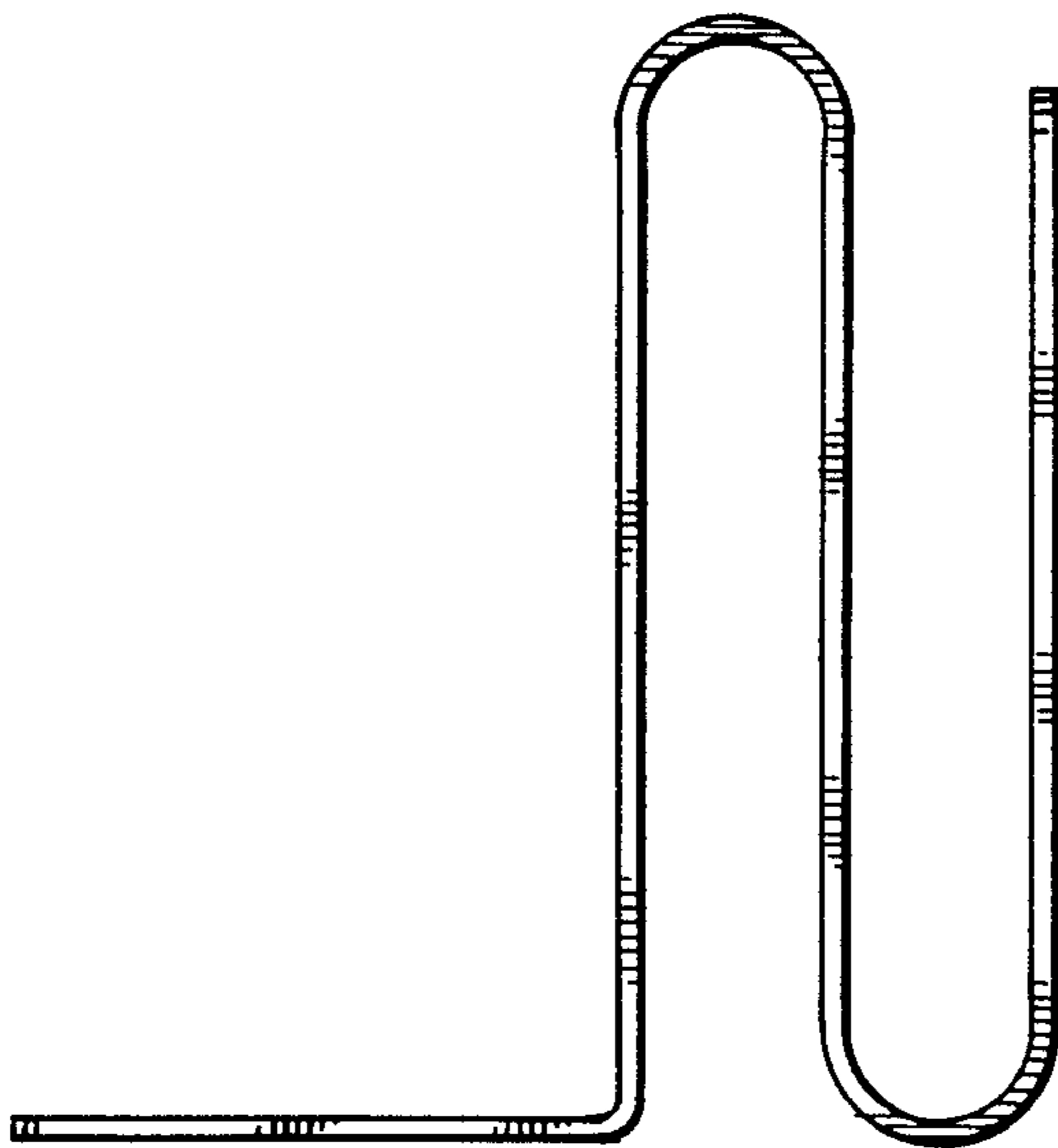


FIG. 4

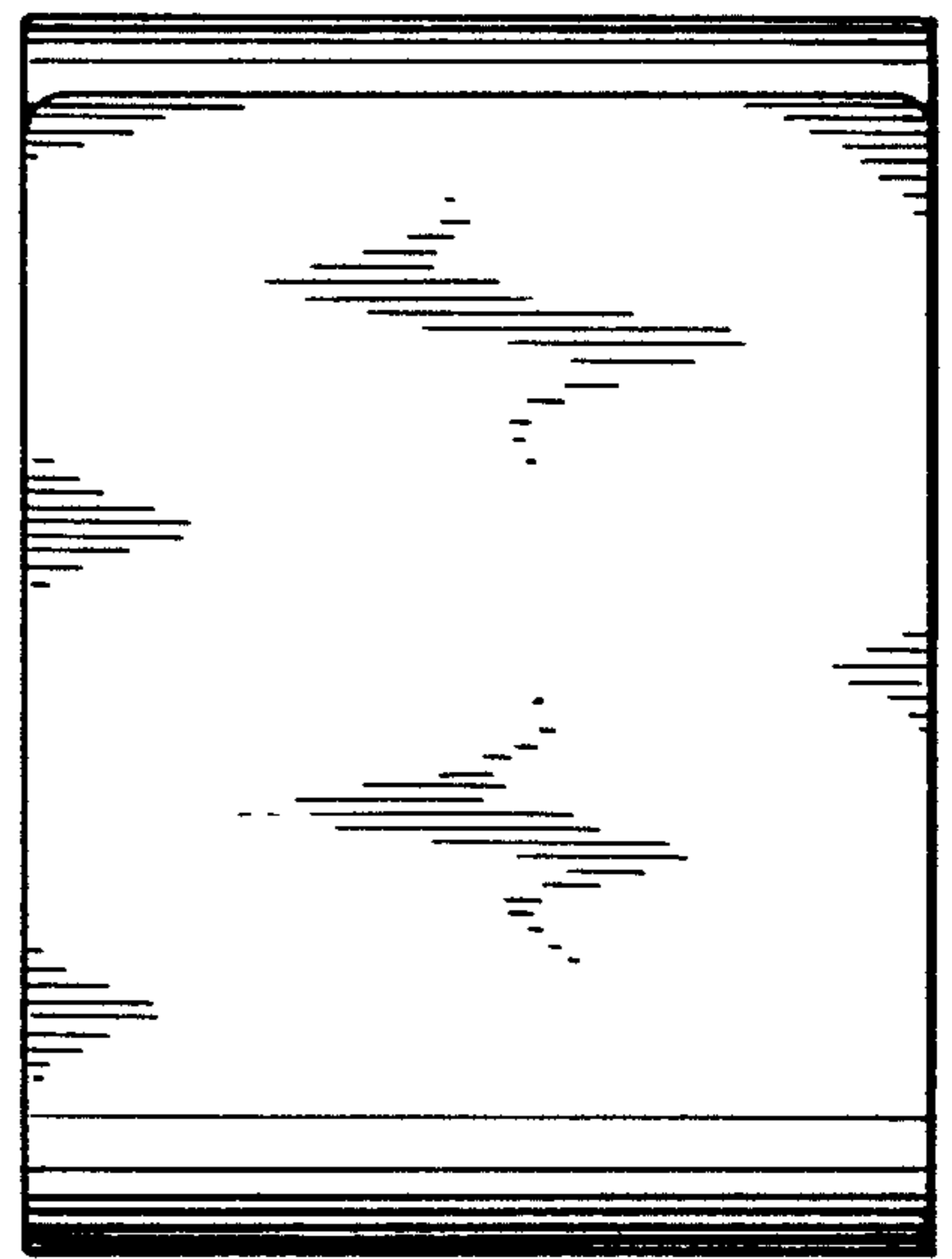


FIG. 5

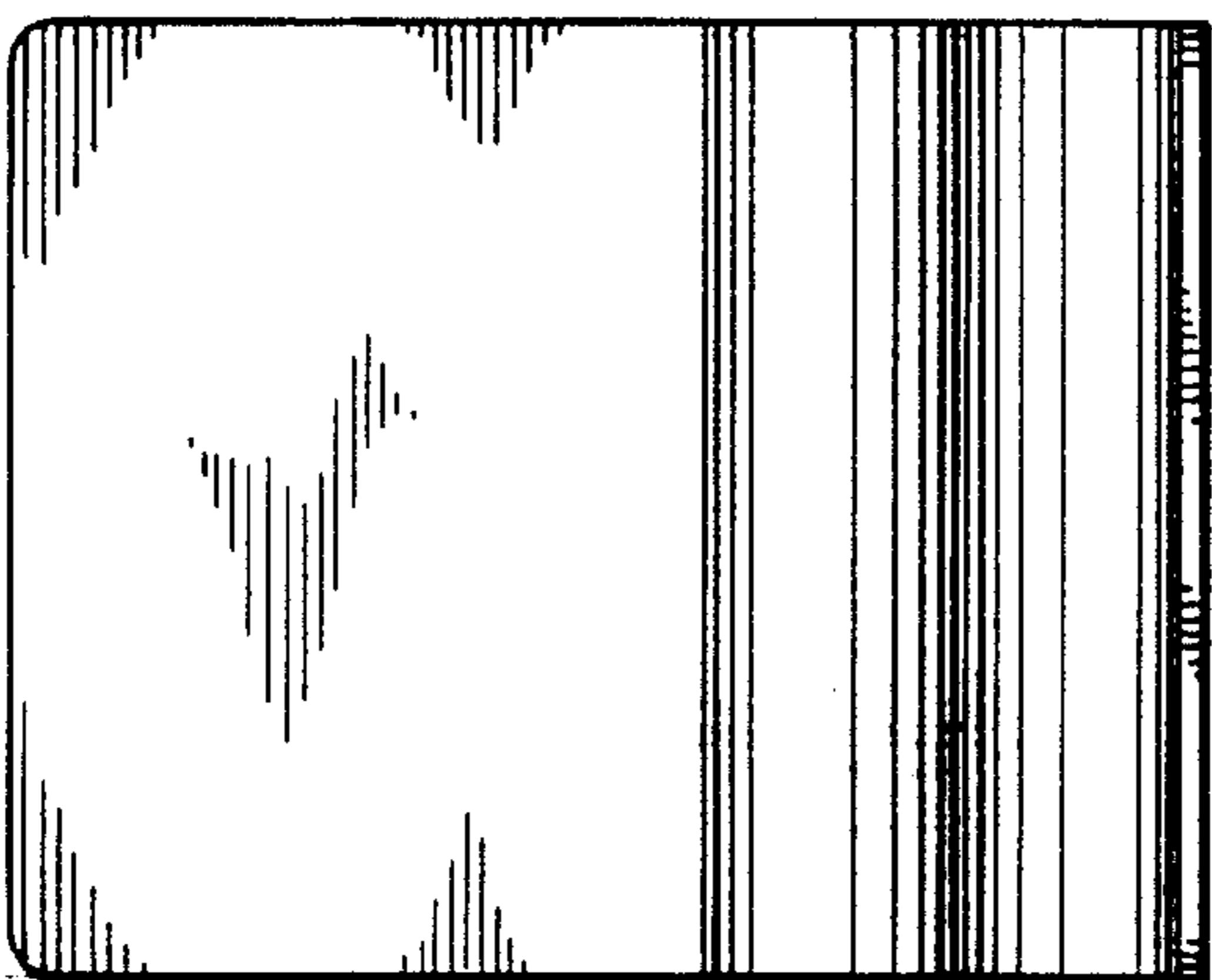


FIG. 6

