

[54] **DISPLAY SHEET**
 [75] **Inventor: Ronald A. Holm, Maplewood, Minn.**
 [73] **Assignee: Duratec Corporation, St. Paul, Minn.**
 [**] **Term: 14 Years**
 [21] **Appl. No.: 55,749**
 [22] **Filed: May 29, 1987**
 [52] **U.S. Cl. D19/33**
 [58] **Field of Search D19/26, 27, 33, 1, 28, D19/29, 30, 31, 32, 34, 34.1; 150/135, 152; 283/114, 63.1, 36; 402/75, 80, 76, 33, 31, 502, 503; 40/537, 159**

4,500,021 2/1985 Bildusas 225/49
 4,605,245 8/1986 Weaver 281/34
 4,676,527 6/1987 Palmer 281/31

FOREIGN PATENT DOCUMENTS

1156540 5/1958 France D19/27
 2187140 9/1987 United Kingdom 402/76

OTHER PUBLICATIONS

Myron Manufacturing Corp., Spring, 1971, p. 8, Envelope on left center of page.

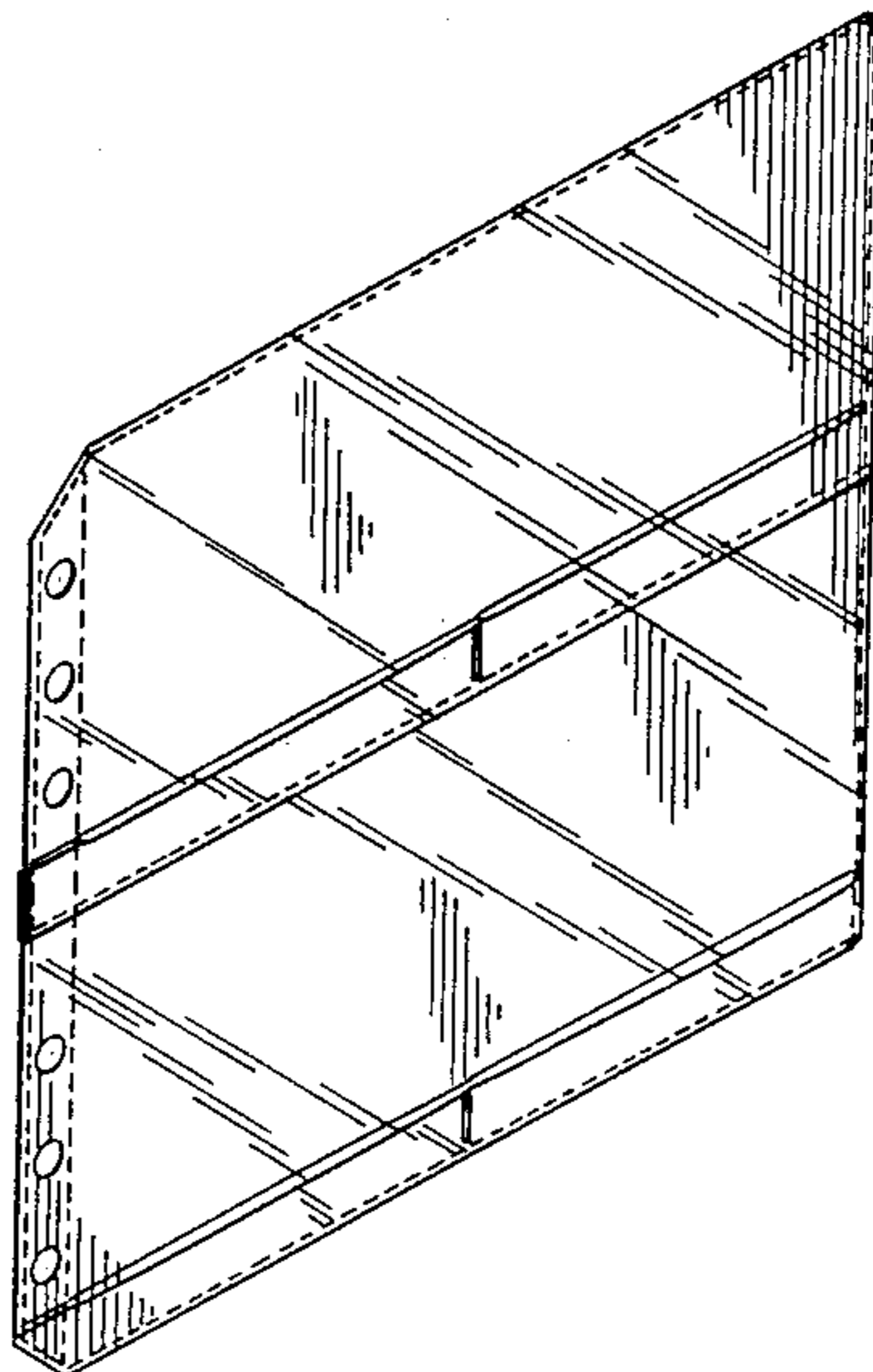
Primary Examiner—Wallace R. Burke
Assistant Examiner—Pamela J. Schmidt
Attorney, Agent, or Firm—Kinney & Lange

[56] **References Cited**
U.S. PATENT DOCUMENTS

938,910 11/1909 Sultzer .
 2,123,903 7/1938 Lane et al. 281/15
 2,539,718 1/1951 Balzak 197/135
 3,071,881 1/1963 Ruterbusch 40/158
 3,267,980 8/1966 Bird 150/35
 3,651,591 3/1972 Woodyard 40/104.1
 3,735,516 5/1973 Wenstrom 40/104.1
 3,921,322 11/1975 Sharp 40/104.1
 4,065,864 1/1978 Stanley 40/405

[57] **CLAIM**
 The ornamental design for a display sheet, as shown and described.

DESCRIPTION
 FIG. 1 is a perspective view of a note paper display sheet, showing my new design;
 FIG. 2 is a rear elevational view thereof;
 FIG. 3 is bottom plan view thereof;
 FIG. 4 is a left side elevational view thereof; and
 FIG. 5 is a right side elevational view thereof.



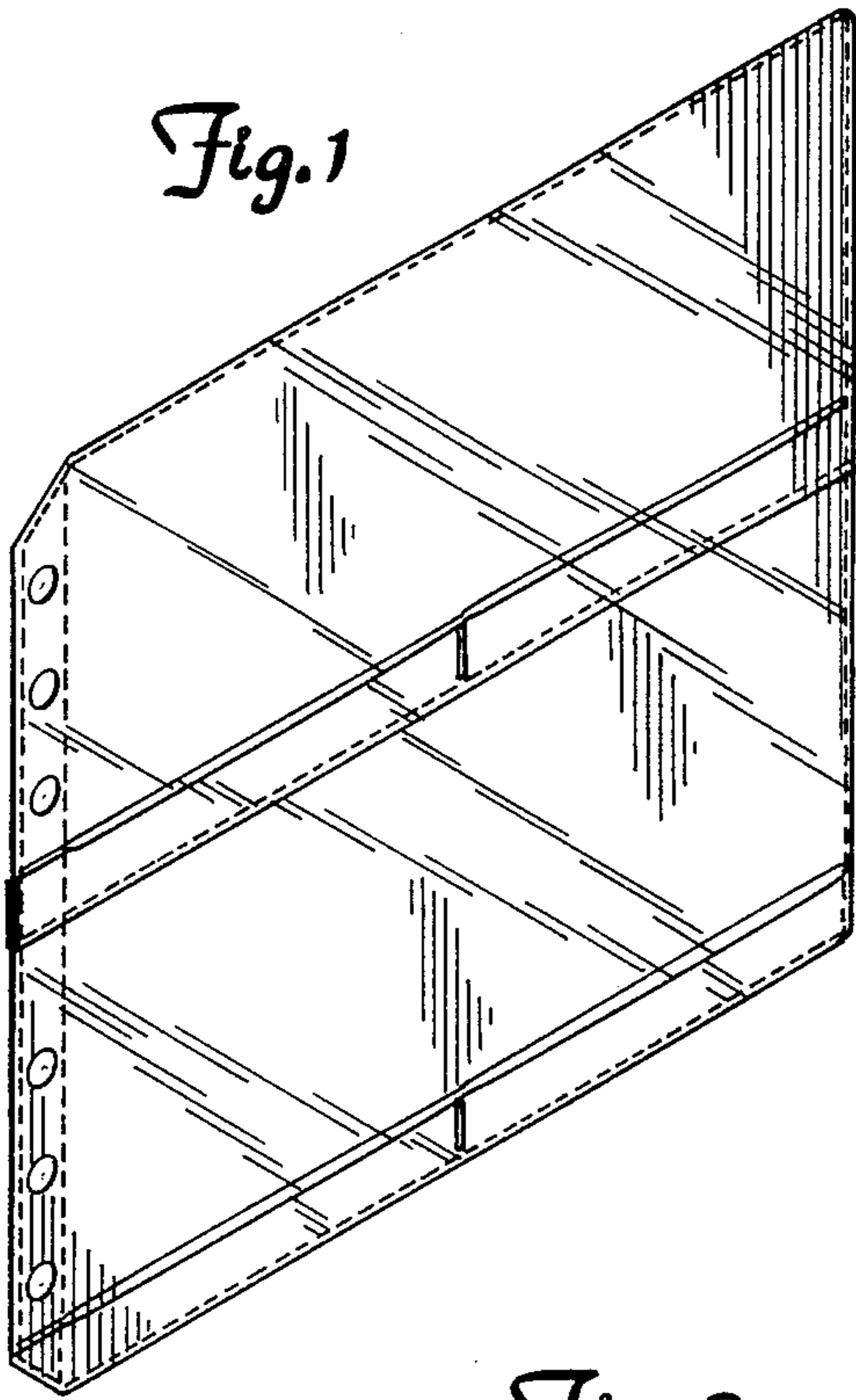


Fig. 1

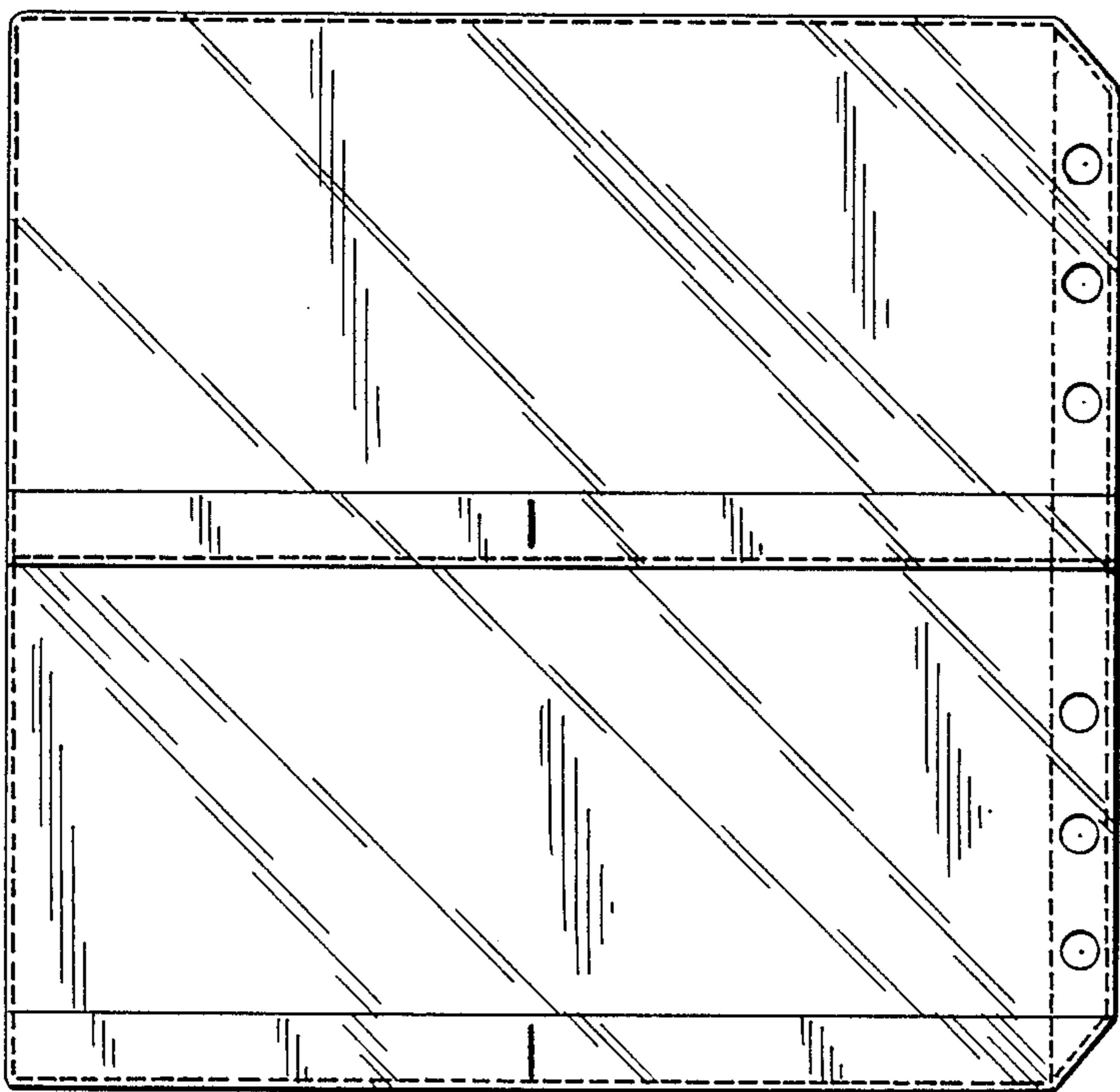


Fig. 2

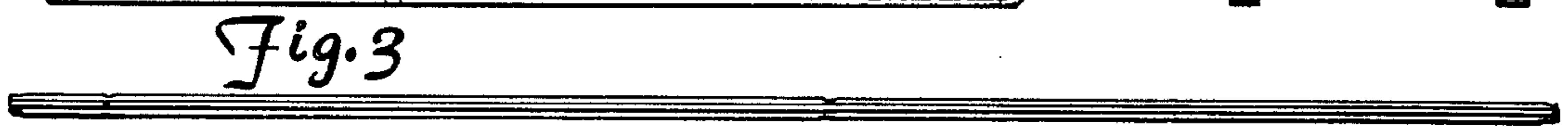


Fig. 3

Fig. 4

Fig. 5

