

[54] **COPYING MACHINE**

[75] Inventors: **Mikio Kosako; Youichi Tatsuta**, both of Osaka, Japan

[73] Assignee: **Sharp Corporation**, Osaka, Japan

[**] Term: **14 Years**

[21] Appl. No.: **160,079**

[22] Filed: **Feb. 25, 1988**

[30] **Foreign Application Priority Data**

Sep. 11, 1987 [JP] Japan 62-37407

[52] U.S. Cl. **D18/37**

[58] Field of Search D18/13, 36-40; D14/111, 114; 355/200, 210, 233, 234

[56] **References Cited**

U.S. PATENT DOCUMENTS

- D. 285,451 9/1986 Kosako et al. D18/36
- D. 292,591 11/1987 Morozumi D18/37

- D. 296,903 7/1988 Ooie D18/37
- D. 300,225 3/1989 Morozumi D18/37
- D. 303,792 10/1989 Hara D18/37 X

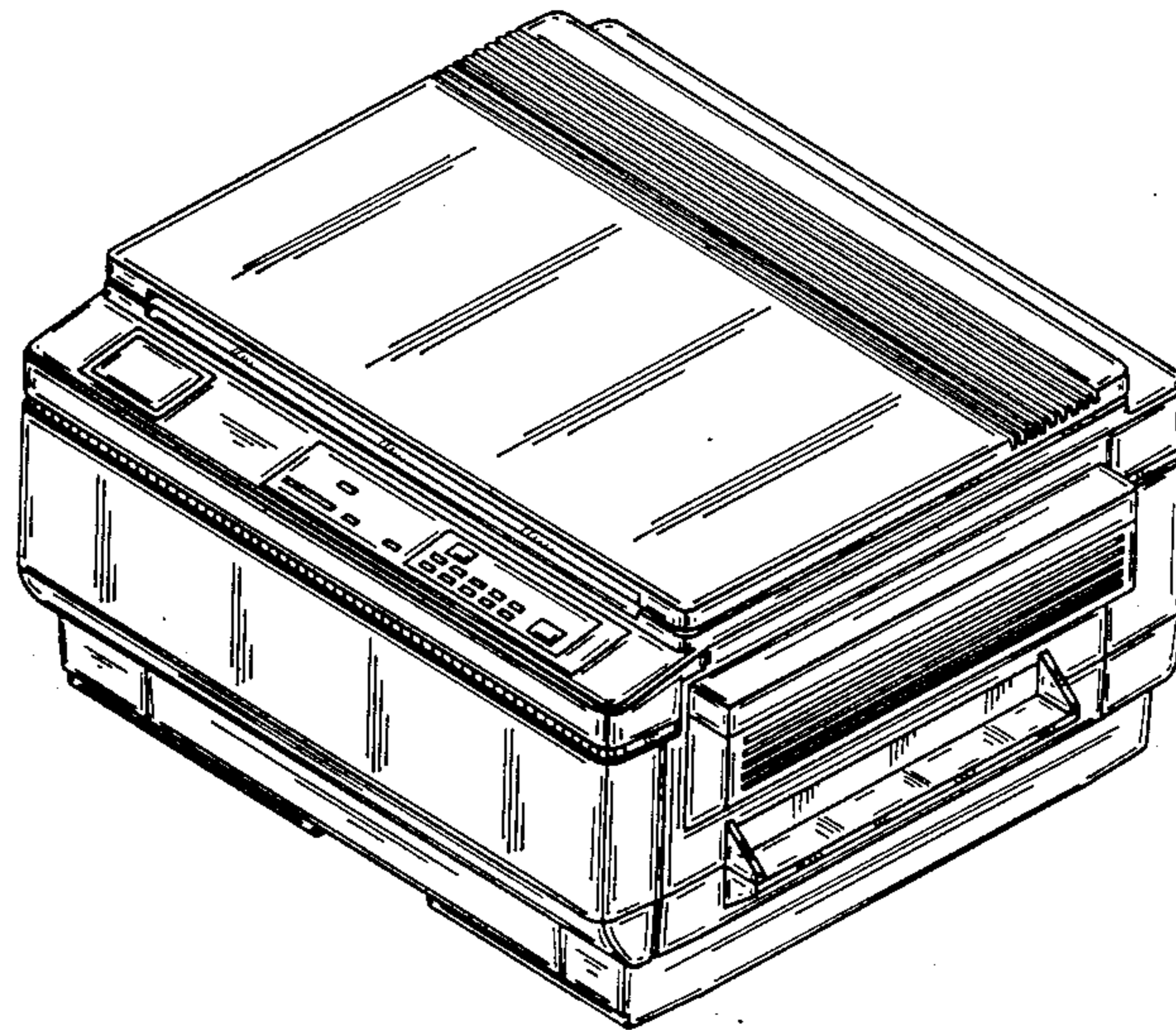
Primary Examiner—Nelson C. Holtje
Assistant Examiner—Caron D. Veynar
Attorney, Agent, or Firm—Flehr, Hohbach, Test, Albritton & Herbert

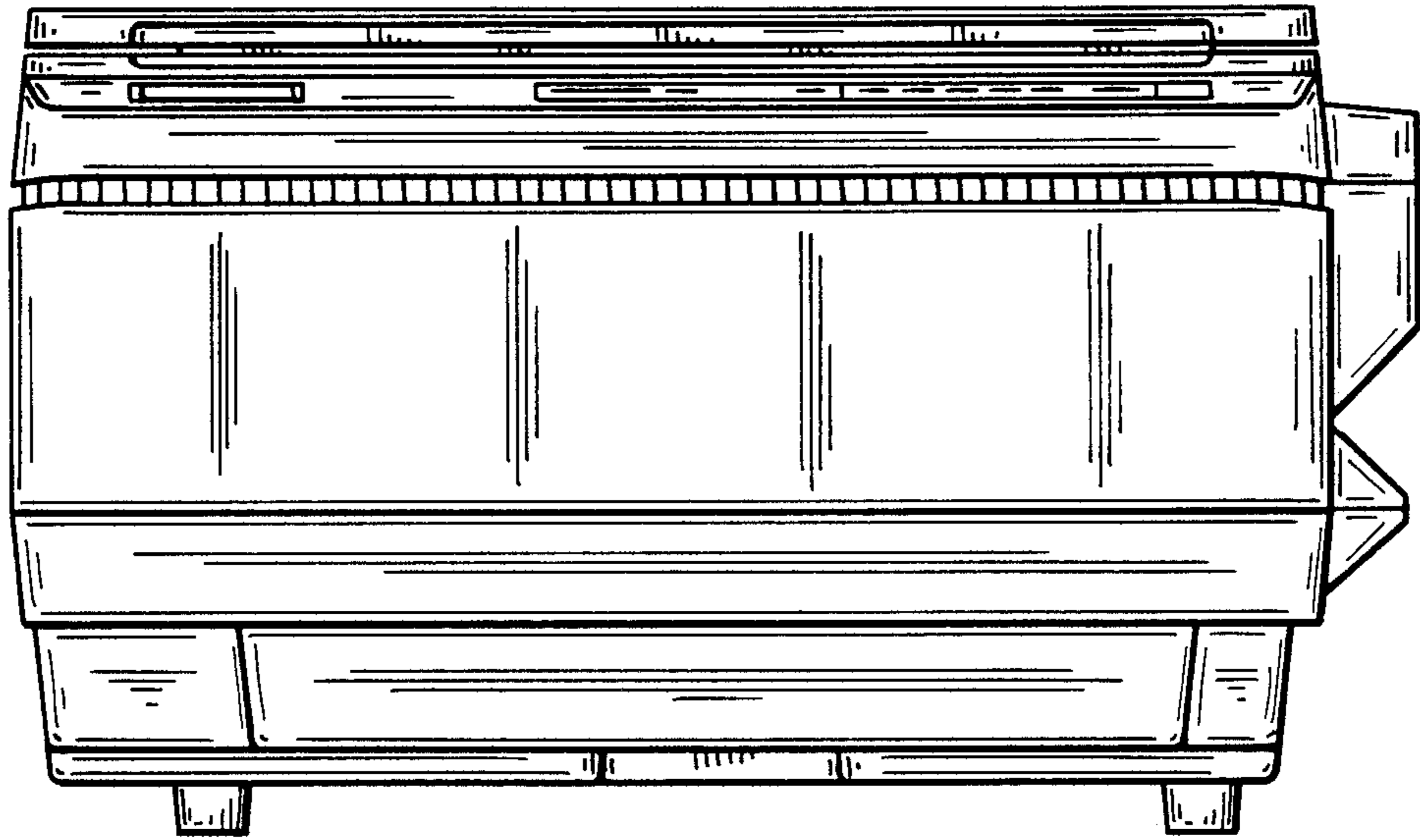
[57] **CLAIM**

The ornamental design for a copying machine, as shown and described.

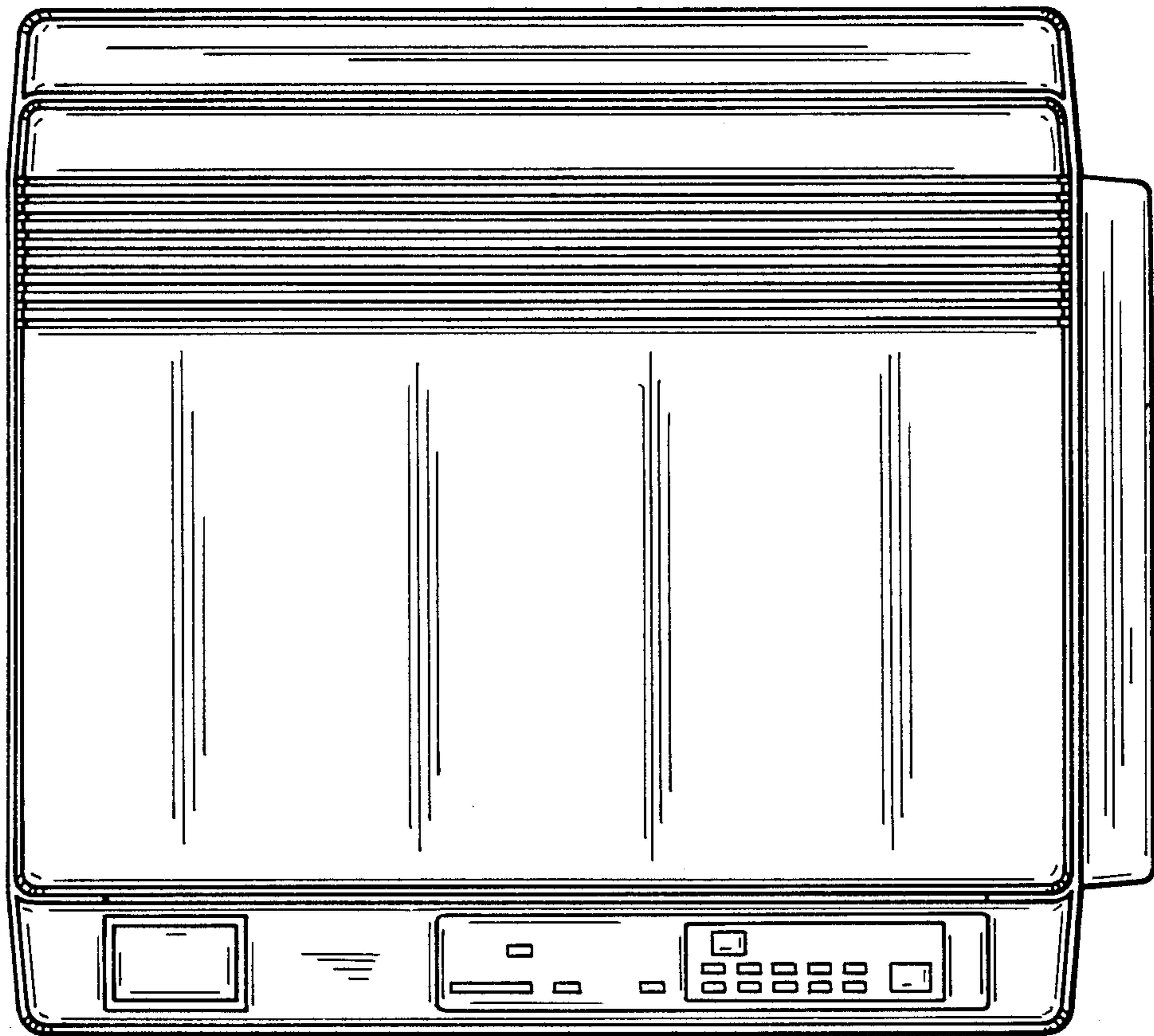
DESCRIPTION

FIG. 1 is a front elevational view of the copying machine showing our new design;
FIG. 2 is a rear elevational view thereof;
FIG. 3 is a top plan view thereof;
FIG. 4 is a bottom plan view thereof;
FIG. 5 is a right side elevational view thereof; and
FIG. 6 is a left side elevational view thereof.
FIG. 7 is a right, front perspective view thereof.

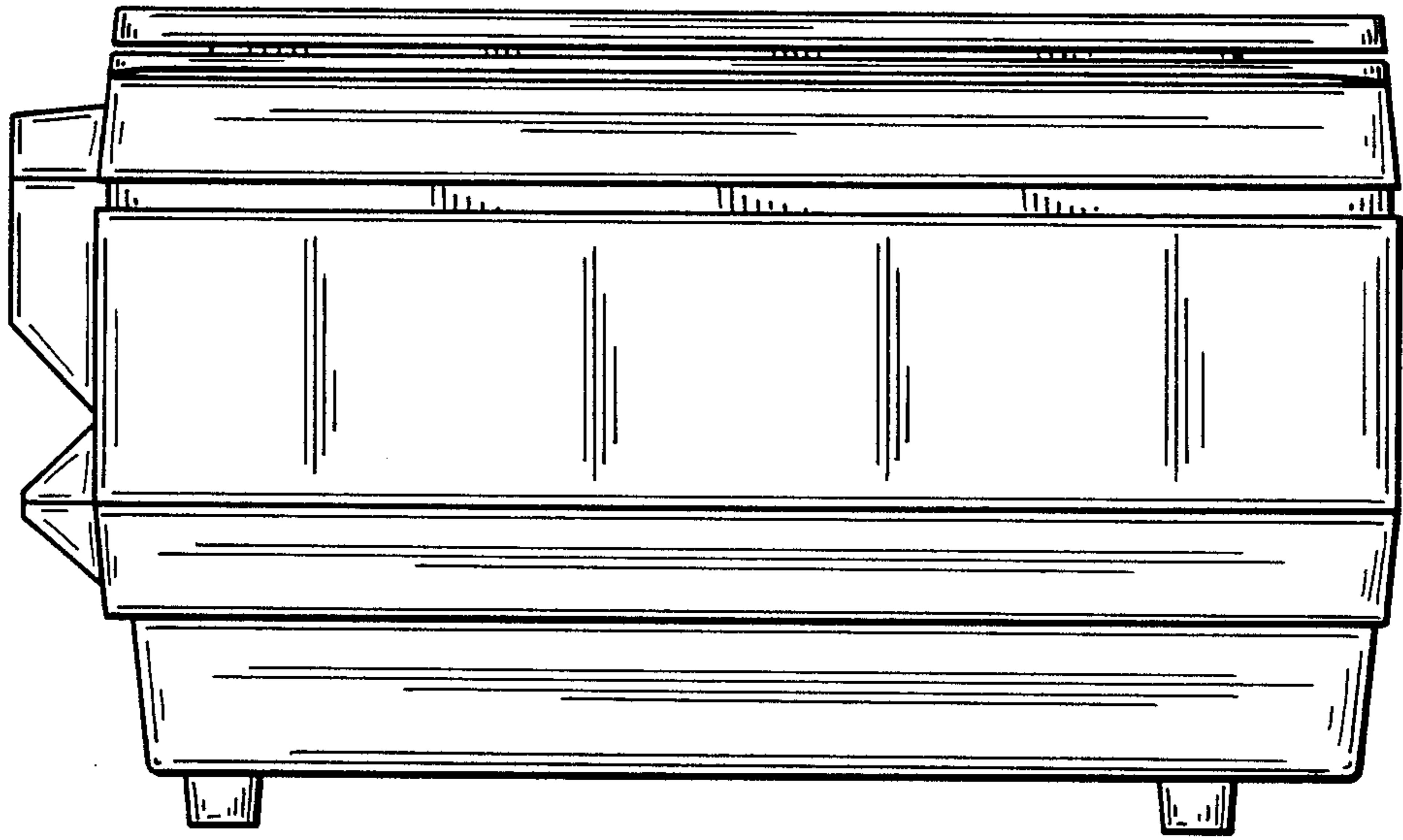




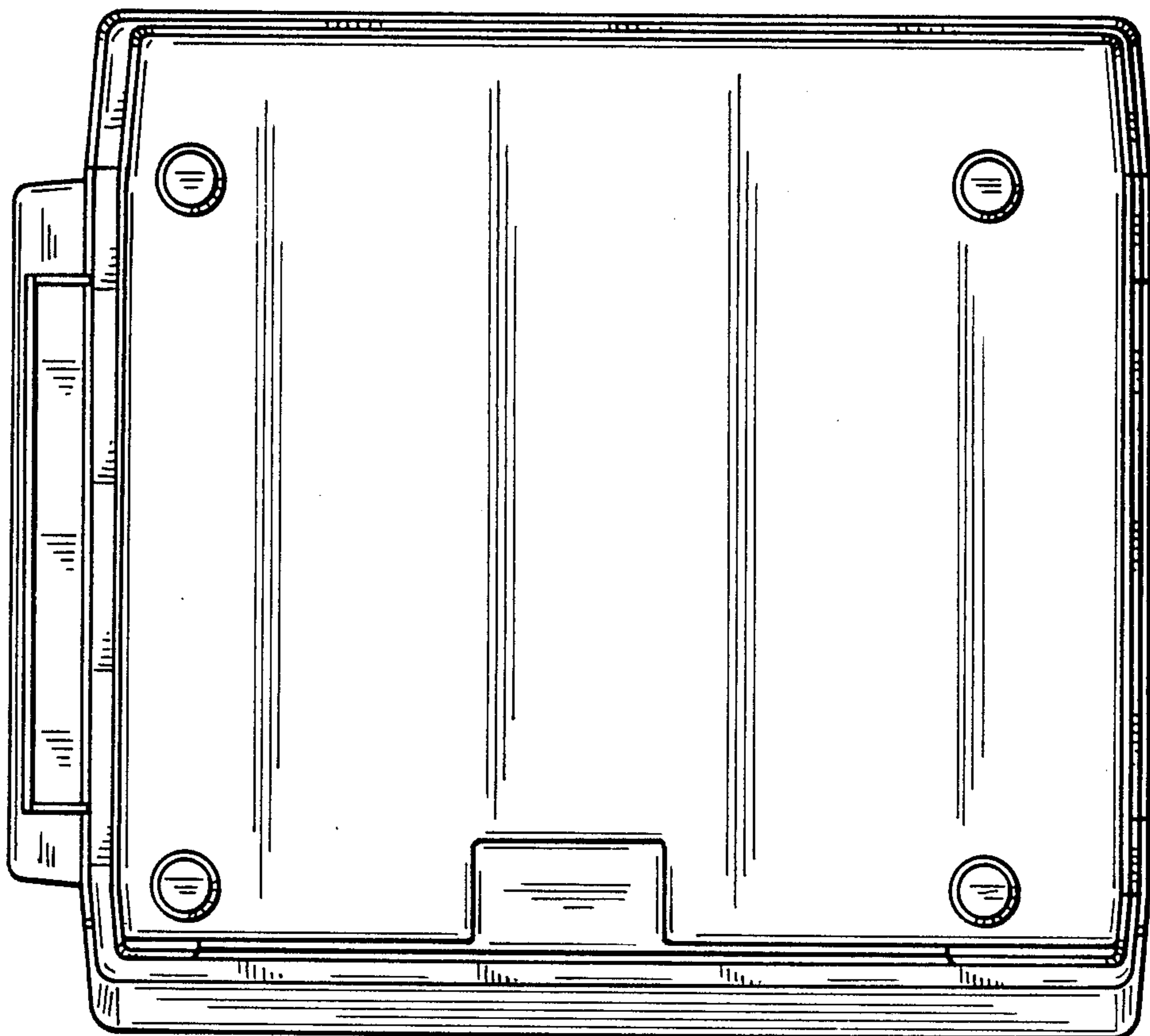
FIG_1



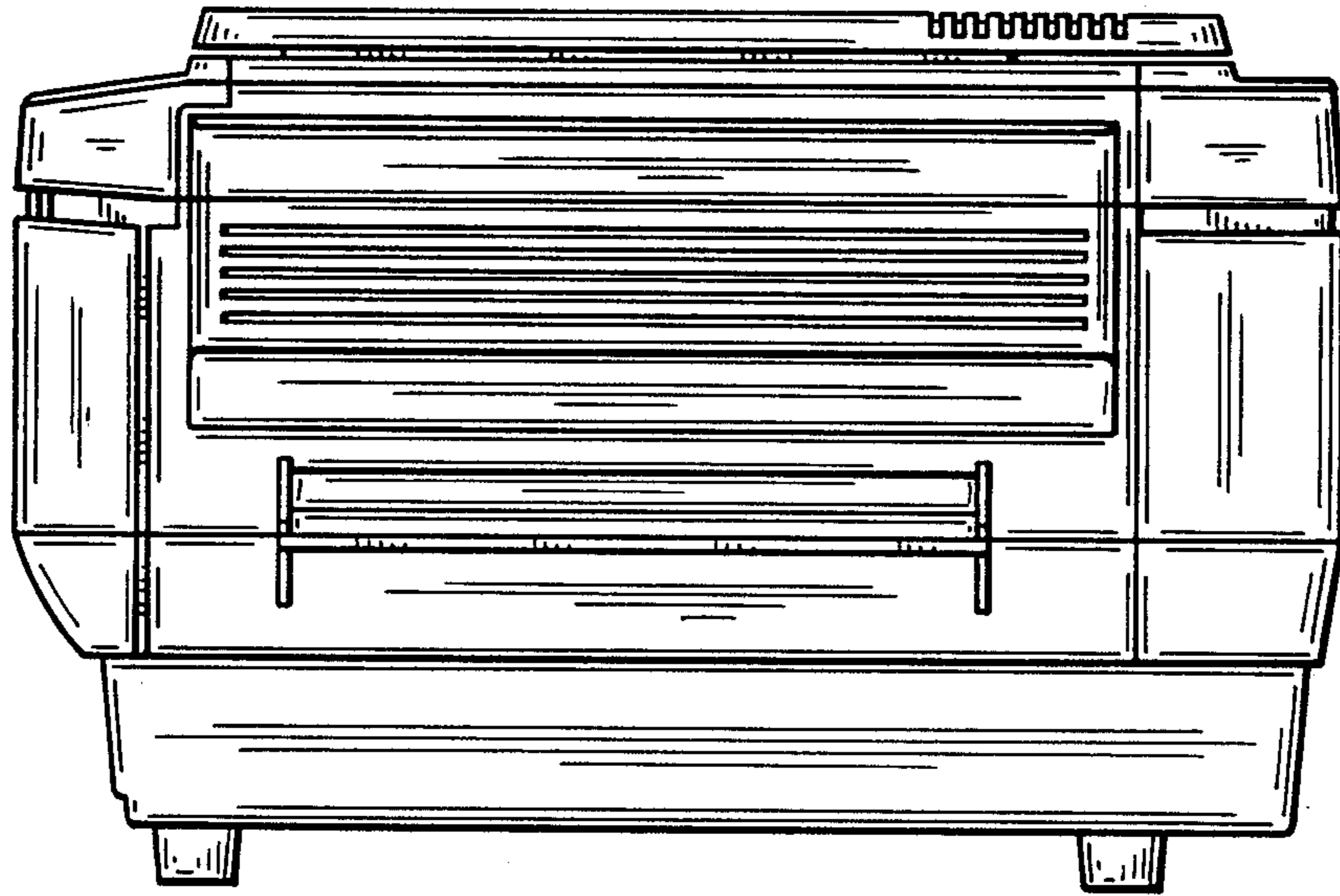
FIG_3



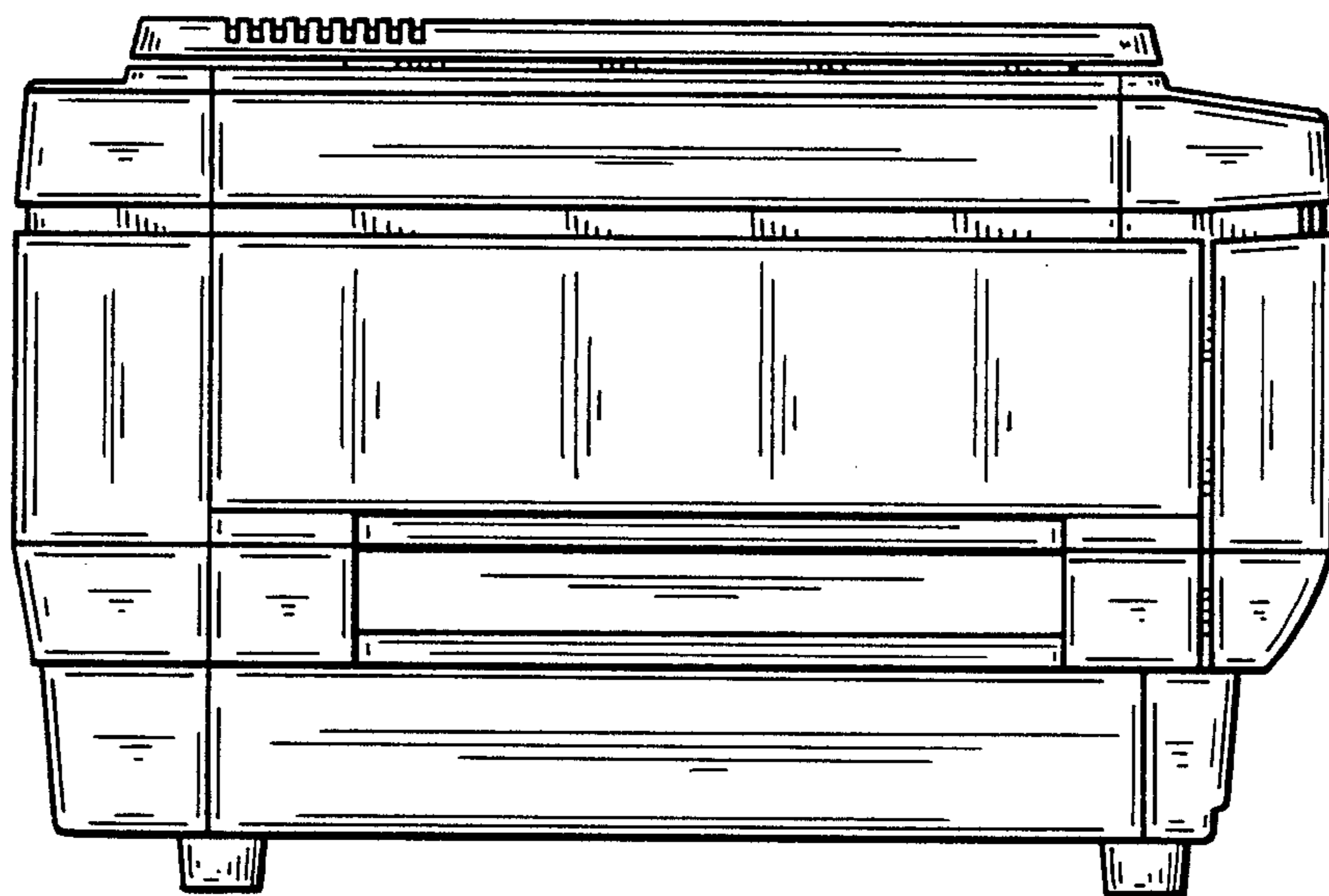
FIG_2



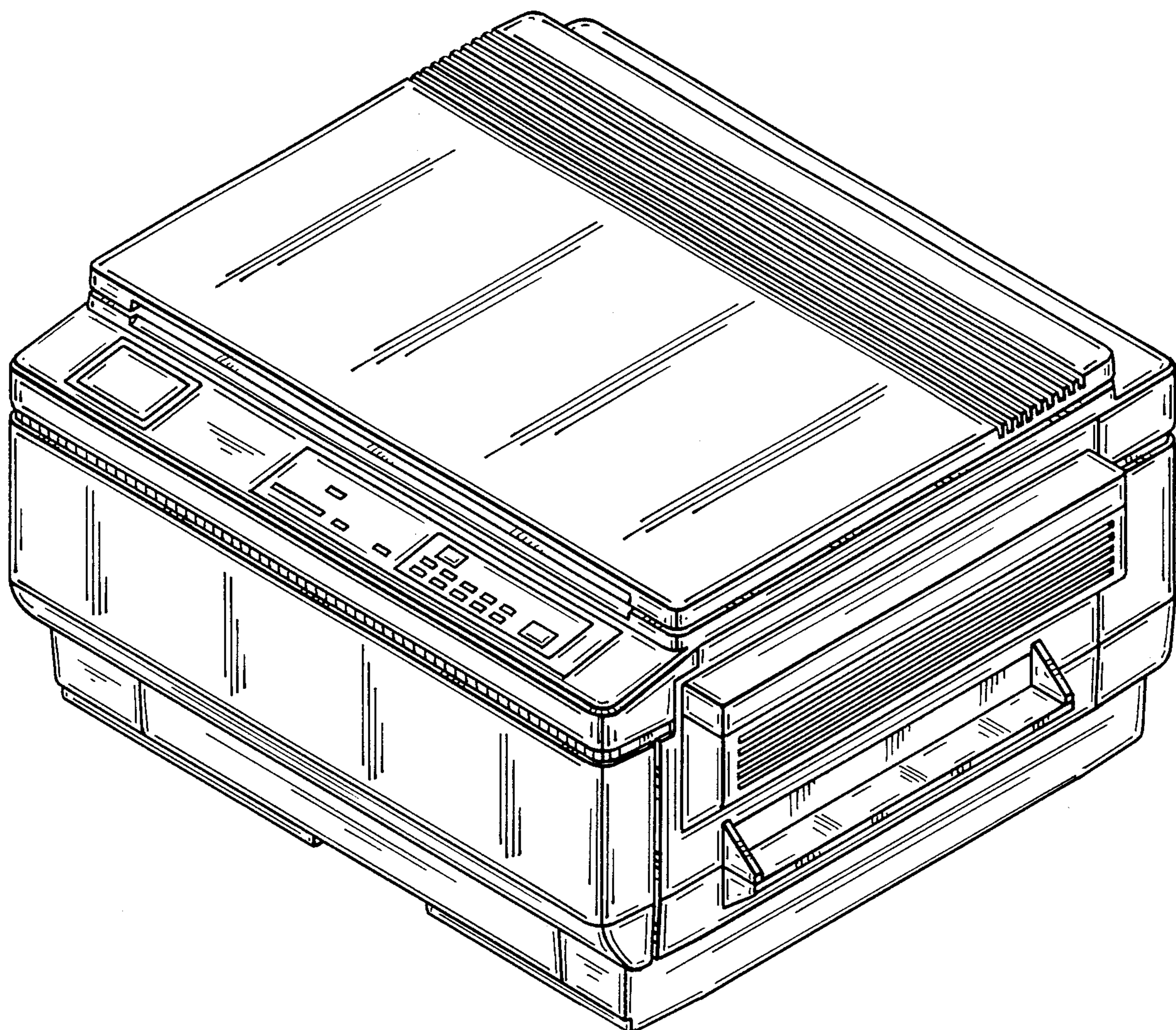
FIG_4



FIG_5



FIG_6



FIG_7