

[54] **PLATING MACHINE FOR DEPOSITING PRECIOUS METALS ONTO DISCRETE COMPONENTS**

[75] Inventor: Neil T. Souter, Kingsthorpe, England

[73] Assignee: S. G. Owen (Northampton), Ltd., Northampton, England

[**] Term: 14 Years

[21] Appl. No.: 92,281

[22] Filed: Sep. 2, 1987

[30] **Foreign Application Priority Data**

Mar. 2, 1987 [GB] United Kingdom 1040419

[52] U.S. Cl. **D15/199**

[58] Field of Search D6/437, 439, 438; D15/199

[56] **References Cited**

U.S. PATENT DOCUMENTS

D. 277,761 2/1985 Korovin et al. D15/199

Primary Examiner—Bruce W. Dunkins

Assistant Examiner—Jeffrey Asch

Attorney, Agent, or Firm—Shlesinger, Fitzsimmons & Shlesinger

[57] **CLAIM**

An ornamental design for a plating machine for depositing precious metals onto discrete components, as shown and described.

DESCRIPTION

FIG. 1 is a front elevational view of a plating machine for depositing precious metals onto discrete components showing my new design;

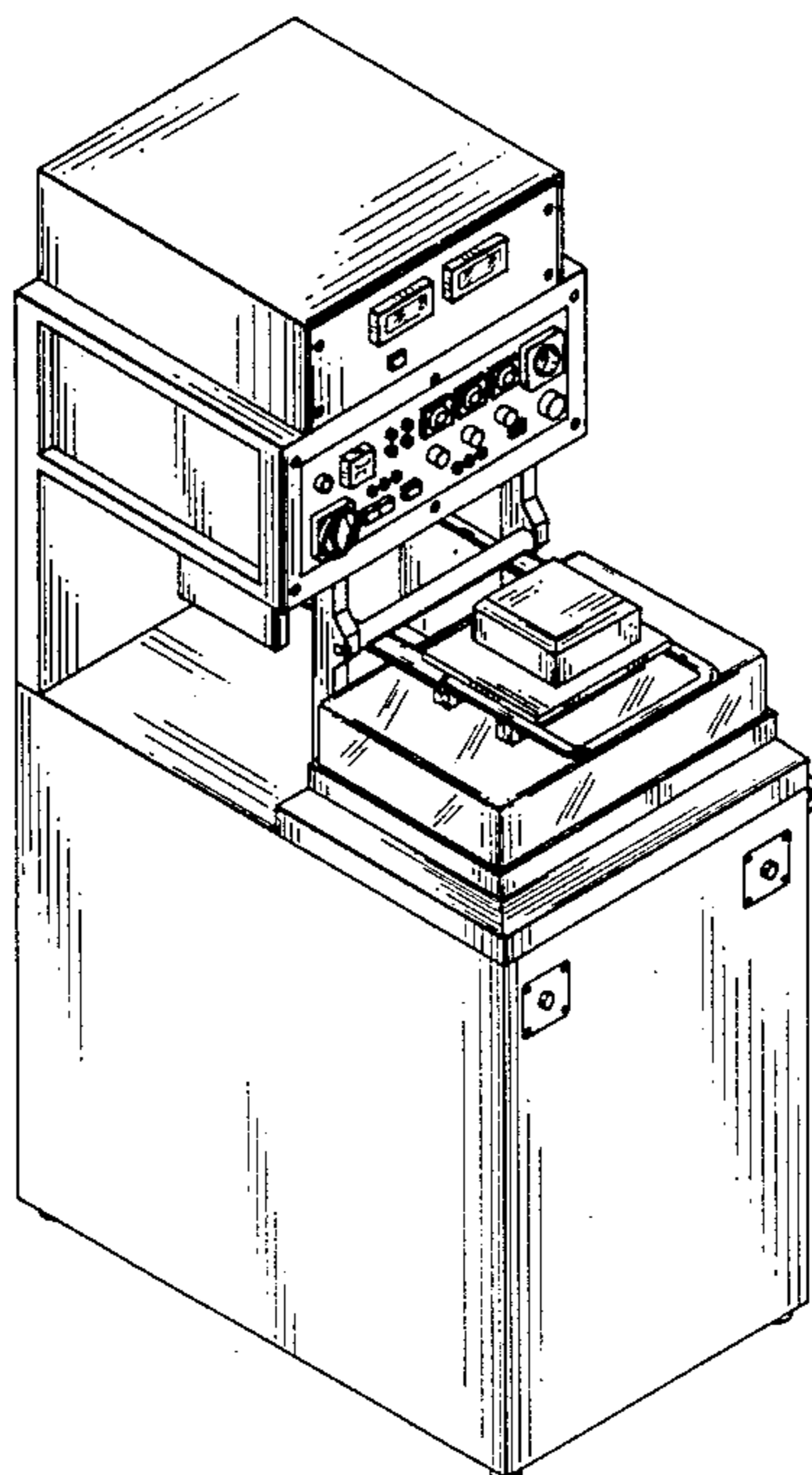
FIG. 2 is a left side elevational view thereof;

FIG. 3 is a top plan view thereof;

FIG. 4 is a right side elevational view thereof; and

FIG. 5 is a perspective view thereof.

The back of the machine is plain and unornamented.



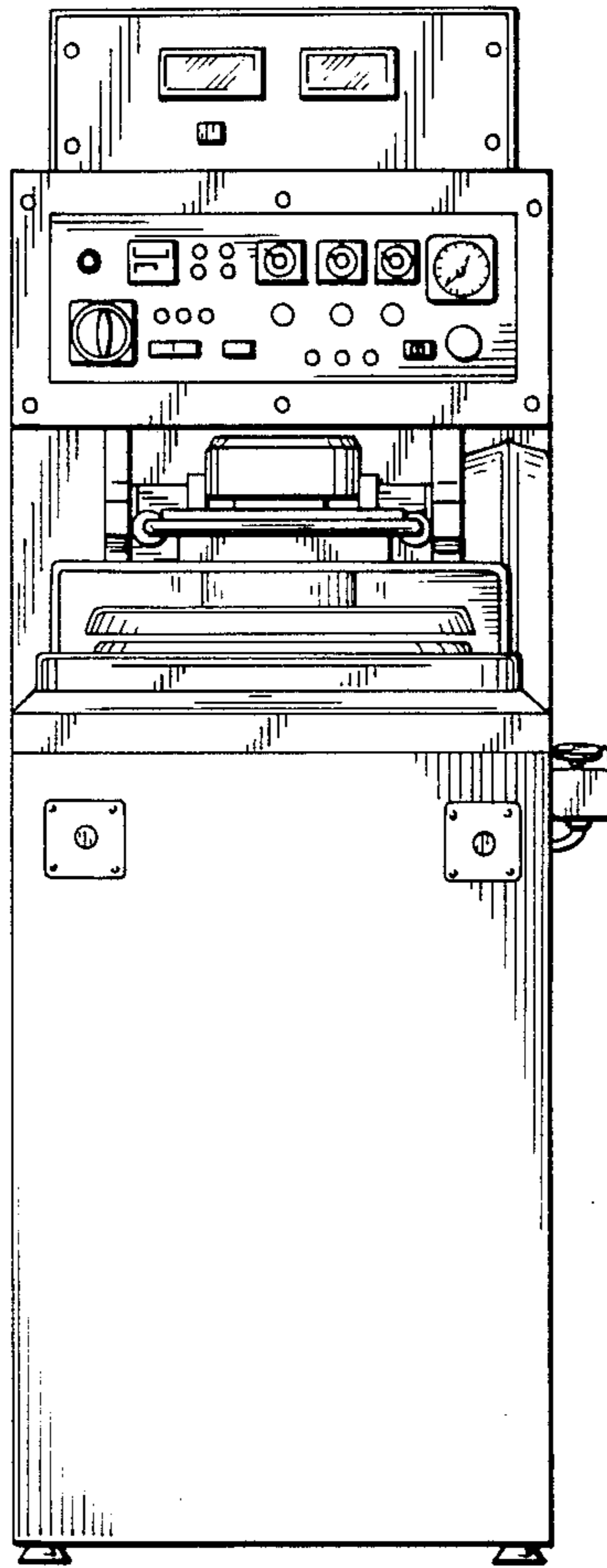


Fig.1.

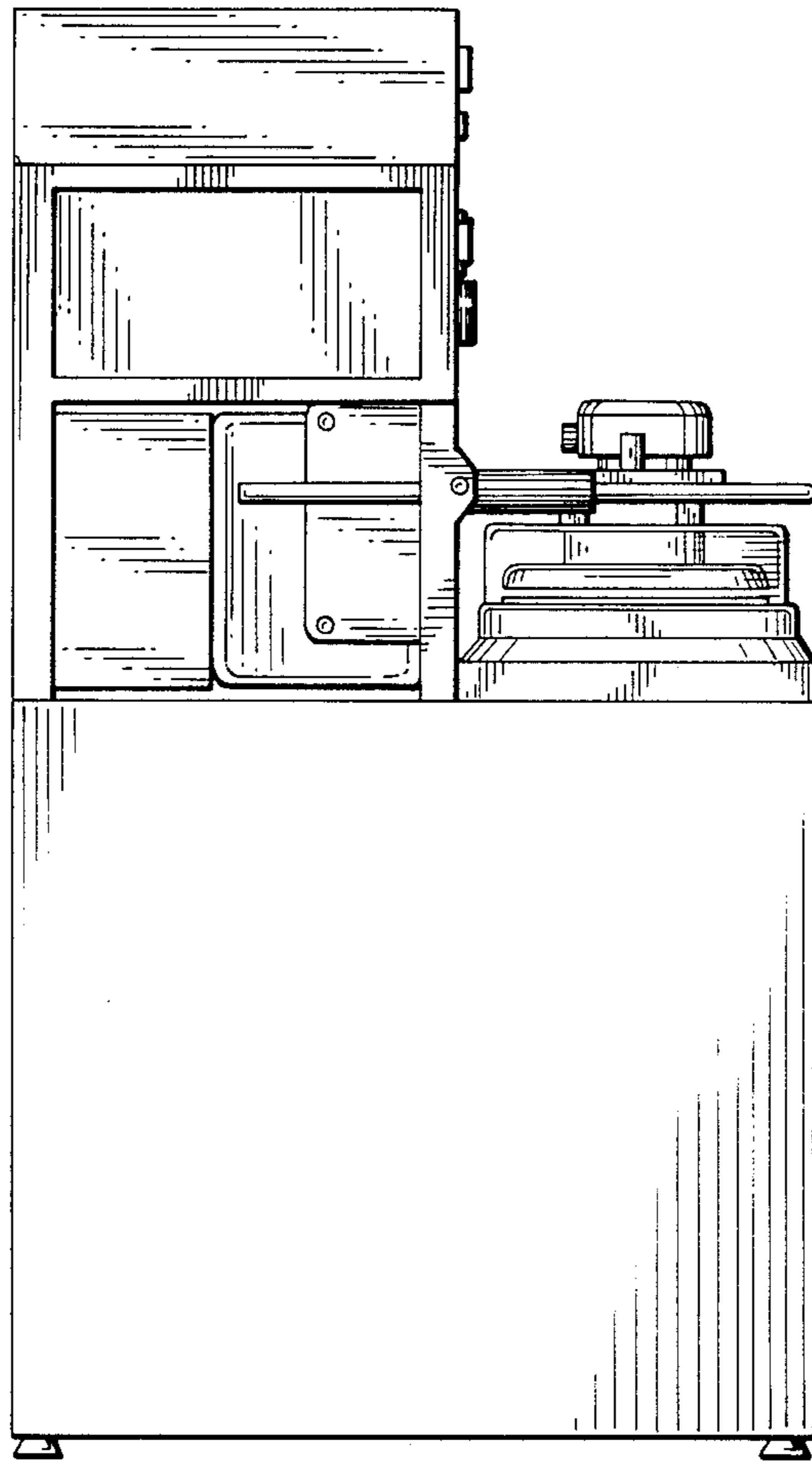


Fig. 2.

Fig. 3.

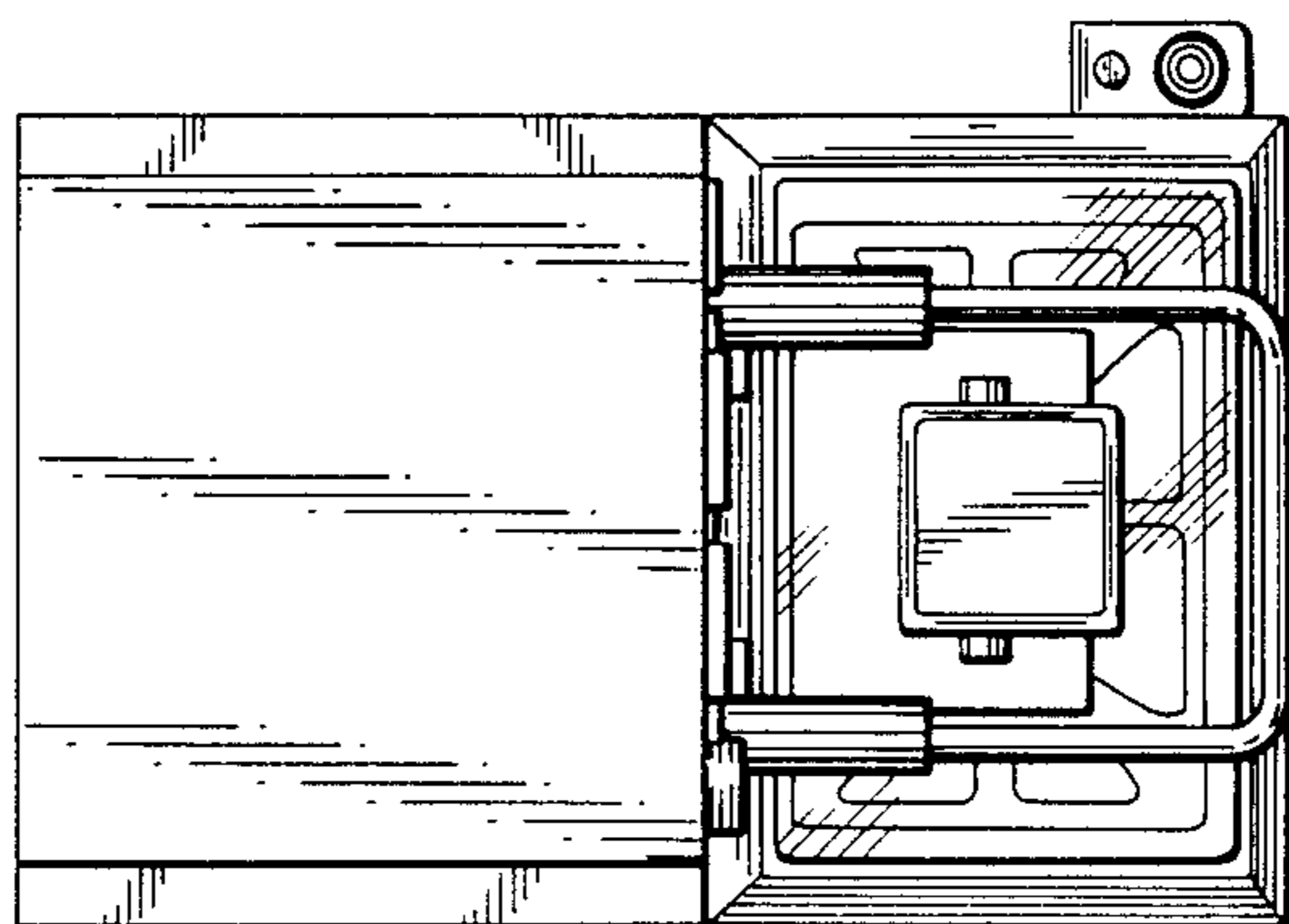
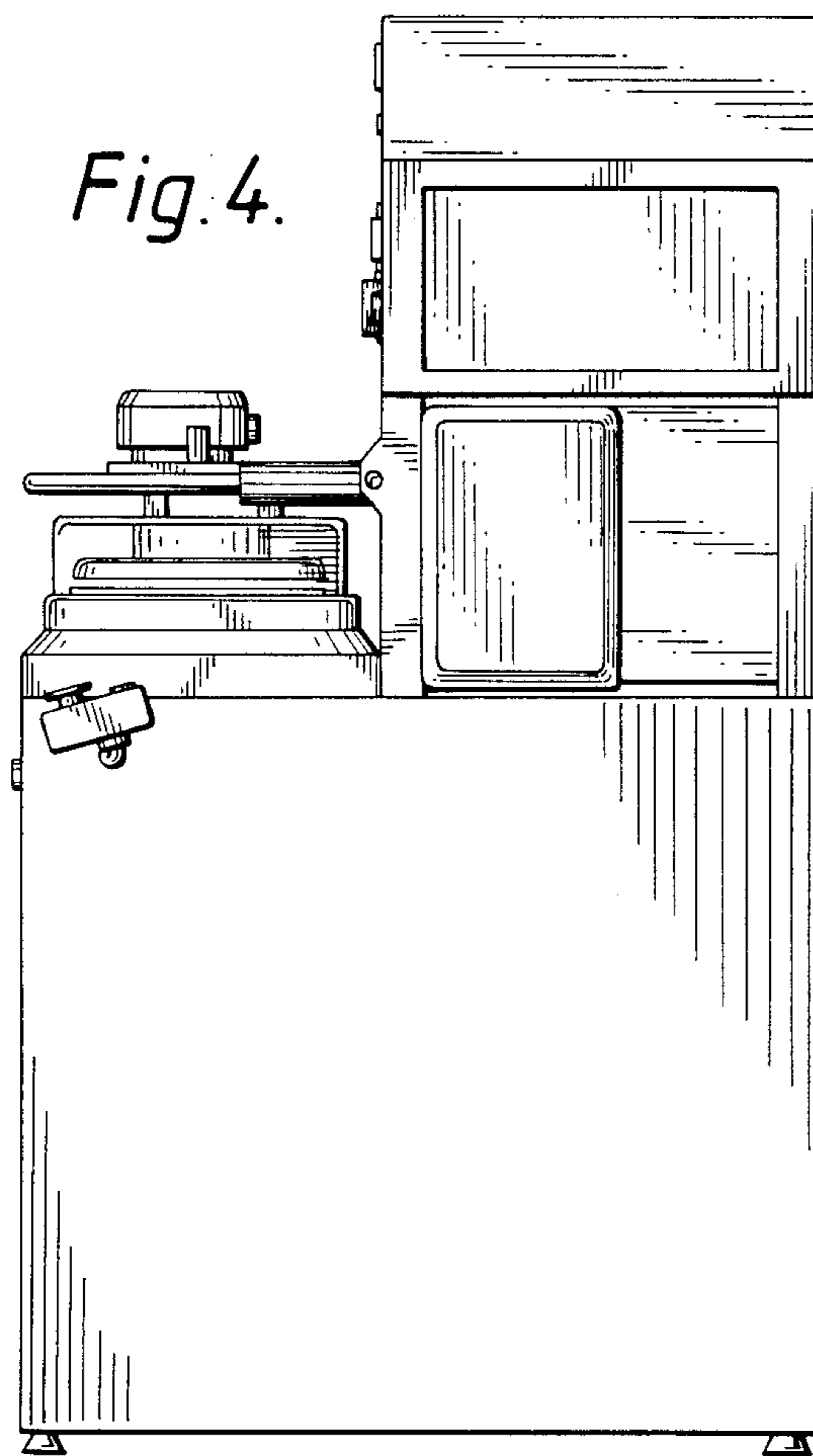


Fig. 4.



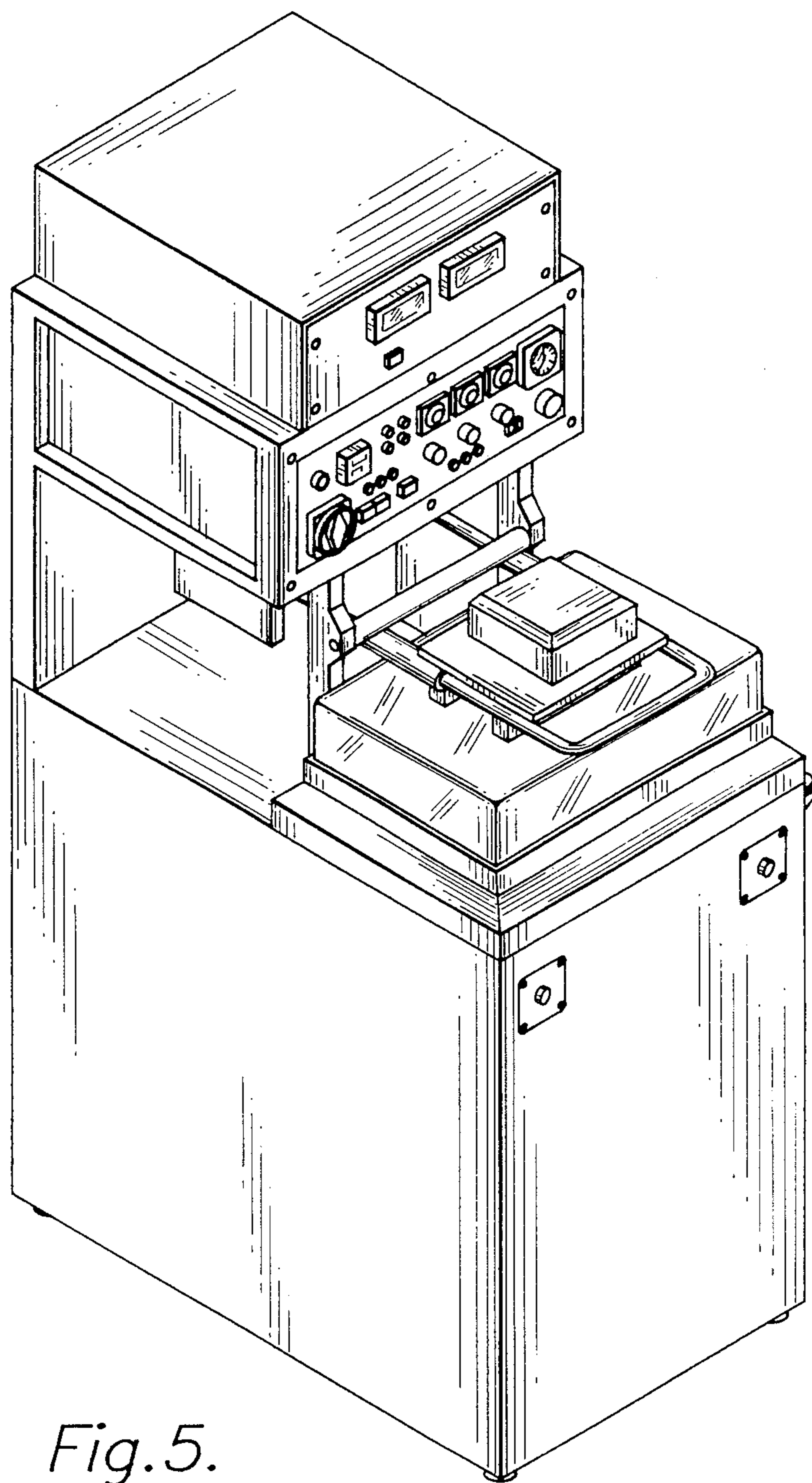


Fig. 5.