

[54] TELEPHONE NETWORK INTERFACE APPARATUS

[75] Inventors: Thomas J. Collins, Wall; Anthony L. Nieves, Bradley Beach, both of N.J.

[73] Assignee: Keptel, Inc., Tinton Falls, N.J.

[**] Term: 14 Years

[21] Appl. No.: 164,008

[22] Filed: Mar. 4, 1988

[52] U.S. Cl. D14/240

[58] Field of Search D14/240, 256; 379/437, 379/412, 399; D13/40, 41; 439/133, 142, 144

[56] References Cited

U.S. PATENT DOCUMENTS

D. 274,721	7/1984	Smith	D14/240
D. 282,654	2/1986	Perry et al.	D14/240
D. 300,923	5/1989	Collins et al.	D14/256
4,749,359	6/1988	White	379/437 X
4,800,588	1/1989	Poster, Jr.	D14/240 X

OTHER PUBLICATIONS

Keptel, SNI-2900, Network Interface System in an Ad Flyer, 2 Pages, ©1987, Keptel Inc.

Primary Examiner—Horace B. Fay, Jr.
Attorney, Agent, or Firm—R. Gale Rhodes, Jr.

[57] CLAIM

The ornamental design for a telephone network interface apparatus, as shown and described.

DESCRIPTION

FIG. 1 is a front elevational view of a telephone network interface apparatus showing our new design in closed position;

FIGS. 2 and 3 are respectively right and left side elevational view thereof;

FIG. 4 is a rear elevational view thereof;

FIGS. 5 and 6 are respectively bottom and top plan views thereof;

FIG. 7 is a front and top and right side perspective view thereof, with the subscriber cover padlocked;

FIG. 8 is a front and right side perspective view thereof with the subscriber cover in opened position; and

FIG. 9 is a front and right side perspective view thereof with the padlocked subscriber cover in opened position when the padlocked cover is overridden by telephone company personnel.

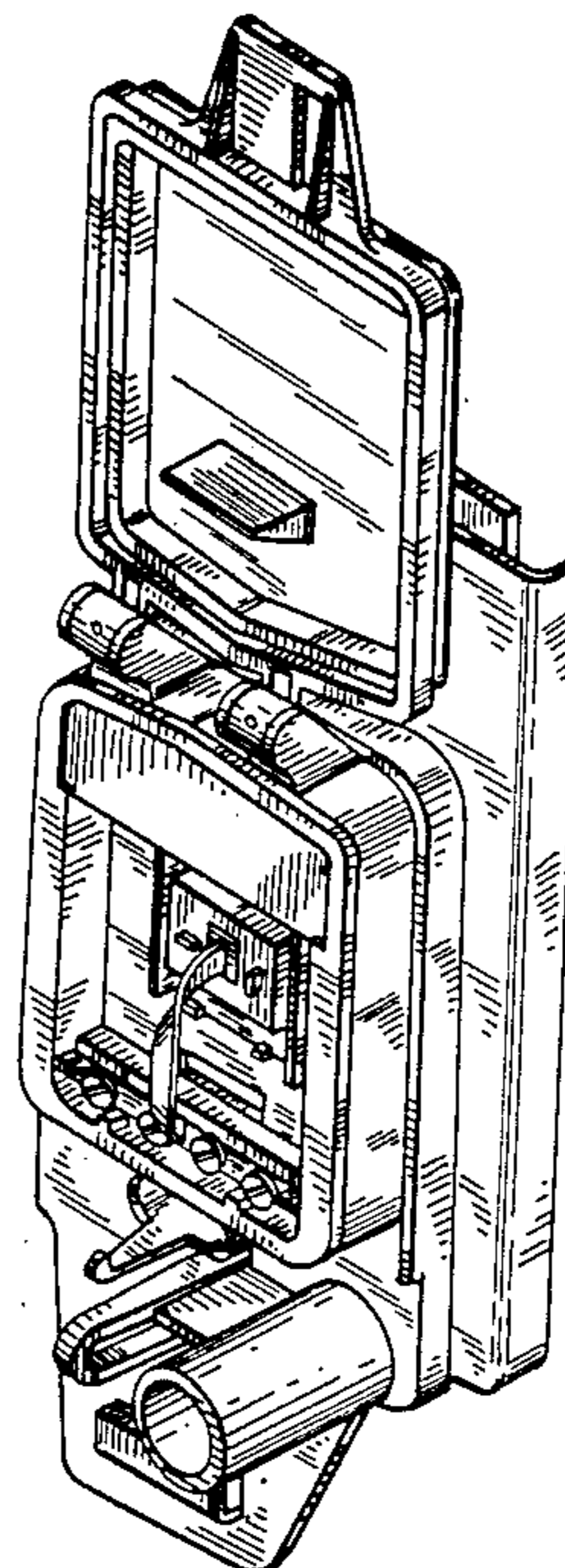
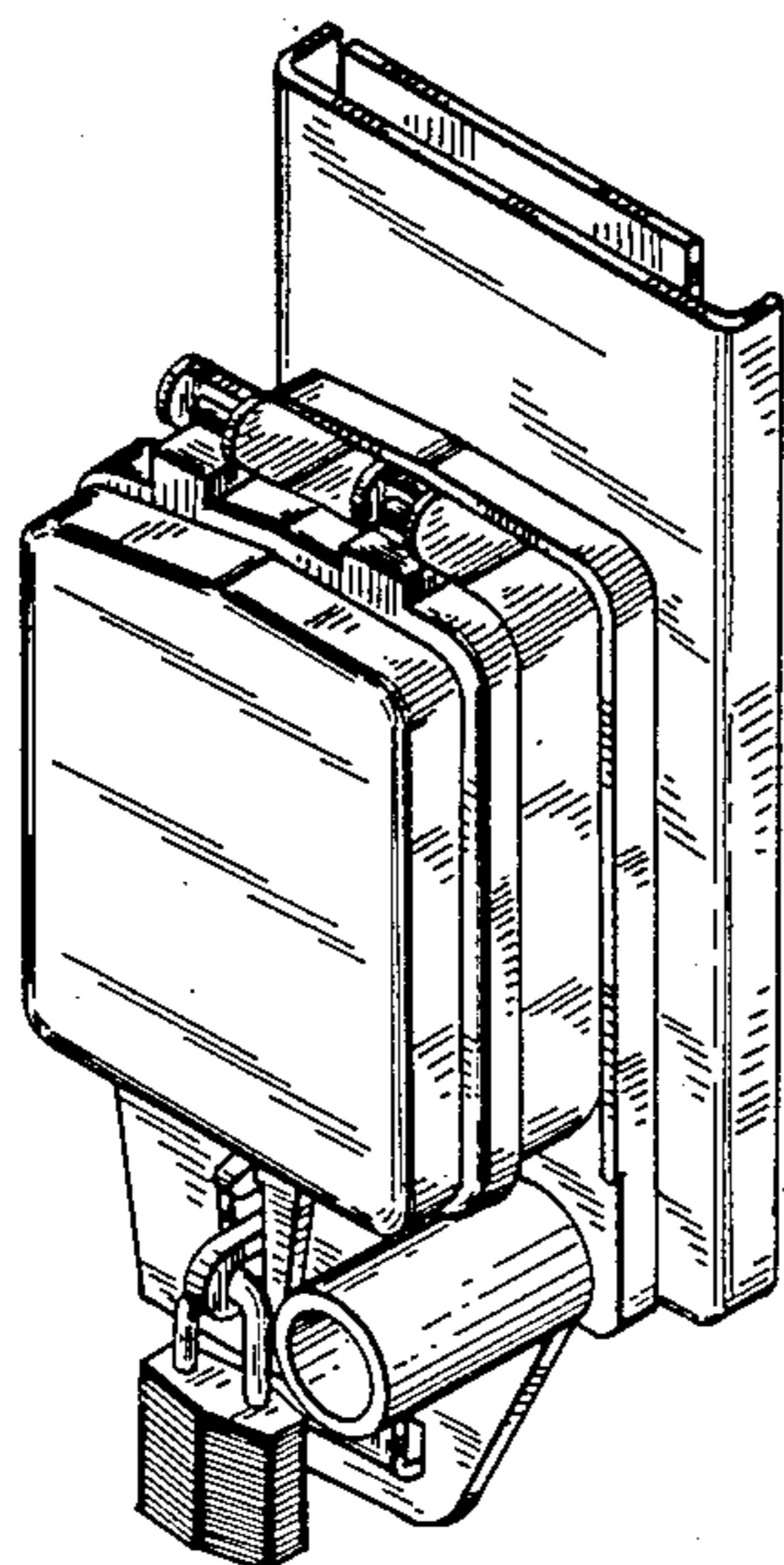


FIG. 1

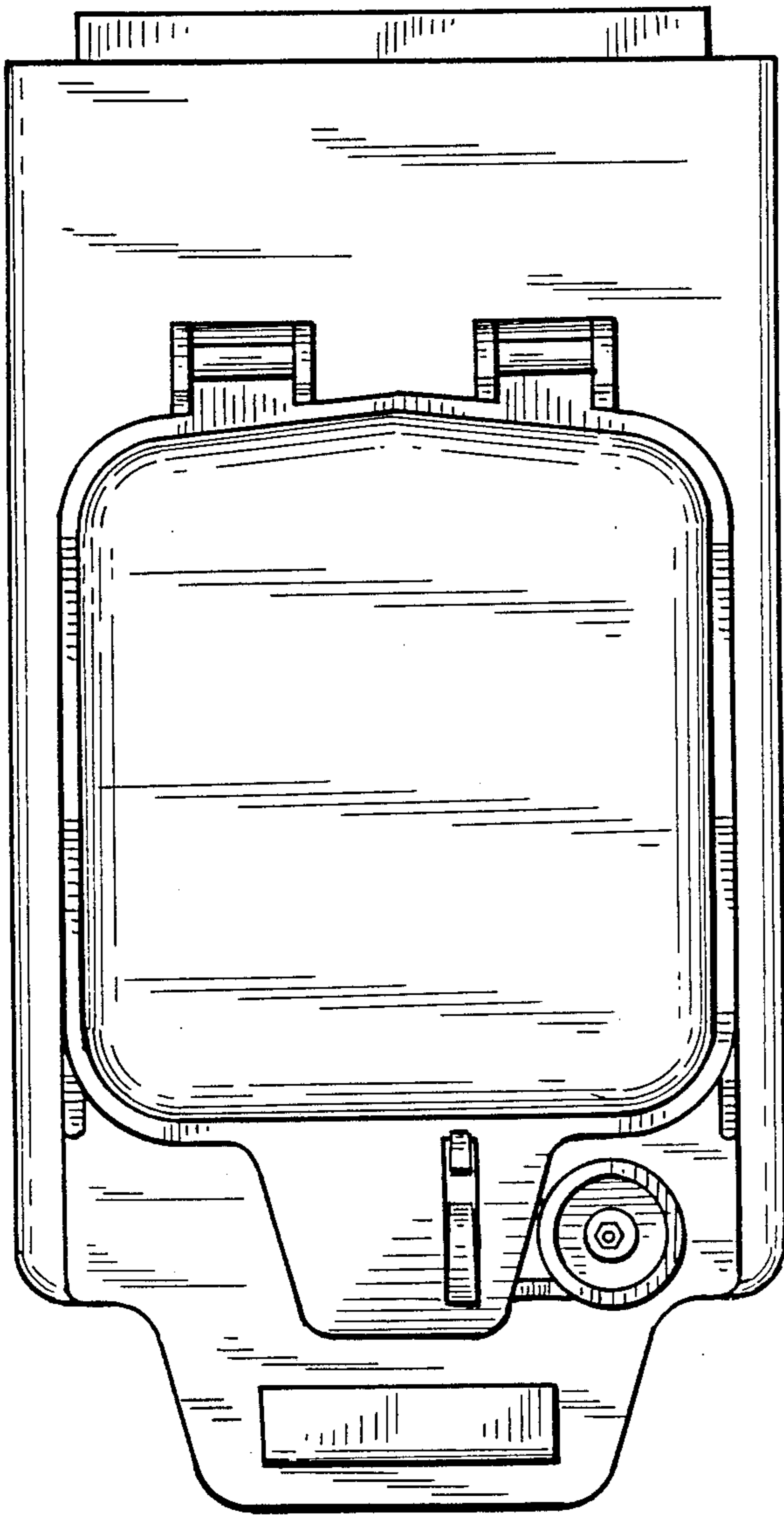


FIG. 2

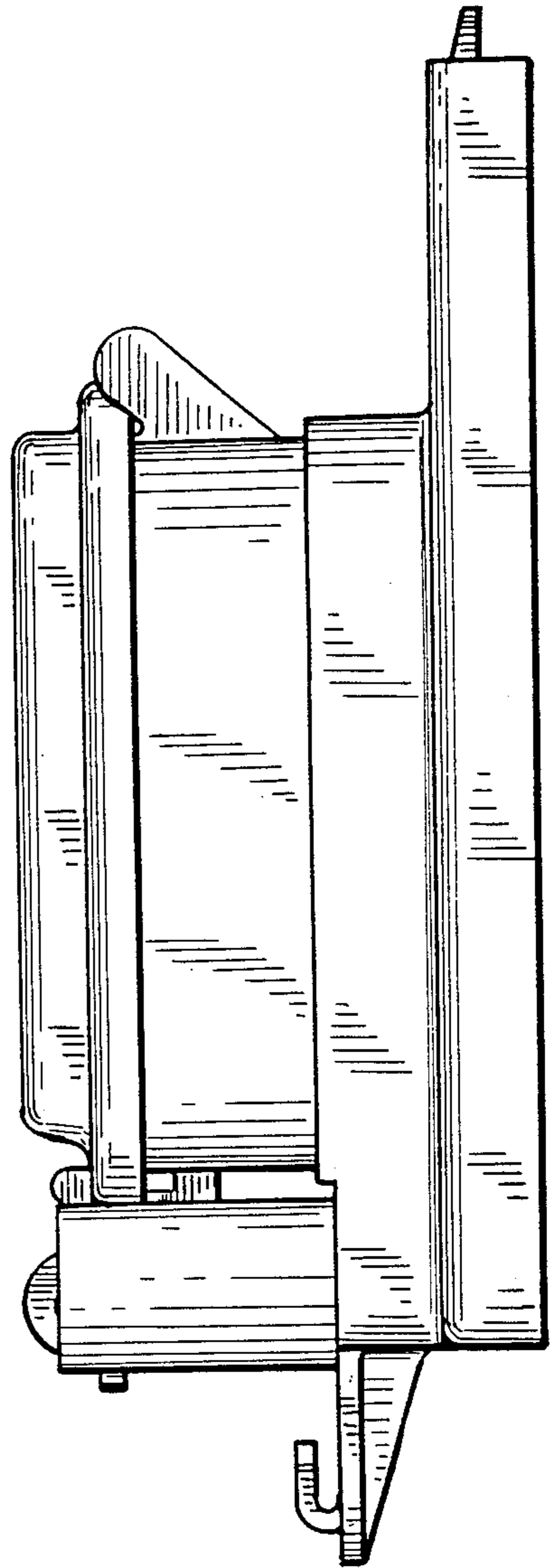


FIG. 3

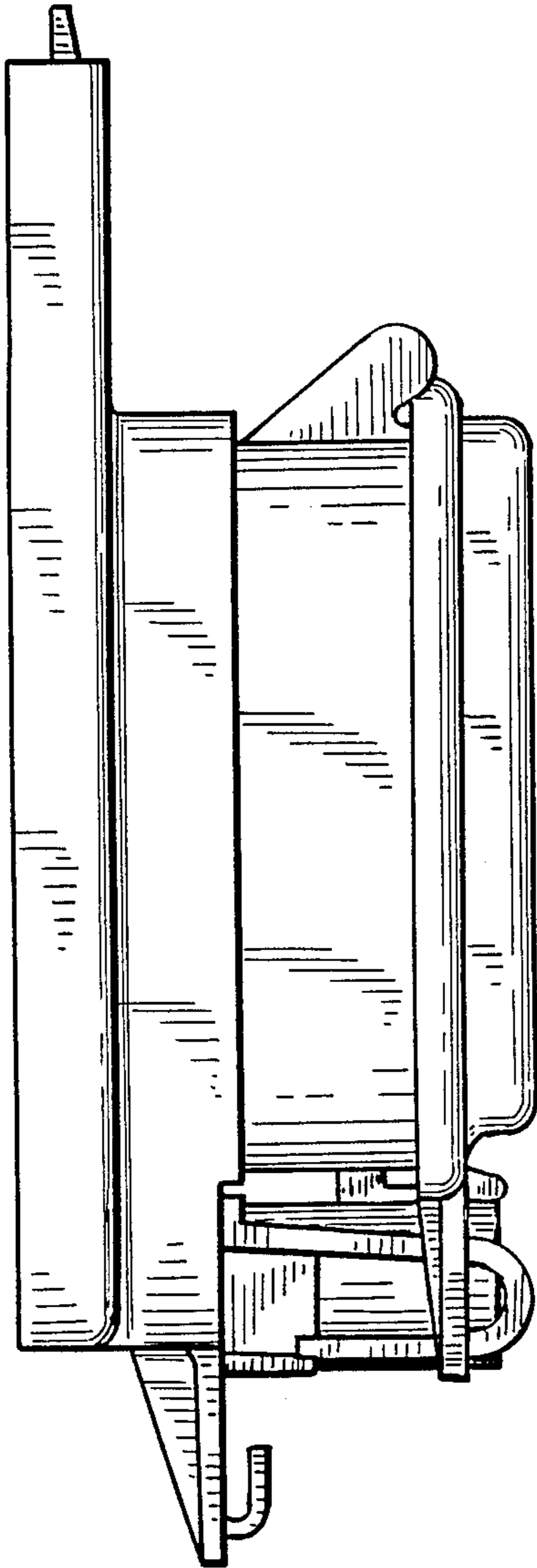


FIG. 4

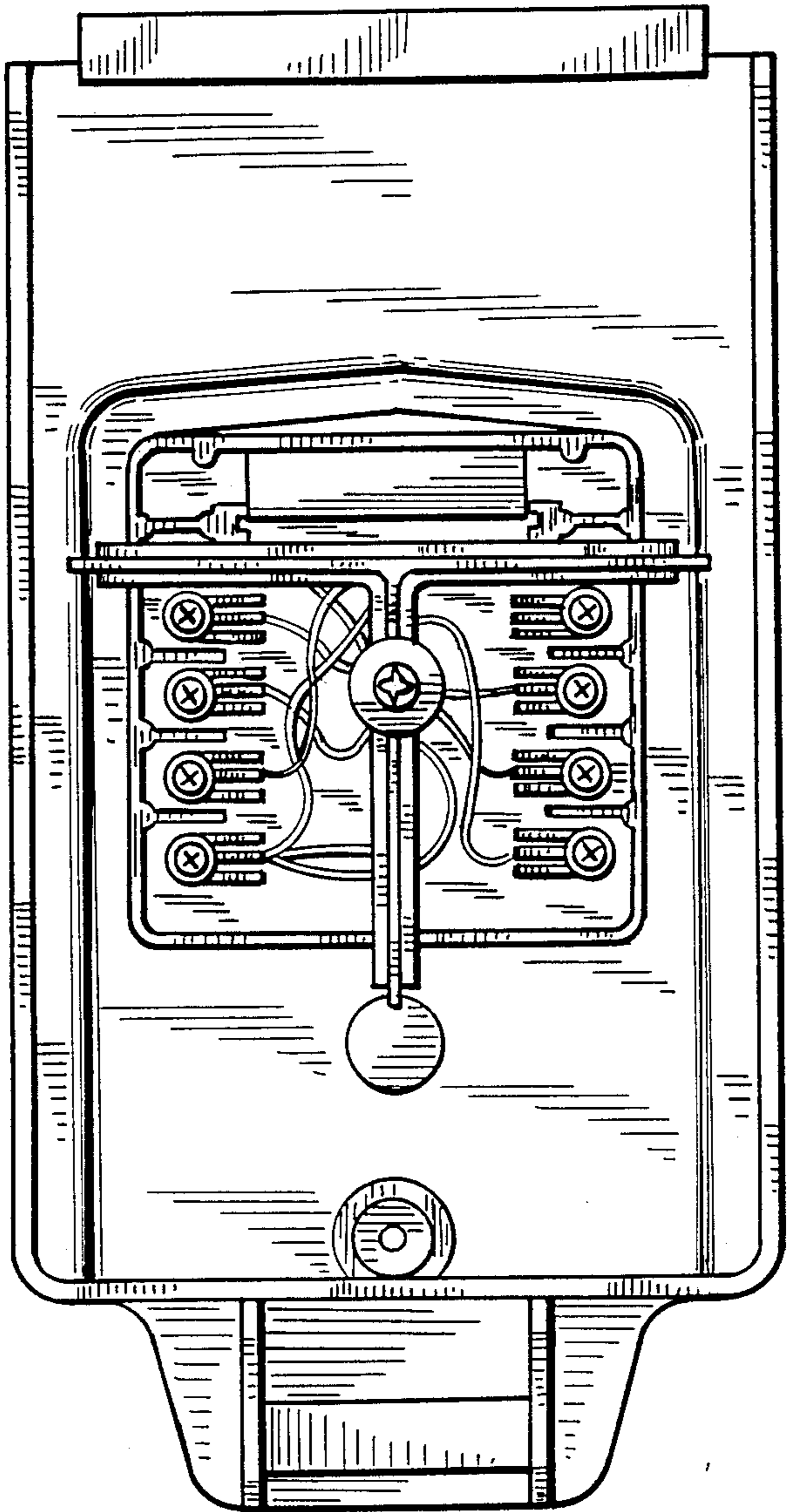


FIG. 5

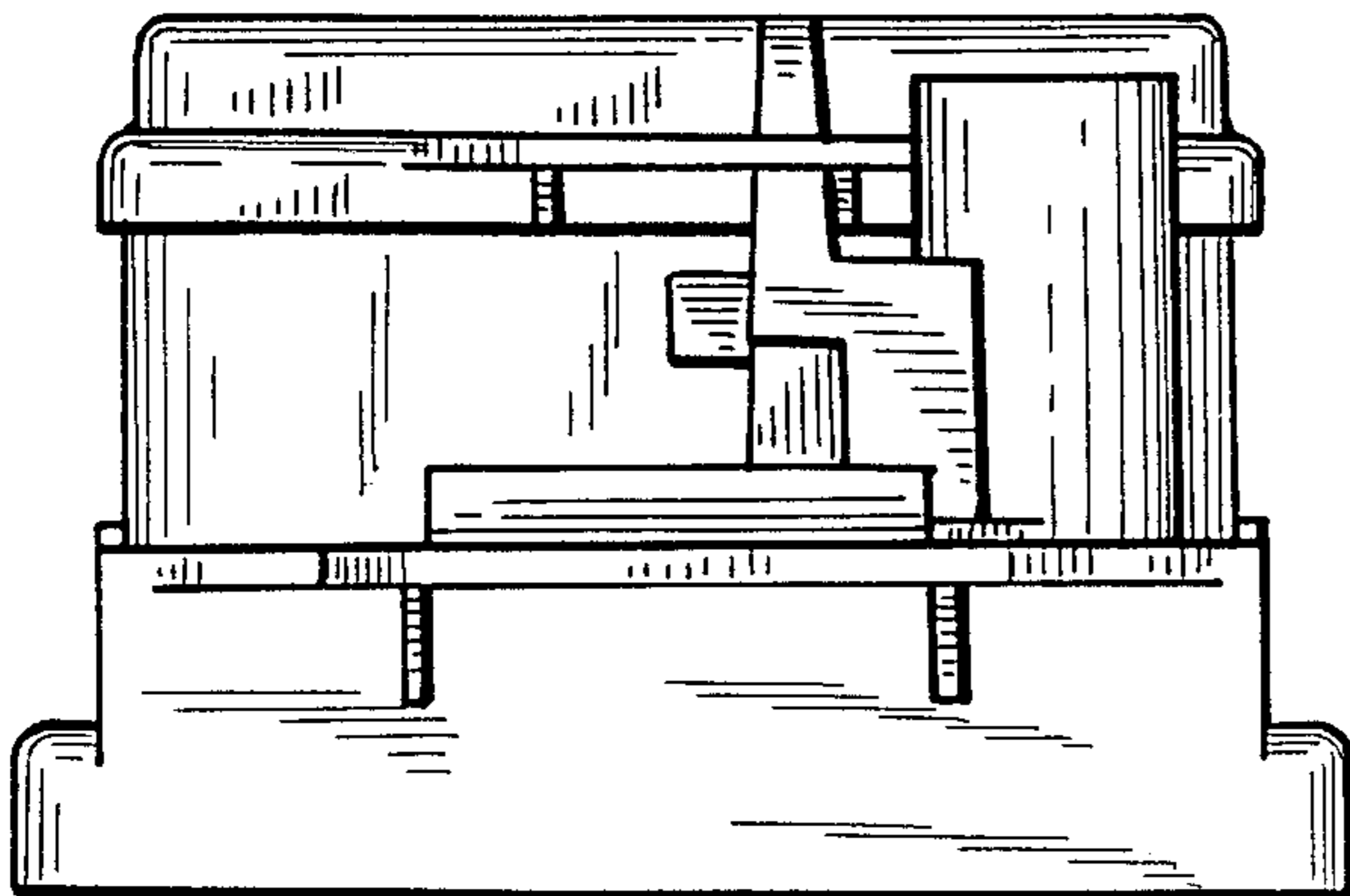


FIG. 6

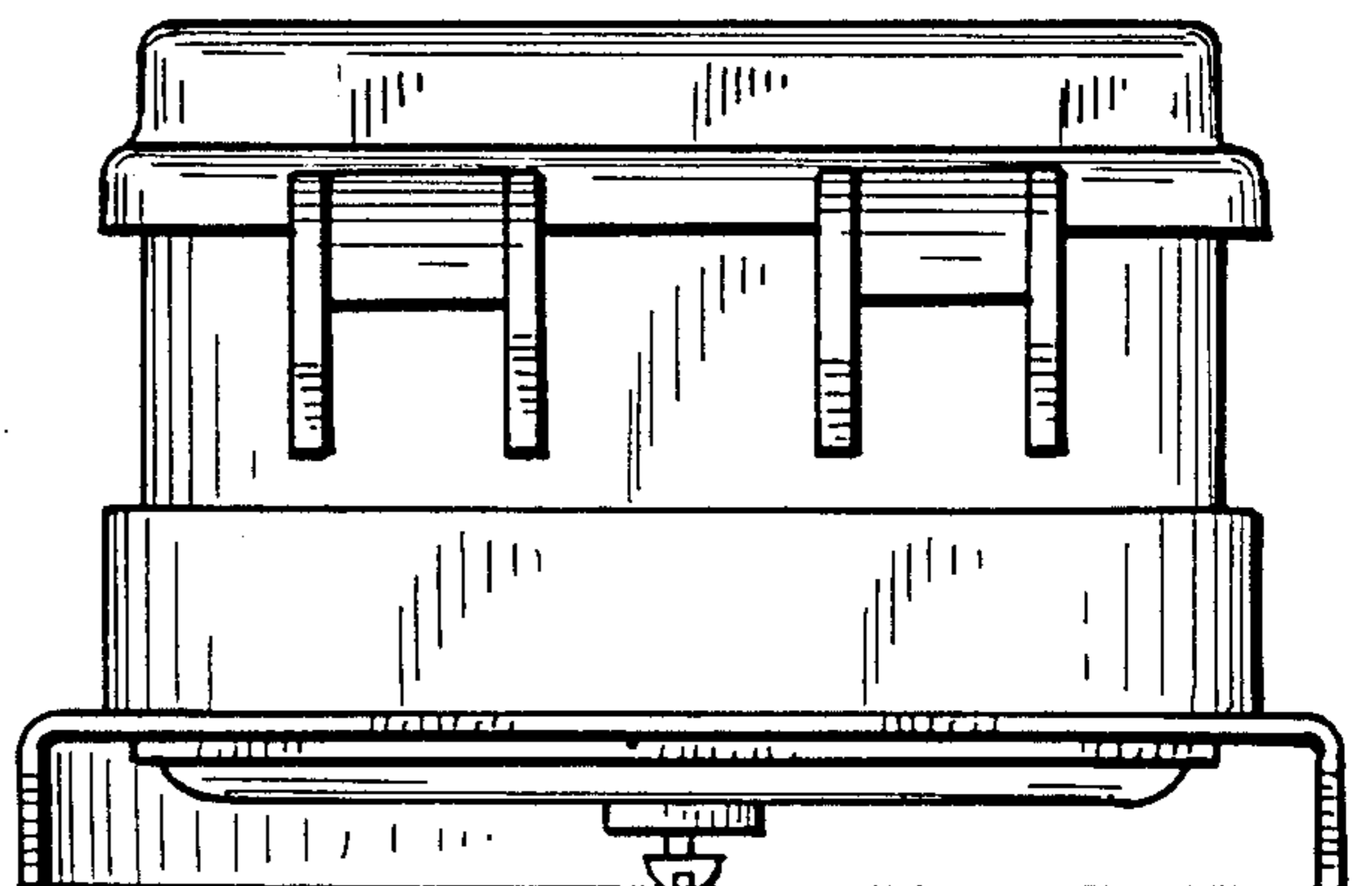


FIG. 7

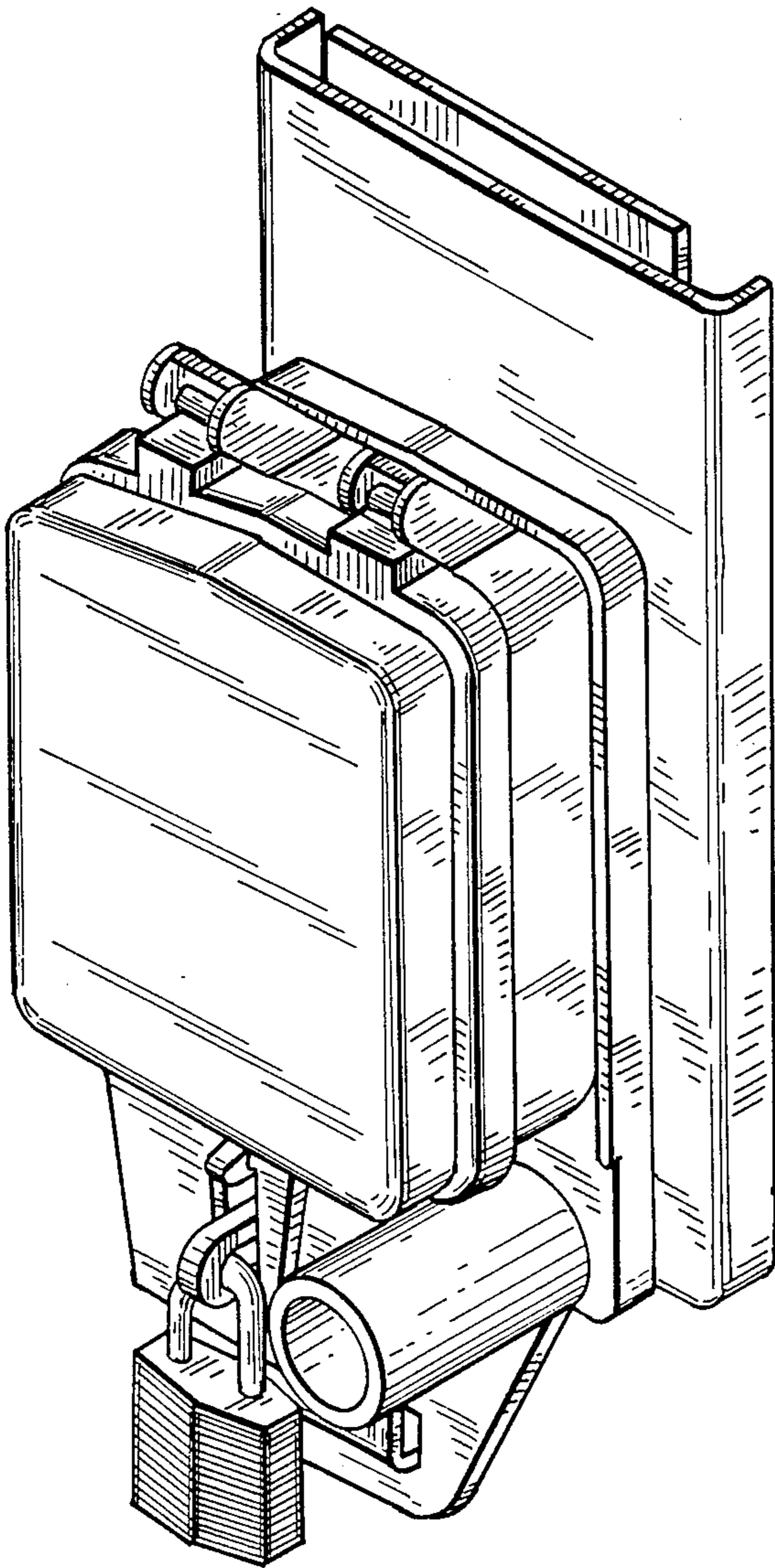


FIG. 9

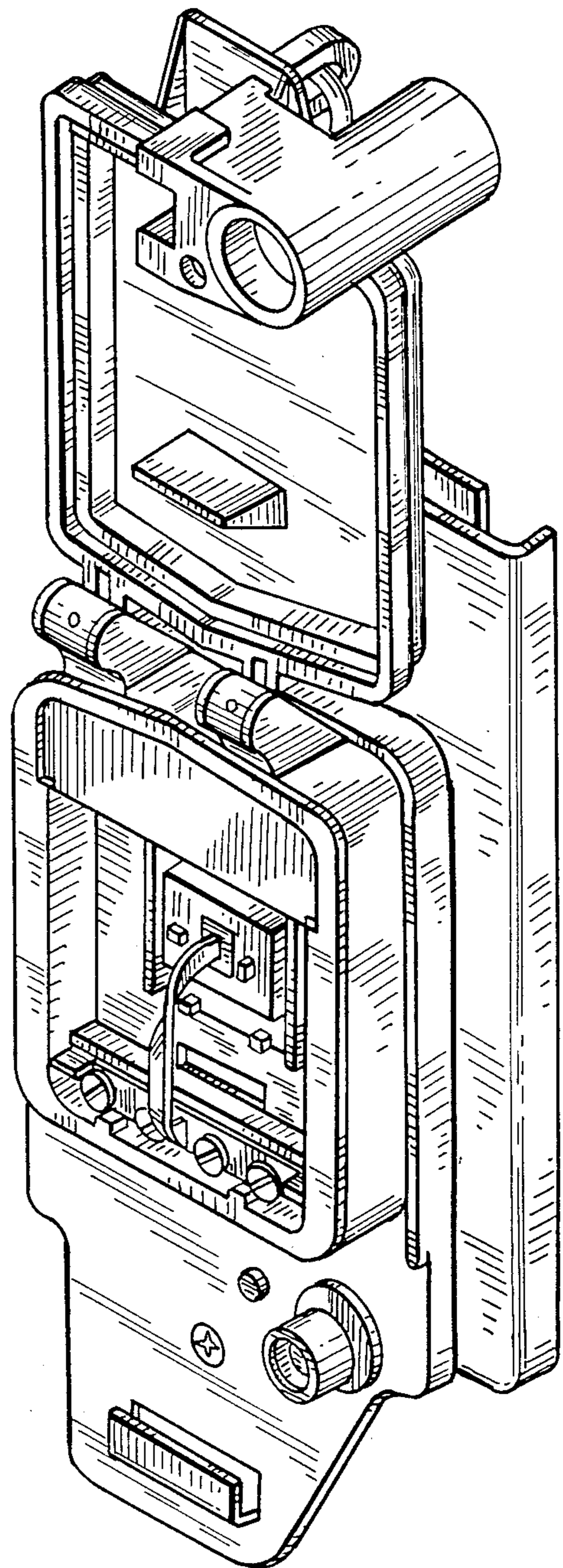


FIG. 8

