

[54] PLUG MOUNT

[76] Inventors: John J. Lazzeroni; Melinda K. Lazzeroni, both of 7322 E. Stella Rd., Tucson, Ariz. 85730

[\*\*] Term: 14 Years

[21] Appl. No.: 65,704

[22] Filed: Jun. 24, 1987

[52] U.S. Cl. .... D13/154; D14/229

[58] Field of Search ..... D13/24; 439/37, 527; 2/422, 414, 442; 381/187; D14/229; D24/35; D8/72

[56] References Cited

U.S. PATENT DOCUMENTS

D. 213,803 4/1969 Thomas et al. .... D8/72  
3,258,534 6/1966 Goldsworthy ..... 2/422 X

3,856,977 6/1971 Lustig et al. .... 325/16  
3,916,312 10/1975 Campbell ..... 325/16  
3,990,757 11/1976 Gill ..... 439/37  
4,022,466 5/1977 Kaiser ..... 2/442 X  
4,729,132 5/1988 Fierro ..... 2/414

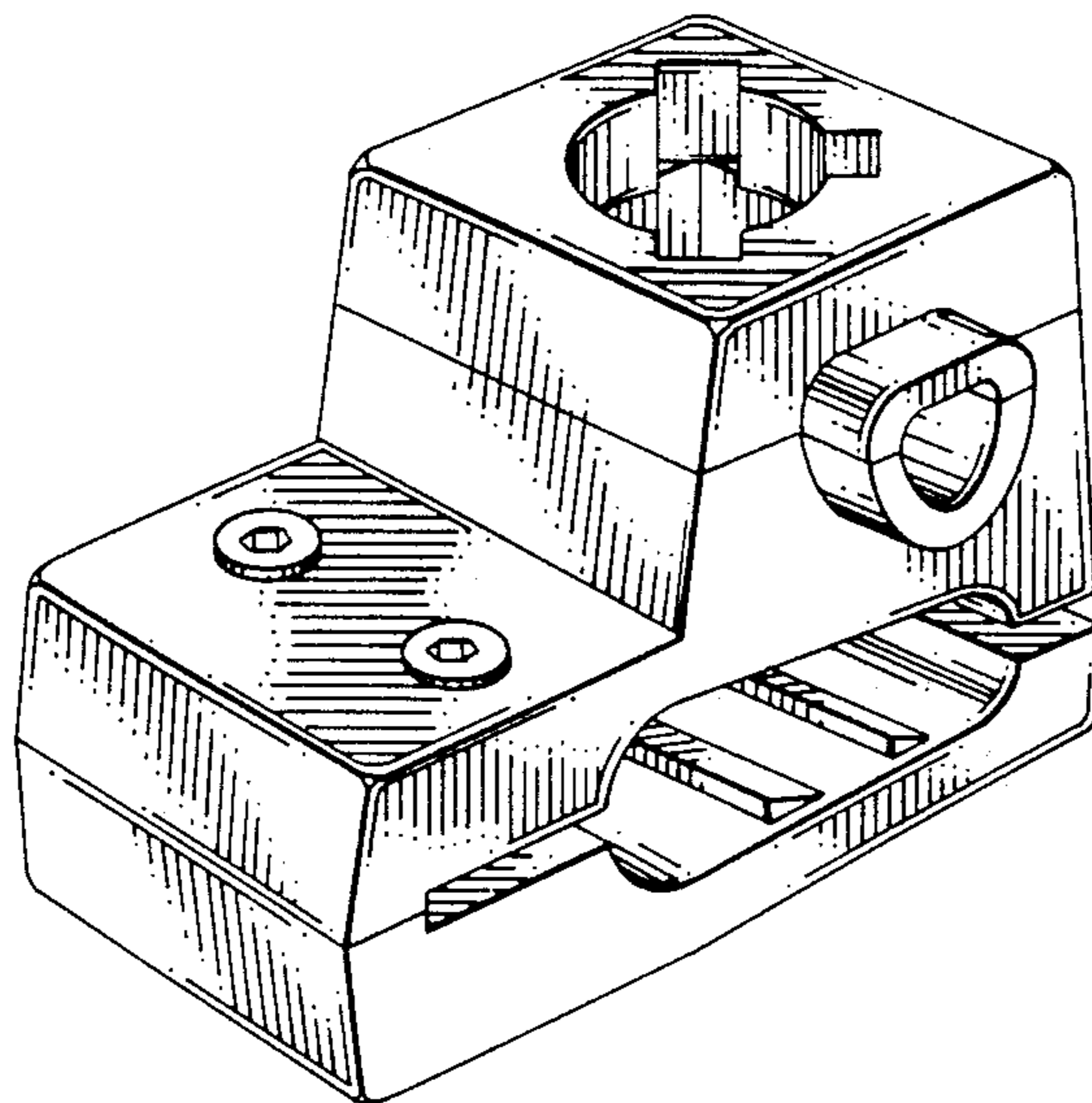
Primary Examiner—Wallace R. Burke  
Assistant Examiner—Joel Sincavage  
Attorney, Agent, or Firm—J. Michael McClanahan

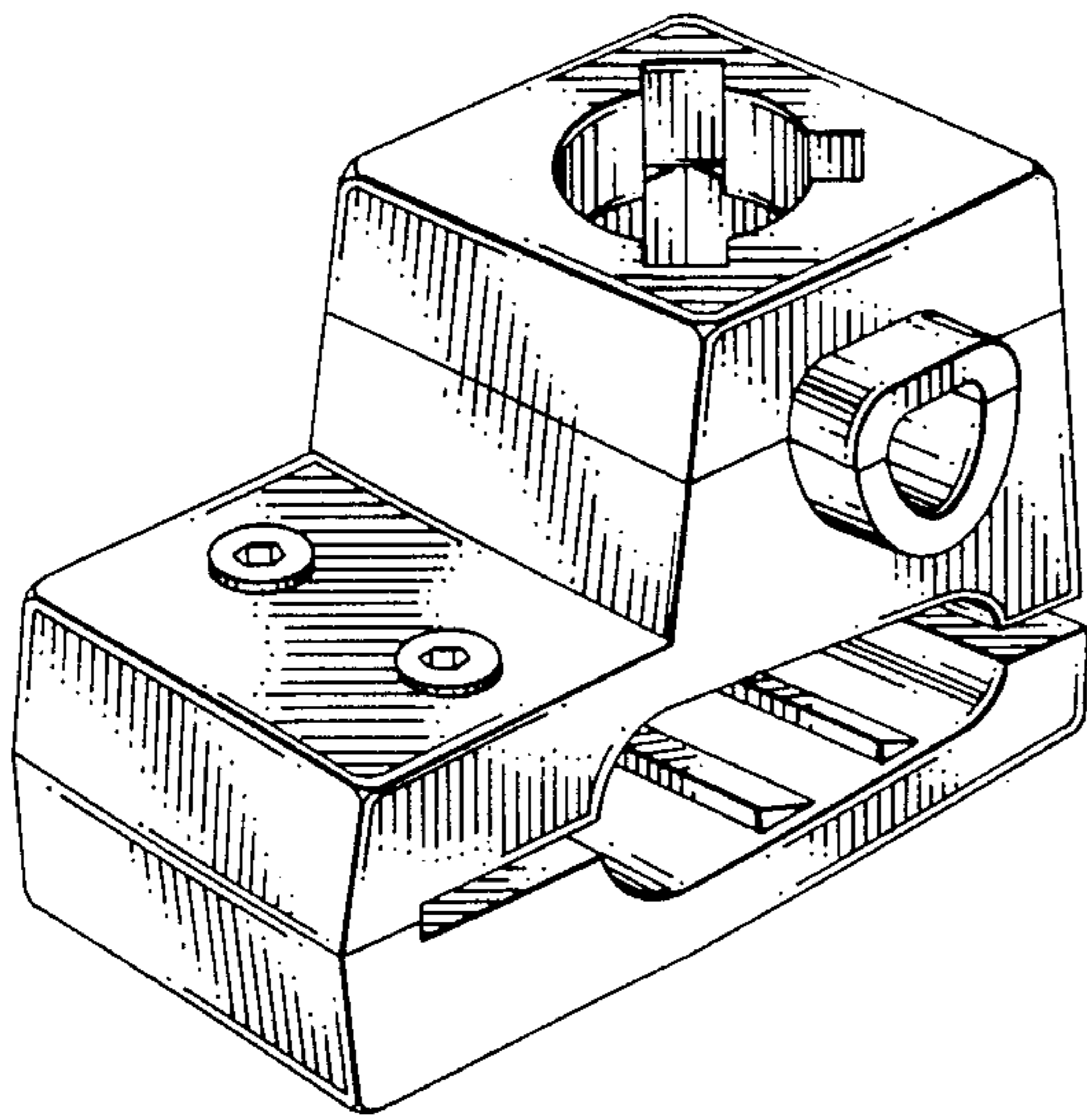
[57] CLAIM

The ornamental design for a plug mount, as shown.

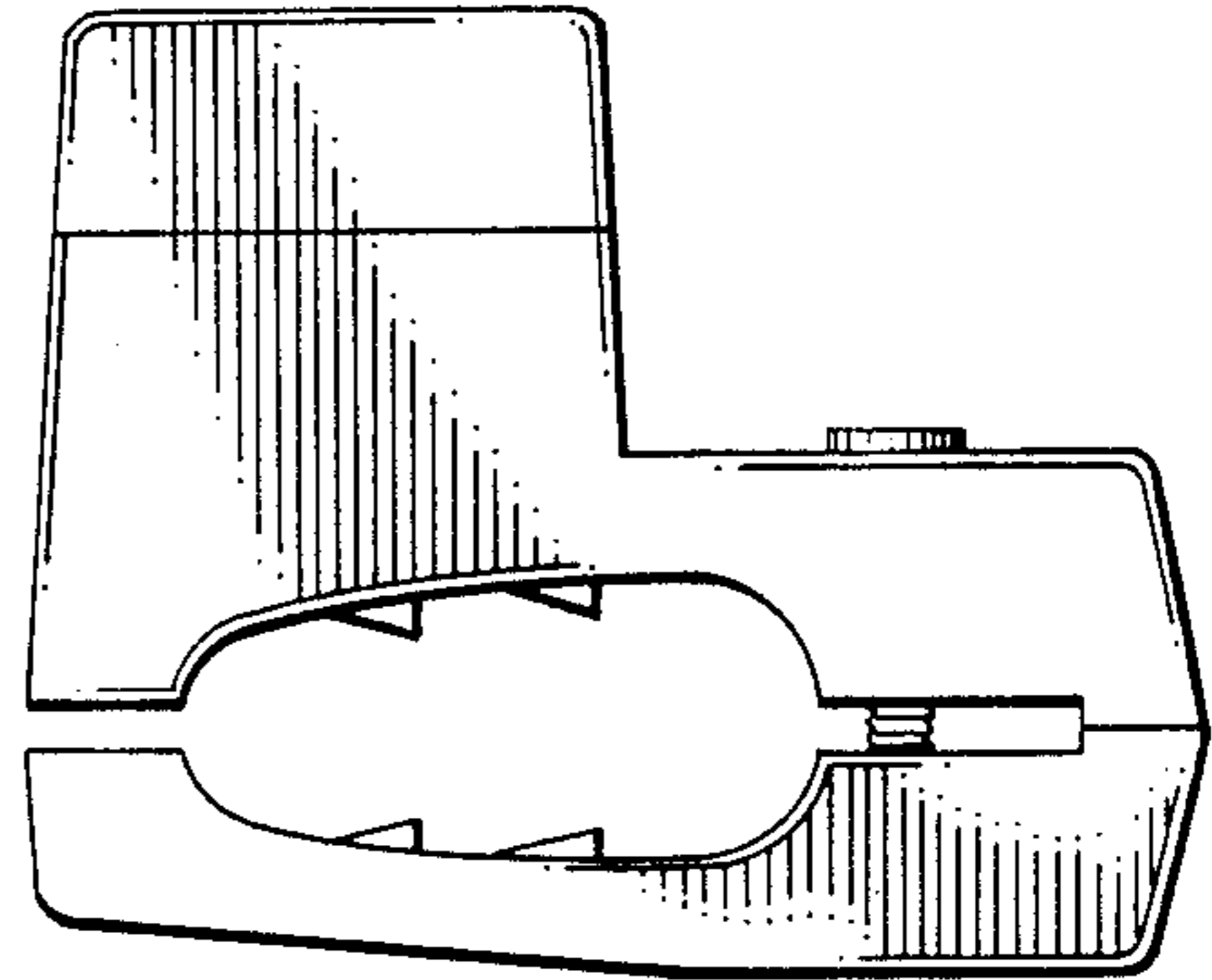
DESCRIPTION

FIG. 1 is a perspective view of a plug mount showing our new design;  
FIG. 2 is a front elevational view thereof;  
FIG. 3 is a top plan view thereof;  
FIG. 4 is a bottom plan view thereof;  
FIG. 5 is a right end elevational view thereof;  
FIG. 6 is a left end elevational view thereof.

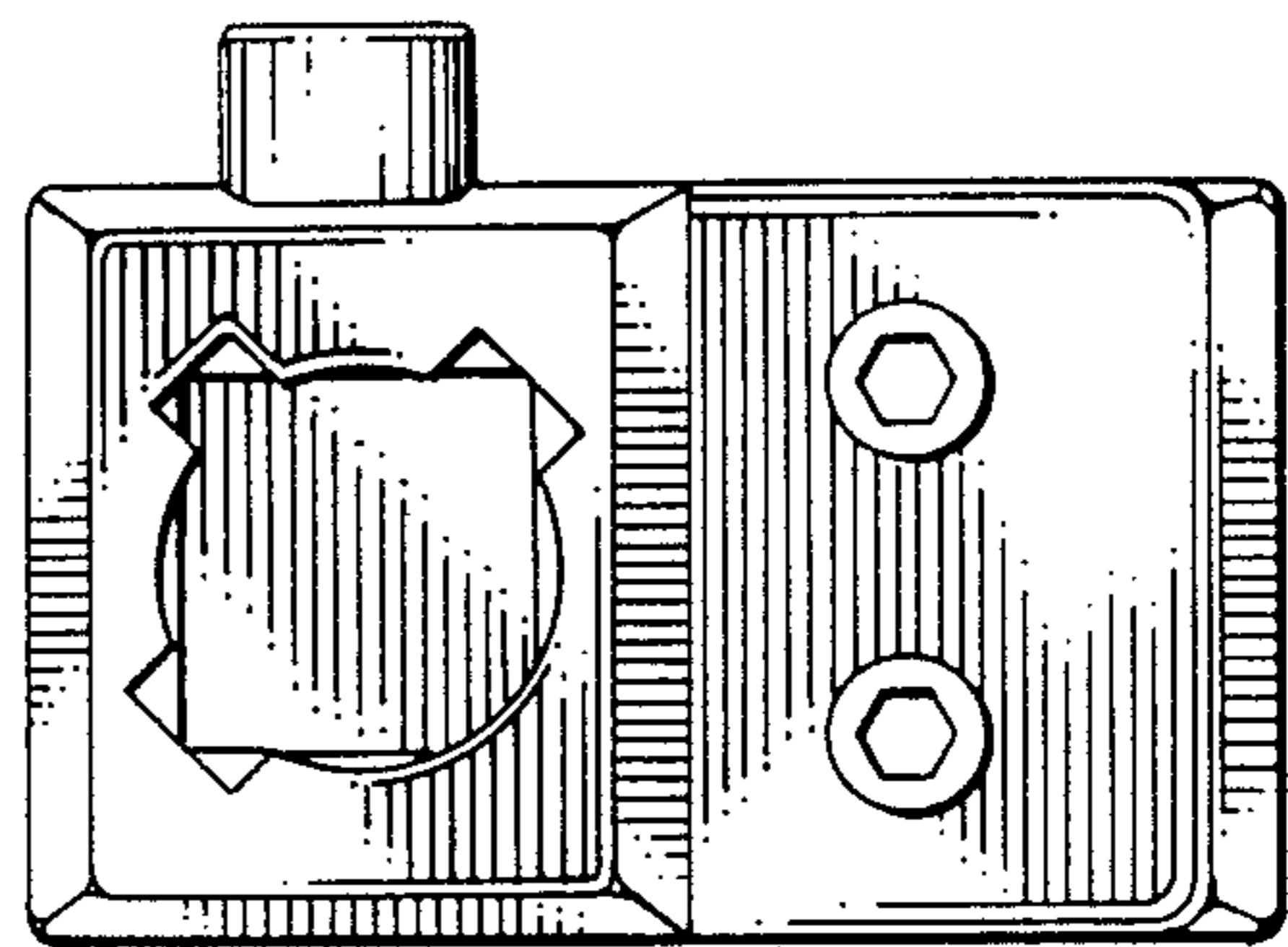




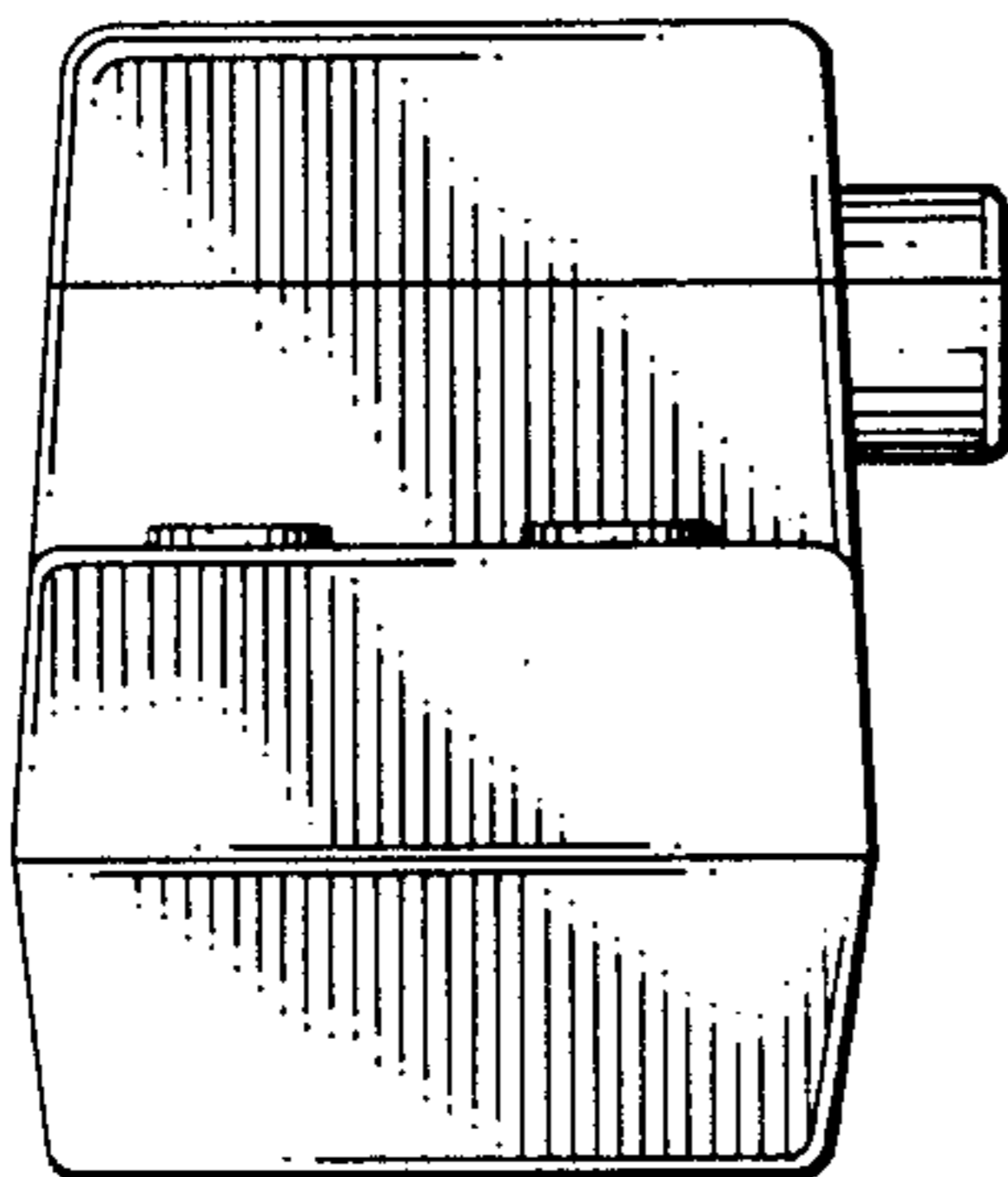
*FIG. 1*



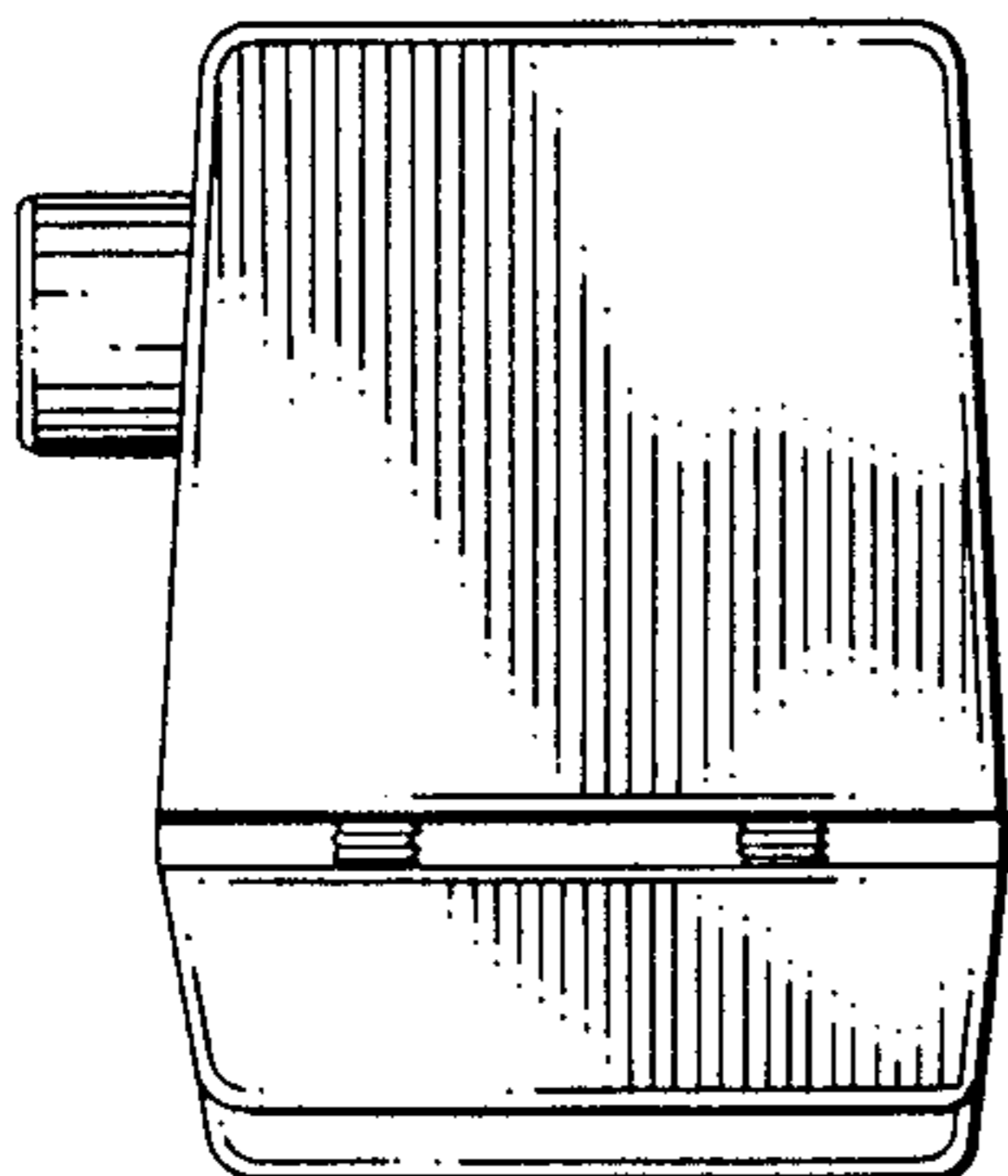
*FIG. 2*



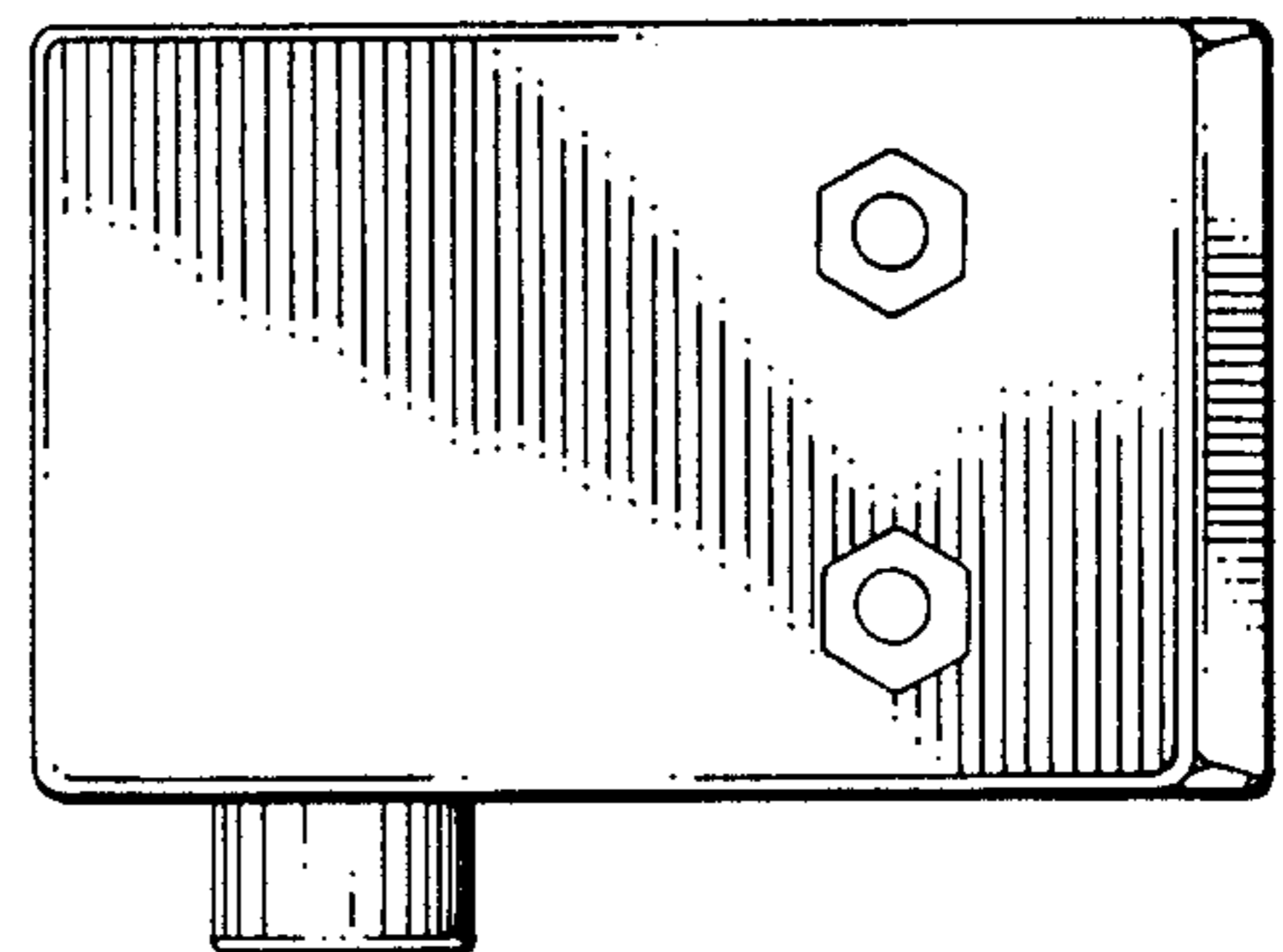
*FIG. 3*



*FIG. 5*



*FIG. 6*



*FIG. 4*