

[54] **ELECTRICAL CONNECTOR OR SIMILAR ARTICLE**

[75] **Inventor: George Y. Huang, Huntington Beach, Calif.**

[73] **Assignee: Turn-Luckily International, Inc., Huntington Beach, Calif.**

[**] **Term: 14 Years**

[21] **Appl. No.: 209,786**

[22] **Filed: Jun. 22, 1988**

[52] **U.S. Cl. D13/147**

[58] **Field of Search D13/133, 137, 138, 139, D13/141, 142, 143, 144, 145, 146, 147; 439/550, 607, 586, 595, 603, 682, 685, 638, 904, 906, 359**

[56] **References Cited**

U.S. PATENT DOCUMENTS

4,456,319 6/1984 Poulain-Ricos 439/359
4,611,875 9/1986 Clarke et al. 439/638

OTHER PUBLICATIONS

Burndy Co., Booklet, 11/1986, pp. 17-22, Type RSD D-Subminiature Connectors.

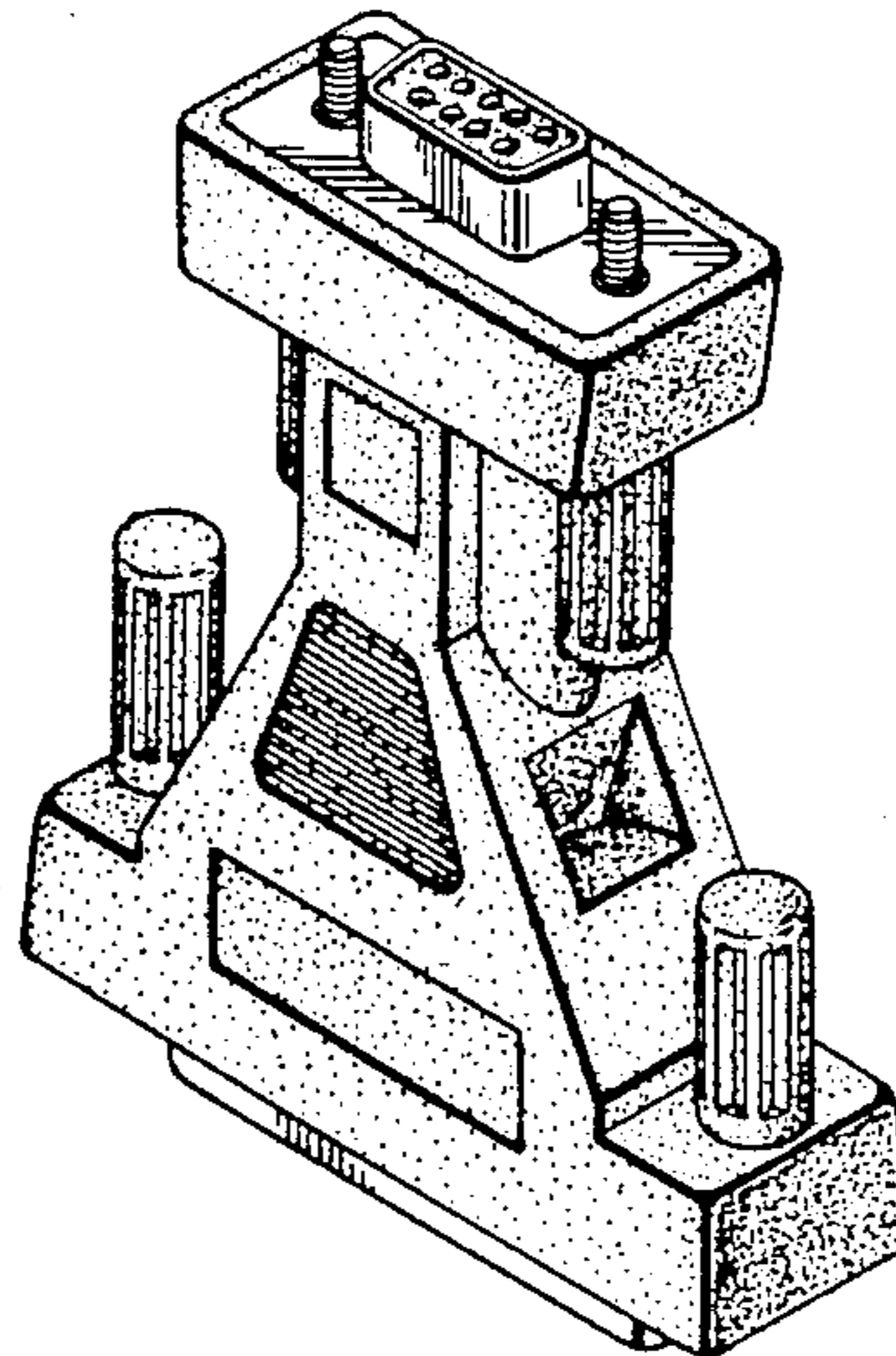
Primary Examiner—Susan J. Lucas
Assistant Examiner—Melody Brown
Attorney, Agent, or Firm—Saidman, Sterne, Kessler & Goldstein

[57] **CLAIM**

The ornamental design for an electrical connector or similar article, as shown and described.

DESCRIPTION

FIG. 1 is a front elevational view of an electrical connector or similar article showing my new design; FIG. 2 is a rear elevational view thereof; FIG. 3 is a left side elevation view thereof; FIG. 4 is a right side elevation view thereof; FIG. 5 is a top plan view thereof; FIG. 6 is a bottom plan view thereof; and FIG. 7 is a perspective view thereof.



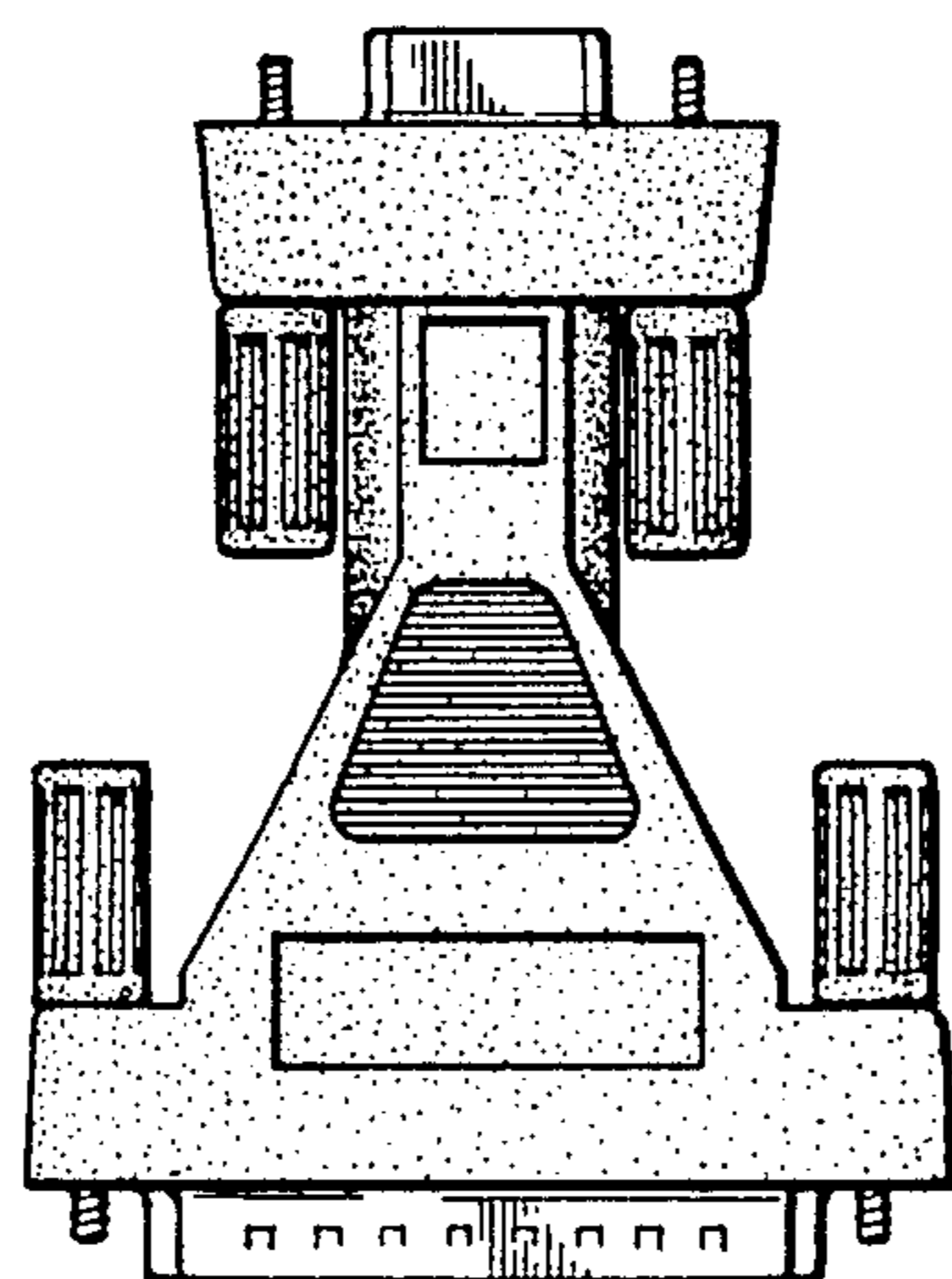


FIG. 1

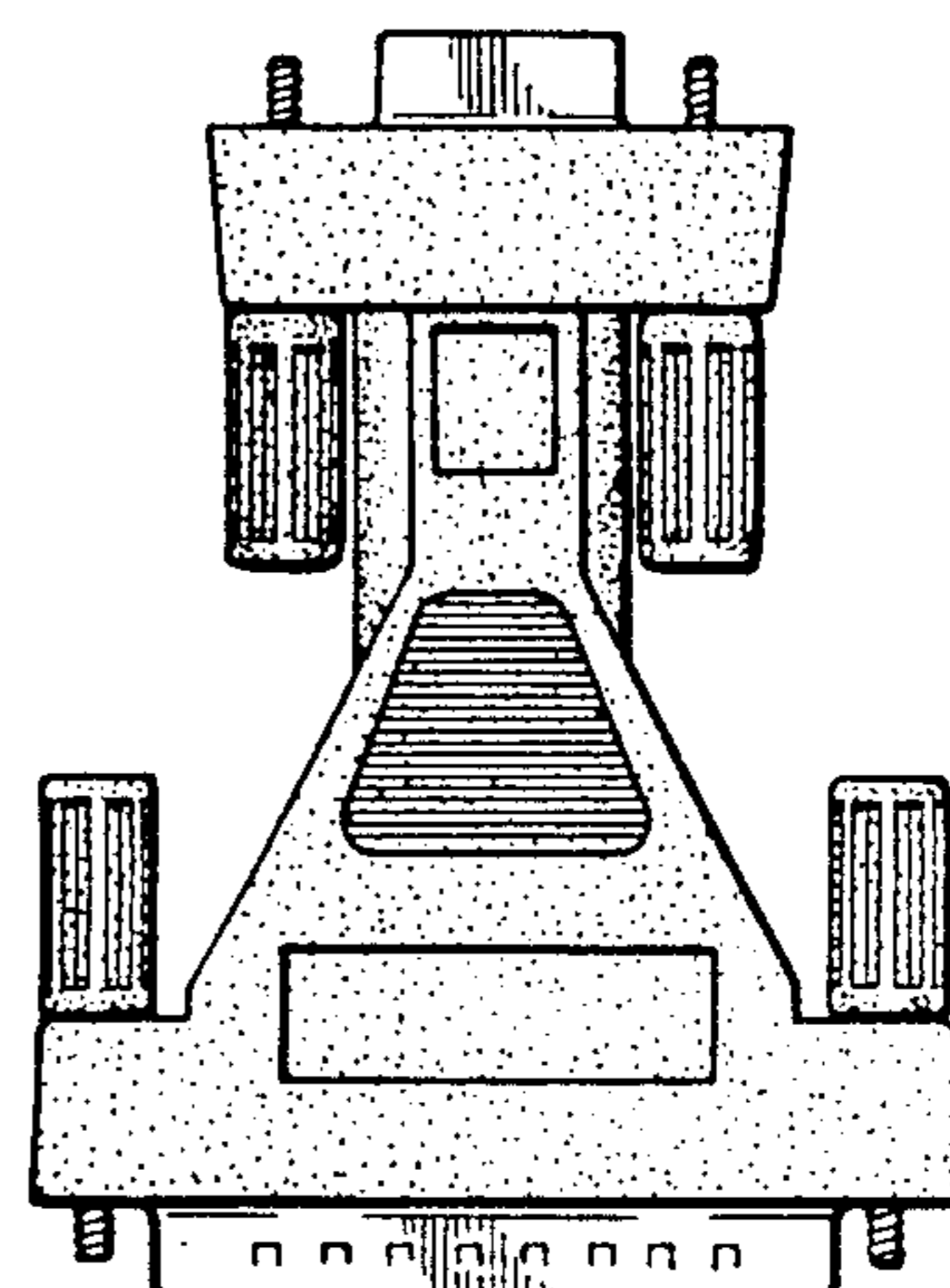


FIG. 2

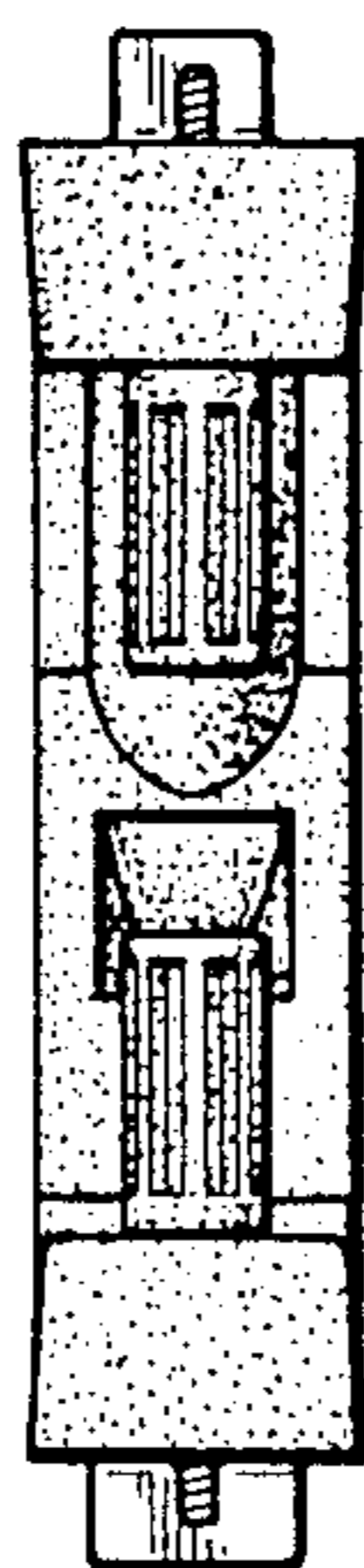


FIG. 3

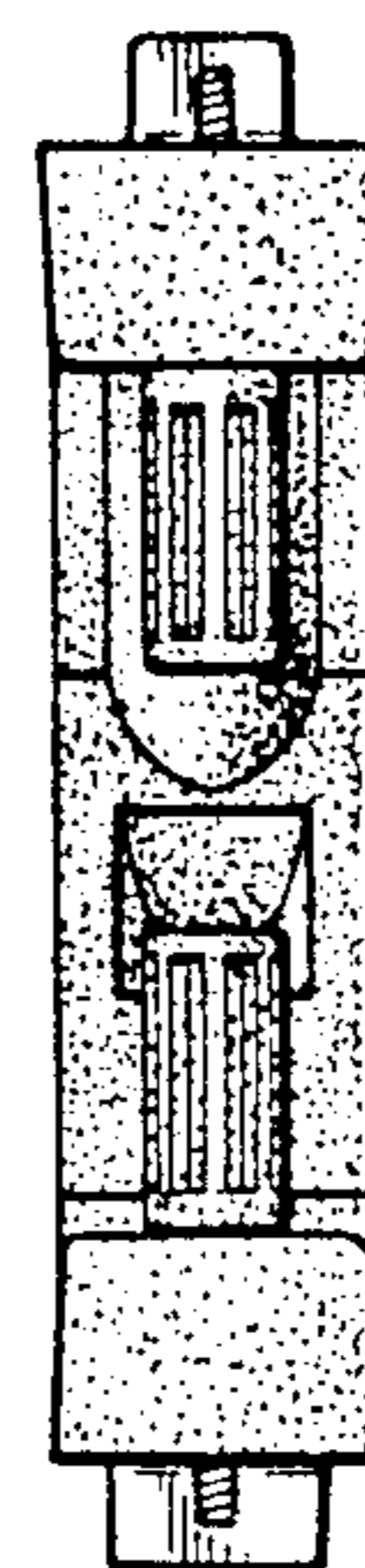


FIG. 4

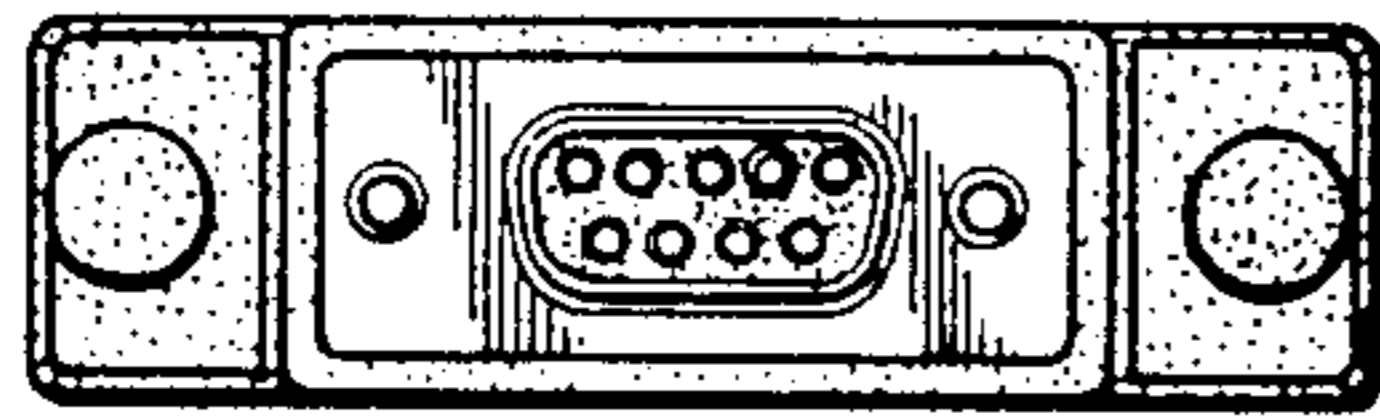


FIG. 5

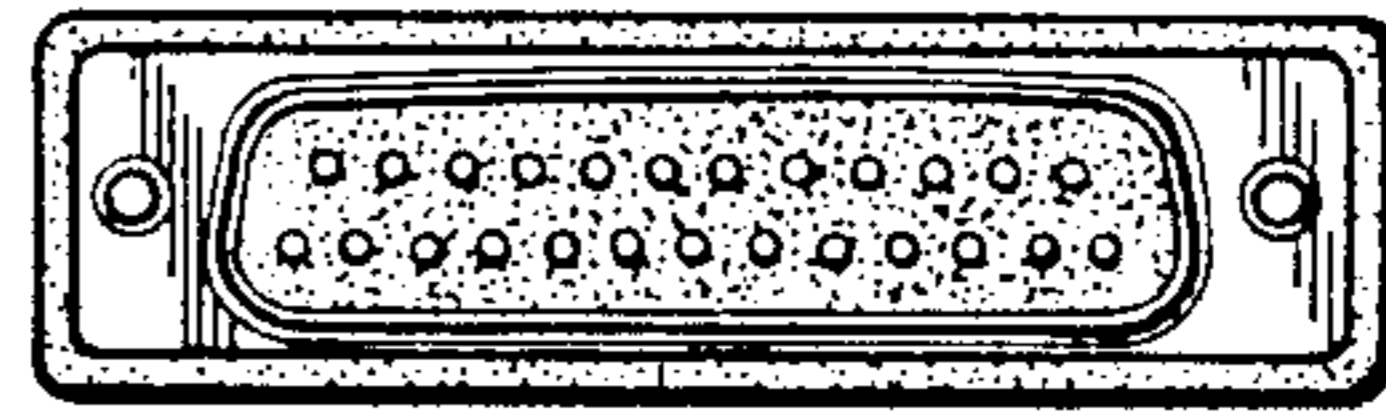


FIG. 6

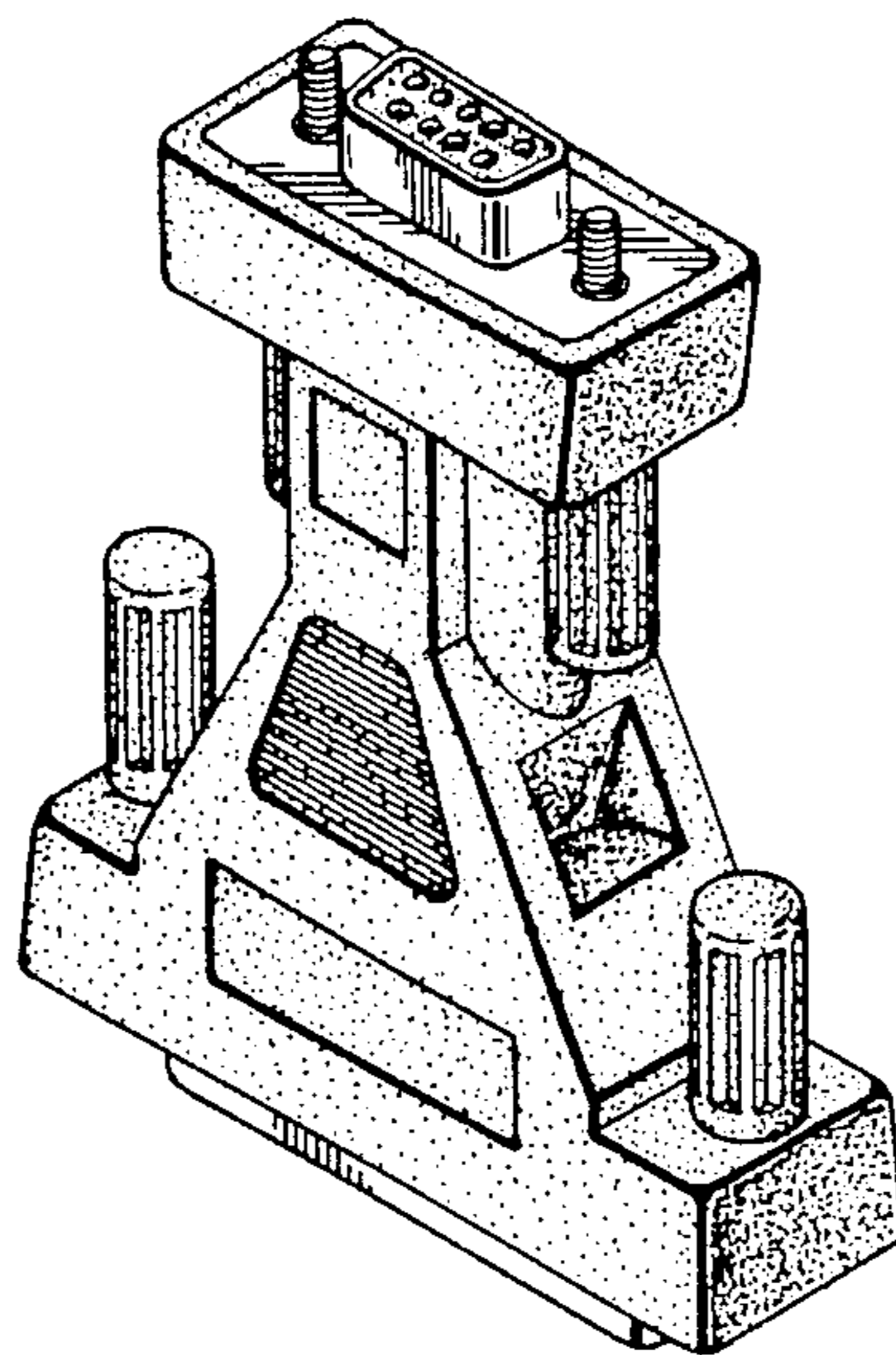


FIG. 7