

[54] HOUSING FOR AN ELECTRICAL CONNECTOR

[75] Inventor: Takayuki Yamamoto, Shizuoka, Japan

[73] Assignee: Yazaki Corporation, Tokyo, Japan

[**] Term: 14 Years

[21] Appl. No.: 136,876

[22] Filed: Dec. 22, 1987

[30] Foreign Application Priority Data

Dec. 27, 1986 [JP] Japan 61-51695

[52] U.S. Cl. D13/147

[58] Field of Search D13/133, 146; 439/344, 439/353, 357, 660, 682, 685, 686, 687, 695, 696, 712, 713, 595

[56] References Cited

U.S. PATENT DOCUMENTS

D. 195,171	5/1963	Keller	D13/24
D. 205,509	8/1966	Reynolds	D13/24
D. 208,551	9/1967	Geis, Jr.	D13/24
D. 272,144	1/1984	Mayumi	D13/24
D. 277,750	2/1985	Ito et al.	D13/24
D. 279,978	8/1985	Inoue et al.	D13/24
4,005,925	2/1977	Sudre	439/687
4,711,508	12/1987	Sueyoshi	439/595

FOREIGN PATENT DOCUMENTS

2715522 10/1977 Fed. Rep. of Germany 439/687

Primary Examiner—Susan J. Lucas
Assistant Examiner—Joel Sincavage
Attorney, Agent, or Firm—Sughrue, Mion, Zinn, Macpeak & Seas

[57] CLAIM

The ornamental design for a housing for an electrical connector, as shown and described.

DESCRIPTION

FIG. 1 is a rear, top and left side perspective view of a housing for an electrical connector showing my new design;

FIG. 2 is a front elevational view thereof;

FIG. 3 is a rear elevational view thereof;

FIG. 4 is a right side elevational view thereof, the left side elevational being a mirror image;

FIG. 5 is a top plan view thereof;

FIG. 6 is a bottom plan view thereof;

FIG. 7 is a front elevational view of a housing for an electrical connector showing my new design in the open position;

FIG. 8 is a rear elevational view thereof;

FIG. 9 is a top plan view thereof;

FIG. 10 is a right side elevational view thereof, the left side elevational view being a mirror image;

FIG. 11 is a rear, top and left side perspective view of a housing for an electrical connector showing my new design with its conductors mounted, positioned for coupling to another connector housing for the purpose of a complete disclosure.

The broken line showing is for illustrative purposes only and forms no part of the claimed design.

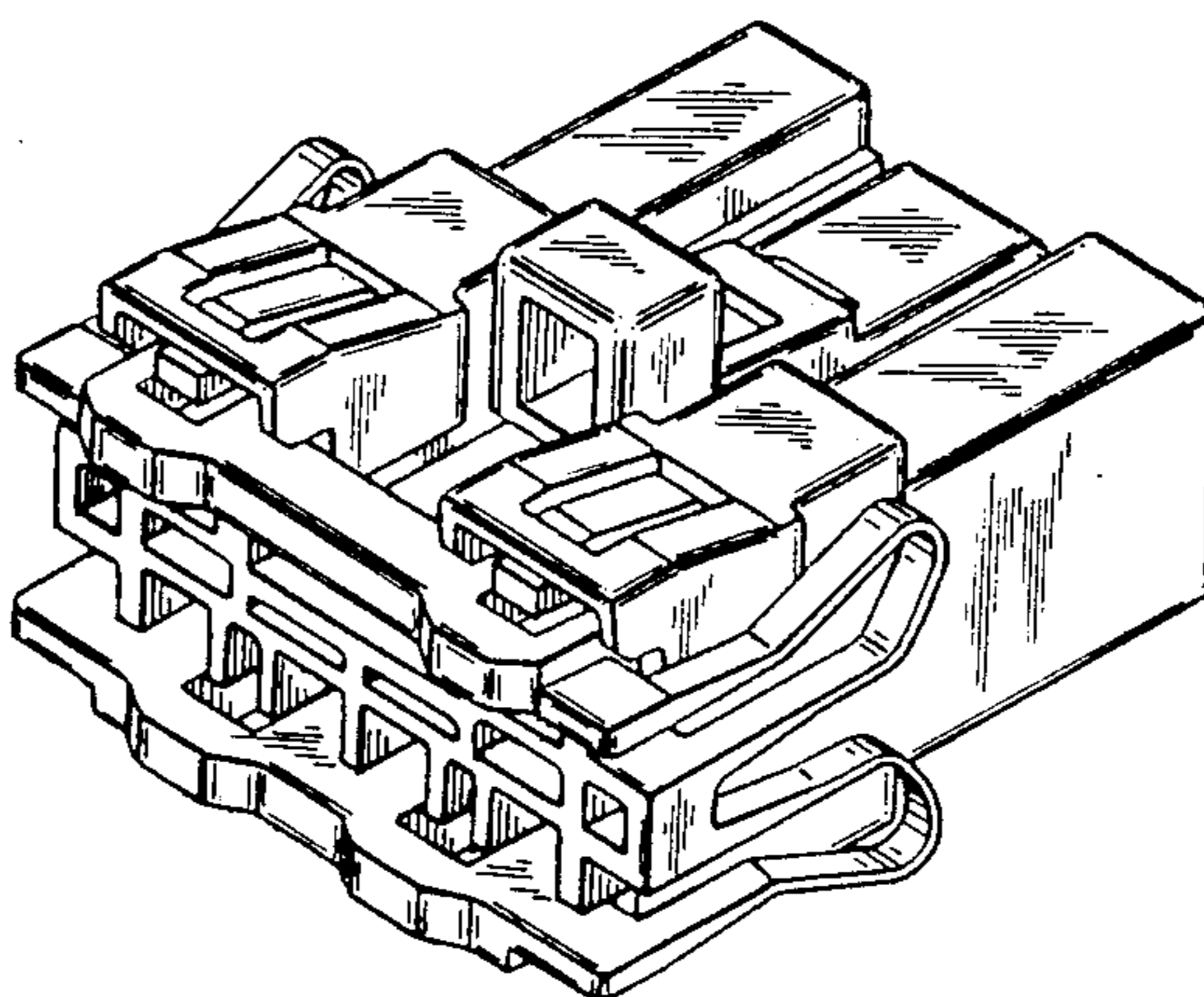


FIG. 1

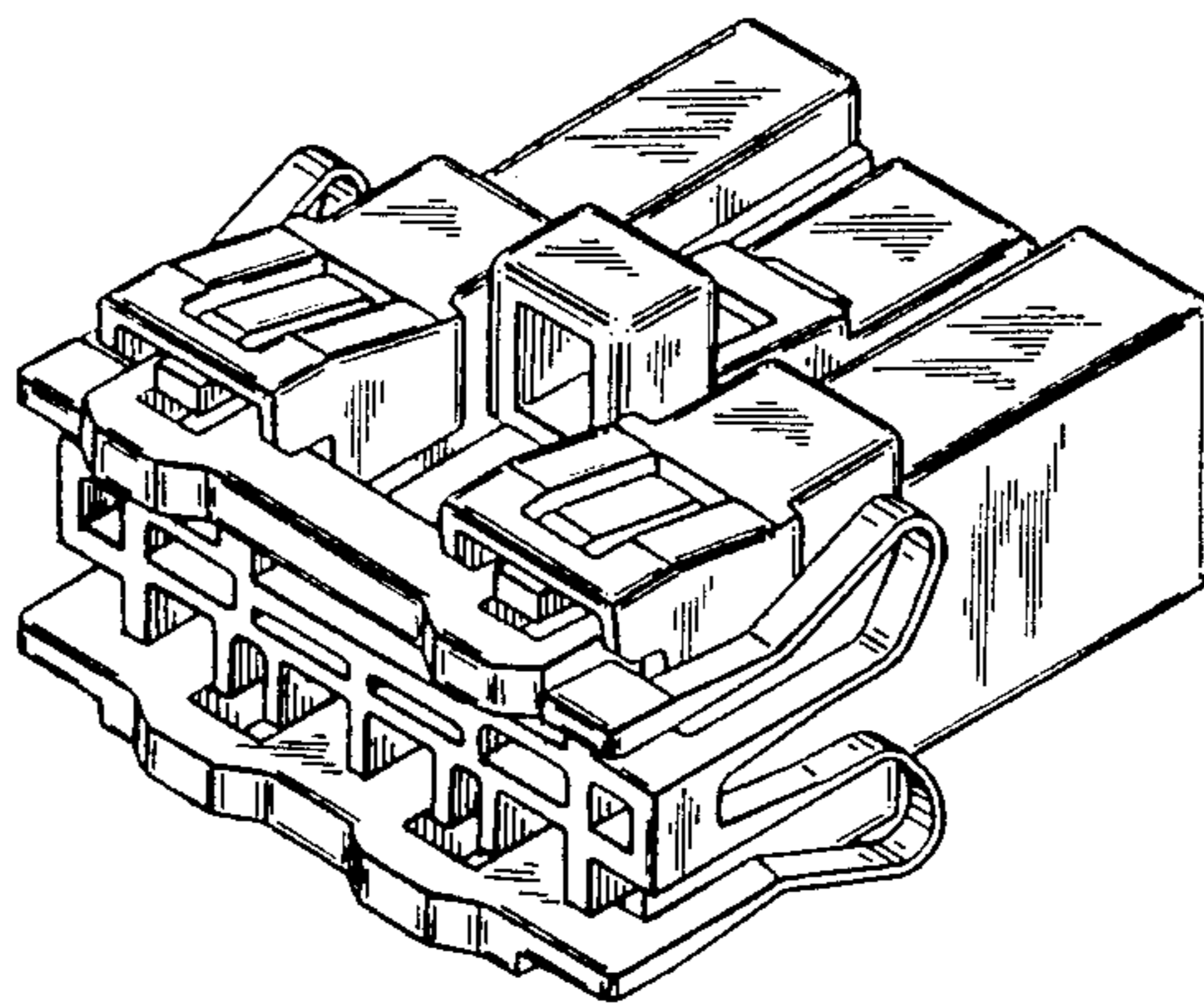


FIG. 2

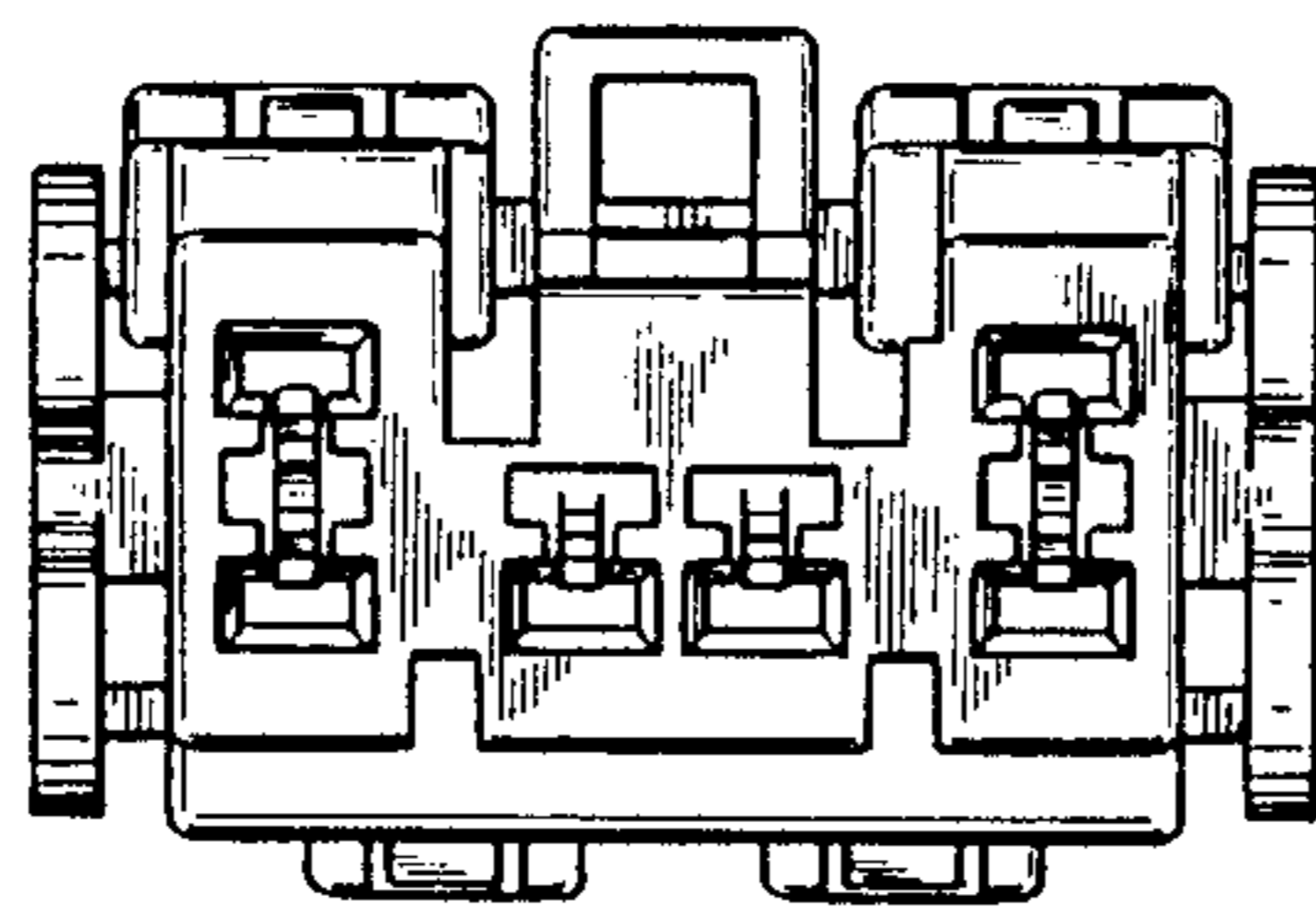


FIG. 3

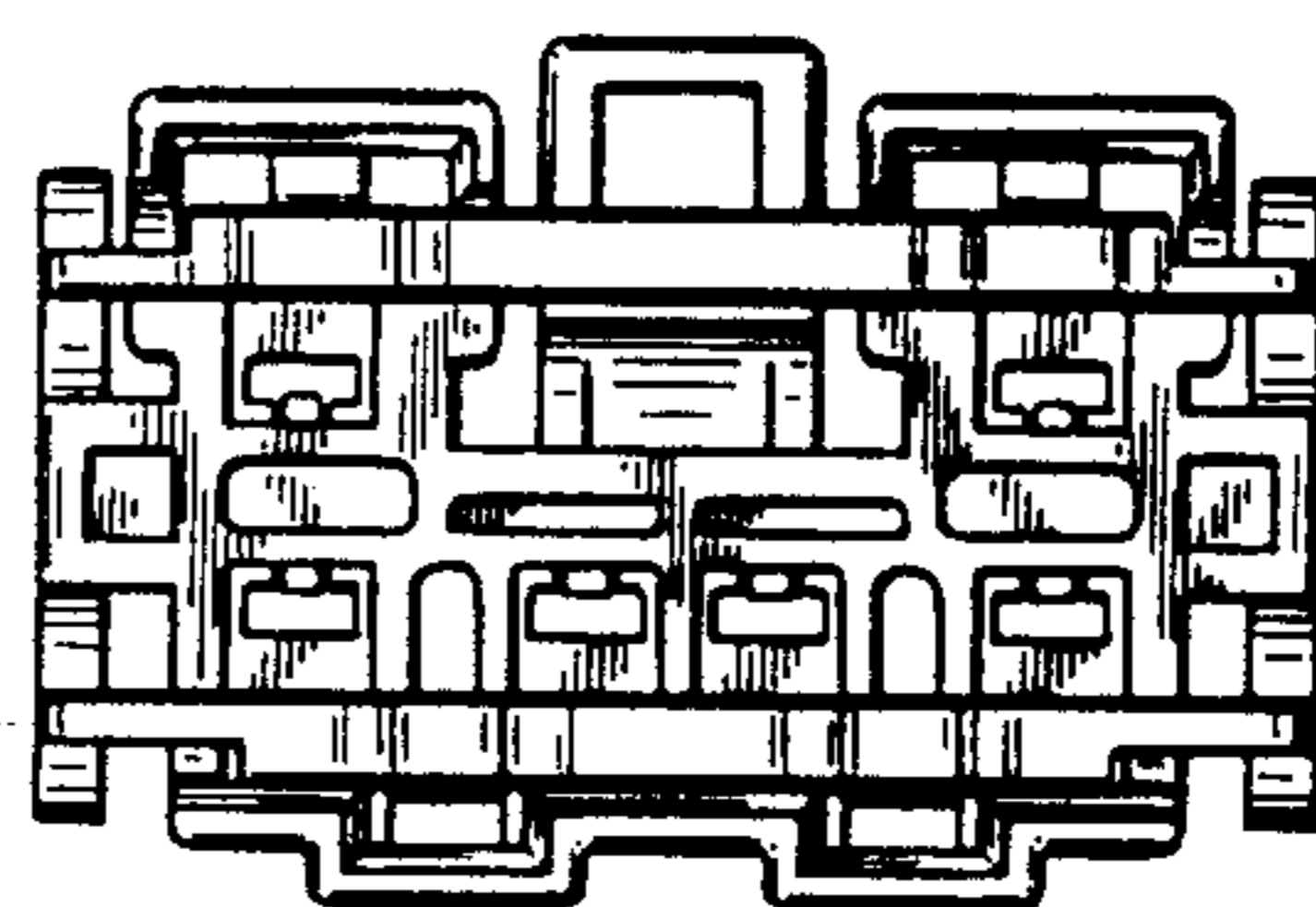


FIG. 4

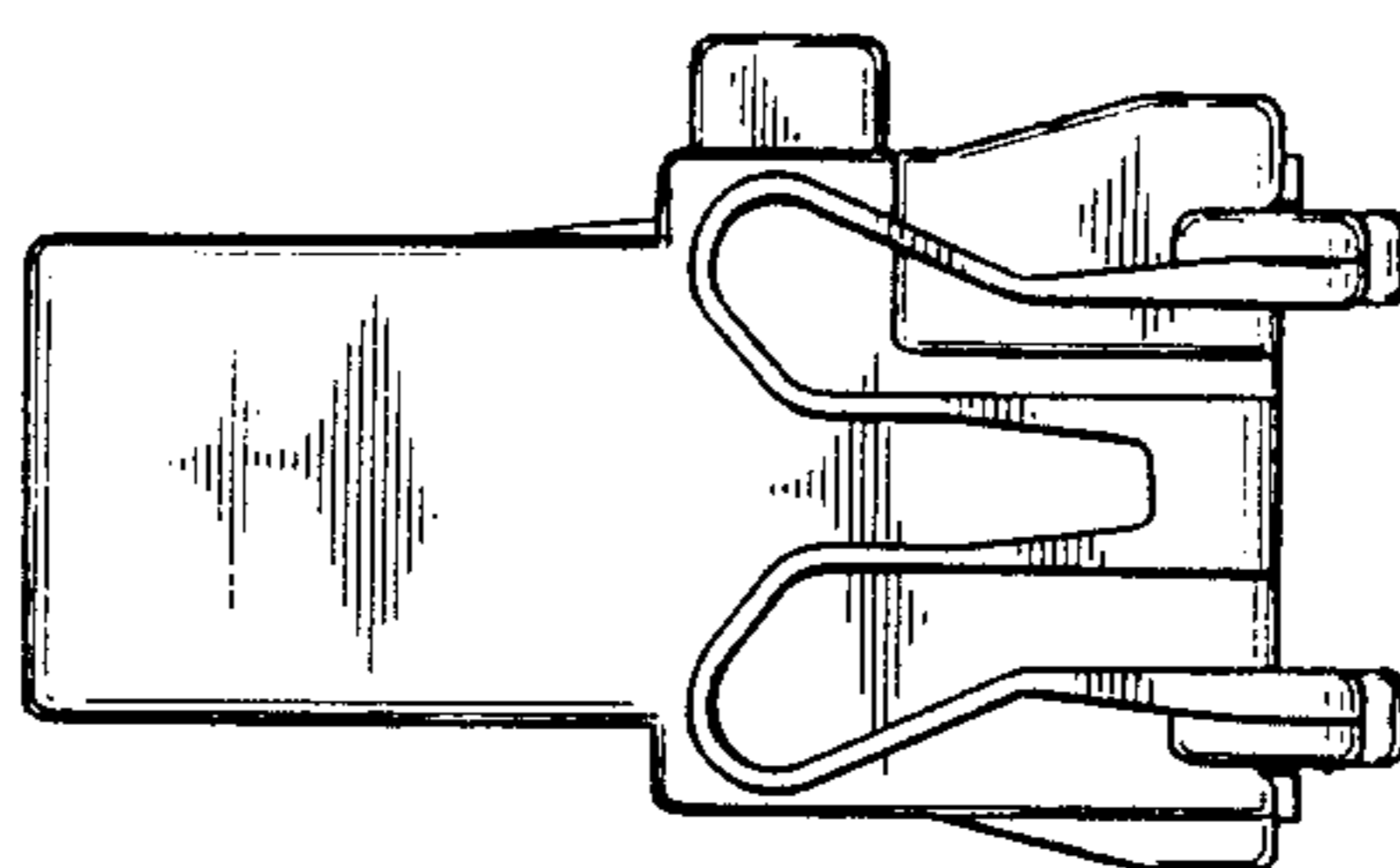


FIG. 5

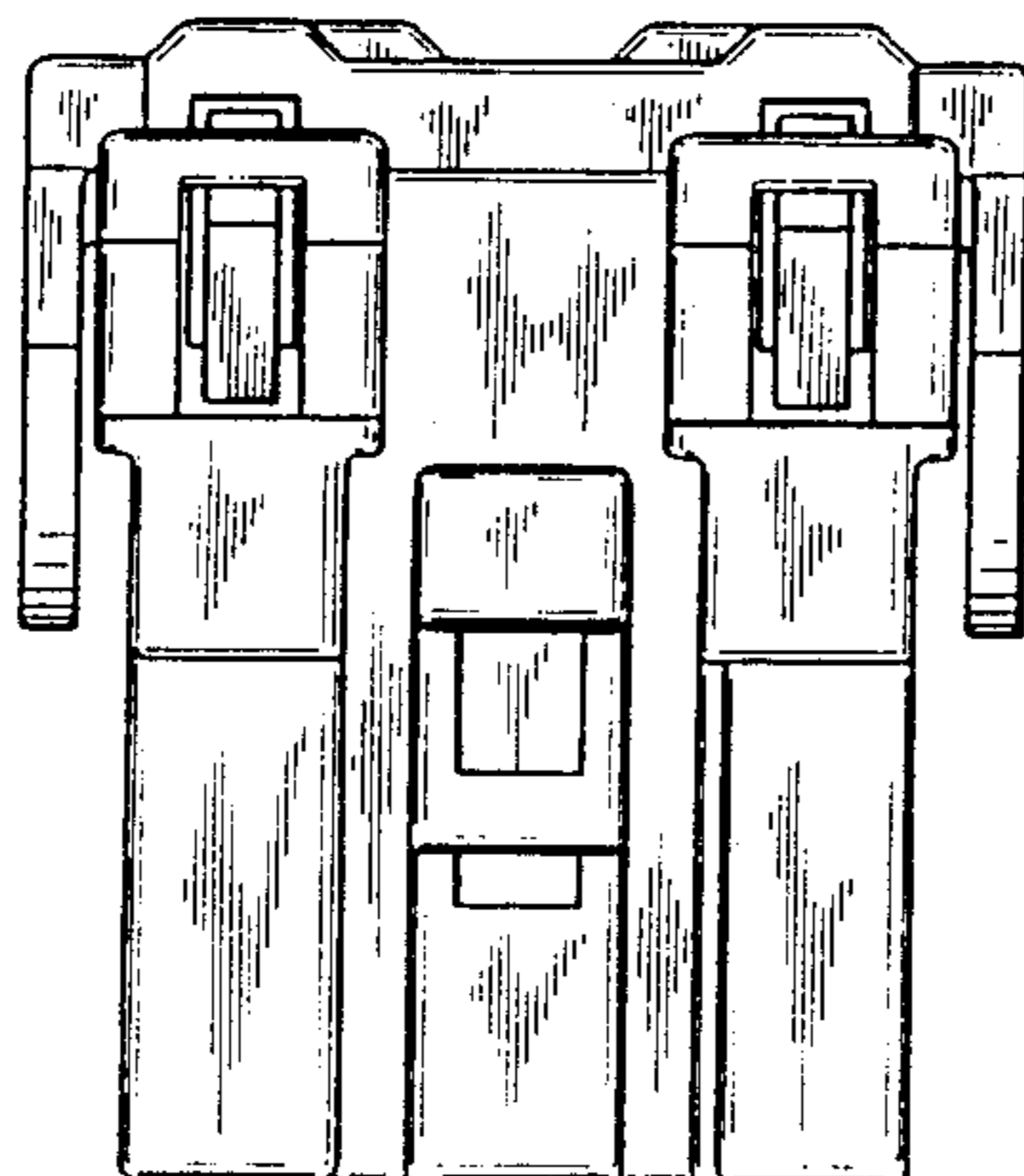


FIG. 6

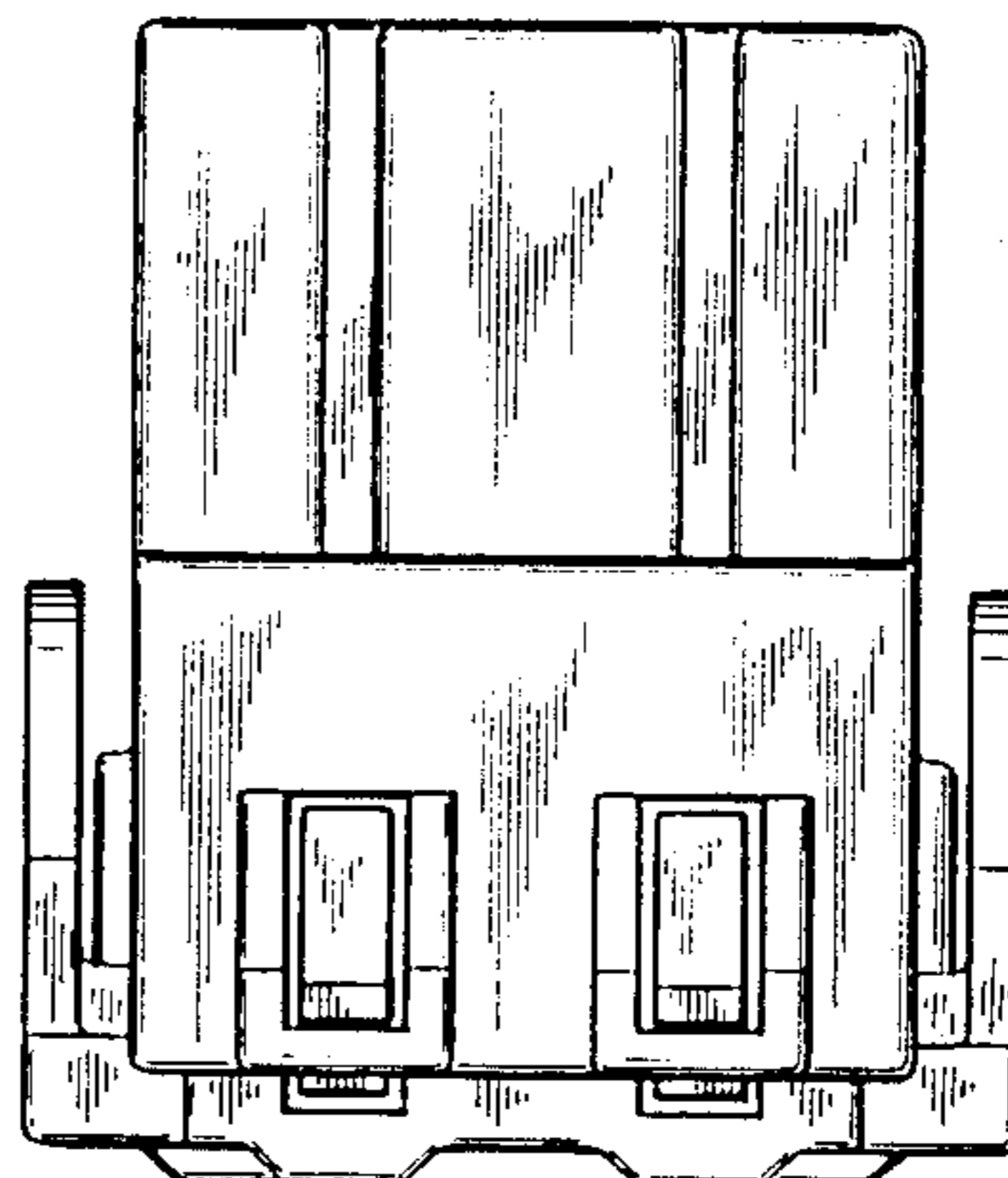


FIG. 7

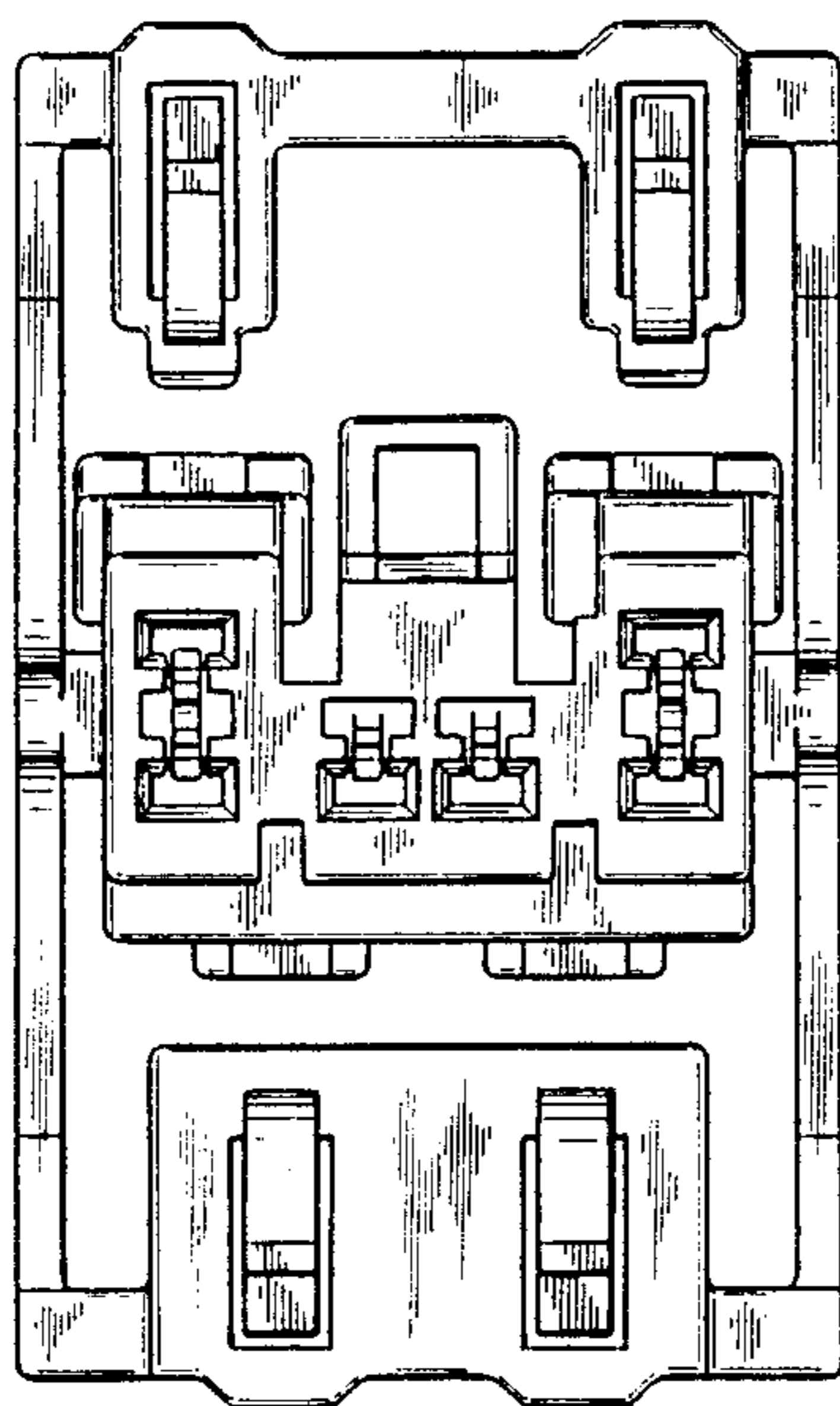


FIG. 8

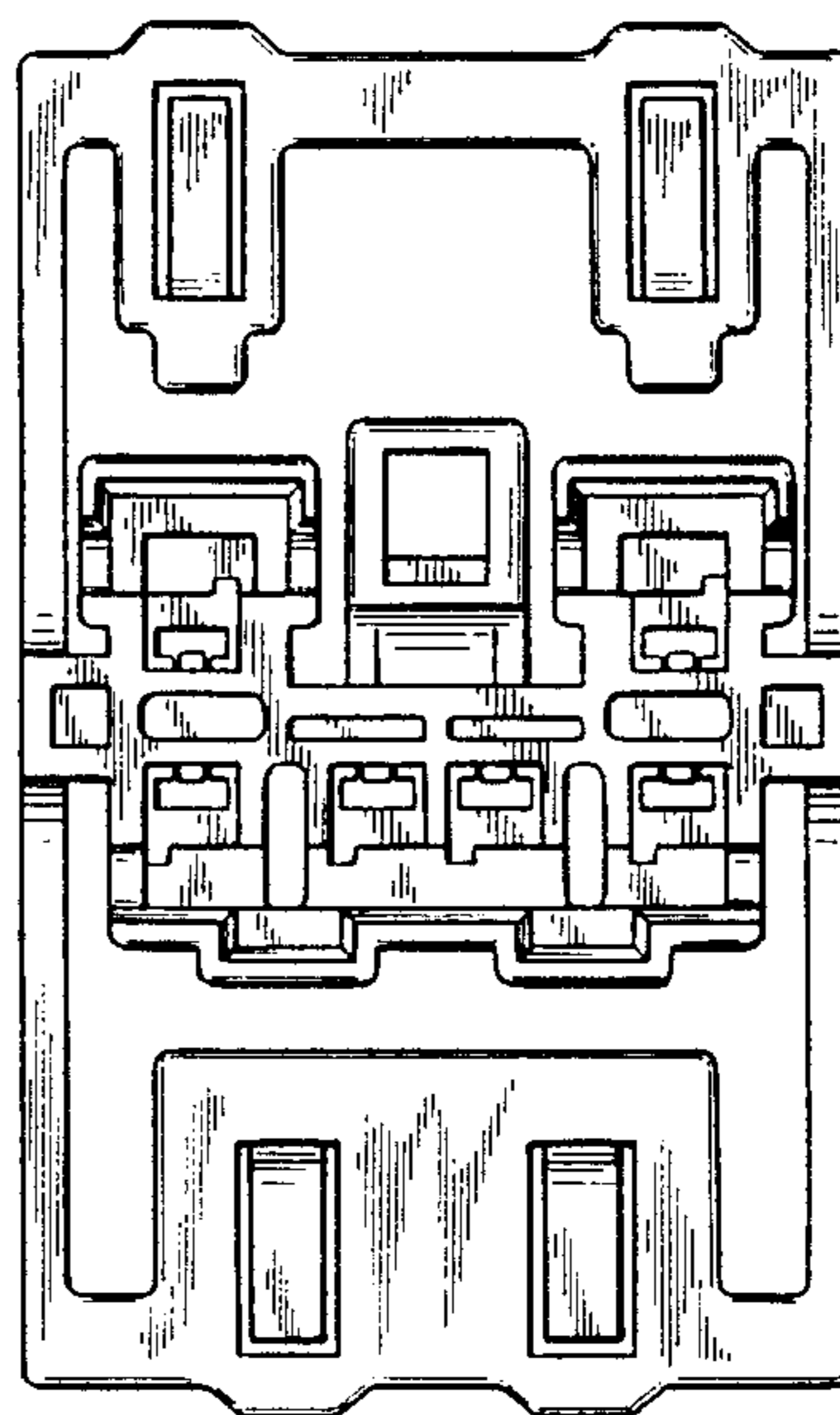


FIG. 9

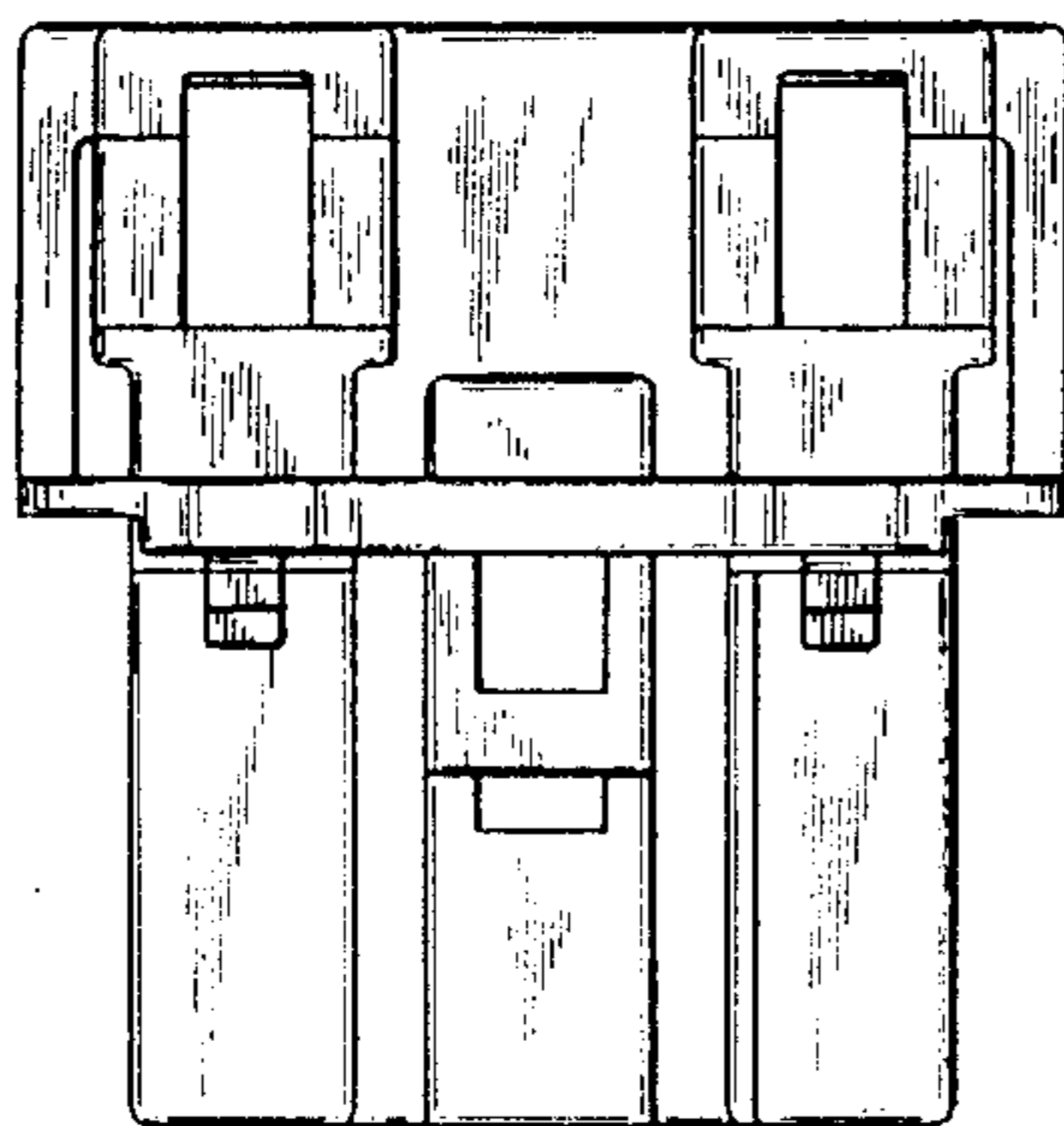
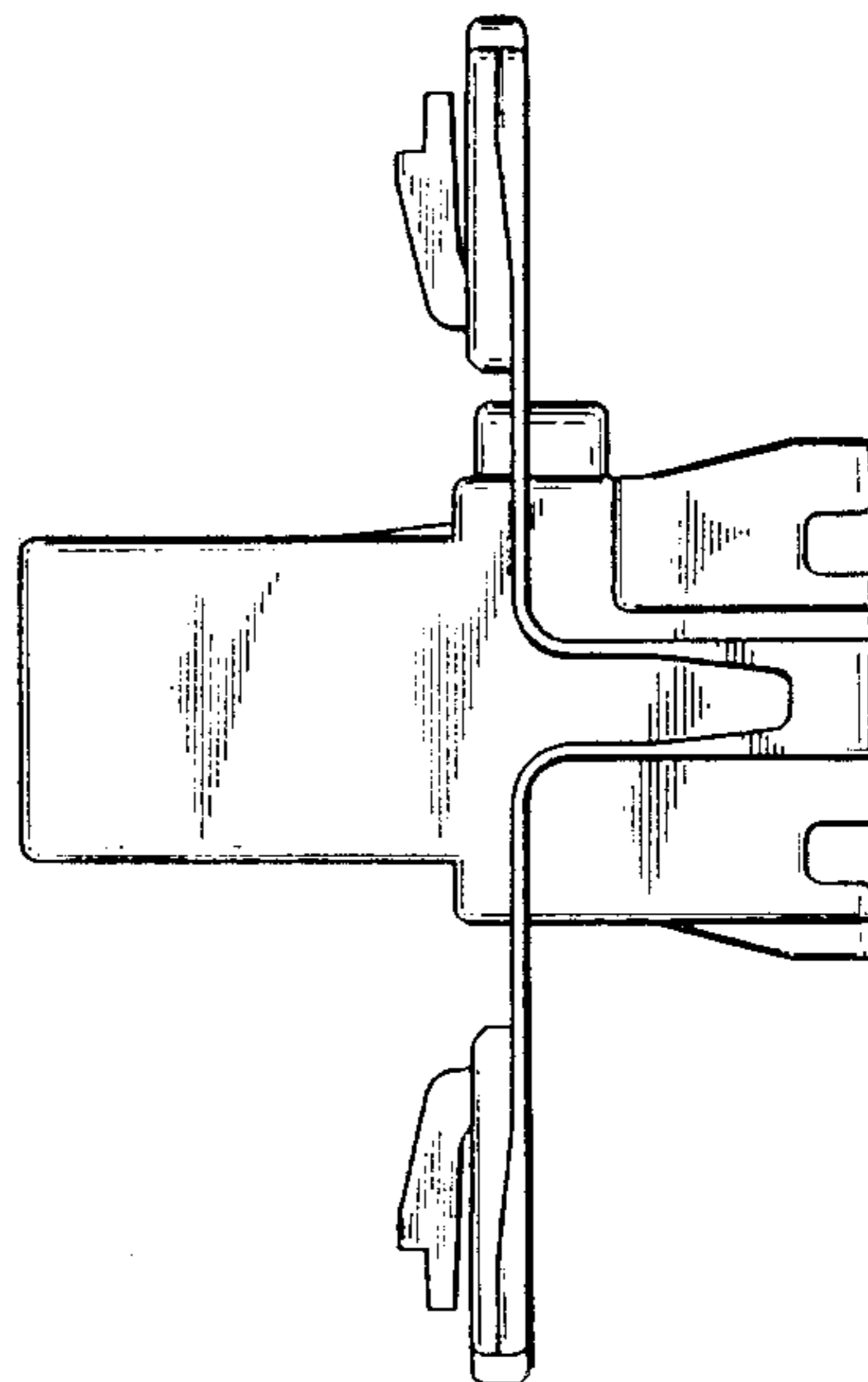


FIG. 10



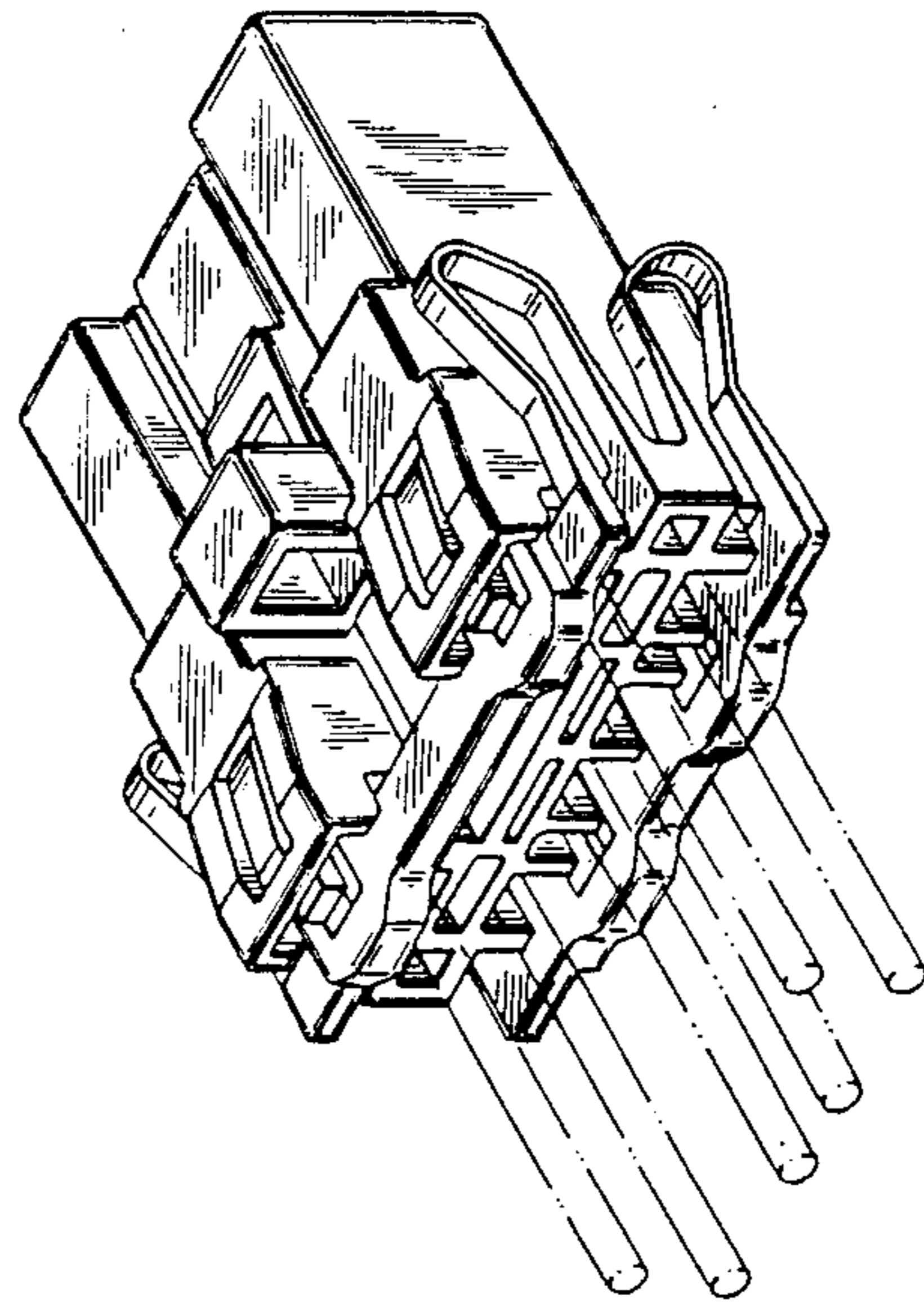
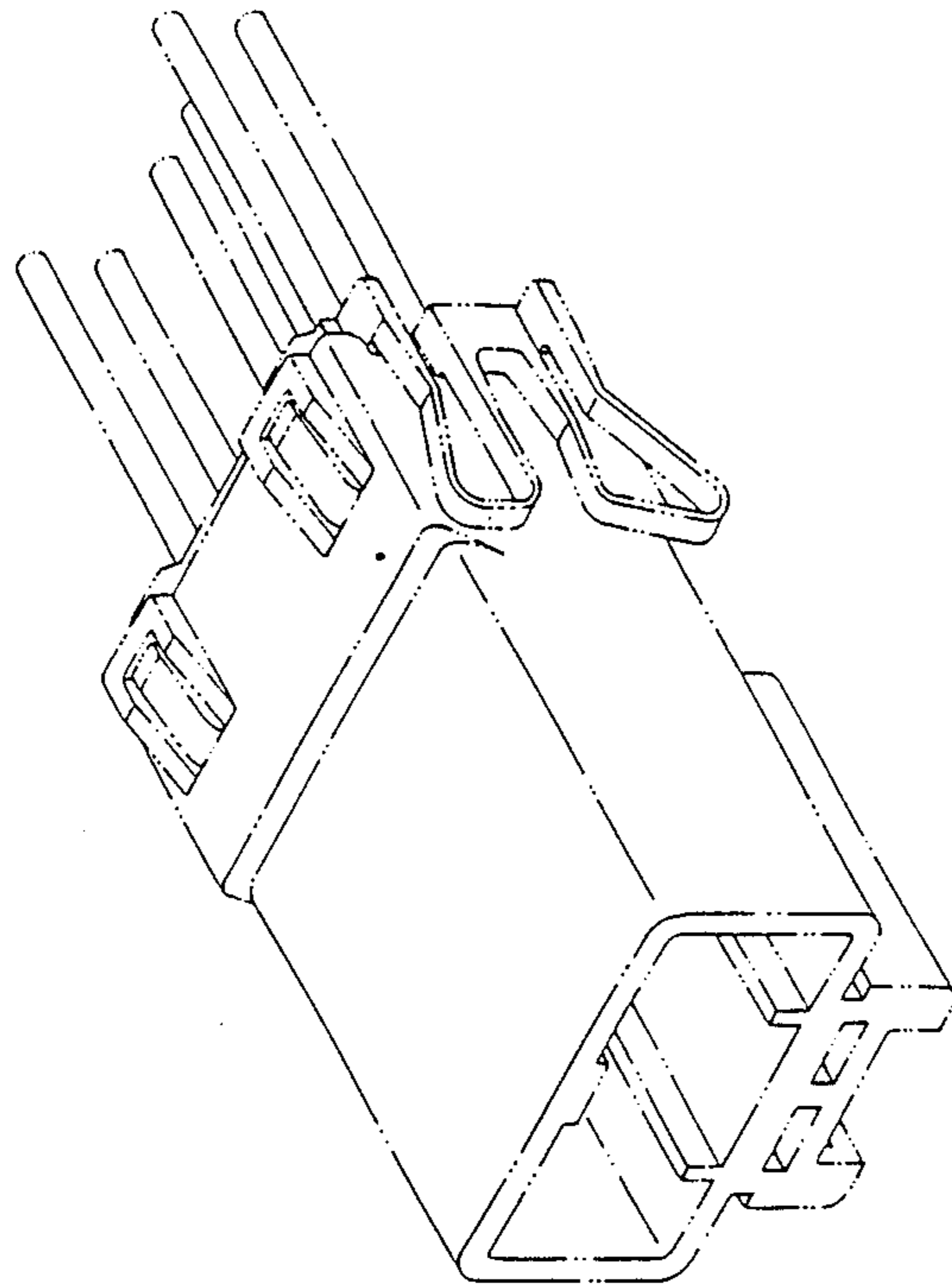


FIG. 11