

[54] TIRE

[75] Inventors: **Randall B. Clark, Greenville; Edward M. Remick, Taylors, both of S.C.**

[73] Assignee: **Michelin Recherche et Technique, Fribourg, Switzerland**

[**] Term: **14 Years**

[21] Appl. No.: **236,622**

[22] Filed: **Aug. 24, 1988**

[52] U.S. Cl. **D12/147**

[58] Field of Search **D12/146-151, D12/136, 140; 152/209 R, 209 B, 209 D**

[56] **References Cited**

U.S. PATENT DOCUMENTS

- D. 187,575 3/1960 Caurette D12/147
- D. 274,715 7/1984 Baumgardner D12/147
- D. 307,122 4/1990 Wischhusen D12/147

FOREIGN PATENT DOCUMENTS

1007210 9/1983 United Kingdom .

OTHER PUBLICATIONS

- 1987 Tread Design Guide, p. 241, Power King Implement Lawn & Garden Turf Tire, top center of page.
- Tread Design Guide, 1988, p. 135, XM+S4 Tire.
- Trand Design Guide, 1988, p. 176, UNISTEEL G167 Tire.
- Tread Design Guide, 1983, p. 130, XZY and XC4 Tires.
- Tread Design Guide, 1983, p. 27, Sport D4 Radial, Dunlop Tire.
- Tread Design Guide, 1986, p. 12, Radial Winter Tread 125, Alliance Tire.
- Tread Design Guide, 1986, p. 71, Centurion Steel Belt Radial Star Tire.

Primary Examiner—James M. Gandy
Attorney, Agent, or Firm—Finnegan, Henderson, Farabow, Garrett & Dunner

[57] **CLAIM**

The ornamental design for a tire, as shown and described.

DESCRIPTION

FIG. 1 is a perspective view of a tire showing our new design, it being understood that the tread pattern is repeated throughout the circumference of the tire, as shown schematically by solid lines, the opposite side being substantially the same as that illustrated. FIG. 2 is an enlarged fragmentary end elevation view thereof.

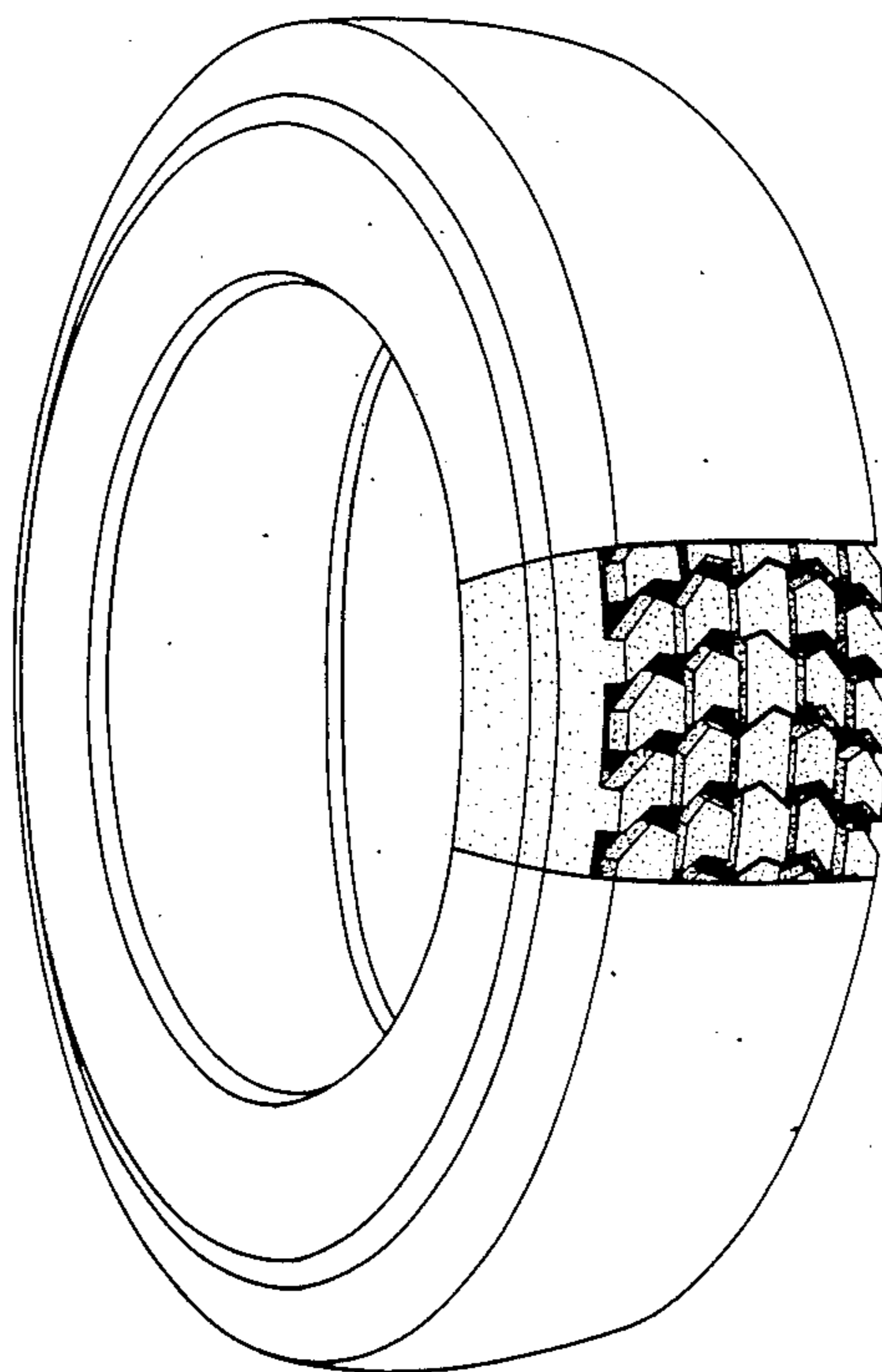


FIG. 1.

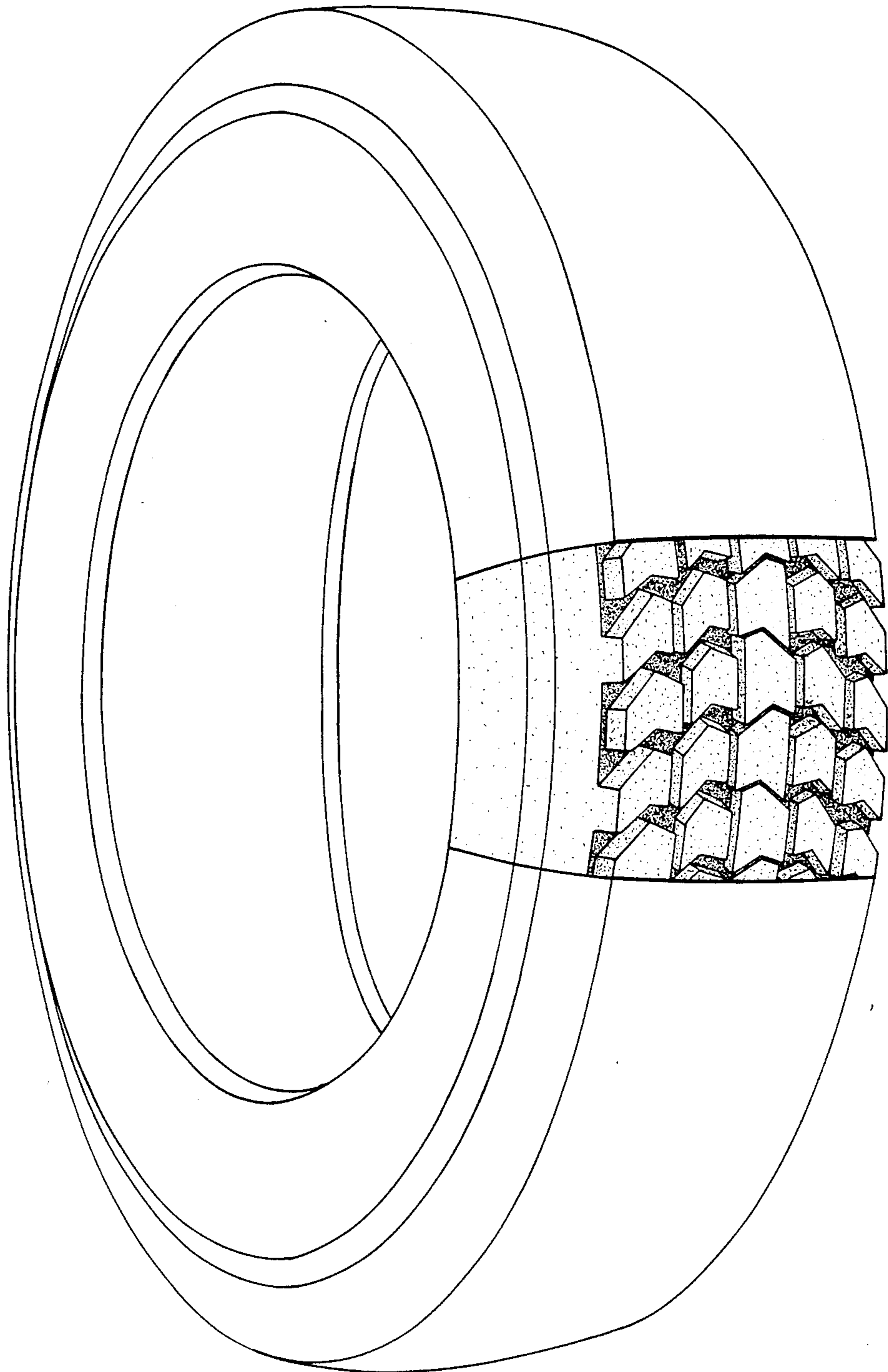


FIG. 2.

