

[54] **AUTOMOBILE FRONT DOOR PANEL
EXTERIOR SURFACE**

[75] **Inventor: Harumi Okano, Saitama, Japan**

[73] **Assignee: Honda Giken Kogyo Kabushiki
Kaisha, Tokyo, Japan**

[**] **Term: 14 Years**

[21] **Appl. No.: 94,536**

[22] **Filed: Sep. 9, 1987**

[52] **U.S. Cl. D12/196**

[58] **Field of Search D12/196; 296/146**

[56] **References Cited**

U.S. PATENT DOCUMENTS

D. 246,101 10/1977 DeRees D12/196

OTHER PUBLICATIONS

Road & Track, 6/86, p. 101, Honda Accord LXi Front Door Panel, bottom of page.

Road & Track, 6/86, p. 100, Honda Civic Si Front Door Panel, bottom of page.

Road & Track, 6/86, p. 103, Honda Prelude Si Front Door Panel, bottom of page.

Motor Trend, 8/85, p. 51, Honda Accord Sedan Front Door Panel, bottom of page.

Primary Examiner—James M. Gandy

Attorney, Agent, or Firm—Lyon & Lyon

[57] **CLAIM**

The ornamental design for an automobile front door panel exterior surface, as shown.

DESCRIPTION

FIG. 1 is a front elevation view of an automobile front door panel exterior surface showing my new design; and

FIG. 2 is a perspective view thereof.

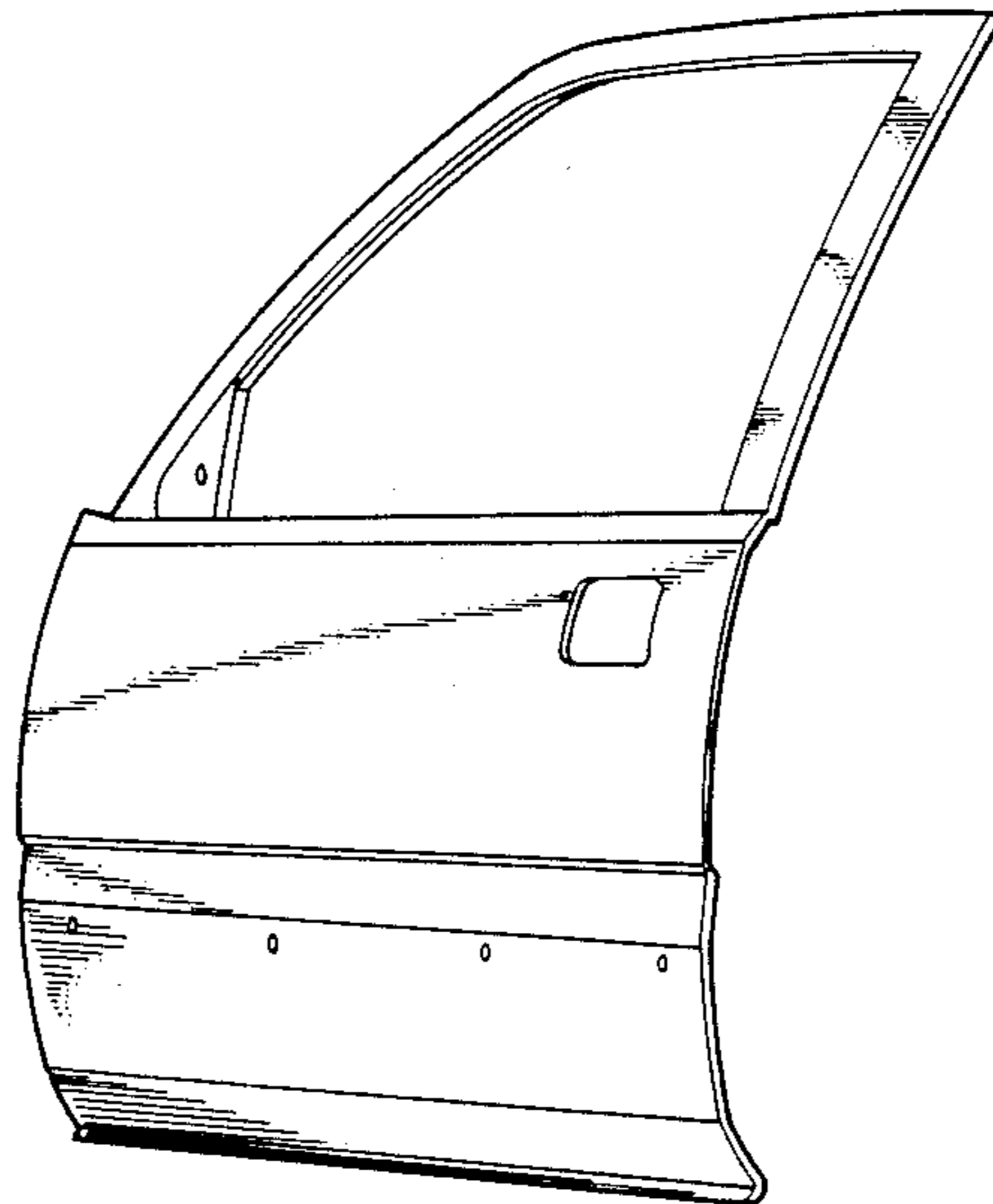


FIG. 1

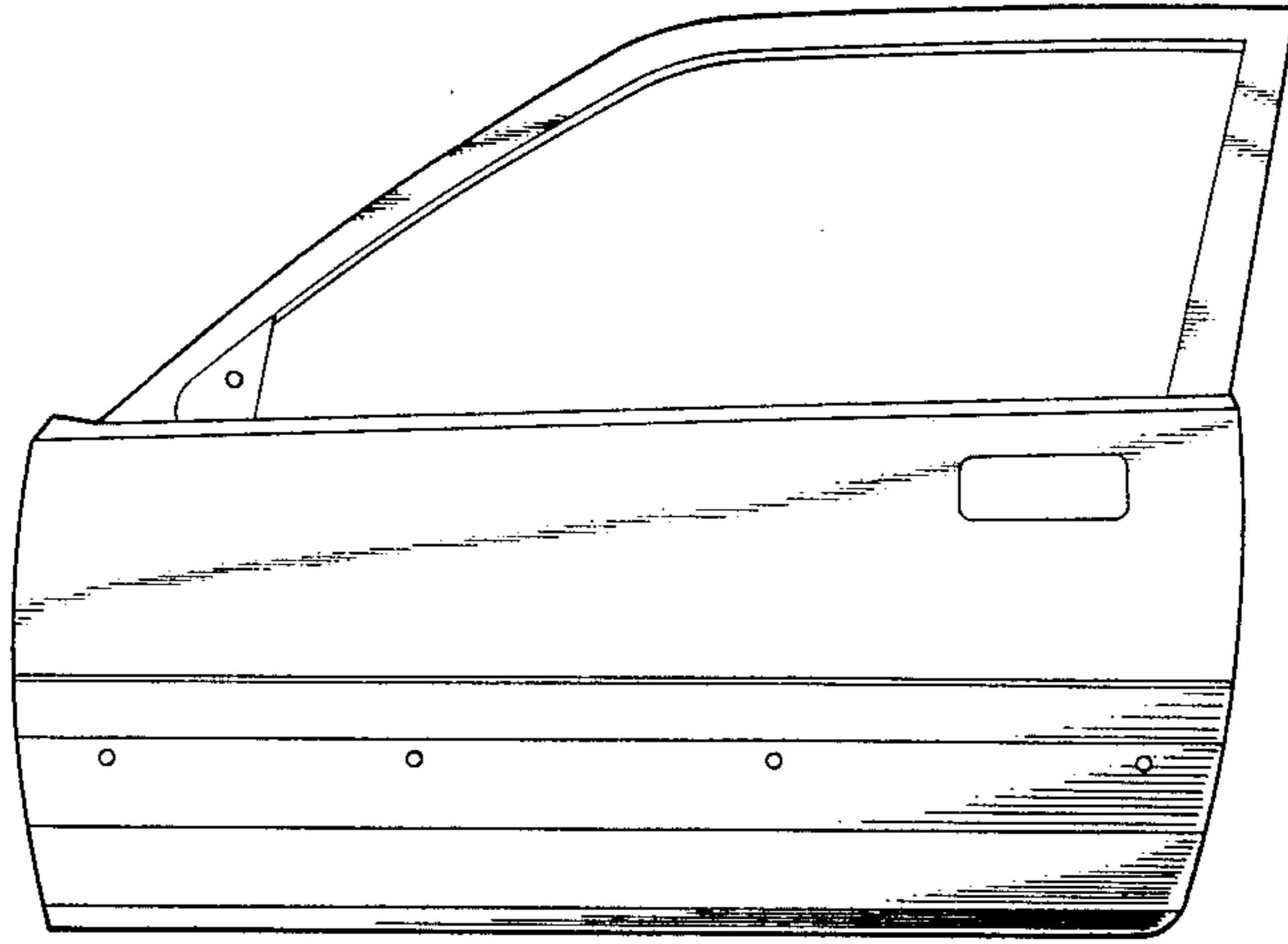


FIG. 2

