

[54] CLOCK

D. 158,602 5/1950 Nelson D10/6

[75] Inventor: Kayoko Kato, Tokyo, Japan

OTHER PUBLICATIONS

Westclox Catalog, 6-67, p. 19, Barometer, bottom left.

[73] Assignee: Seikosha Co., Ltd., Japan

Primary Examiner—Nelson C. Holtje
Assistant Examiner—Gary D. Watson
Attorney, Agent, or Firm—Bruce L. Adams; Van C. Wilks

[**] Term: 14 Years

[21] Appl. No.: 9,352

[22] Filed: Jan. 30, 1987

[57] CLAIM

The ornamental design for a clock, as shown and described.

[30] Foreign Application Priority Data

Oct. 15, 1986 [JP] Japan 61-40799

DESCRIPTION

[52] U.S. Cl. D10/26

[58] Field of Search D10/1, 2, 4, 6, 16-29,
D10/46; 368/276, 285

FIG. 1 is a front elevational view of a clock showing my new design;

FIG. 2 is a rear elevational view thereof;

FIG. 3 is a right side elevational view thereof, the left being a mirror image thereof;

FIG. 4 is a top plan view thereof; and

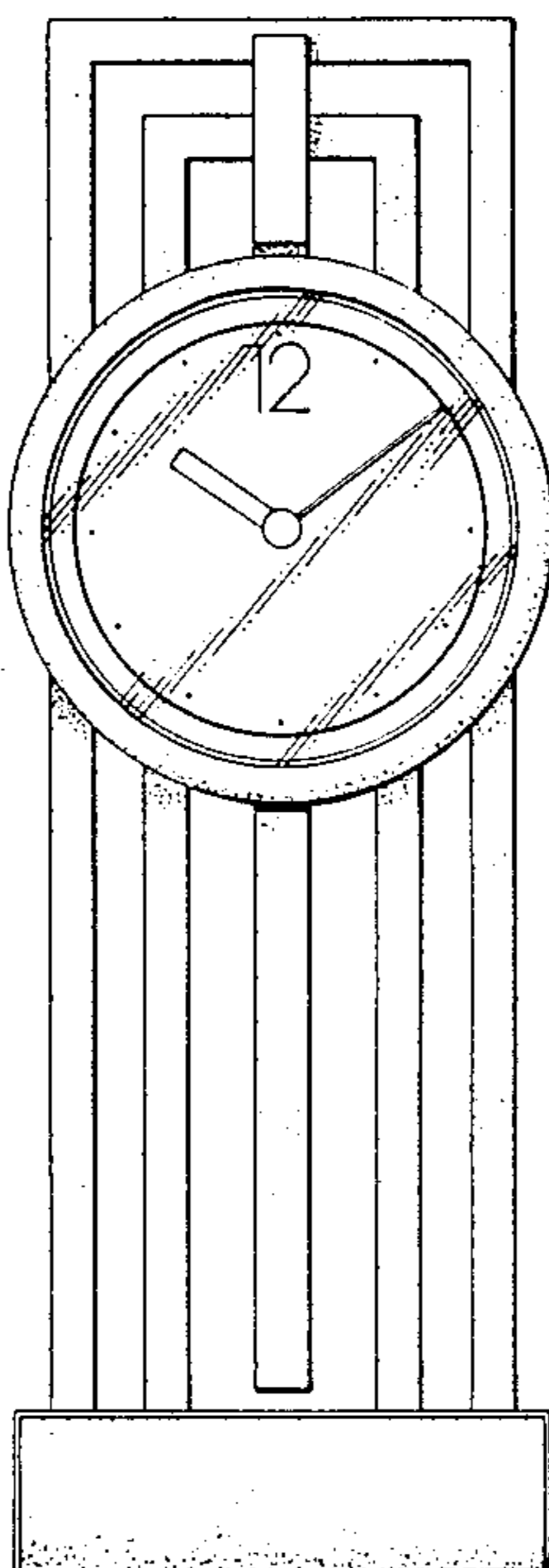
FIG. 5 is a bottom plan view thereof.

[56] References Cited

U.S. PATENT DOCUMENTS

D. 129,896 10/1941 Cohen D10/16

D. 141,479 6/1945 Abramson D10/6



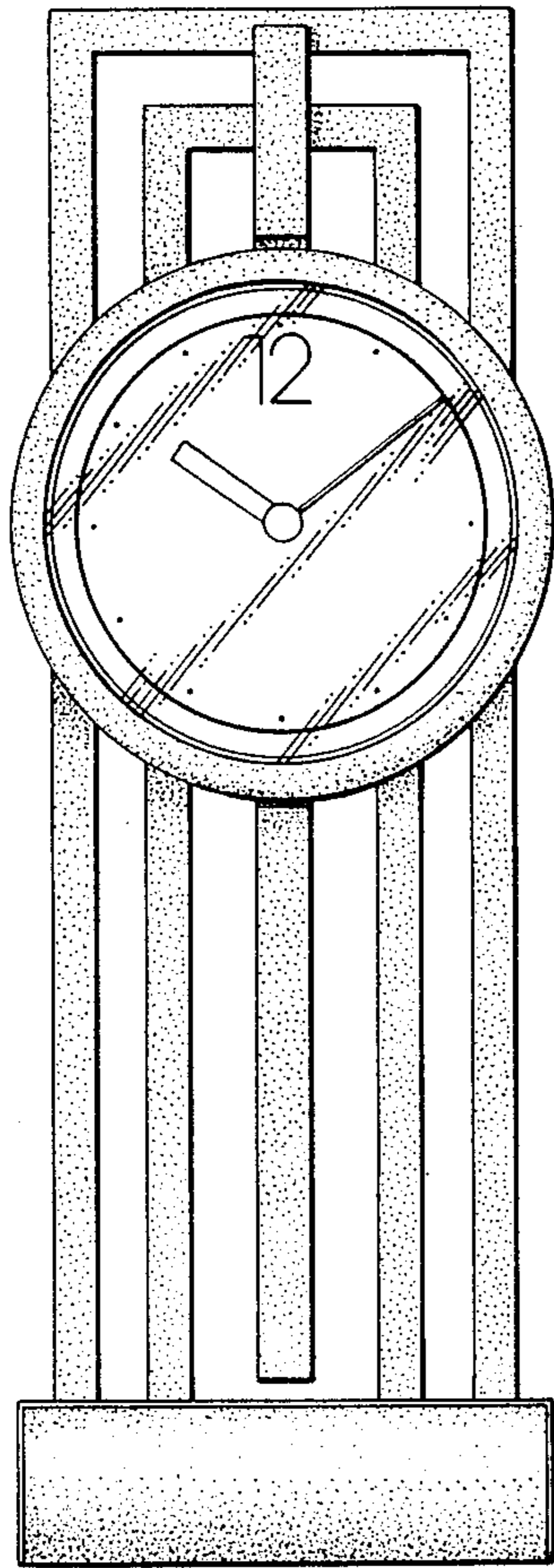


FIG. 1

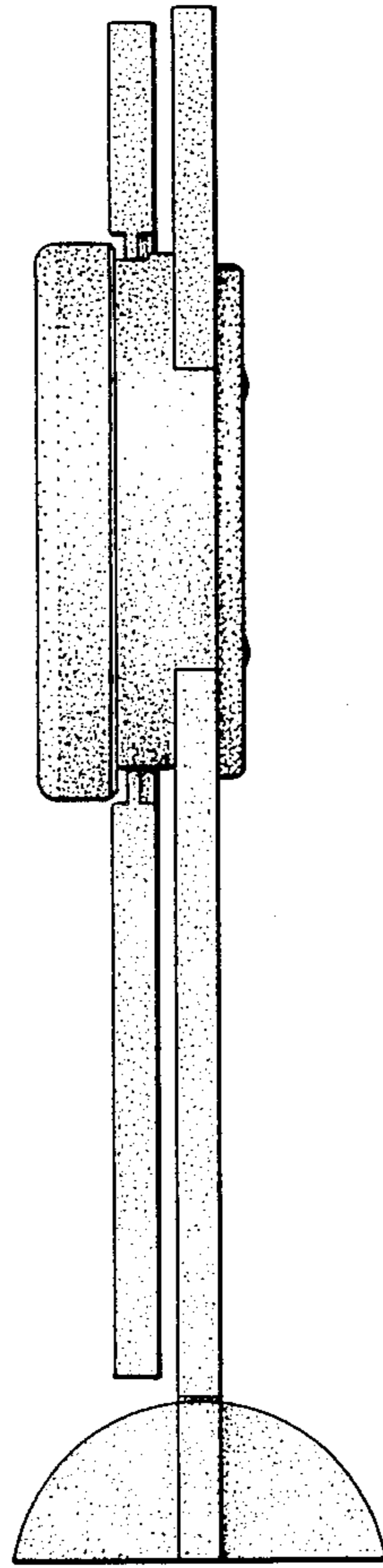


FIG. 3

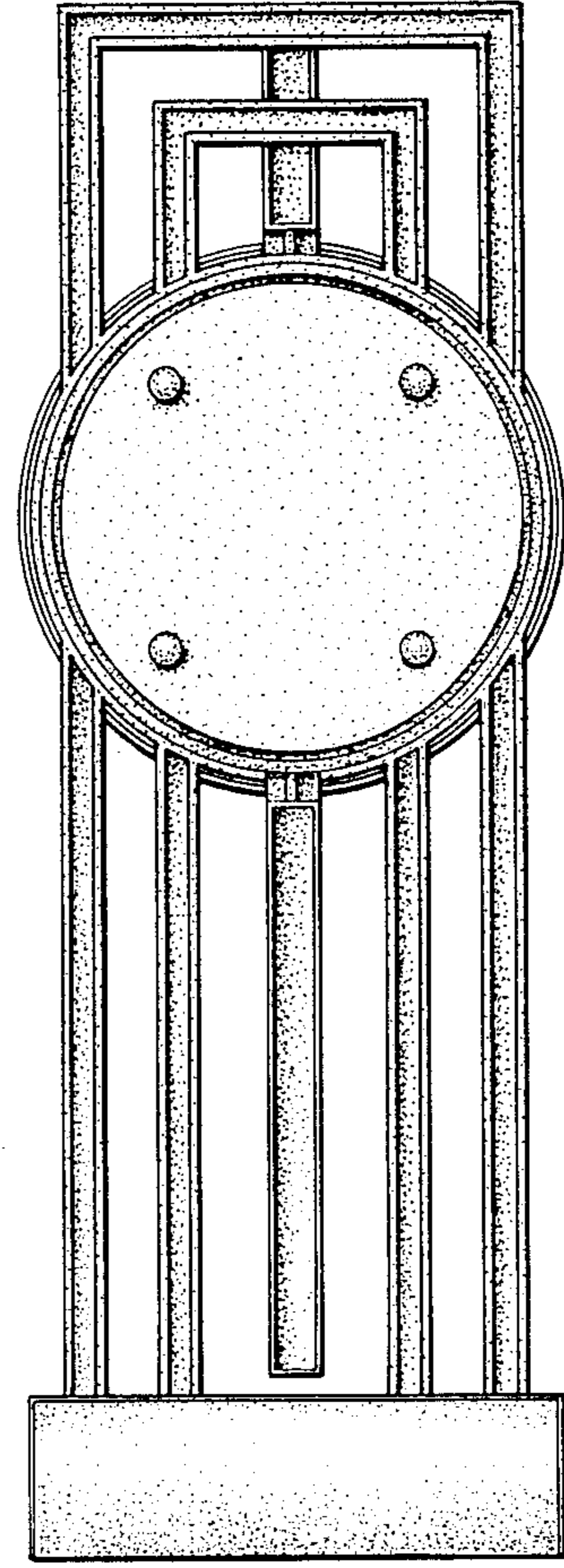


FIG. 2

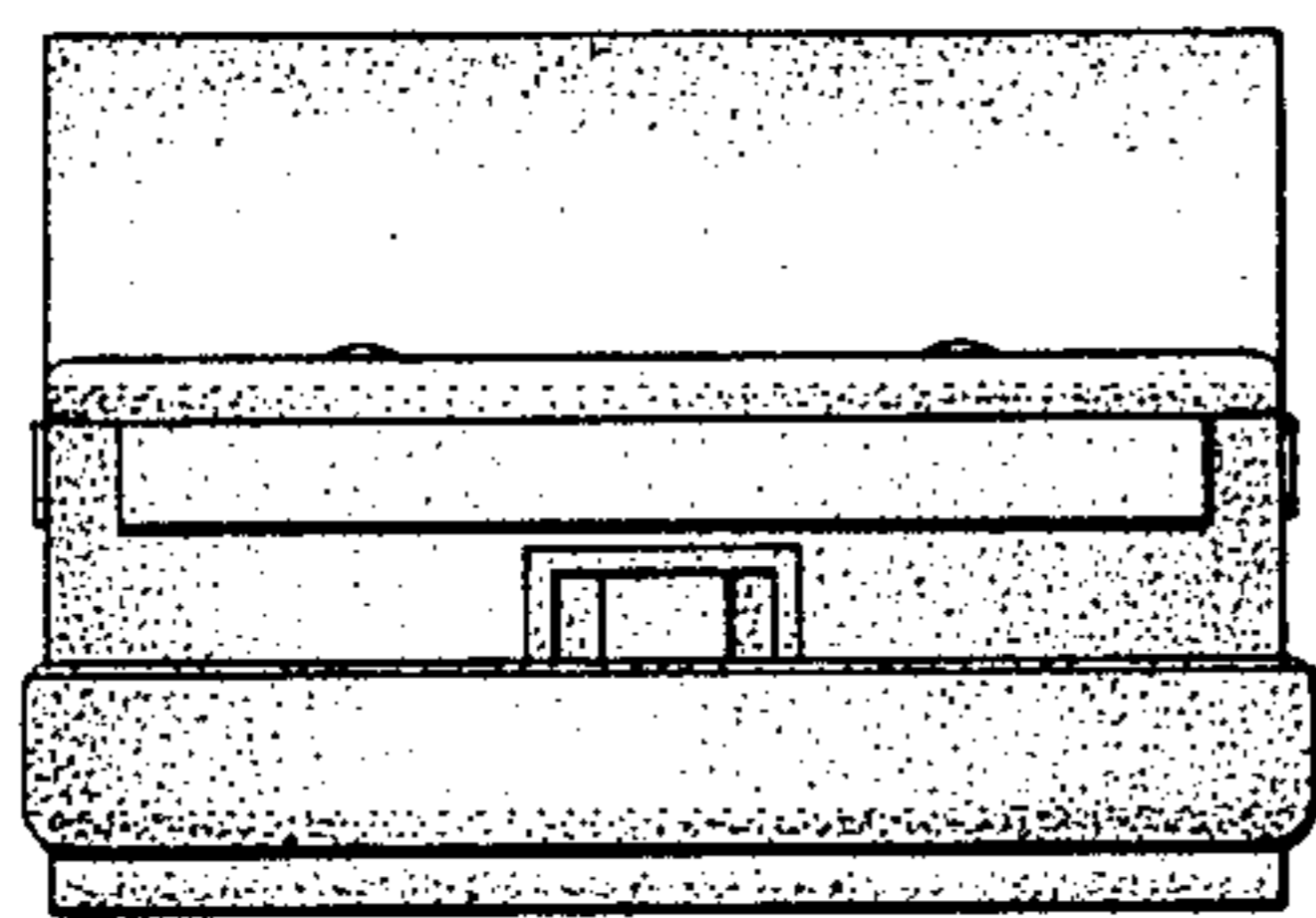


FIG. 4

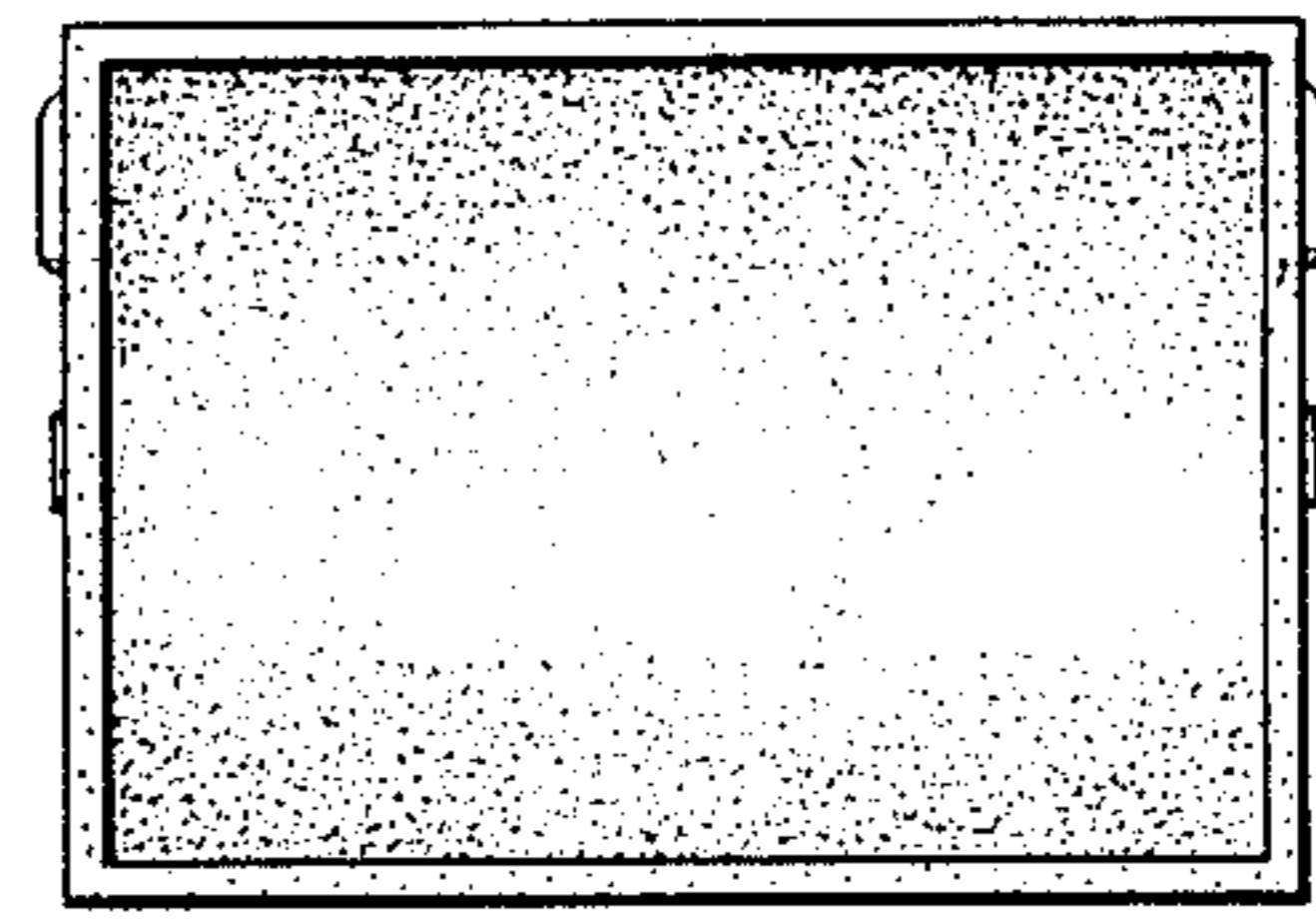


FIG. 5