

[54] BASE CUP FOR BOTTLES

4,573,597 3/1986 Adams et al. .... 215/1 C

[75] Inventors: Donald D. Cochran, Bartlett; Stephen W. Cornell, Wheaton, both of Ill.

[73] Assignee: American National Can Company, Chicago, Ill.

[\*\*] Term: 14 Years

[21] Appl. No.: 200,291

[22] Filed: May 31, 1988

[52] U.S. Cl. .... D9/434; D9/455

[58] Field of Search ..... D9/352, 370, 434, 455; D11/143, 152; 220/1 R, 1 C, 66, 70

[56] References Cited

U.S. PATENT DOCUMENTS

D. 230,953	3/1974	Edwards	.....	D9/370
D. 267,233	12/1982	Aoki	.....	D9/370
3,363,546	1/1968	Johnson	.....	215/1 R
4,355,728	10/1982	Yoshino et al.	.....	220/70
4,436,216	3/1984	Chang	.....	215/1 C

OTHER PUBLICATIONS

Packaging Review, 11/1980, cover, pic of bottles.  
Packaging, 9/1985, p. 15, pic of Coke bottles.

Primary Examiner—B. J. Bullock  
Assistant Examiner—Sandra Morris  
Attorney, Agent, or Firm—Robert A. Stenzel; Daniel N. Christus

[57] CLAIM

The ornamental design for a base cup for bottles, as shown and described.

DESCRIPTION

FIG. 1 is a bottom perspective view of a base cup for bottles, showing our new design, the broken lines showing a bottle for illustrative purposes only, the bottle forming no part of the claimed design; FIG. 2 is a side elevational view thereof; FIG. 3 is a top plan view thereof; and, FIG. 4 is a bottom plan view thereof.

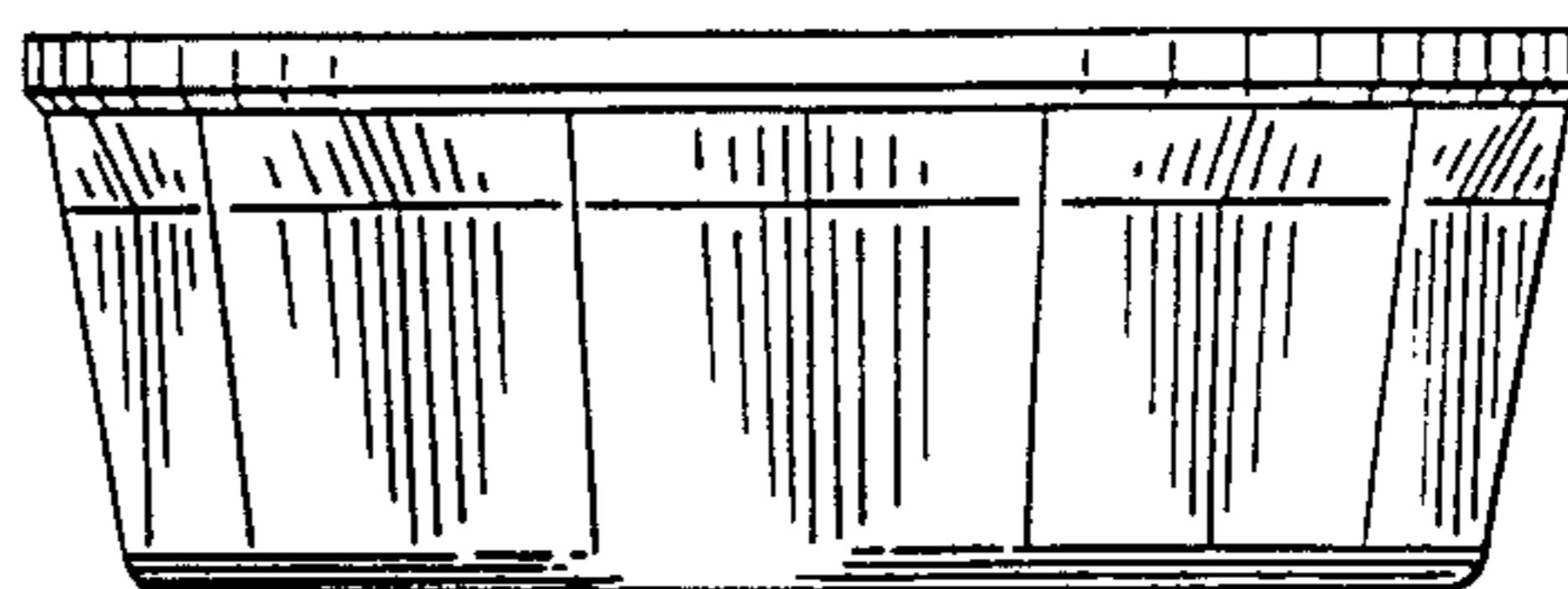
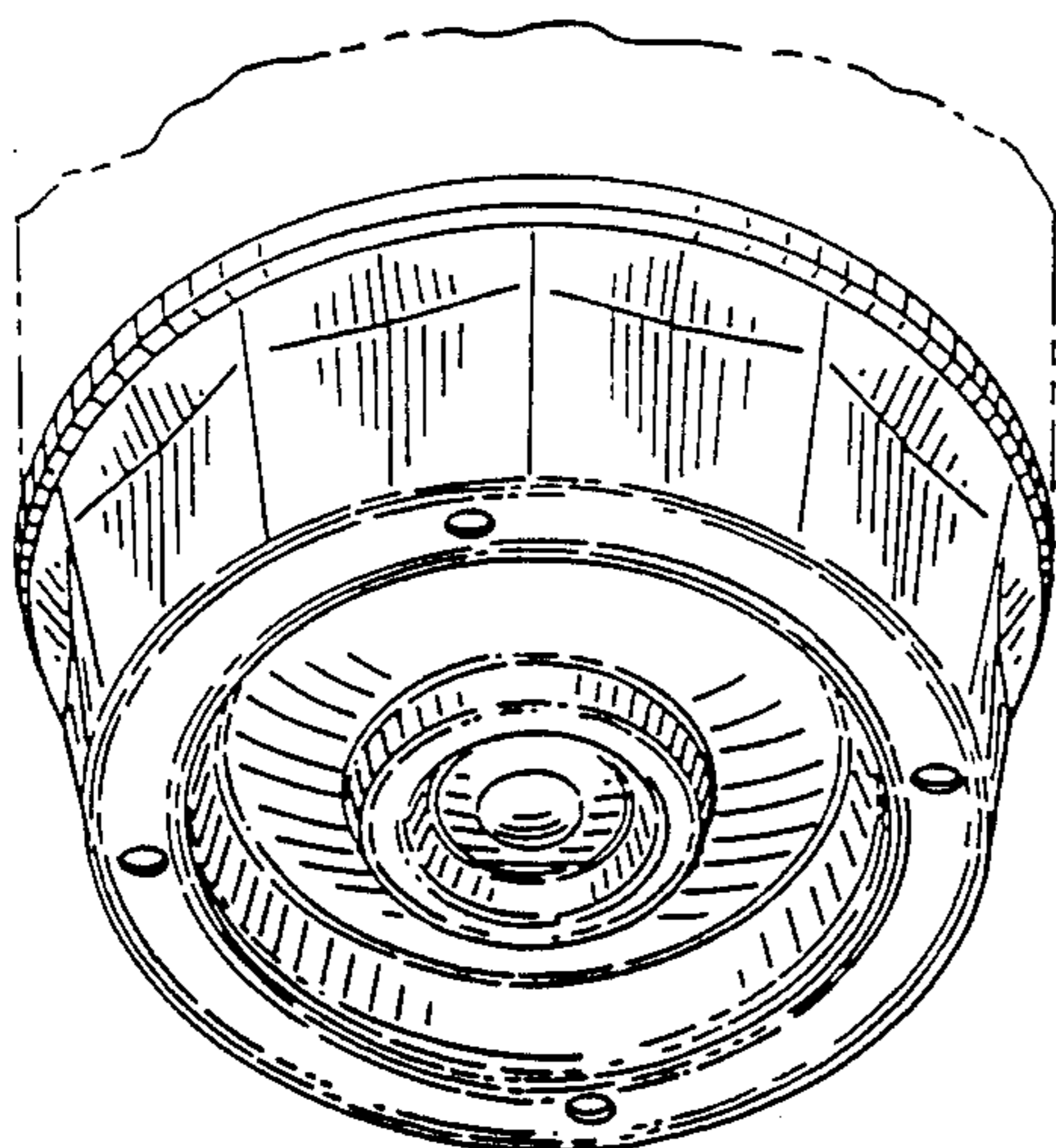


FIG. 1

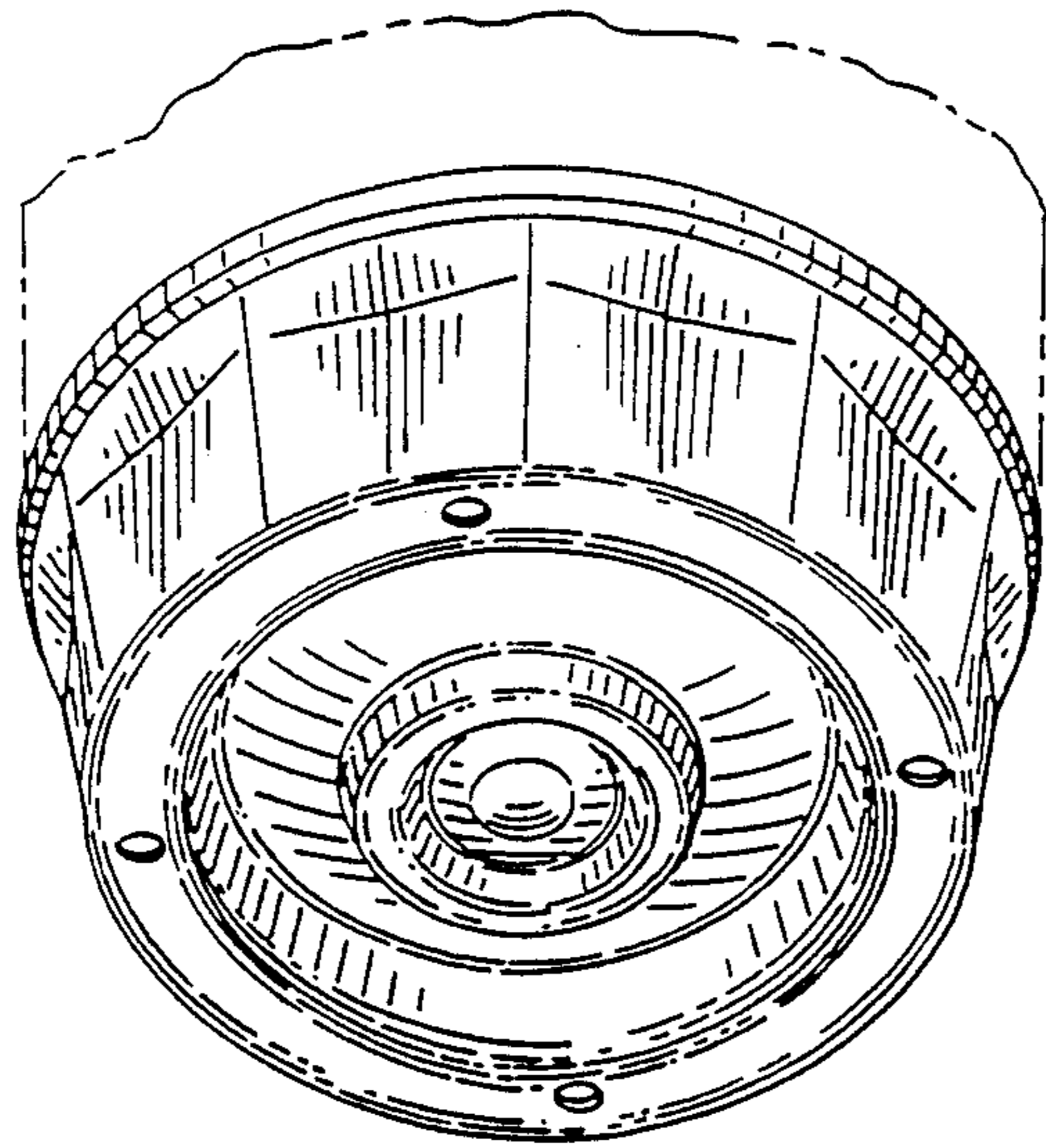


FIG. 2

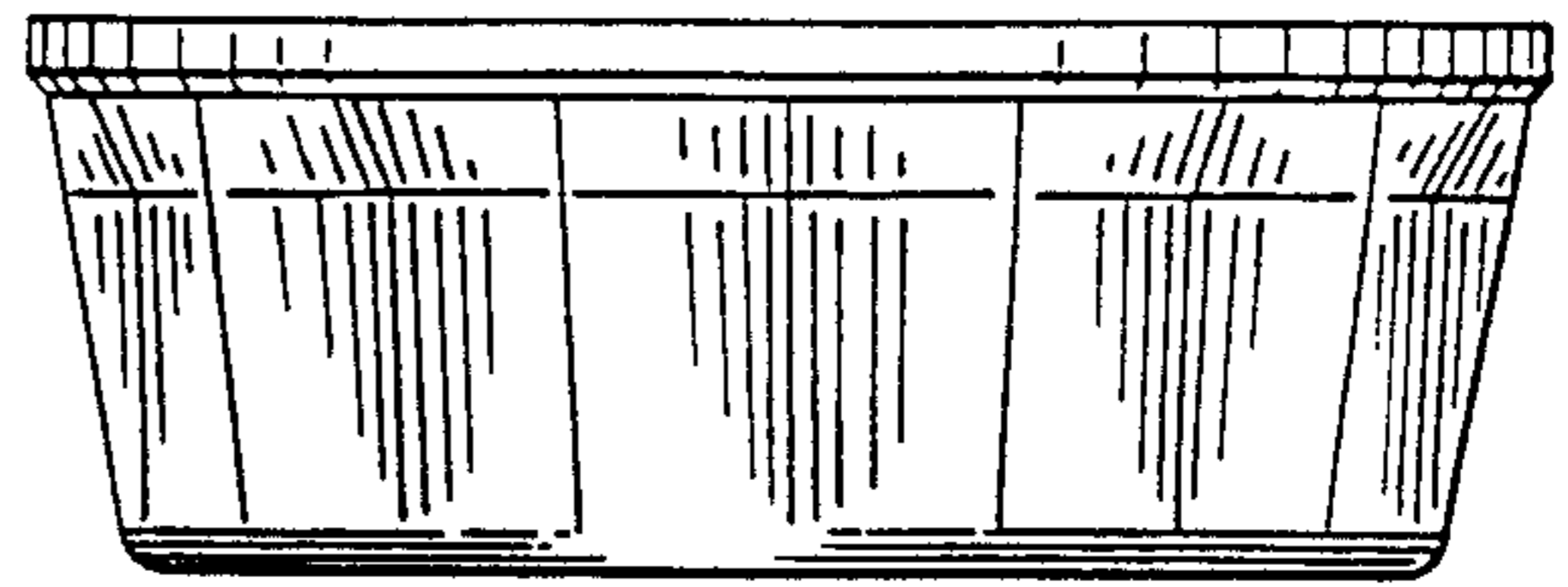


FIG. 3

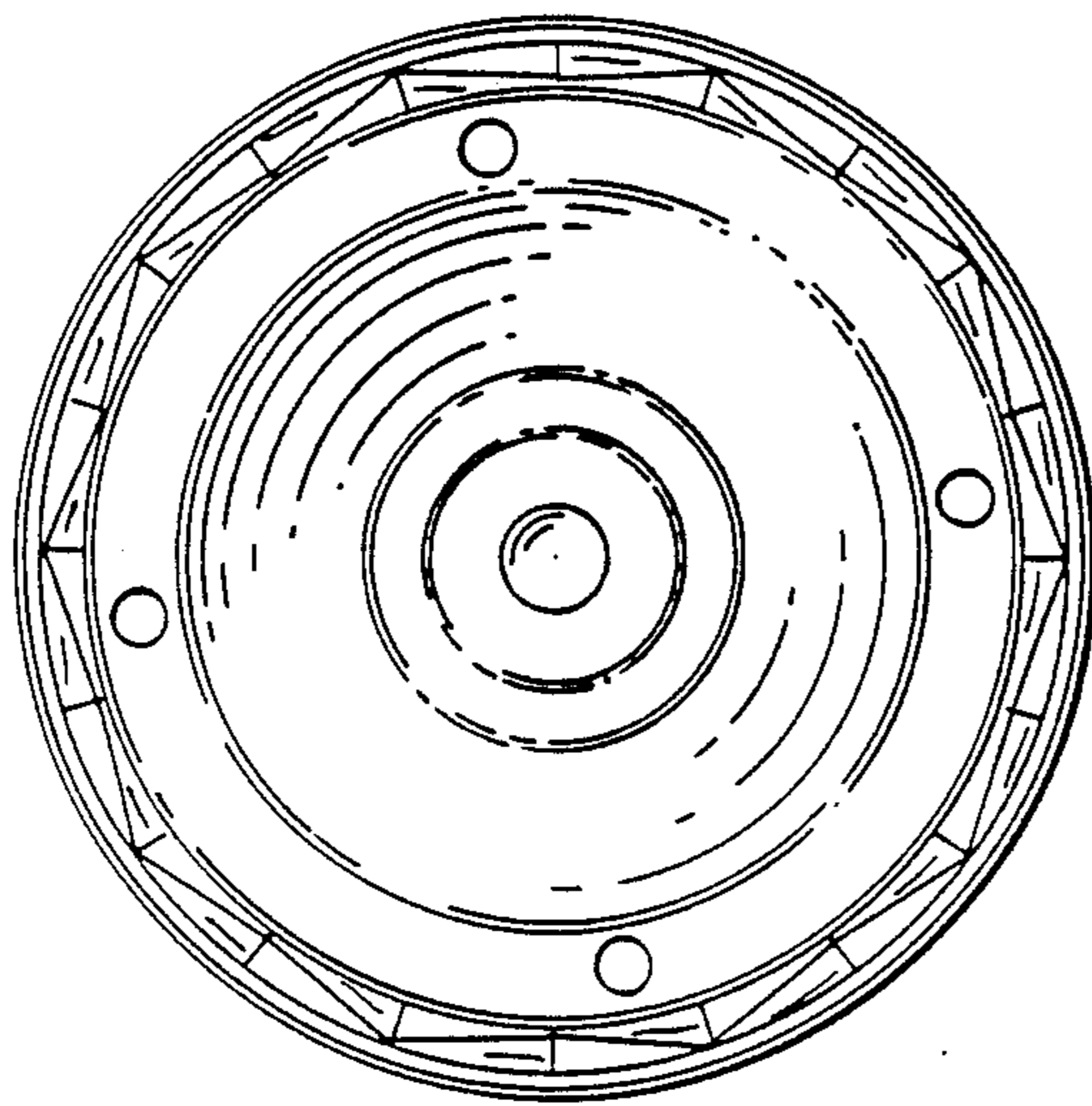


FIG. 4

