

[54] **CORNER STAY FOR A BOX**
[76] **Inventor: Herbert G. Sharp, 410 - 30 Rd.,
Grand Junction, Colo. 81504**
[**] **Term: 14 Years**
[21] **Appl. No.: 17,204**
[22] **Filed: Feb. 20, 1987**
[52] **U.S. Cl. D9/434**
[58] **Field of Search D9/434, 433; 220/3.9,
220/DIG. 1, 71, 73; 229/49-50, 199, 198.1,
198.3; 206/586; 217/69, 65; 403/401-405.1,
293, 295; D8/382, 383, 389, 403, 499**

3,294,223 12/1966 Goban D9/434 X
3,957,196 5/1976 Kellerman 206/586
4,296,524 10/1981 Hörholt et al. D8/372 X

FOREIGN PATENT DOCUMENTS

83026 6/1957 Denmark 217/69

Primary Examiner—Bernard Ansher
Assistant Examiner—C. Tuttle
Attorney, Agent, or Firm—Donald W. Erickson

[57] **CLAIM**

The ornamental design for a corner stay for a box, as shown and described.

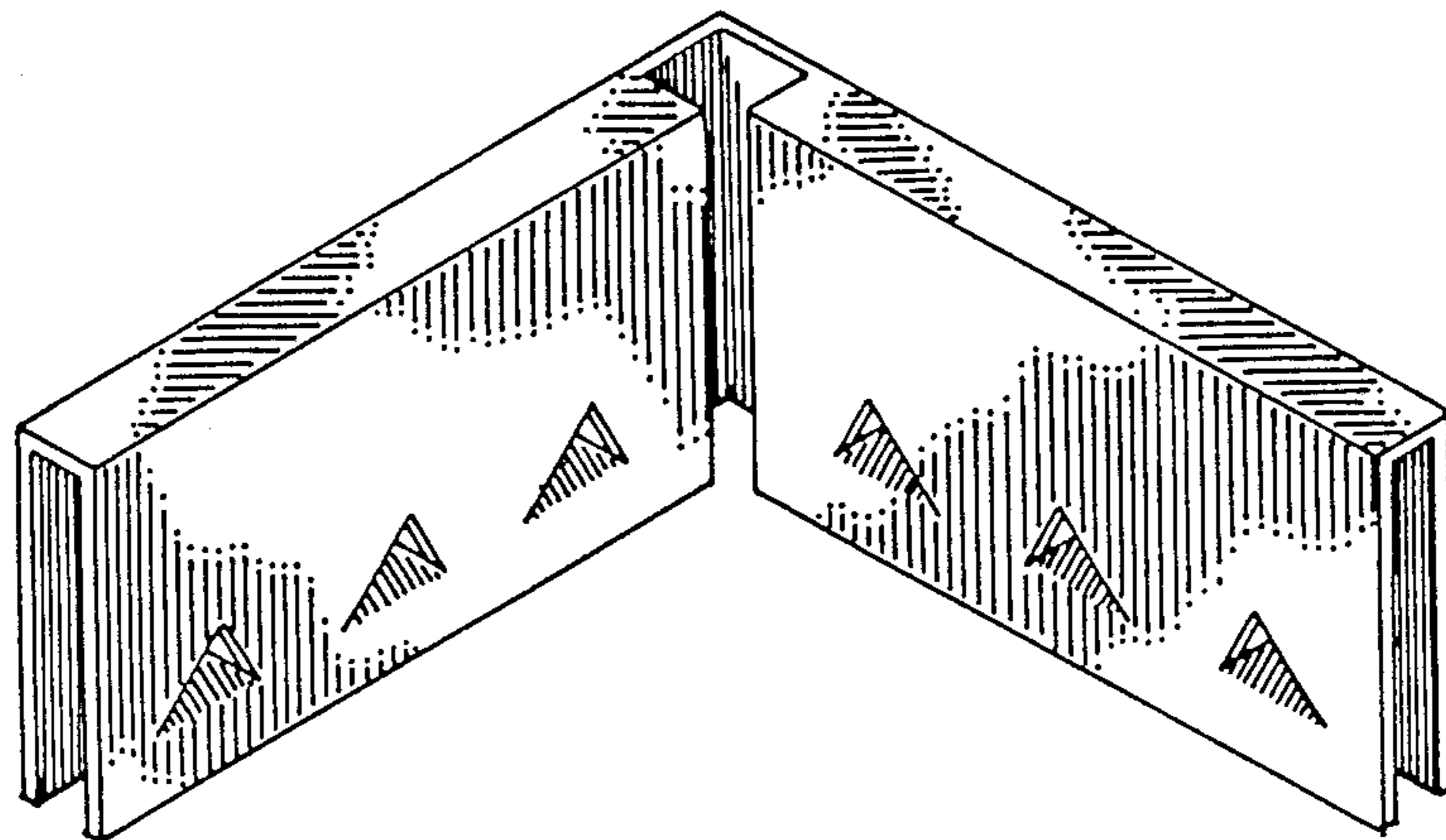
DESCRIPTION

FIG. 1 is a left side elevational view of a corner stay for a box showing my new design;
FIG. 2 is a top front perspective view thereof;
FIG. 3 is a bottom rear perspective view thereof; and
FIG. 4 is a bottom plan view thereof.

This invention is directed at a corner stay for a box of my new design. The corner saver is placed over the top edge of the corner of a box or the like and pressed together in order to protect the corner from separating or to repair a damaged corner.

[56] **References Cited**
U.S. PATENT DOCUMENTS

D. 140,286	2/1945	Dee	D9/434
182,165	9/1876	Cass et al.	229/49 X
D. 248,013	5/1978	Win	D8/380 X
749,834	1/1904	Beisel	D9/434 X
851,583	4/1907	Allen	229/198.1
991,037	5/1911	Spies	217/69
1,031,691	7/1912	Courville	217/69
1,675,654	7/1928	Mahar	229/49
2,184,829	12/1939	Zalkind	229/49



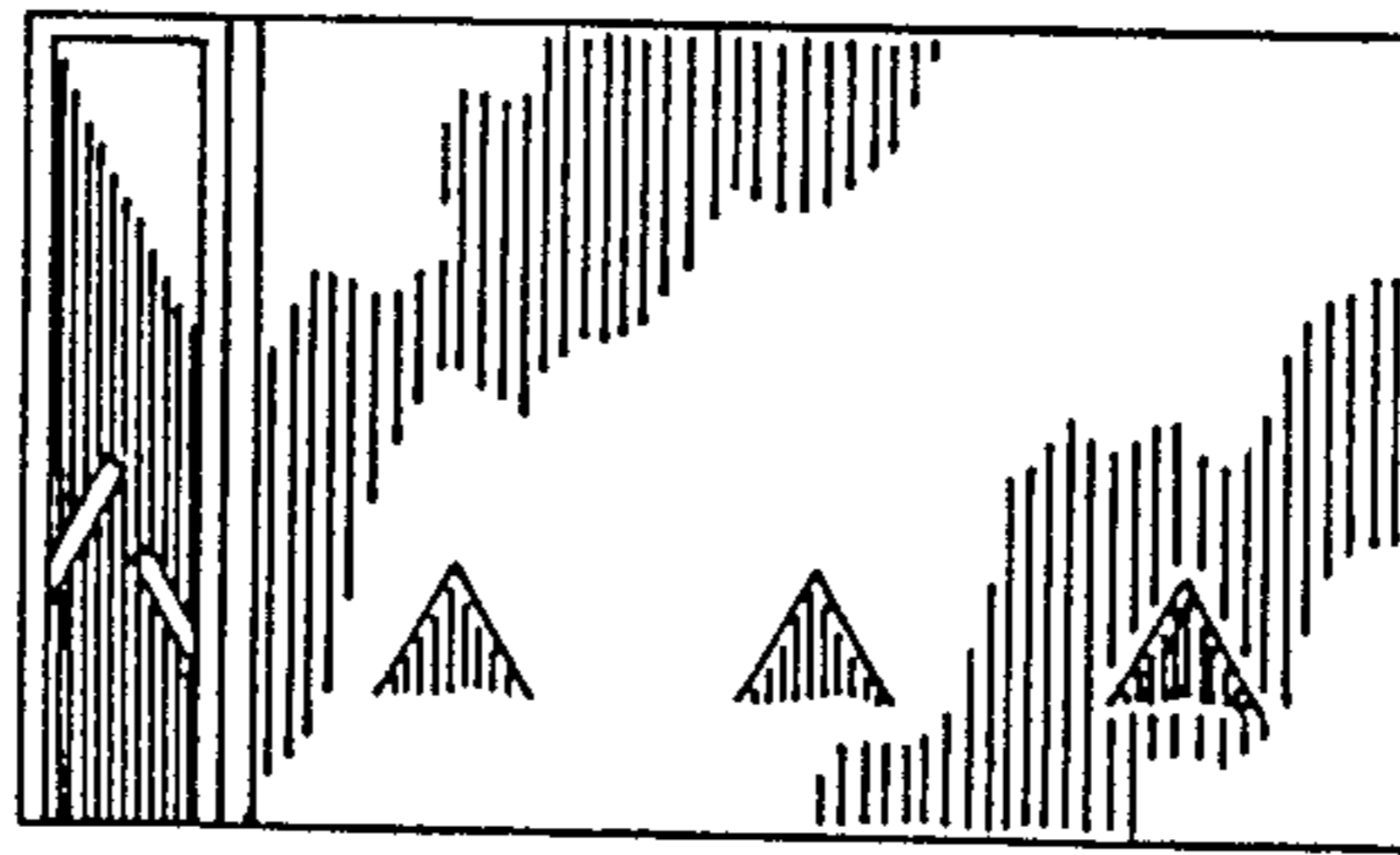


FIG. 1

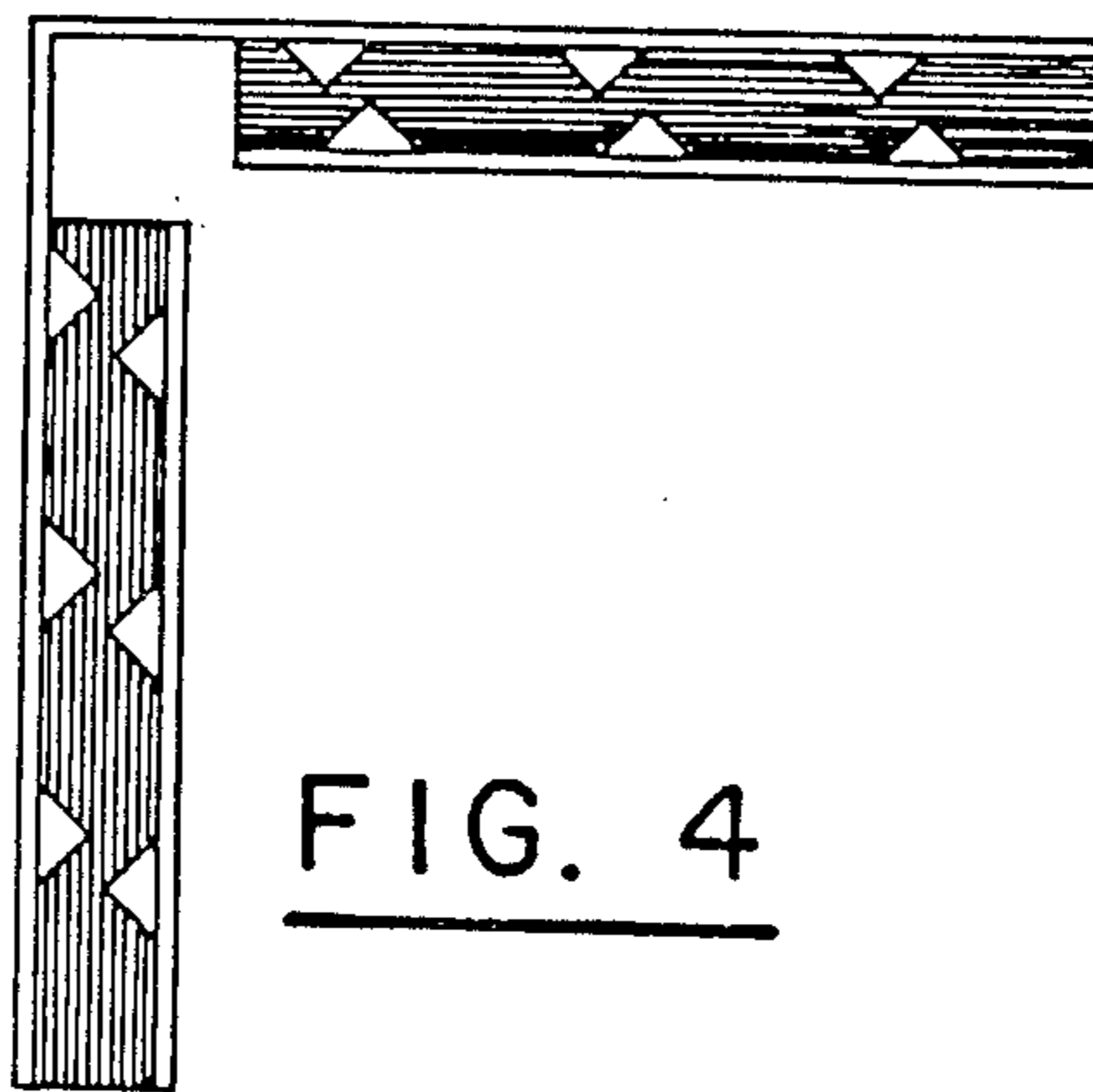


FIG. 4

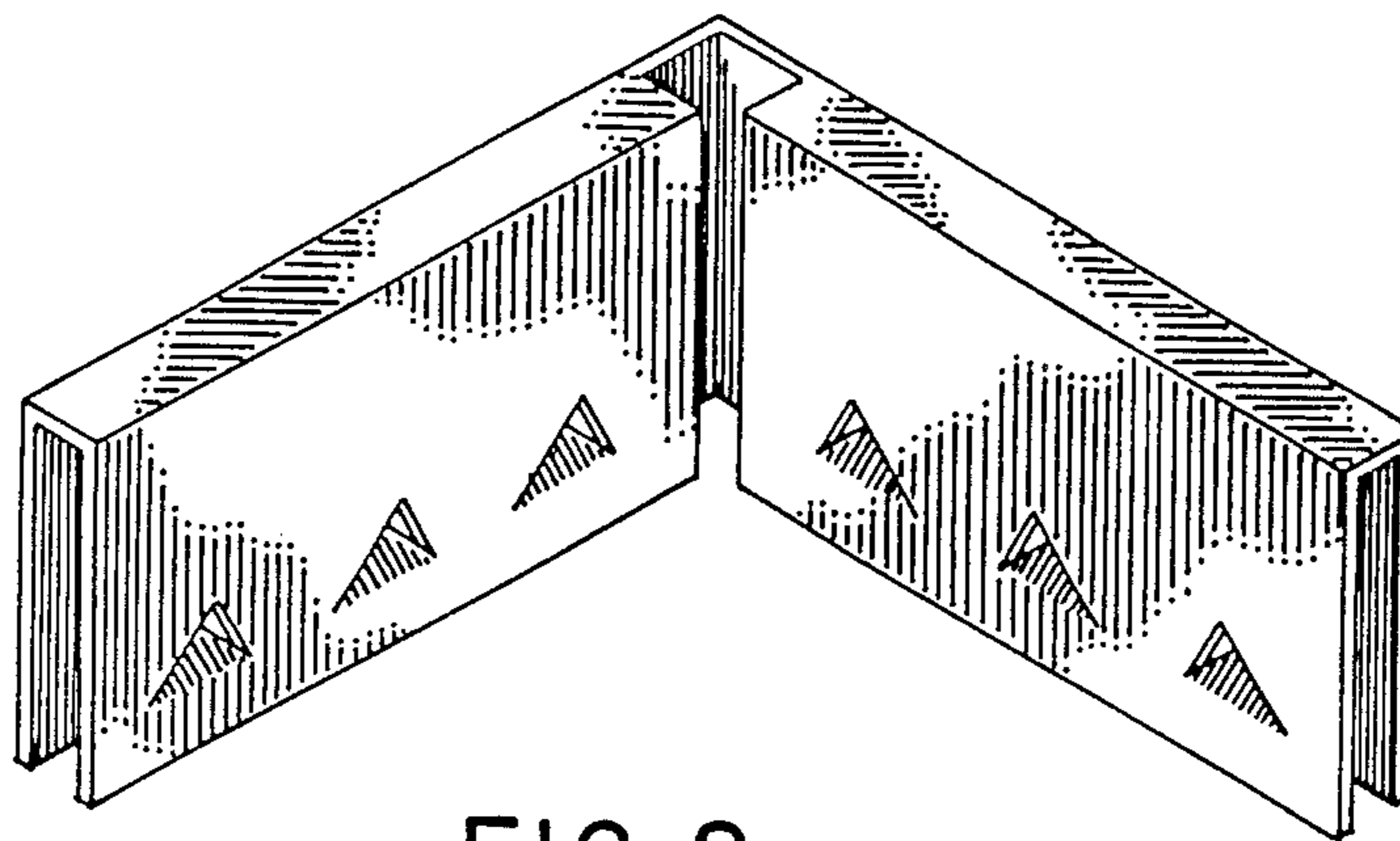


FIG. 2

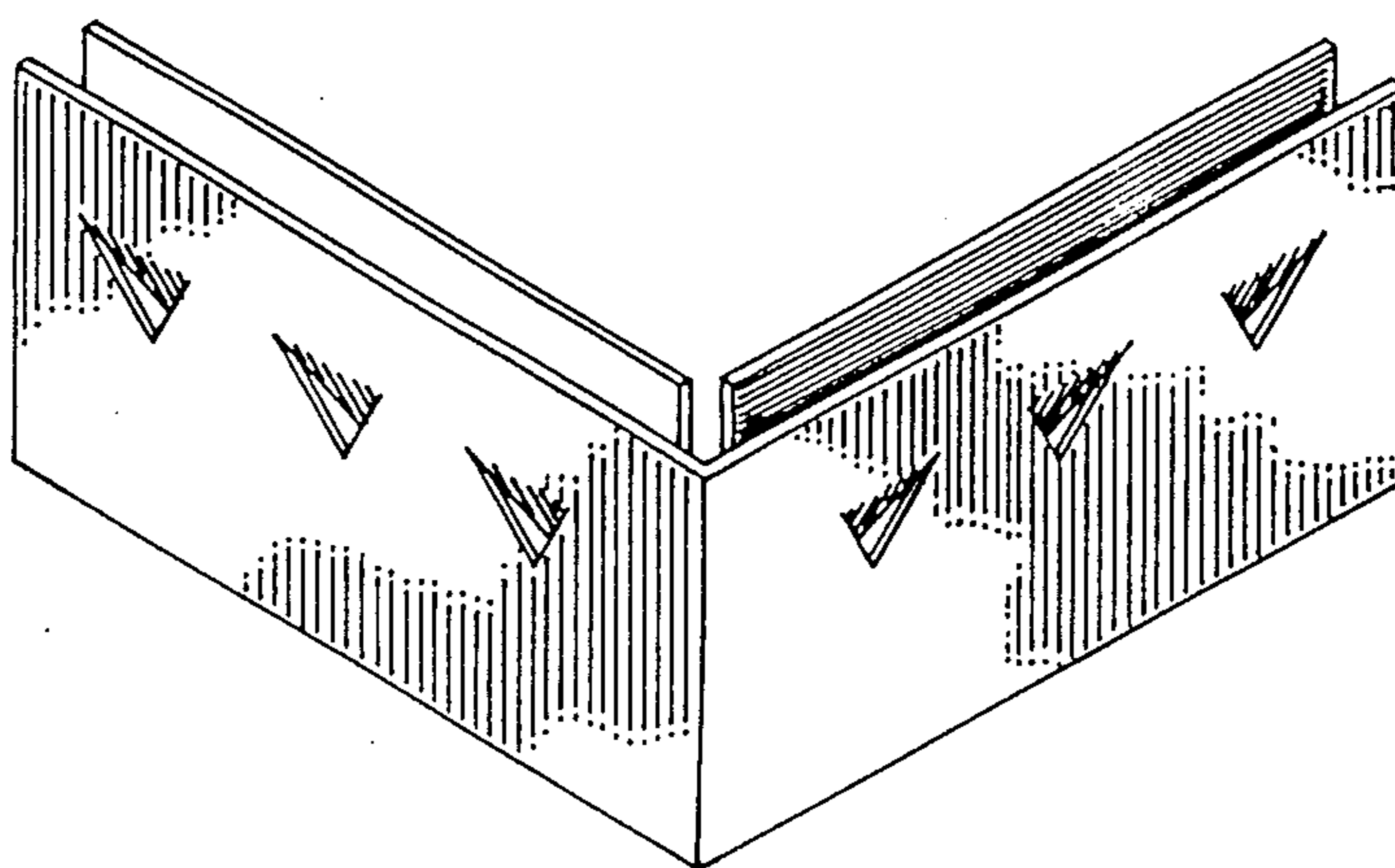


FIG. 3