

[54] PACKAGE FOR A DISPOSABLE CAMERA

[75] Inventors: Takuya Arai; Kimiaki Nakada, both of Tokyo, Japan

[73] Assignee: Fuji Photo Film Co., Ltd., Kanagawa, Japan

[**] Term: 14 Years

[21] Appl. No.: 15,254

[22] Filed: Feb. 13, 1987

[30] Foreign Application Priority Data

Jun. 30, 1986 [JP] Japan 61-25409

Aug. 13, 1986 [JP] Japan 61-31758

[52] U.S. Cl. D9/432; D16/200; D16/208

[58] Field of Search D9/307, 414, 415, 432; D14/121; D16/200, 218; 206/316.2, 455, 456; 150/165; 224/908; 354/174, 126, 406, 400, 275, 288

[56] References Cited

U.S. PATENT DOCUMENTS

D. 29,376 9/1898 Brownell D16/200

D. 73,750	11/1927	Lehr	D16/218
D. 74,211	1/1928	Bornmann	D16/218
D. 83,021	1/1931	Teague	D16/218
D. 284,654	9/1986	Sandell et al.	D14/121
D. 291,579	8/1987	Ito et al.	D16/218 X
2,072,625	3/1937	Rose	D14/121 X

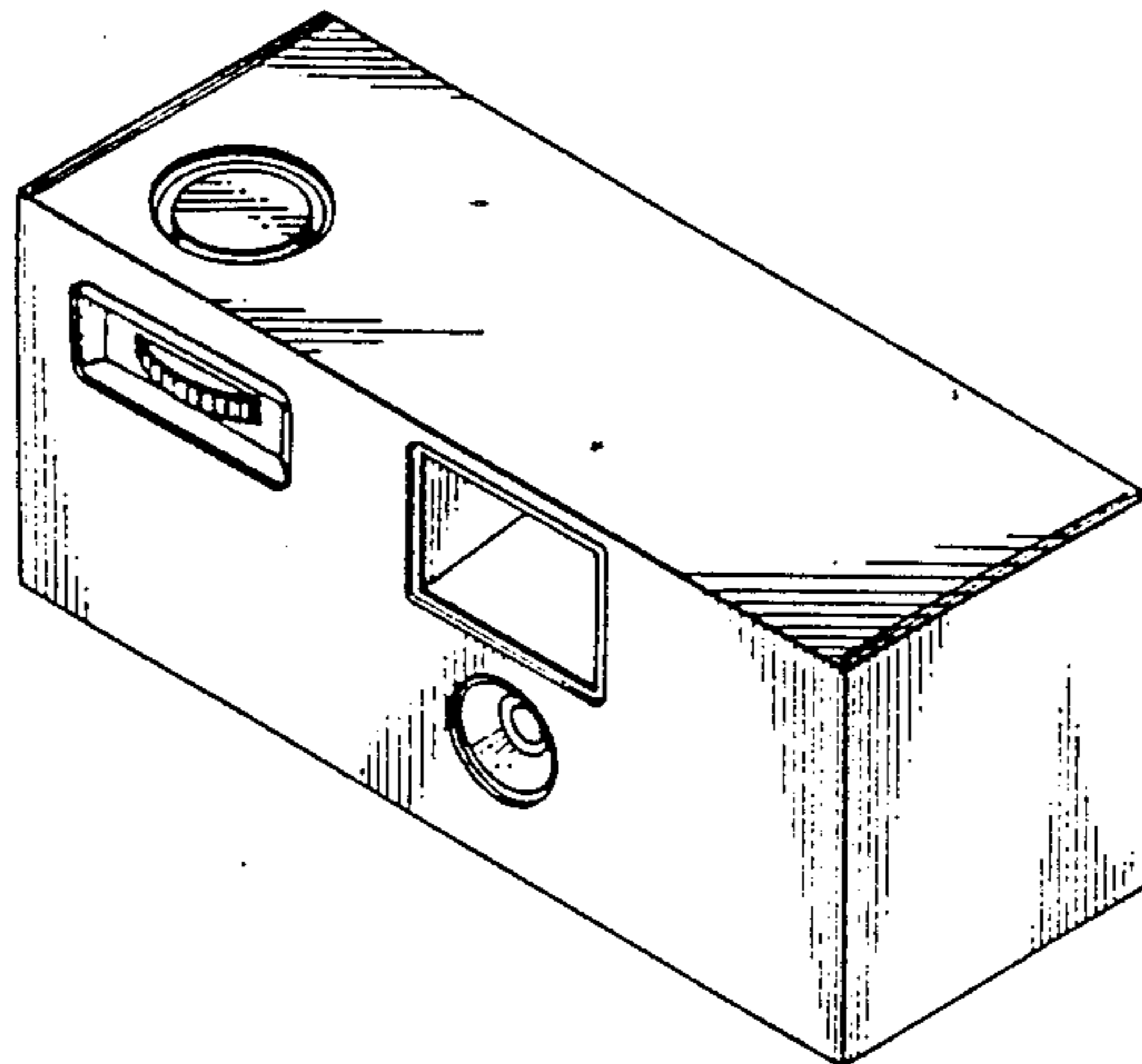
Primary Examiner—Bernard Ansher
Assistant Examiner—Prabhakar Deshmukh
Attorney, Agent, or Firm—Young & Thompson

[57] CLAIM

The ornamental design for a package for a disposable camera, as shown and described.

DESCRIPTION

FIG. 1 is a perspective view of a package for a disposable camera showing our new design;
FIG. 2 is a front elevational view thereof;
FIG. 3 is a rear elevational view thereof;
FIG. 4 is an end elevational view thereof from the left of FIG. 2;
FIG. 5 is an end elevational view thereof from the right of FIG. 2;
FIG. 6 is a top plan view thereof; and
FIG. 7 is a bottom plan view thereof.



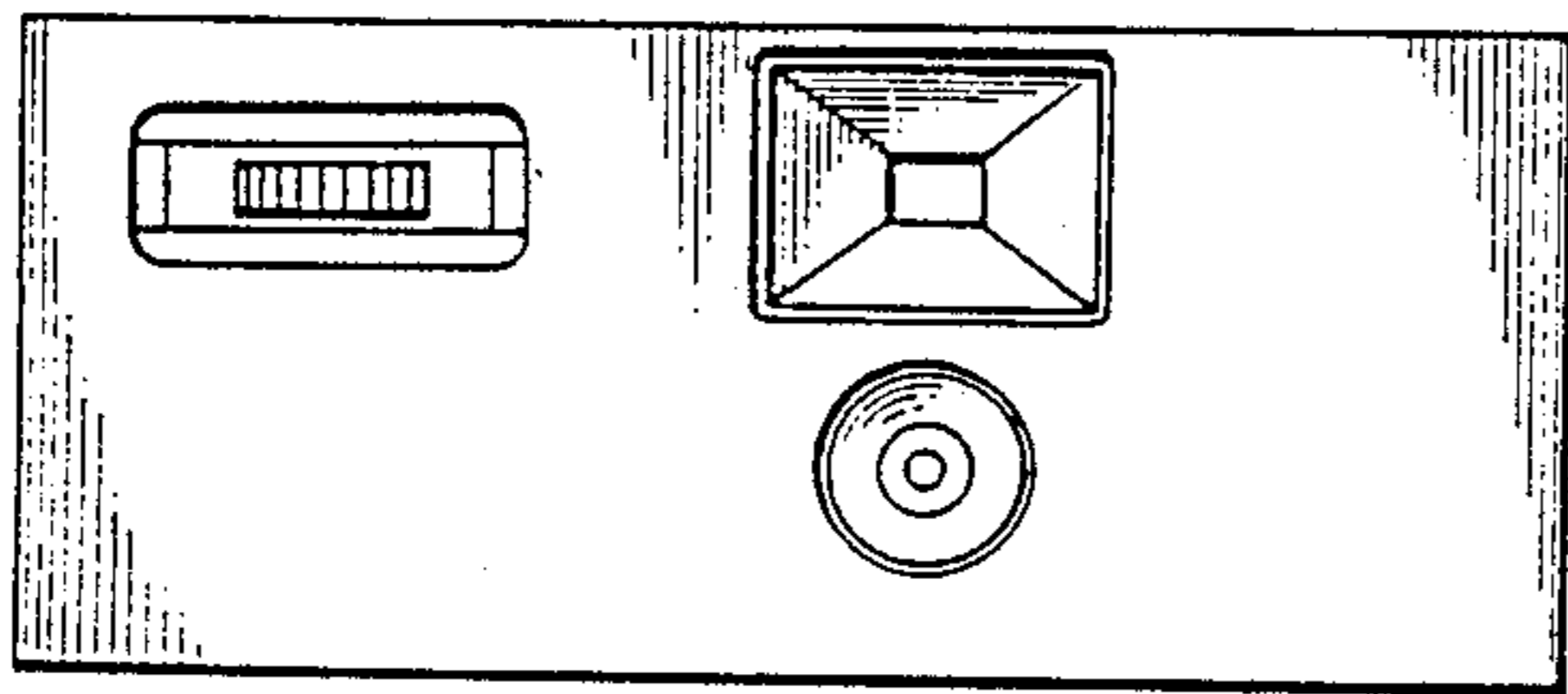
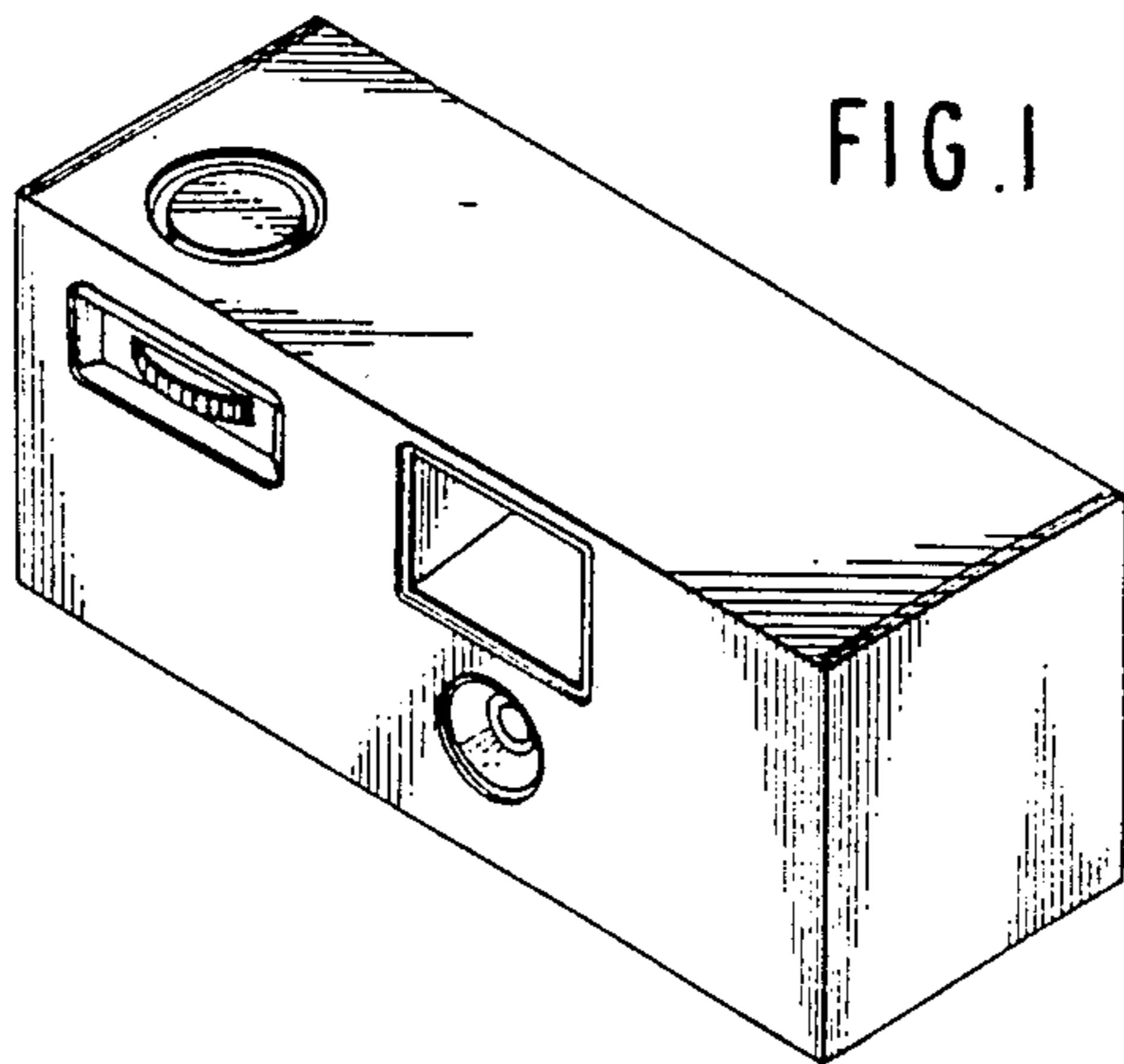


FIG. 2

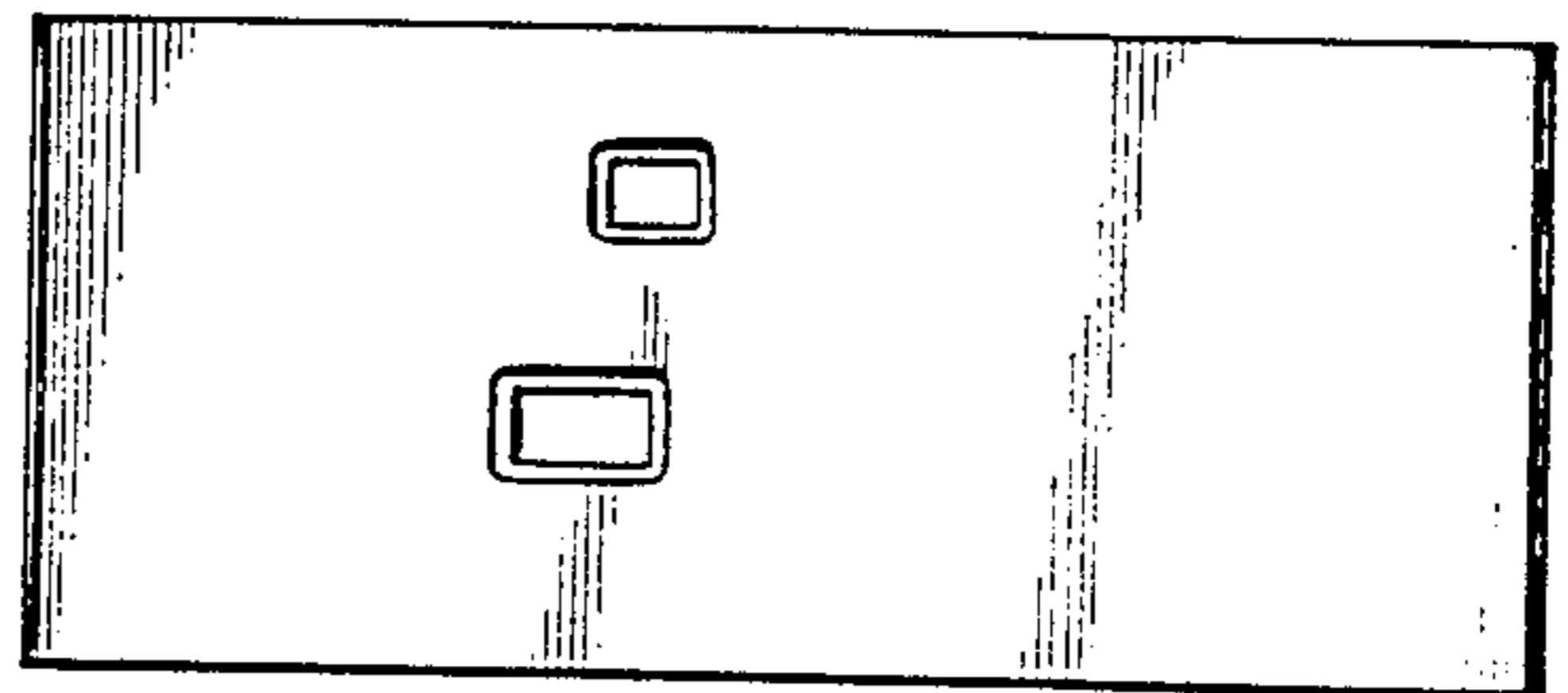


FIG. 3

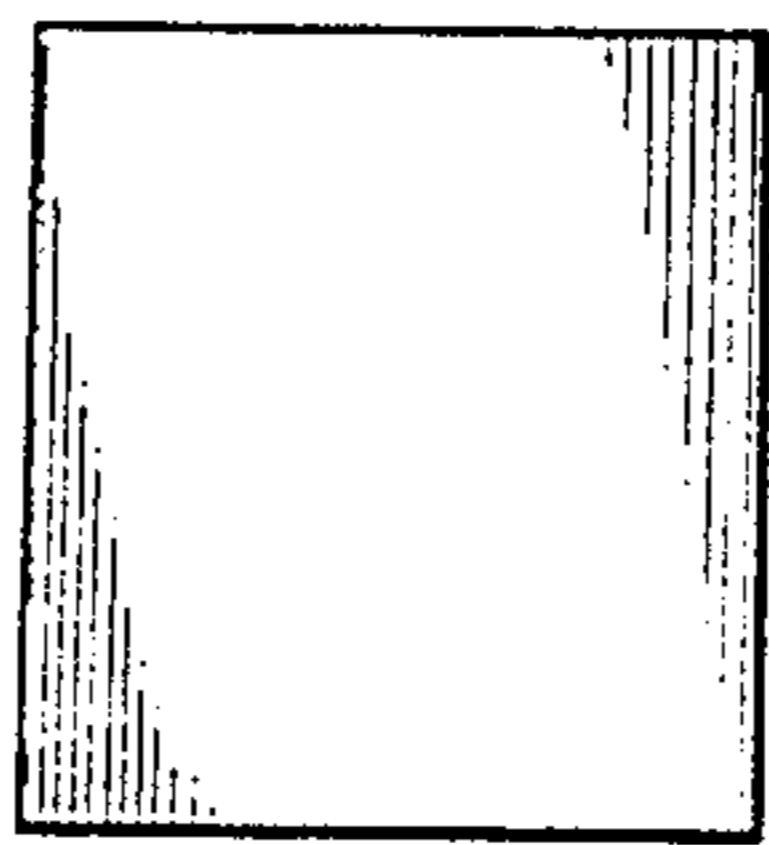


FIG. 4

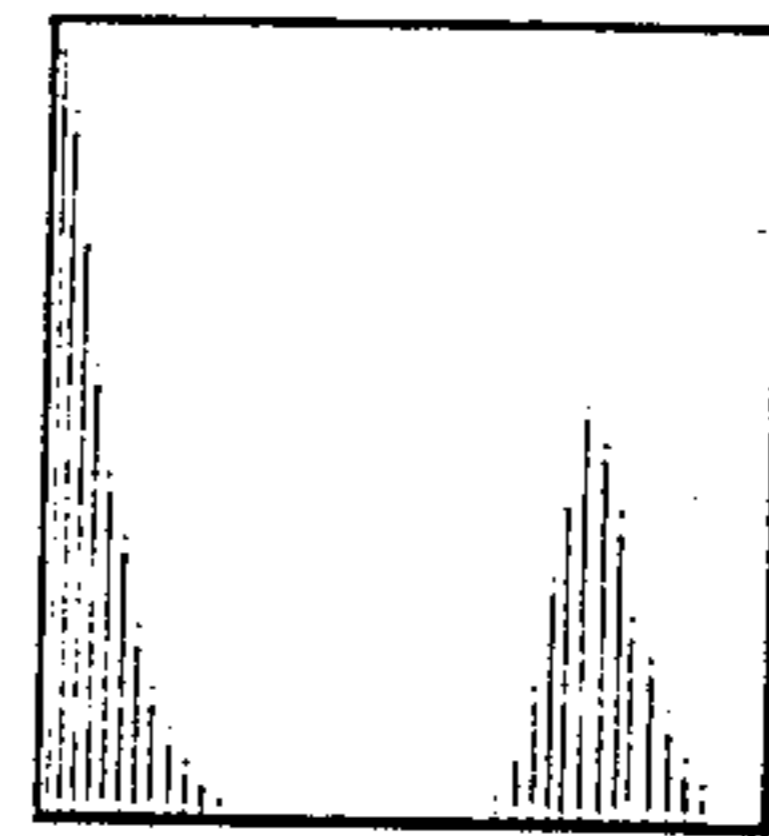


FIG. 5

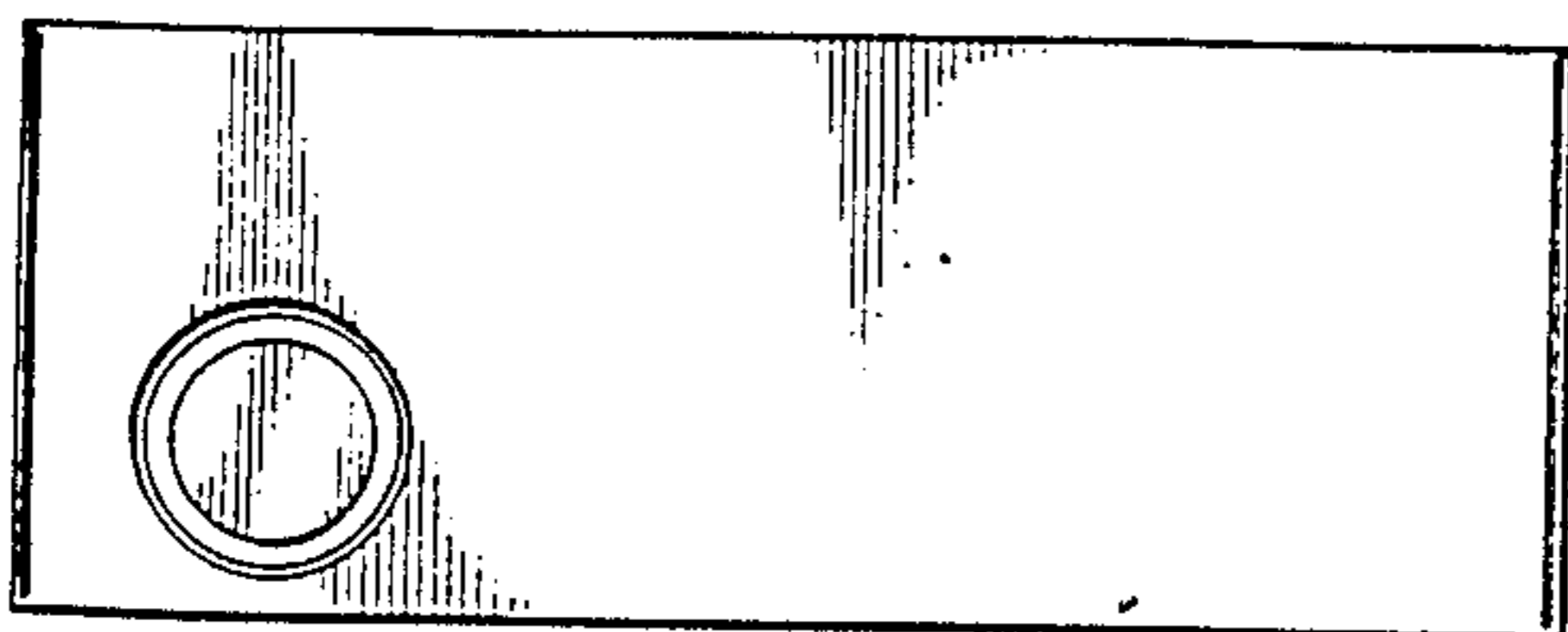


FIG. 6

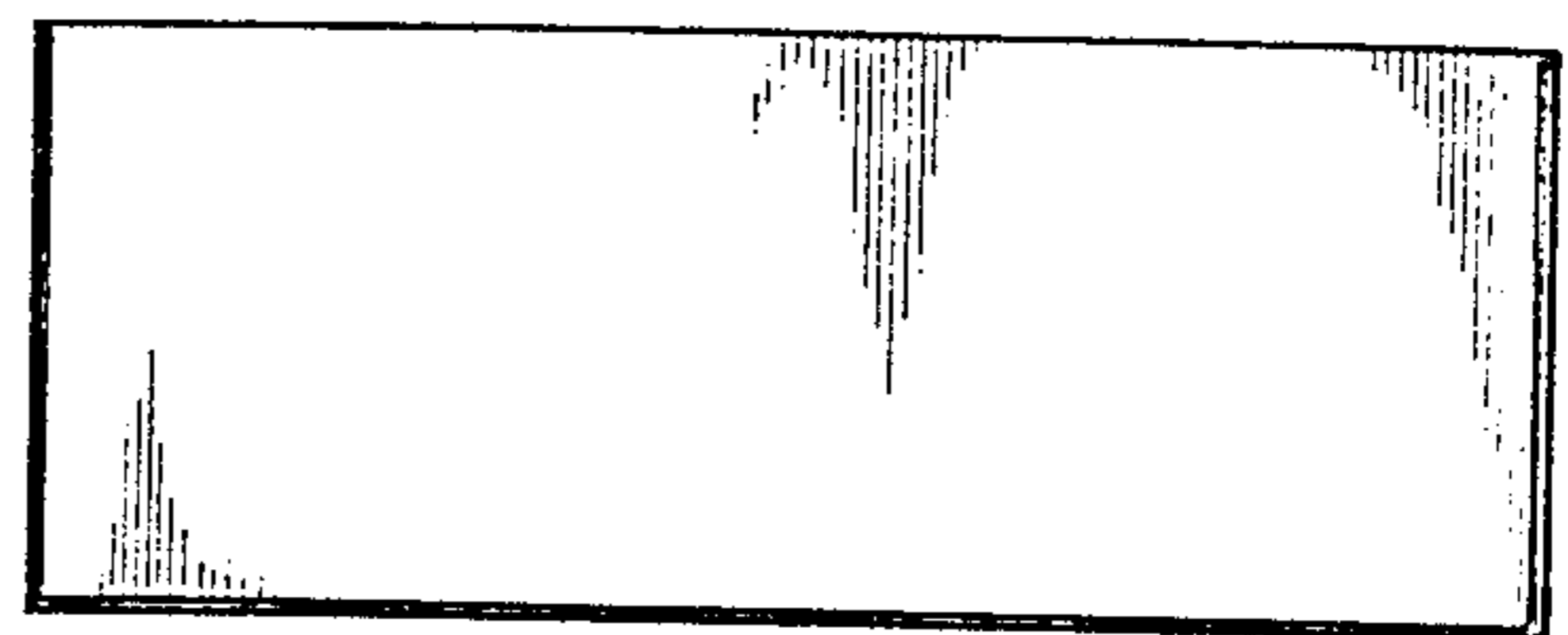


FIG. 7