

[54] **CEILING TILE SECTION SUPPORT WEDGE**
[76] **Inventor: Harold J. Paul, 2015 Magnolia Ave., Pensacola, Fla. 32503**
[**] **Term: 14 Years**
[21] **Appl. No.: 117,134**
[22] **Filed: Nov. 5, 1987**
[52] **U.S. Cl. D8/389; D8/373**
[58] **Field of Search D8/389, 390, 391, 381, D8/373; 52/361**

2,258,574 10/1941 Leary 72/118
2,807,063 9/1957 Berow 20/92
3,261,137 7/1966 Jureit 52/483
3,331,180 7/1967 Vissing 52/714
3,476,634 11/1969 Fleischmann 161/38

Primary Examiner—Horace B. Fay, Jr.
Attorney, Agent, or Firm—George A. Bode

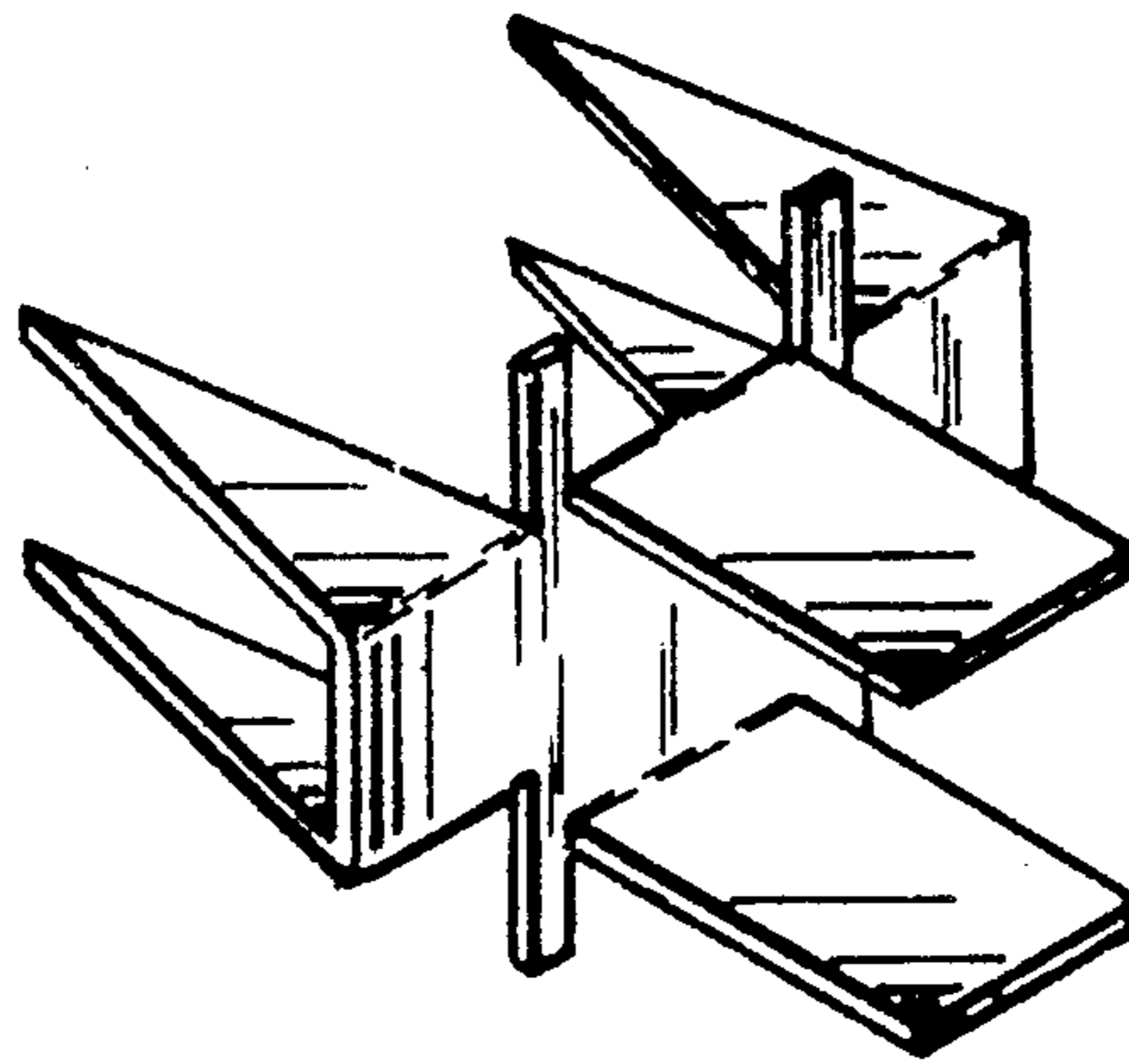
[57] **CLAIM**

The ornamental design for a ceiling tile section support wedge, as shown and described.

DESCRIPTION

FIG. 1 is a top plan view of a ceiling tile section support wedge showing my new design;
FIG. 2 is a front elevational view thereof;
FIGS. 3 and 4 are respectively opposite end elevational views thereof;
FIG. 5 is a bottom plan view thereof;
FIG. 6 is a rear elevational view thereof; and
FIG. 7 is a bottom perspective view thereof.

[56] **References Cited**
U.S. PATENT DOCUMENTS
1,905,616 4/1933 Zanella 52/715
1,990,276 2/1935 Dexter D8/389
1,998,688 4/1935 Robinson et al. 52/361
2,084,544 6/1937 Wilson 52/715
2,129,975 9/1938 Clebain 52/361
2,200,649 5/1940 Wardle 20/5



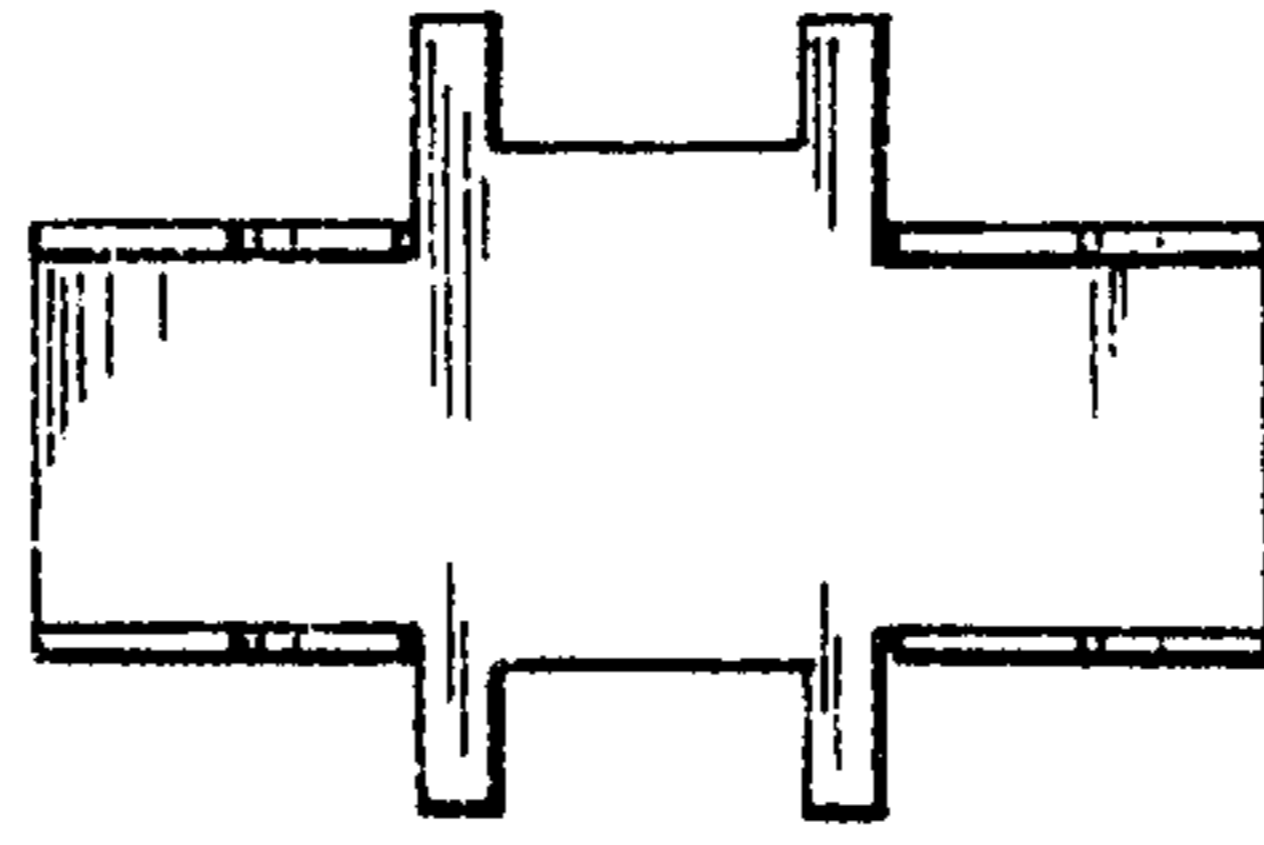


FIG. 1

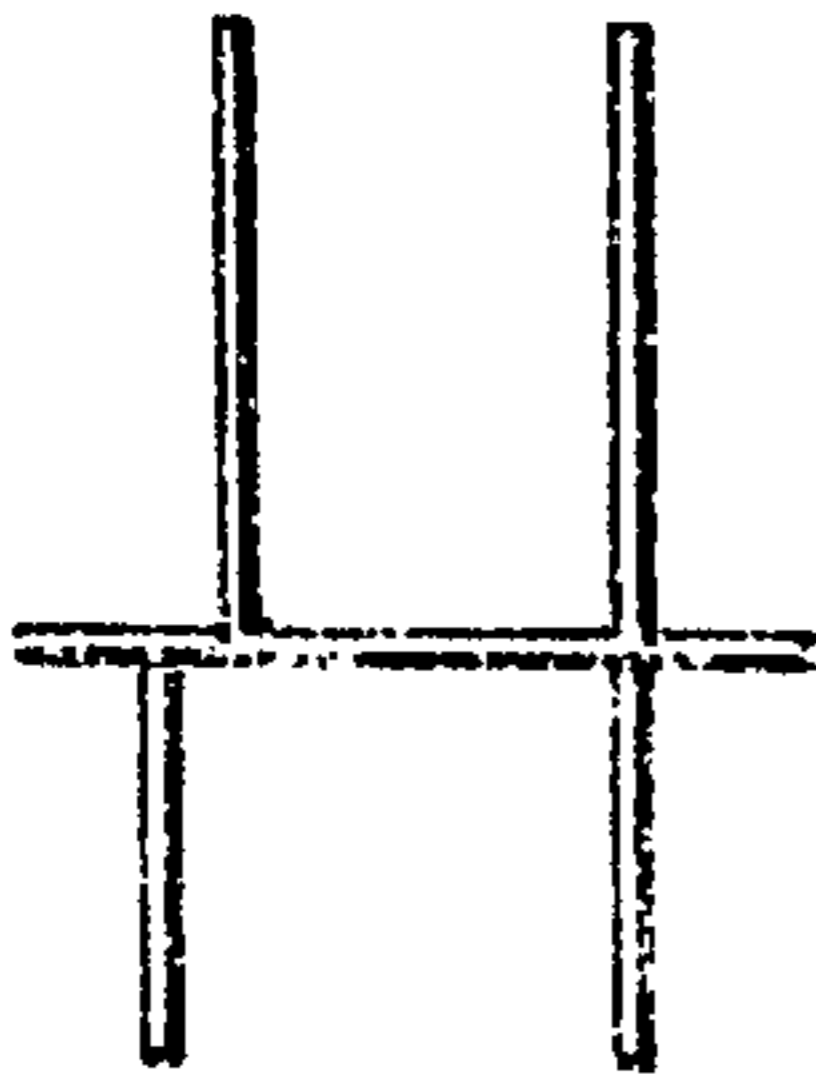


FIG. 3

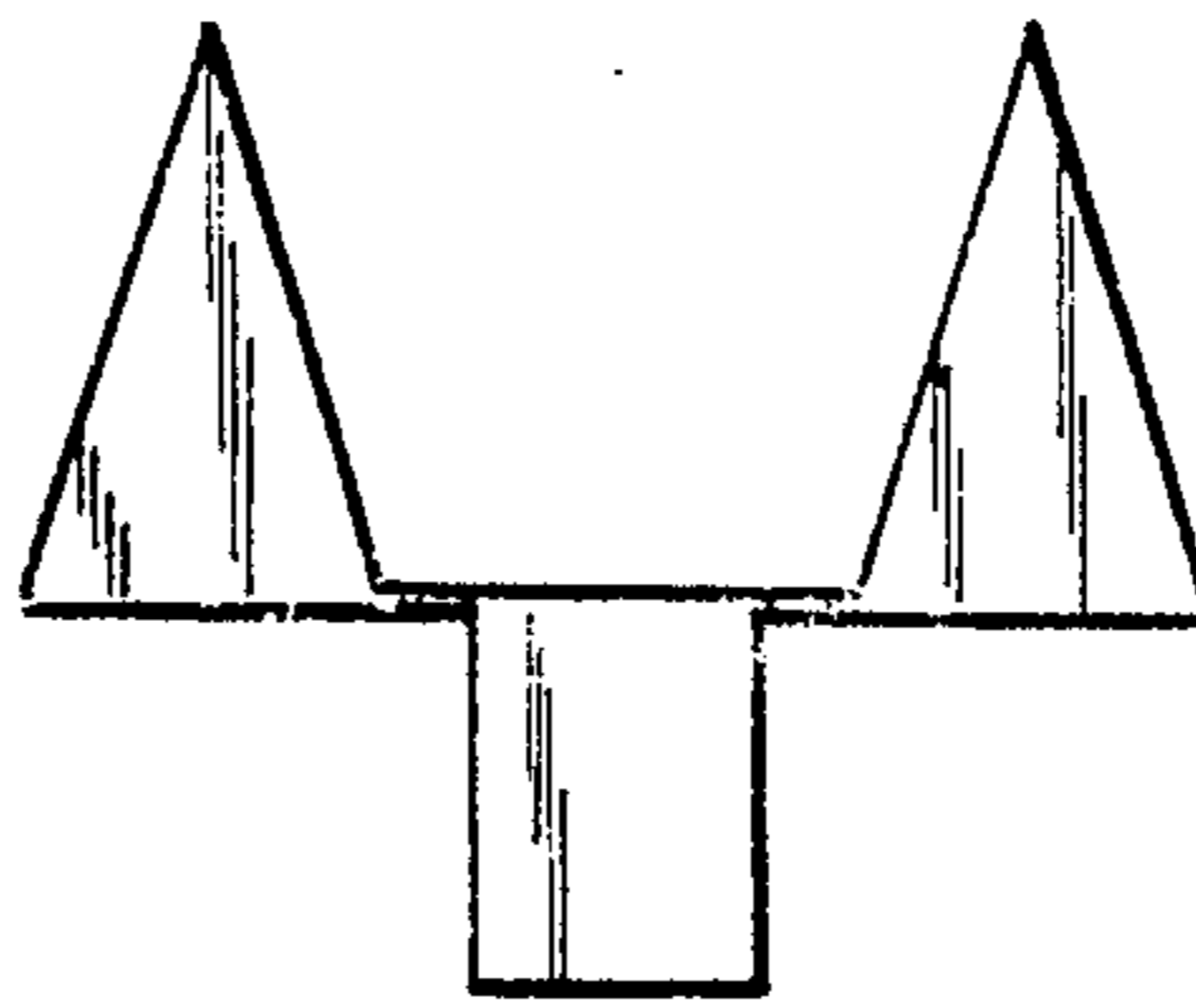


FIG. 2

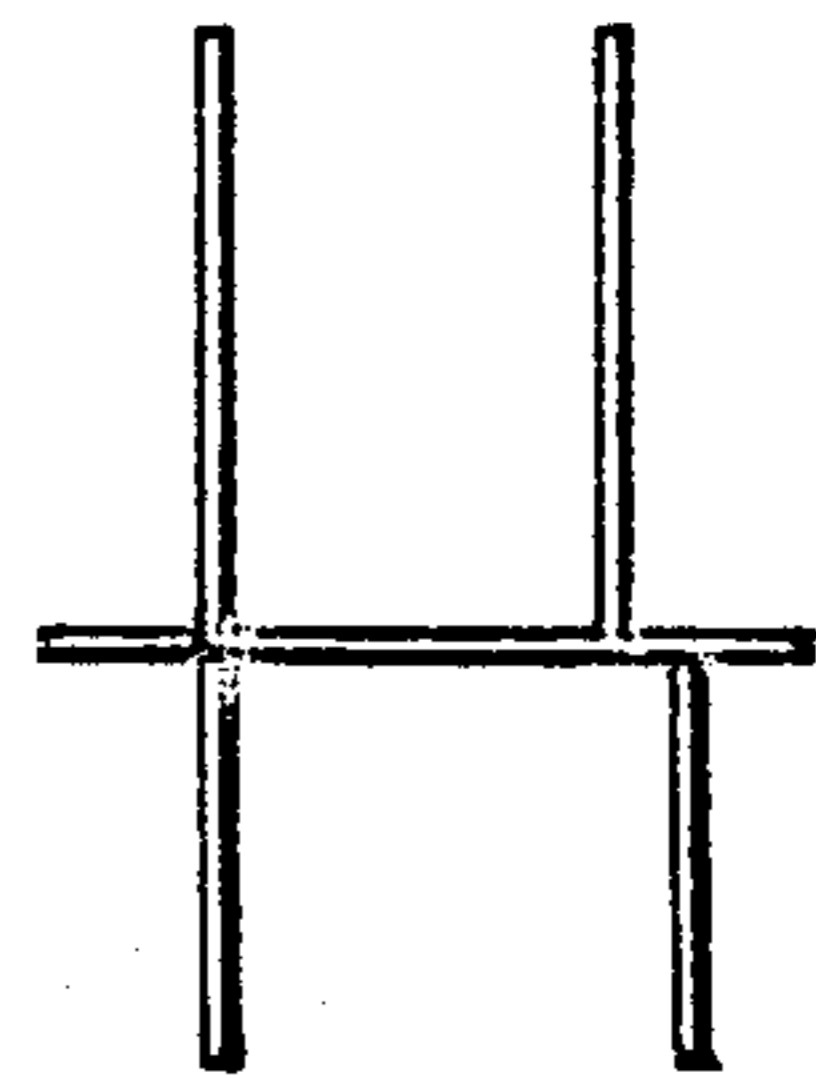


FIG. 4

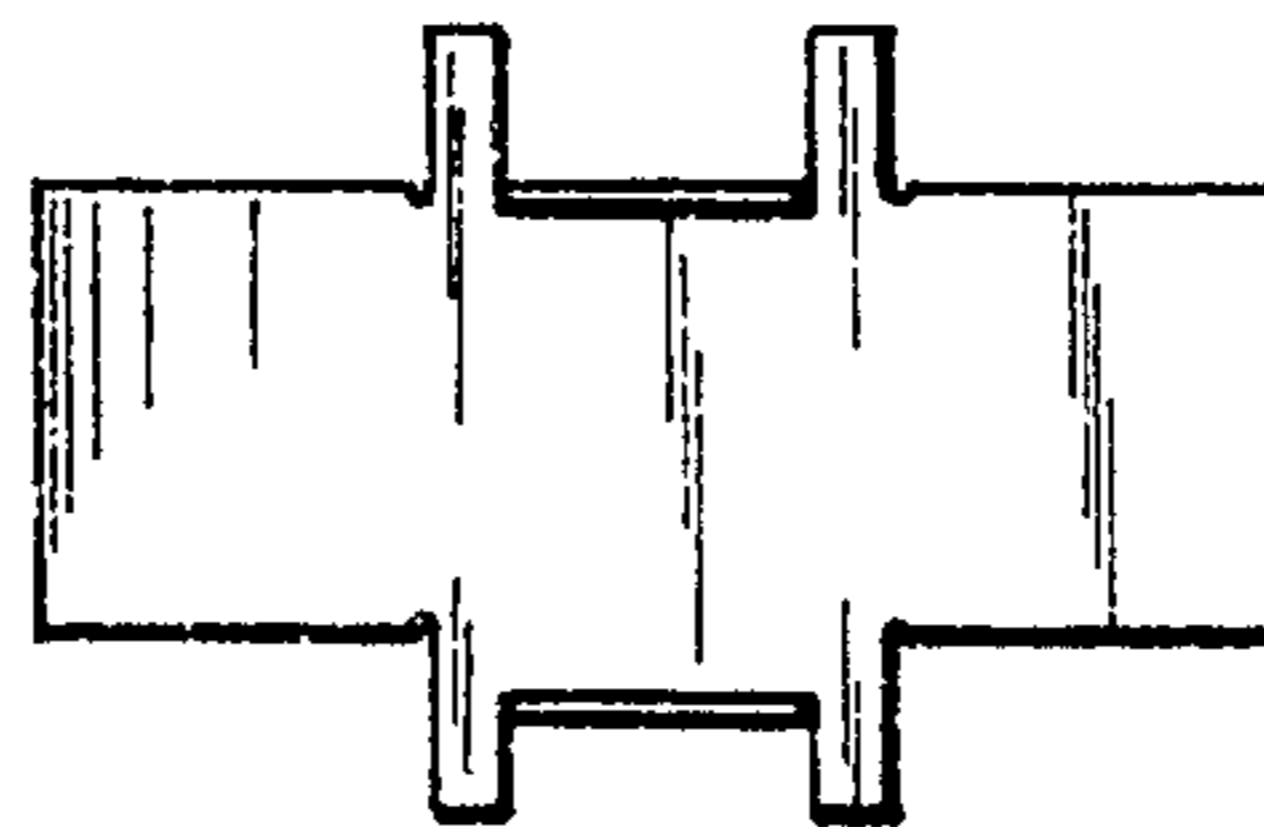


FIG. 5

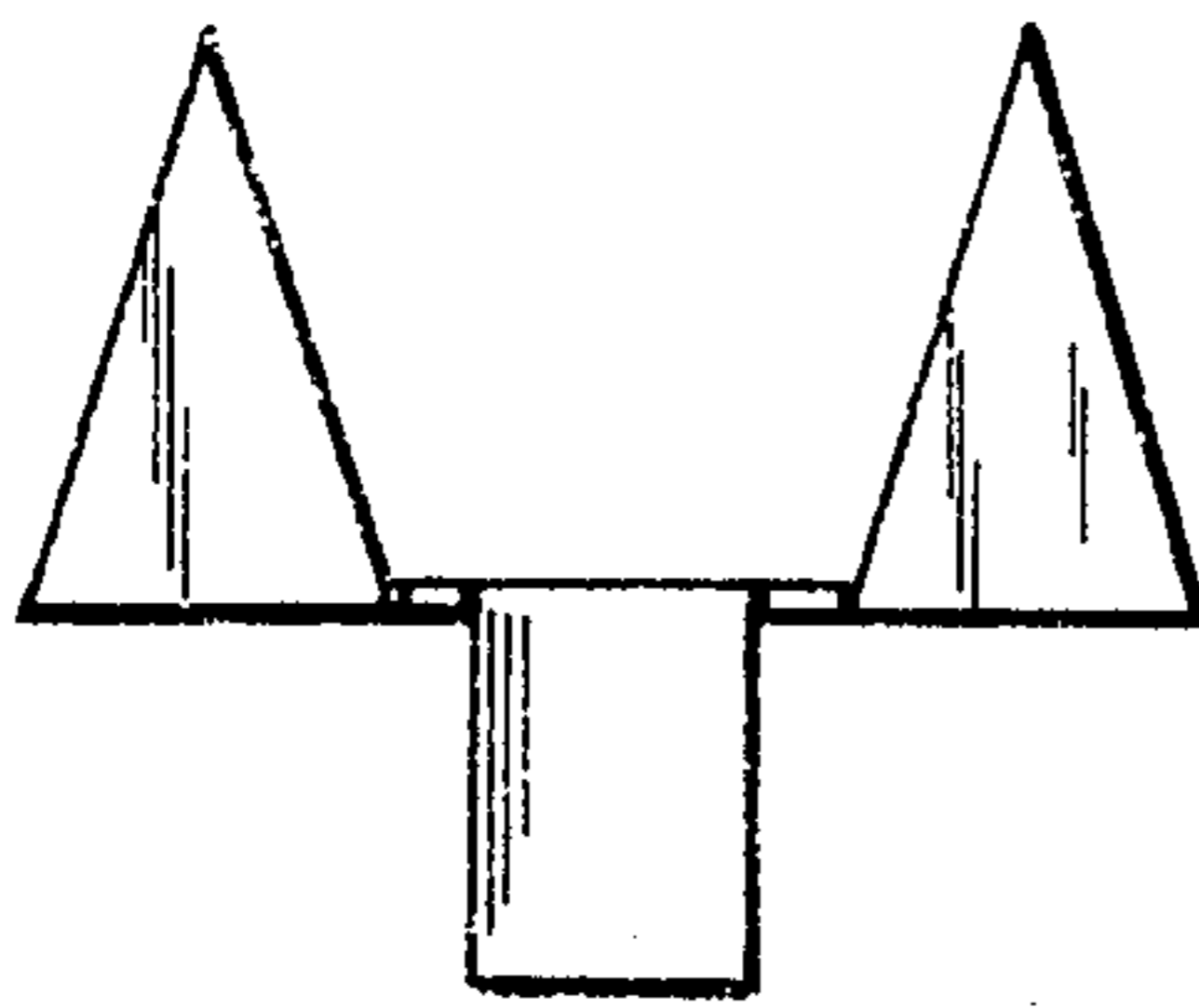


FIG. 6

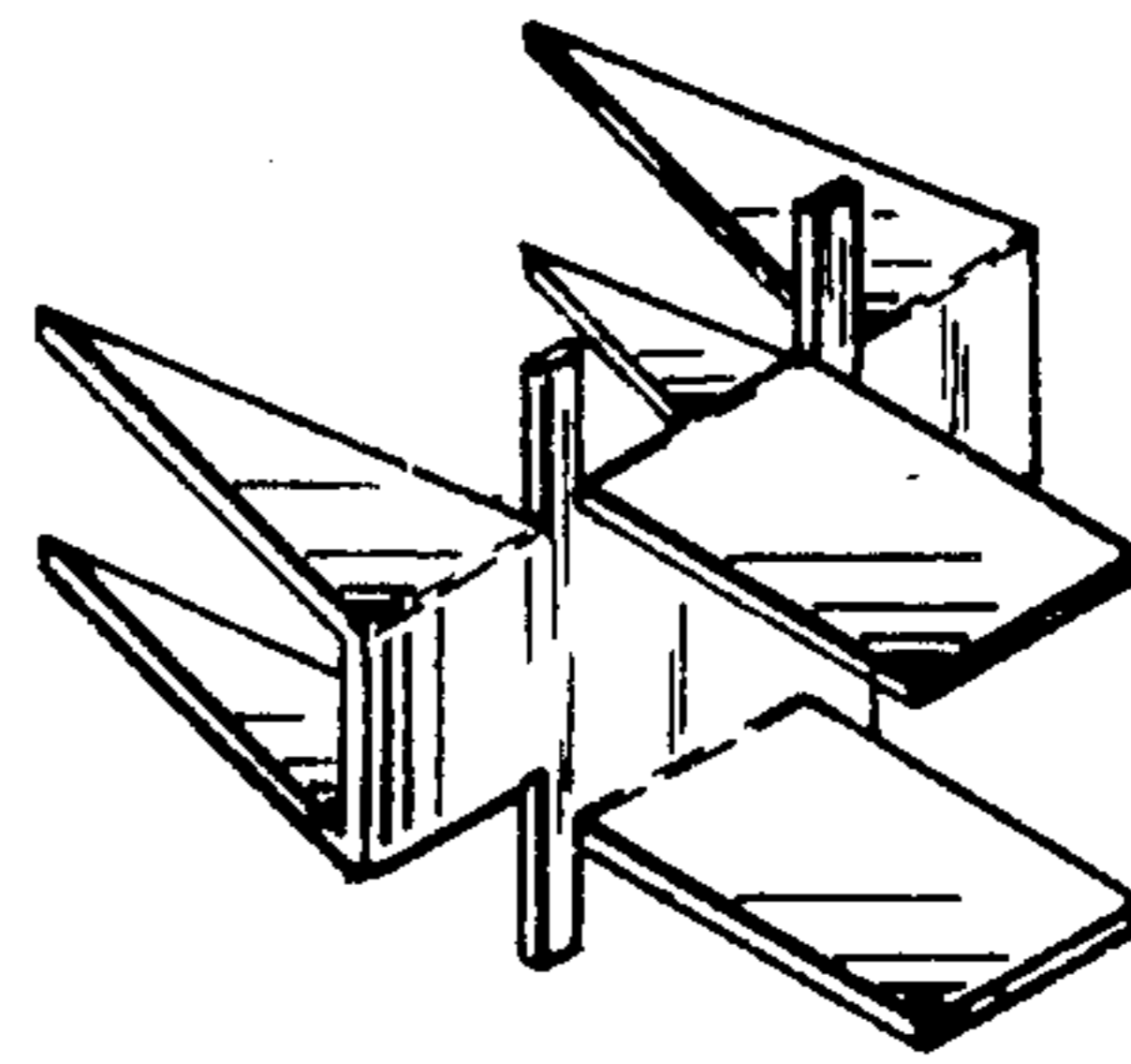


FIG. 7