

[54] **PUSH-BUTTON KEYLATCH**

[75] **Inventor: Robert H. Bisbing, Springfield, Pa.**

[73] **Assignee: Southco, Inc., Concordville, Pa.**

[**] **Term: 14 Years**

[21] **Appl. No.: 208,272**

[22] **Filed: Jun. 16, 1988**

[52] **U.S. Cl. D8/338**

[58] **Field of Search D8/330-331,
D8/336, 338, 343; 292/DIG. 37**

[56] **References Cited
PUBLICATIONS**

Eberhard Catalogue (1985), Section 1, p. 10, Push-Button Lock, #AE7-9302.
Chicago Lock Co., Catalogue #172-A (1964), p. 41, Lock #1210.
Chicago Lock Co., Catalogue #172-A (1964), p. 66, Lock #511.

Chicago Lock Co., Catalogue #172-A (1964), p. 47, Locking Handle & Non-Locking Handle.
Southco Fastener Handbook 35, copyright 1986, pp. G-3, G-4 and G-5.

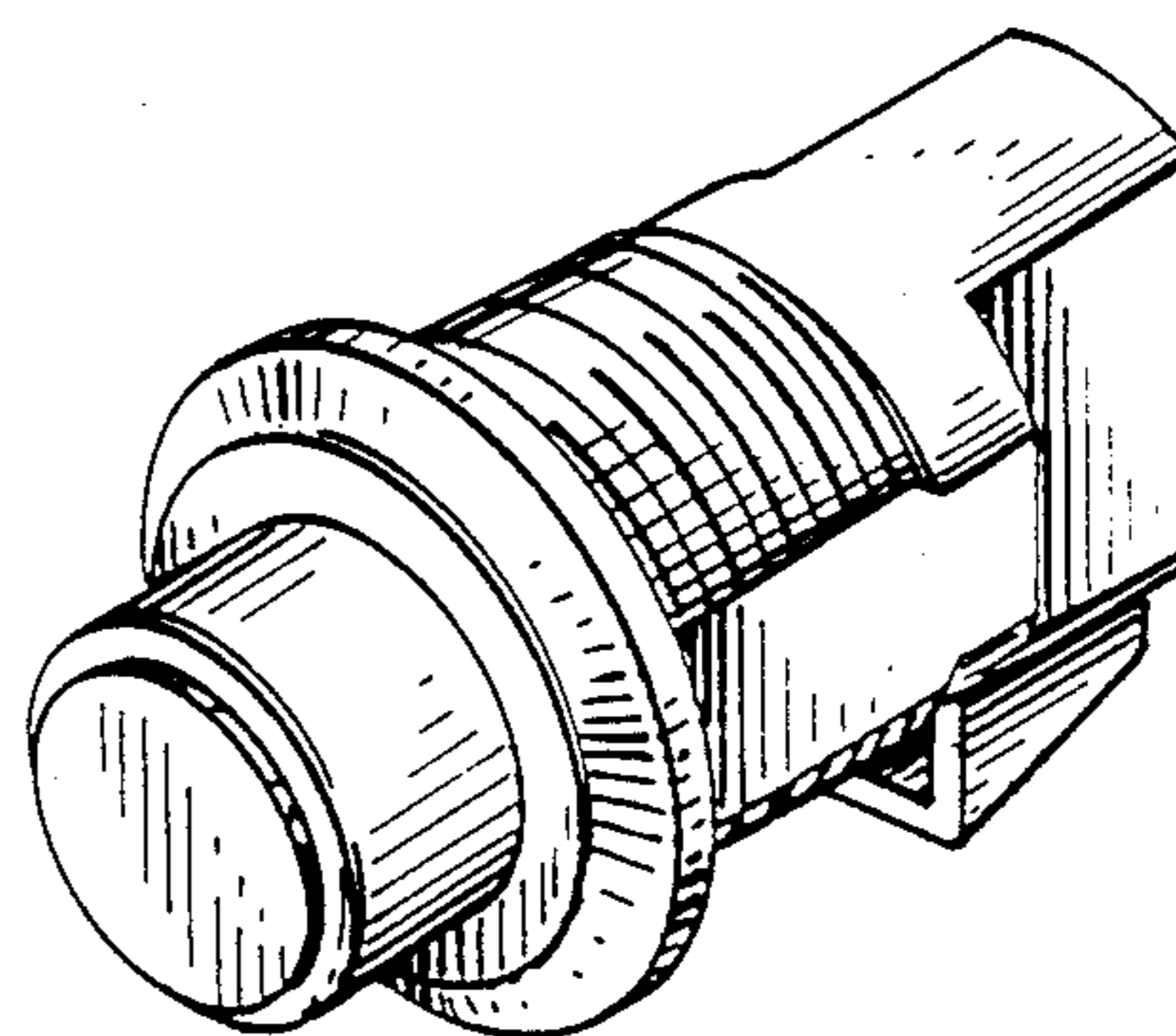
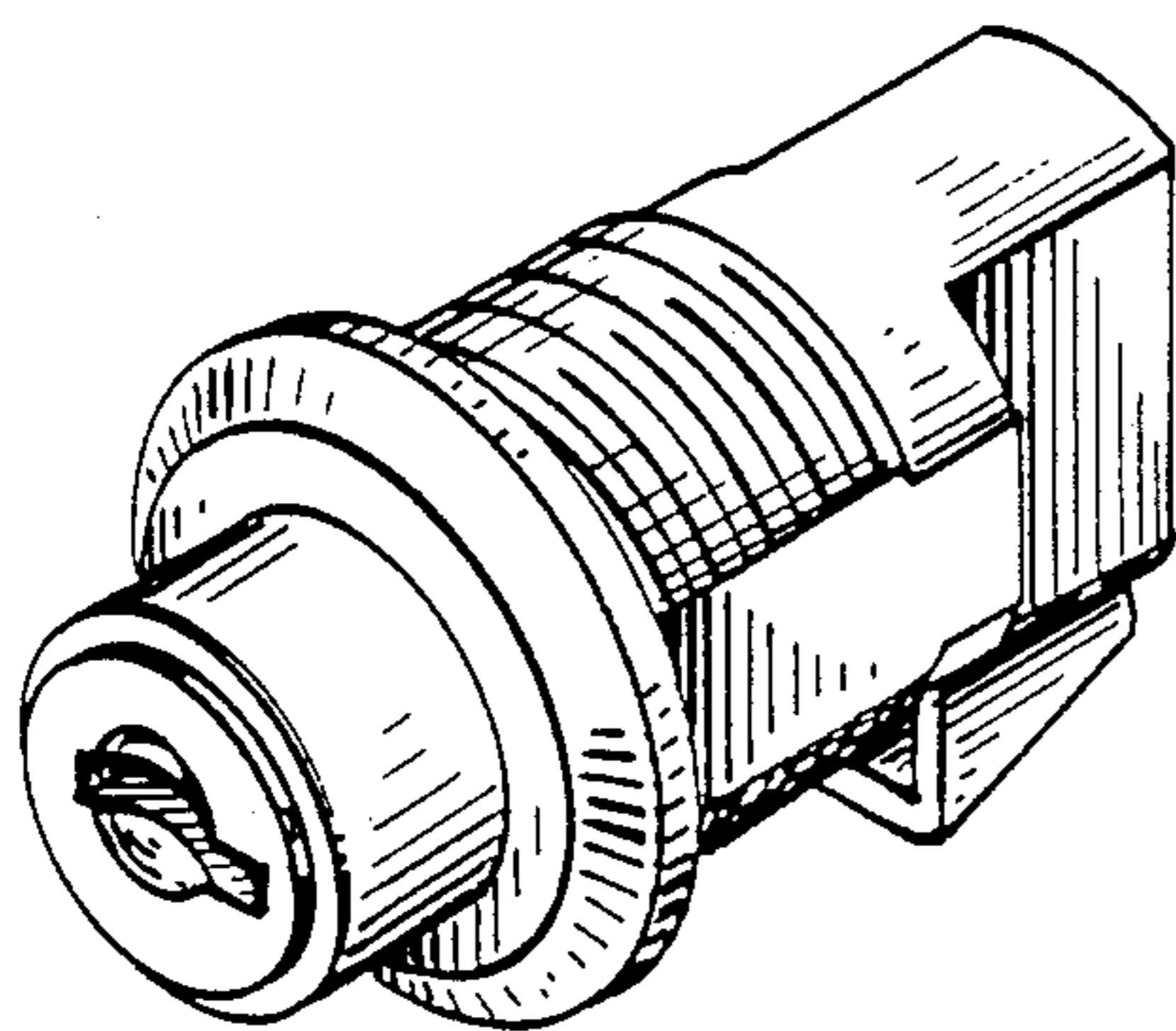
Primary Examiner—Wallace R. Burke
Assistant Examiner—Brian N. Vinson
Attorney, Agent, or Firm—Paul & Paul

[57] **CLAIM**

The ornamental design for a push-button keylatch, as shown and described.

DESCRIPTION

FIG. 1 is a perspective view of a push-button keylatch showing my new design;
FIG. 2 is a front elevational view thereof;
FIG. 3 is a right side elevational view thereof, the left side being a mirror image of that shown;
FIG. 4 is a rear elevational view thereof;
FIG. 5 is a top plan view thereof;
FIG. 6 is a bottom plan view thereof; and
FIG. 7 is a perspective view of an alternate embodiment thereof, the only difference residing in the absence of a keyhole in the push-button element.



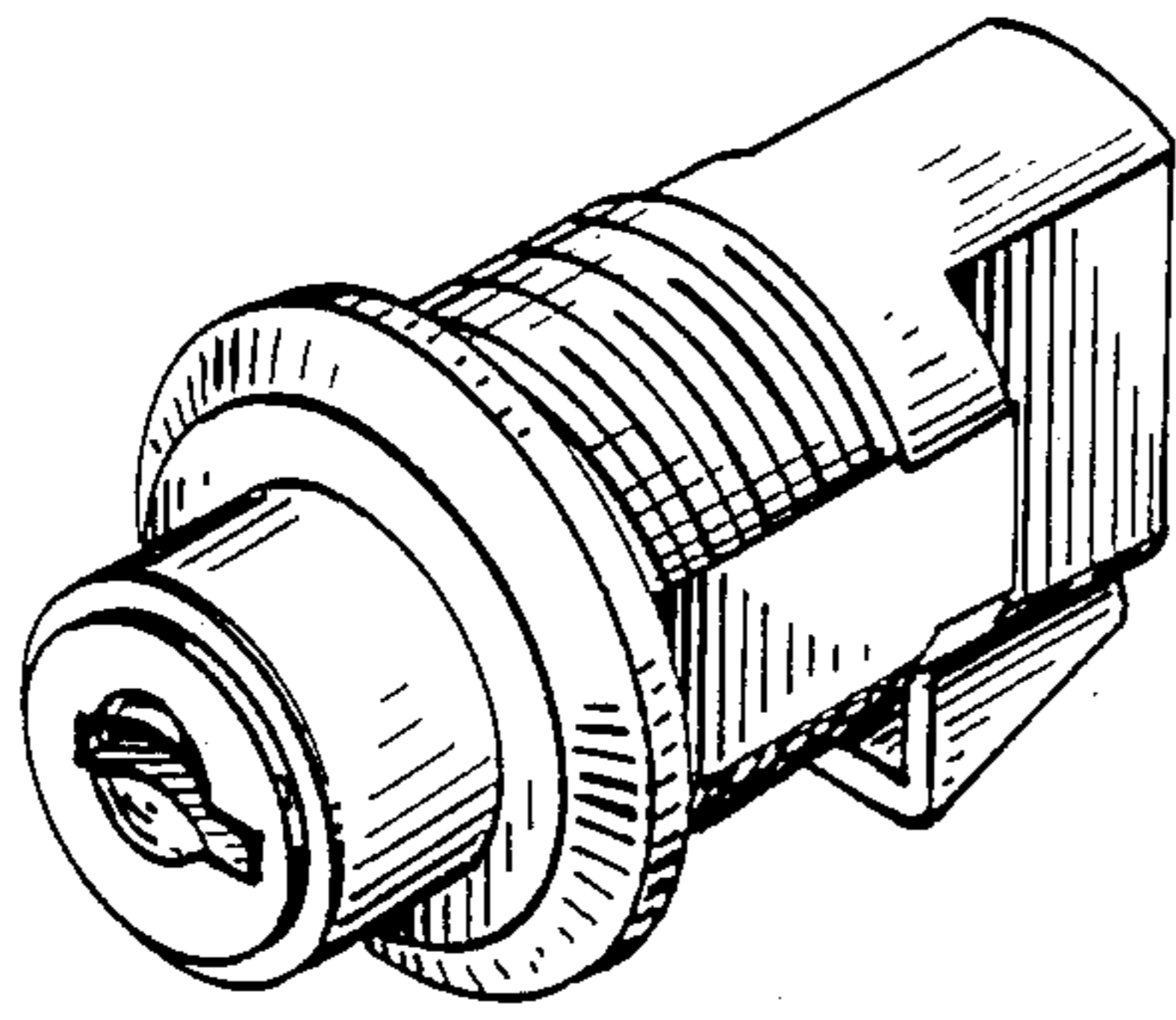


Fig. 1

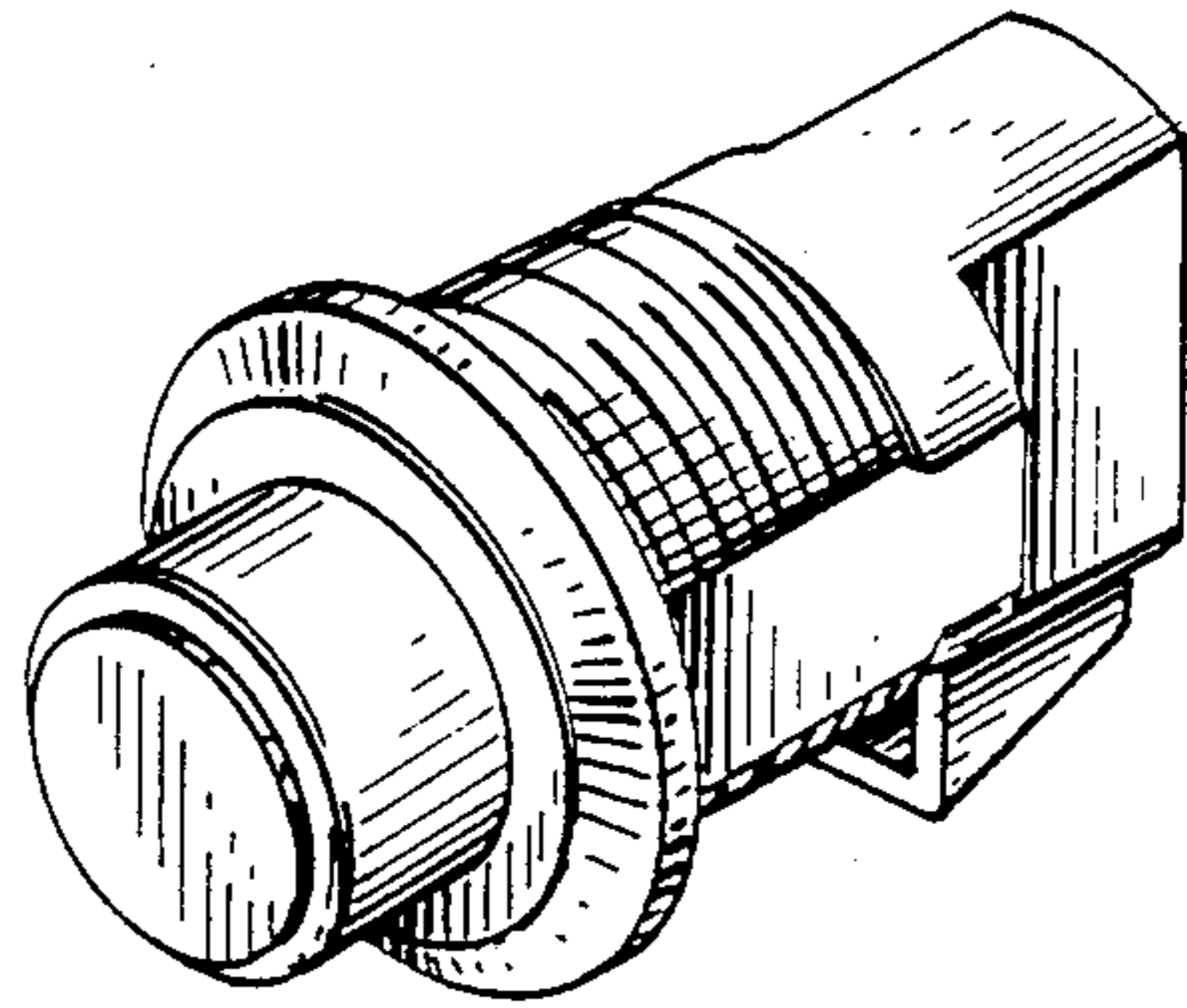


Fig. 7

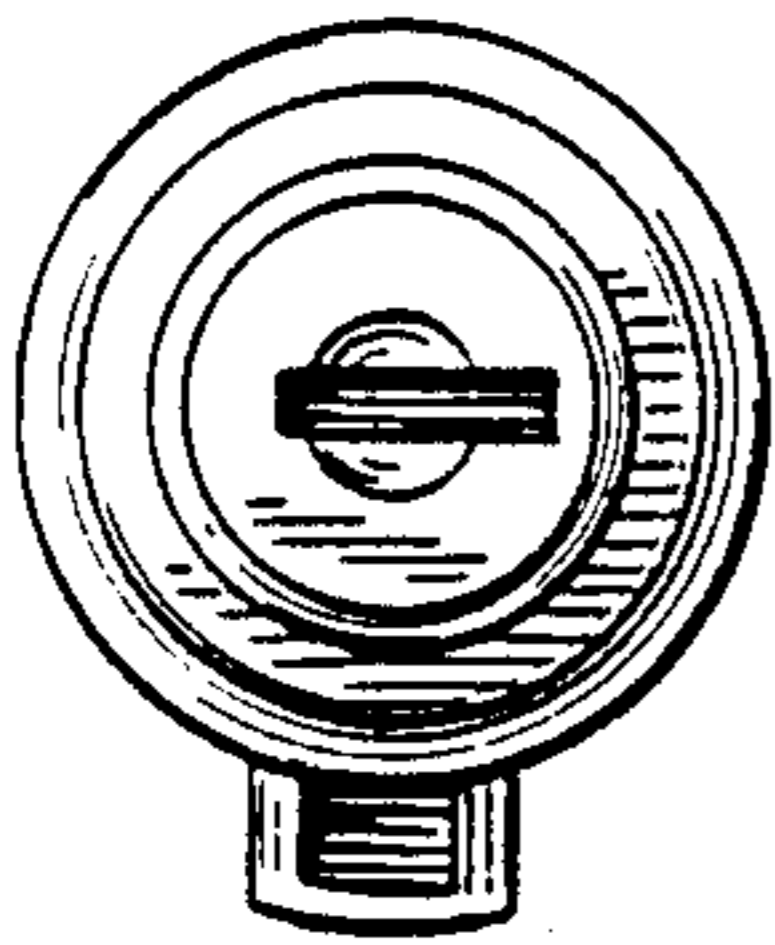


Fig. 2

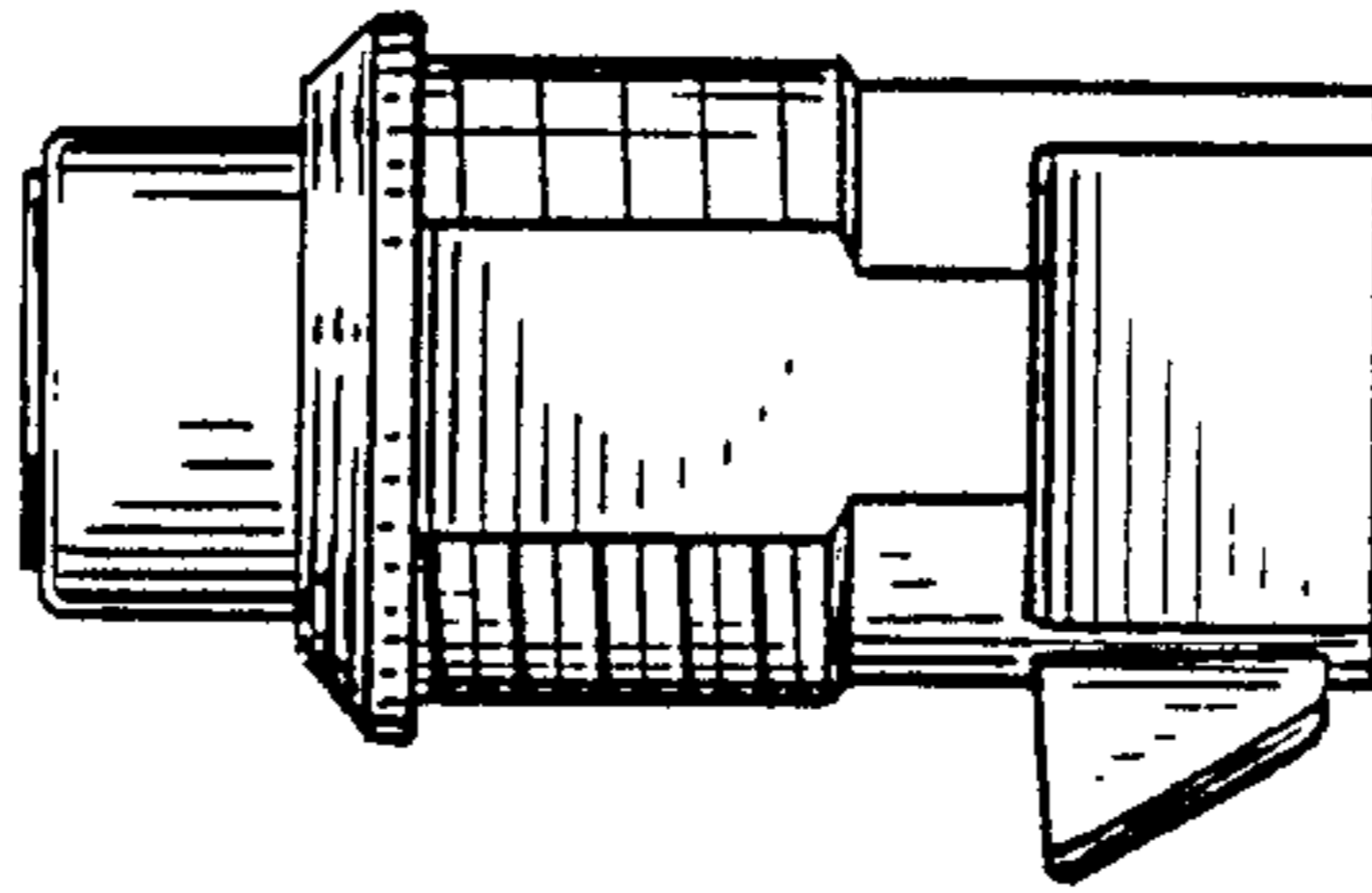


Fig. 3

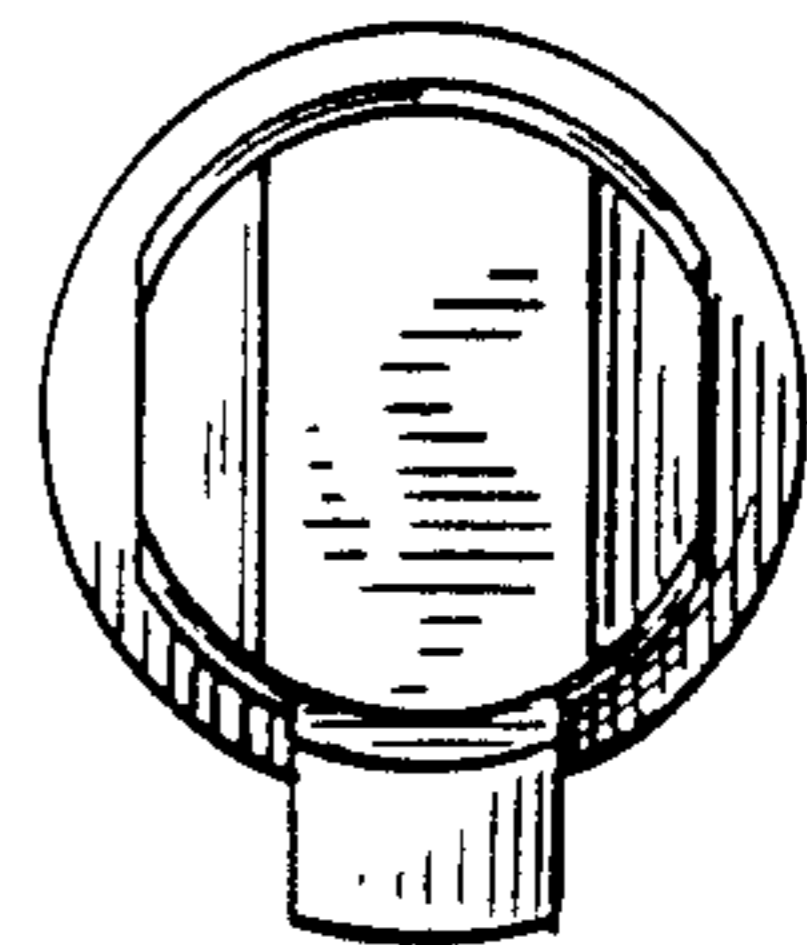


Fig. 4

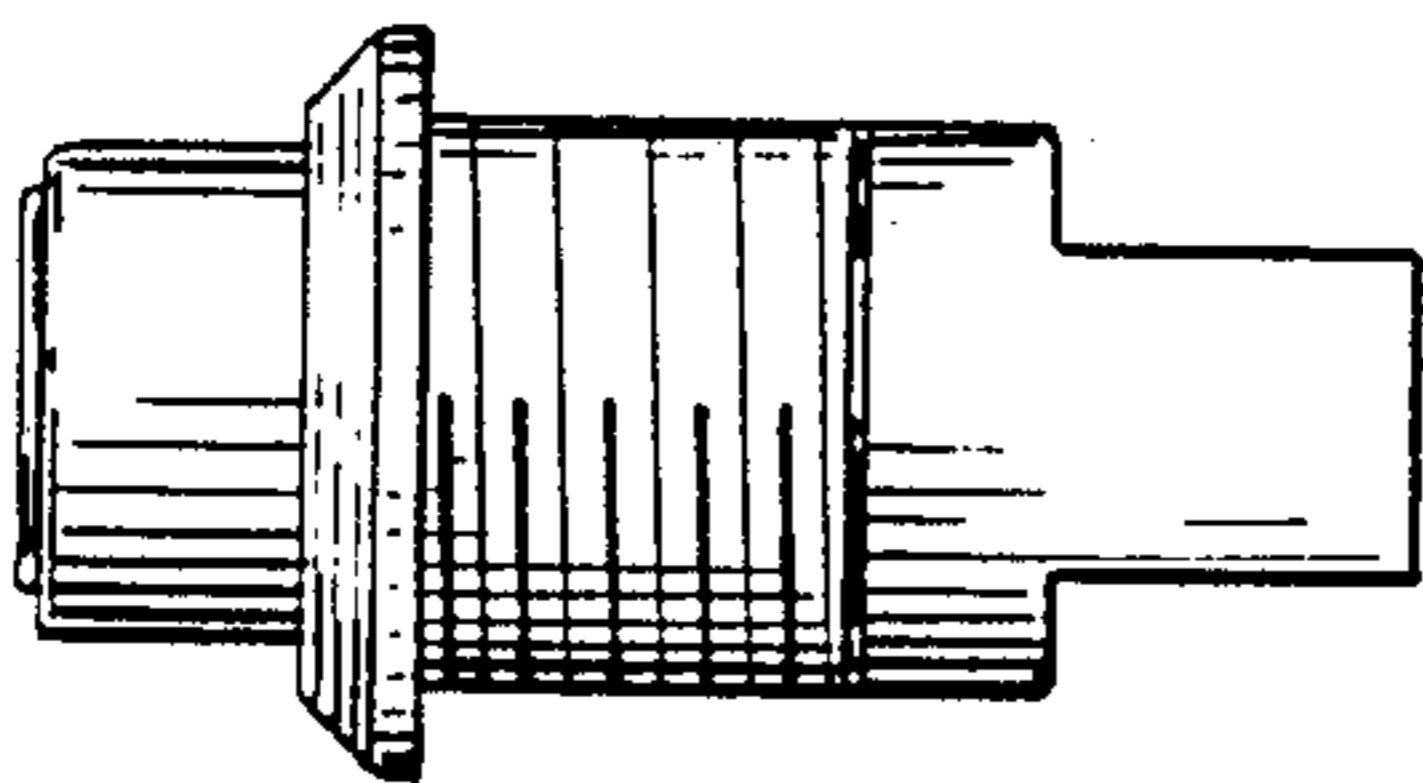


Fig. 5

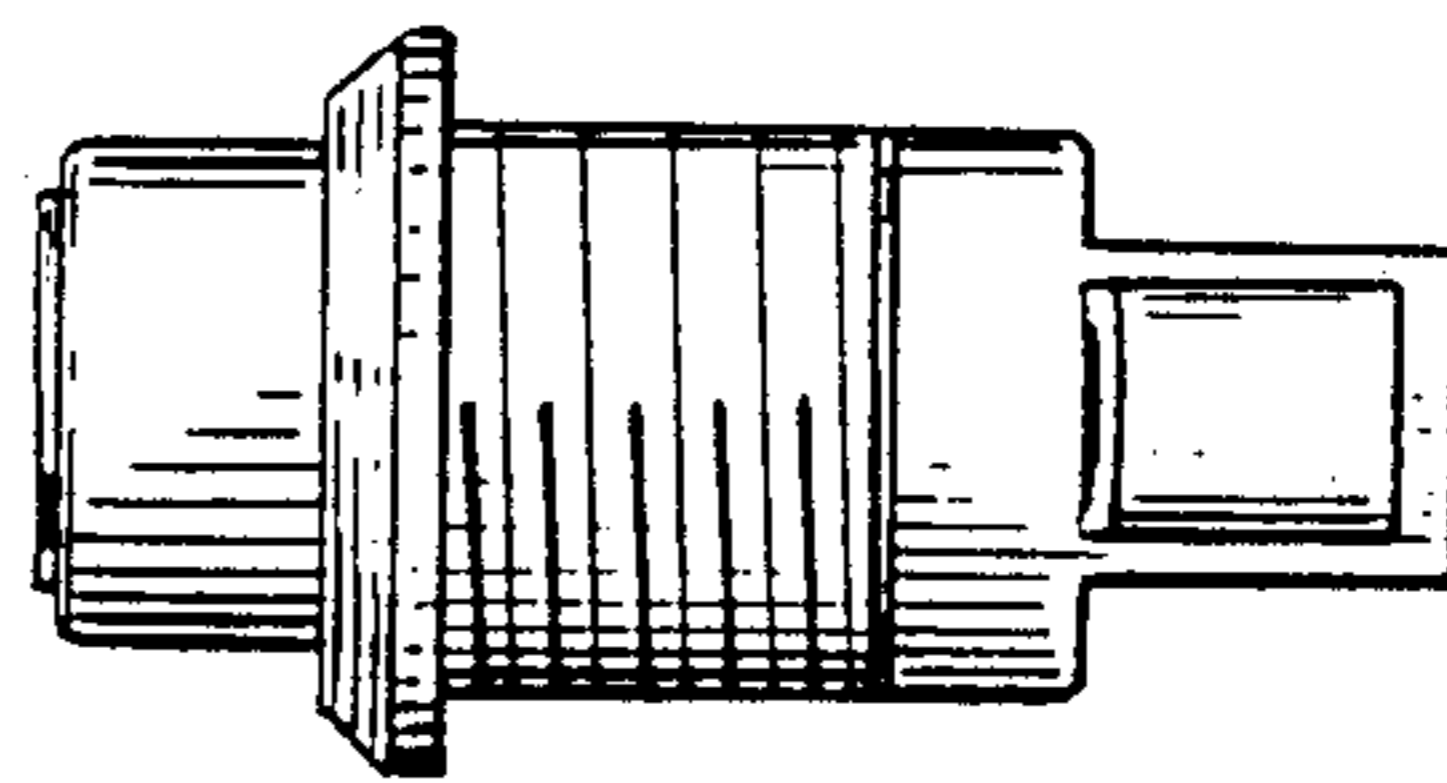


Fig. 6