

[54] DOOR PULL

- [75] Inventor: Michael J. Tremonti, Hawthorne, N.J.
- [73] Assignee: 501 Hardware Design Inc., Fairfield, N.J.
- [**] Term: 14 Years
- [21] Appl. No.: 275,027
- [22] Filed: Nov. 21, 1988
- [52] U.S. Cl. D8/316; D99/11
- [58] Field of Search D8/300, 315-320; D99/11; 16/110 R, 111 R, 121, 124, 125

[56] References Cited

U.S. PATENT DOCUMENTS

D. 21,499	4/1892	McCarthy	D99/11
D. 103,024	2/1937	Loewy	D8/316
D. 208,292	8/1967	Stone	D8/318

OTHER PUBLICATIONS

Acme Hardware Co., Inc. Cat.; ©1965, p. 31; door pull 29/Vanguard.
 Acme Hardware Co., Inc. Cat.; < 1965; p. 54; door pull 29/Leah.
 Trimco Hardware Cat.; p. 40; door pull.
 Primary Examiner—B. J. Bullock
 Attorney, Agent, or Firm—Blum Kaplan

[57] CLAIM

The ornamental design for a door pull, as shown.

DESCRIPTION

FIG. 1 is a perspective view of a door pull showing my new design;
 FIG. 2 is a front elevational view thereof;
 FIG. 3 is a top plan view thereof, the bottom plan view being the mirror image thereof;
 FIG. 4 is a right side elevational view thereof, the left side elevational view being the mirror image thereof; and
 FIG. 5 is a rear elevational view thereof.

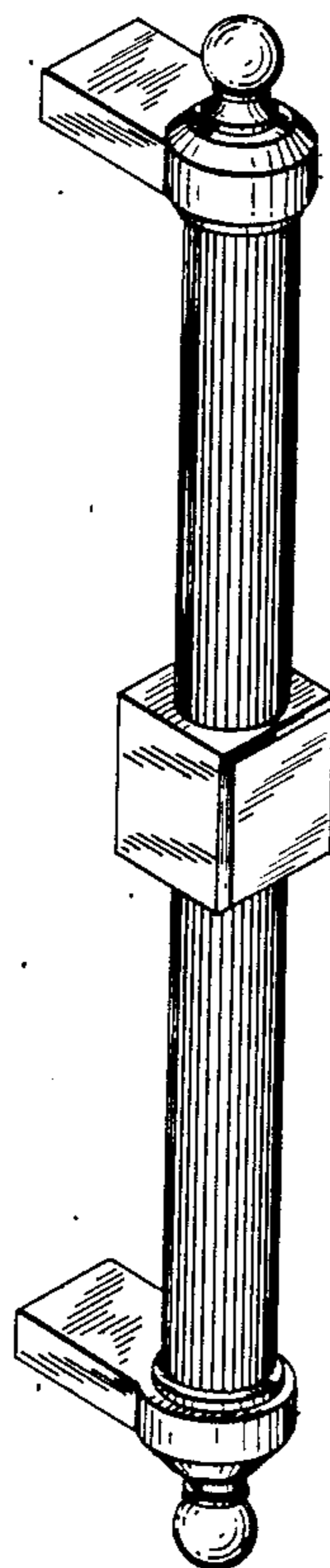


FIG. 1

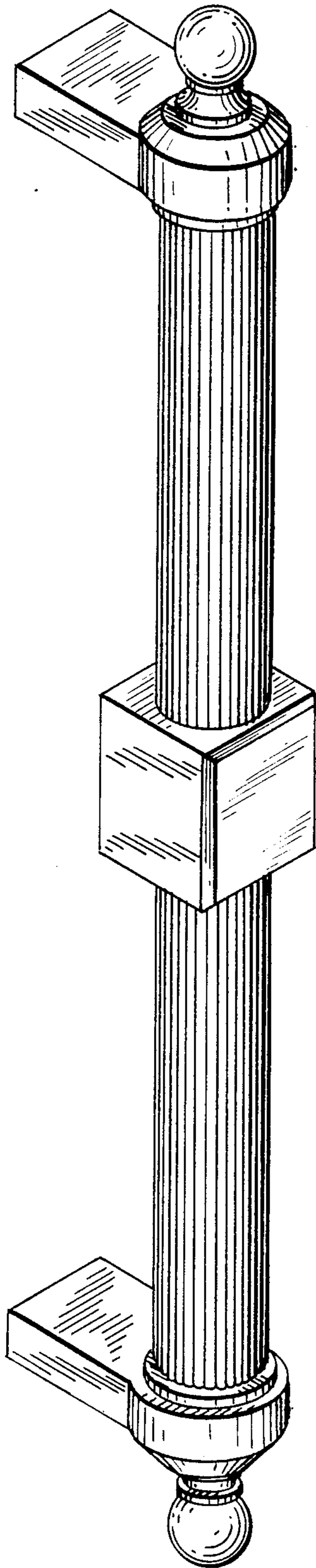


FIG. 2

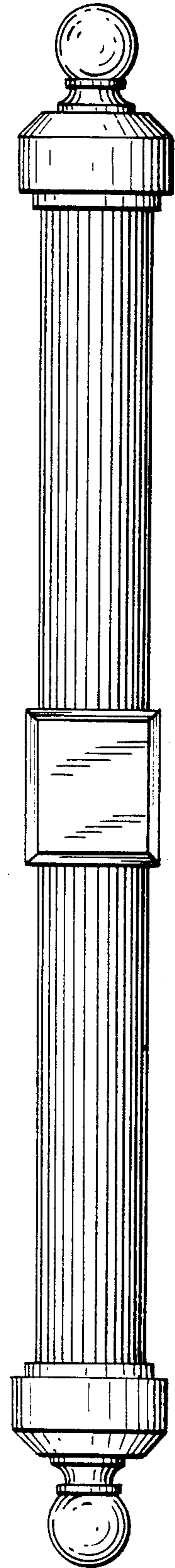


FIG. 3

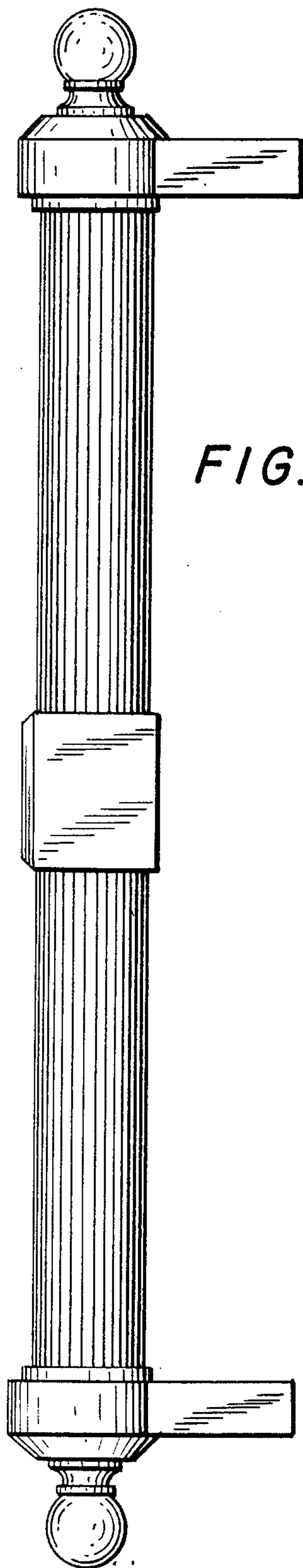
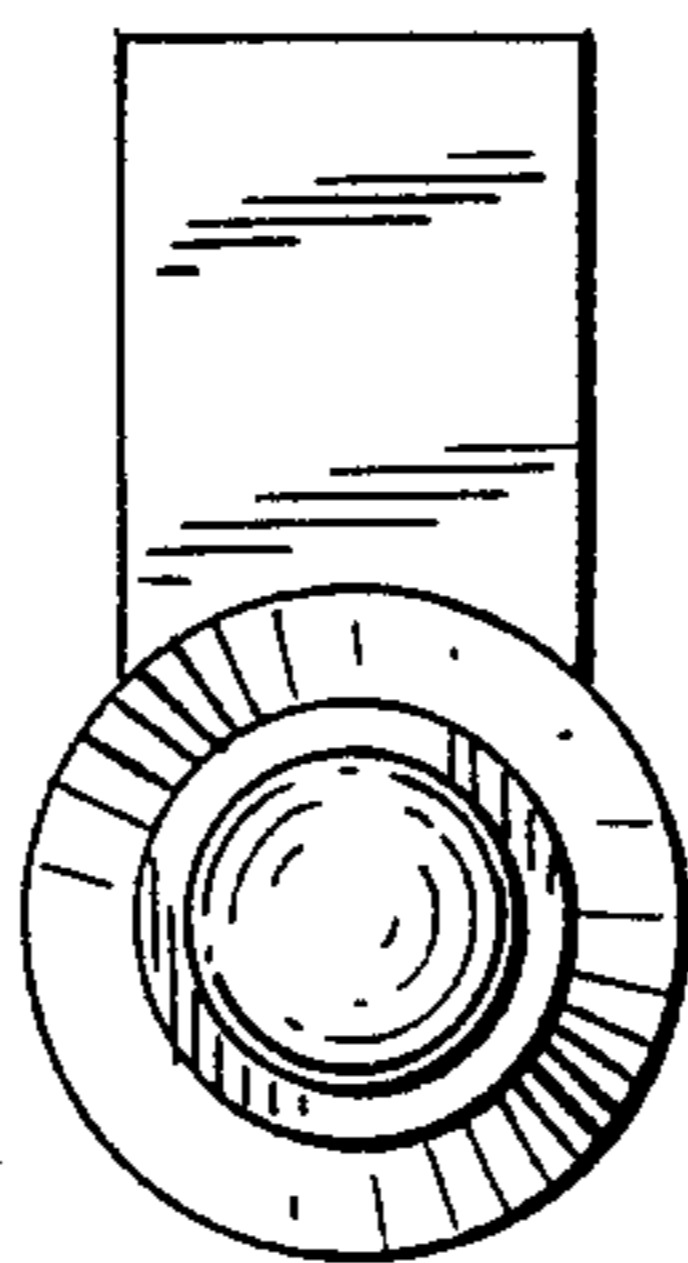


FIG. 4

FIG. 5

