

[54] **HANDLE FOR A DOOR OR THE LIKE**

Acme Hardware Co., Inc.; ©1965; p. 42; door pull No. 12.

[75] Inventors: **Richard Adams, Temple; Peter Fayerman, Gladwyne, both of Pa.**

*Primary Examiner*—B. J. Bullock  
*Attorney, Agent, or Firm*—Edgar A. Zarins; Malcolm L. Sutherland; Myron B. Kapustij

[73] Assignee: **Baldwin Hardware Corporation, Reading, Pa.**

[57] **CLAIM**

[\*\*] Term: **14 Years**

The ornamental design for a handle for a door or the like, as shown and described.

[21] Appl. No.: **237,942**

**DESCRIPTION**

[22] Filed: **Aug. 26, 1988**

FIG. 1 is a perspective view of a handle for a door or the like showing our new design;

[52] U.S. Cl. .... **D8/308**

FIG. 2 is an enlarged bottom plan view thereof;

[58] Field of Search ..... **D8/300-302,**

FIG. 3 is an enlarged front elevational view thereof;

**D8/307, 308; 16/110 R, 111 R, 121, 124, 125**

FIG. 4 is an enlarged top plan view thereof;

[56] **References Cited**

FIG. 5 is an enlarged right side elevational view thereof; and

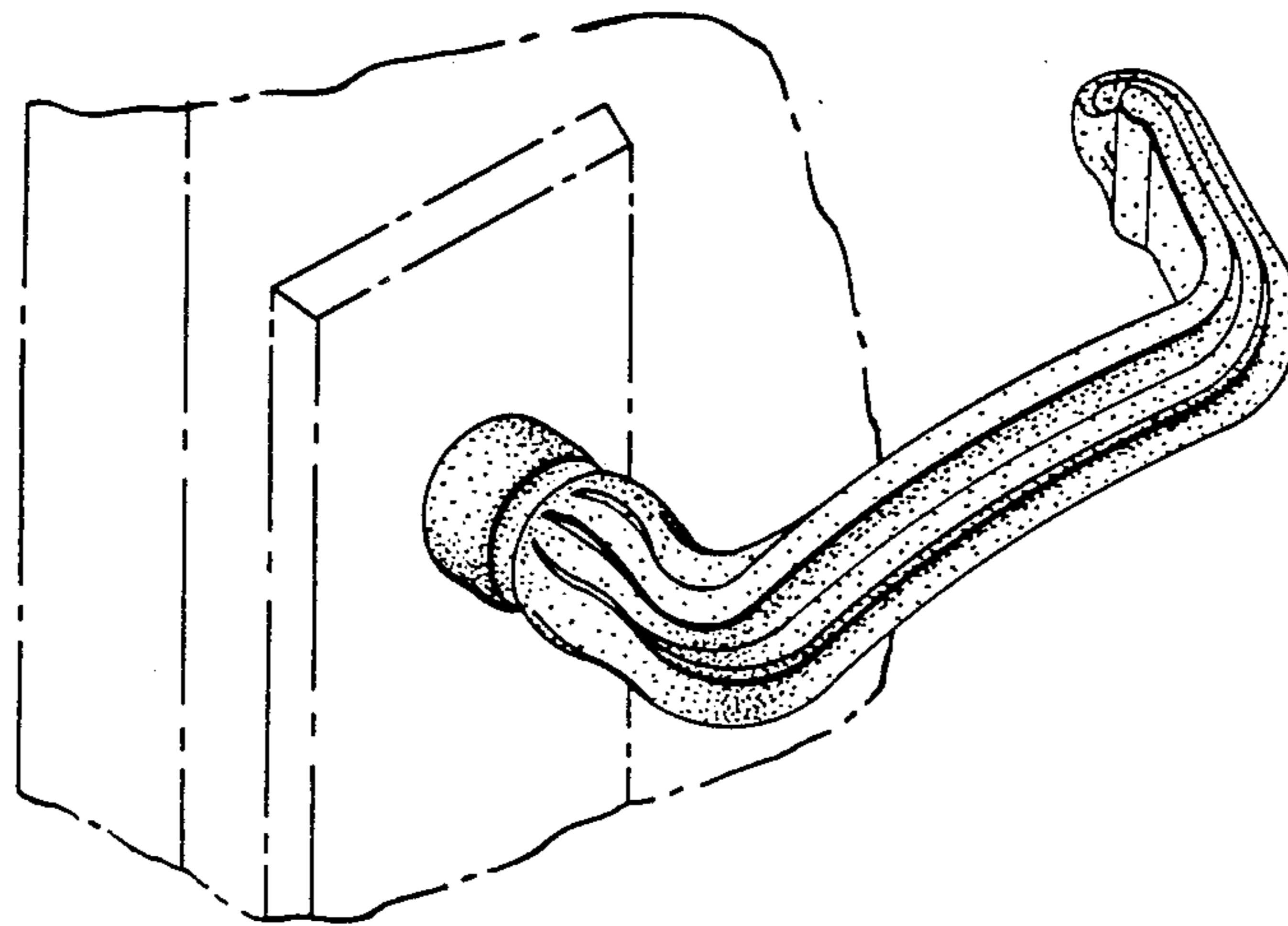
**PUBLICATIONS**

FIG. 6 is an enlarged left side elevational view thereof.

Phylrich Cat.; ©1965; lever 120; p. 82.

The broken line representation of a fragmentary view of an escutcheon and door in FIG. 1 are for purposes of illustration only.

Acme Hardware Co., Inc.; ©1965; p. 59; Lever 28.



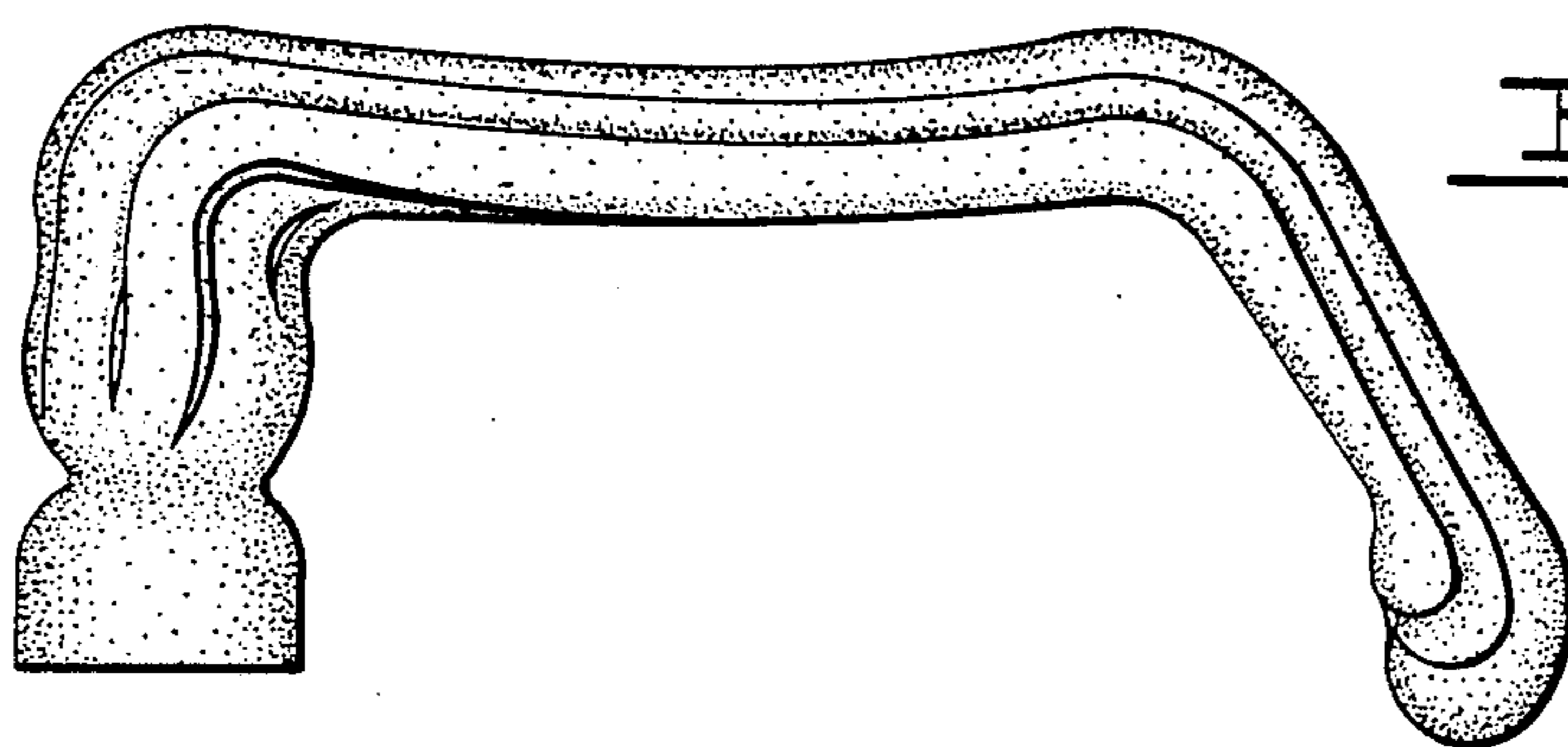
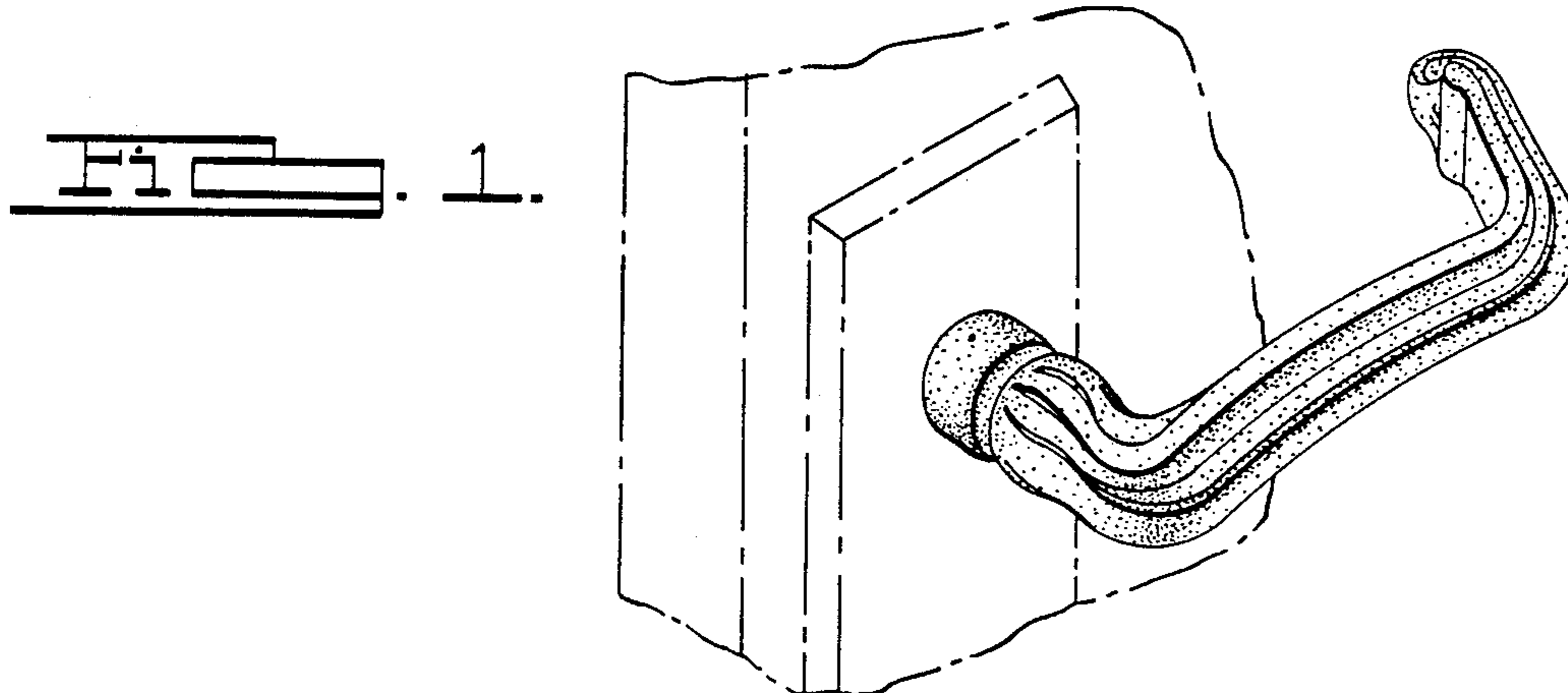


FIG. 2.

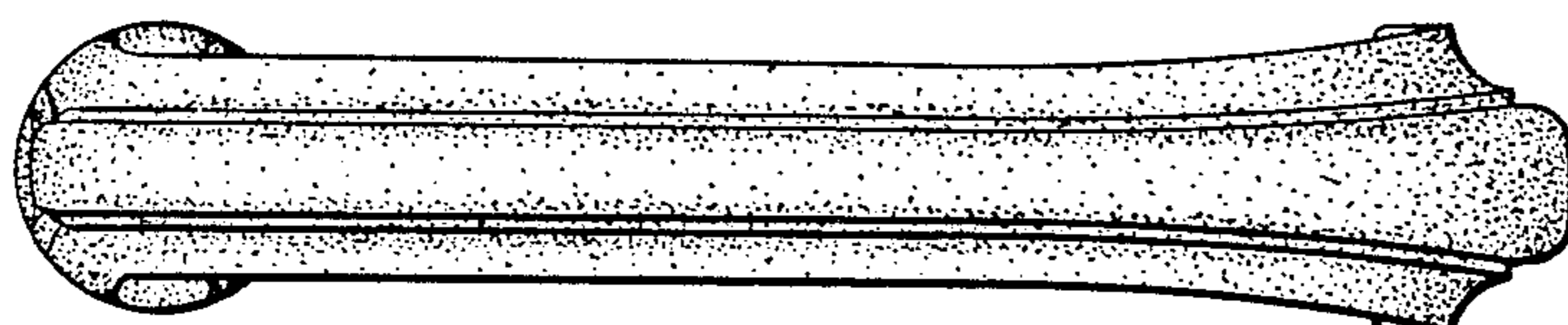


FIG. 3.

FIG. 5.

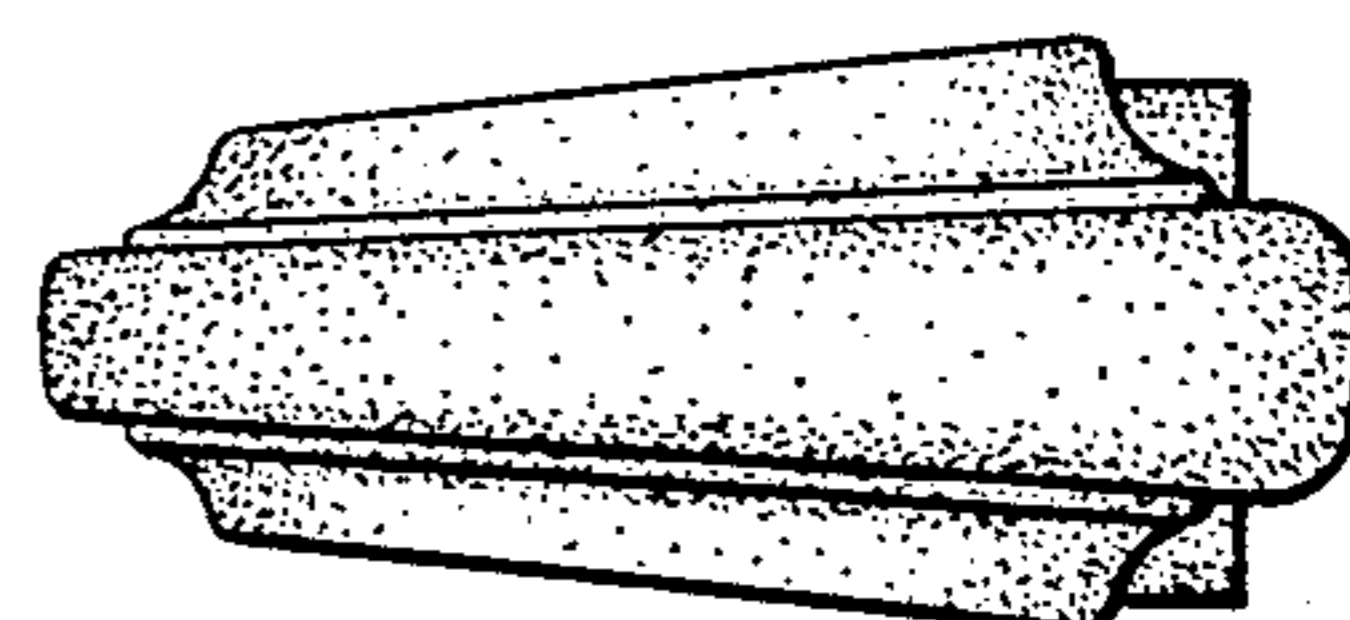


FIG. 4.

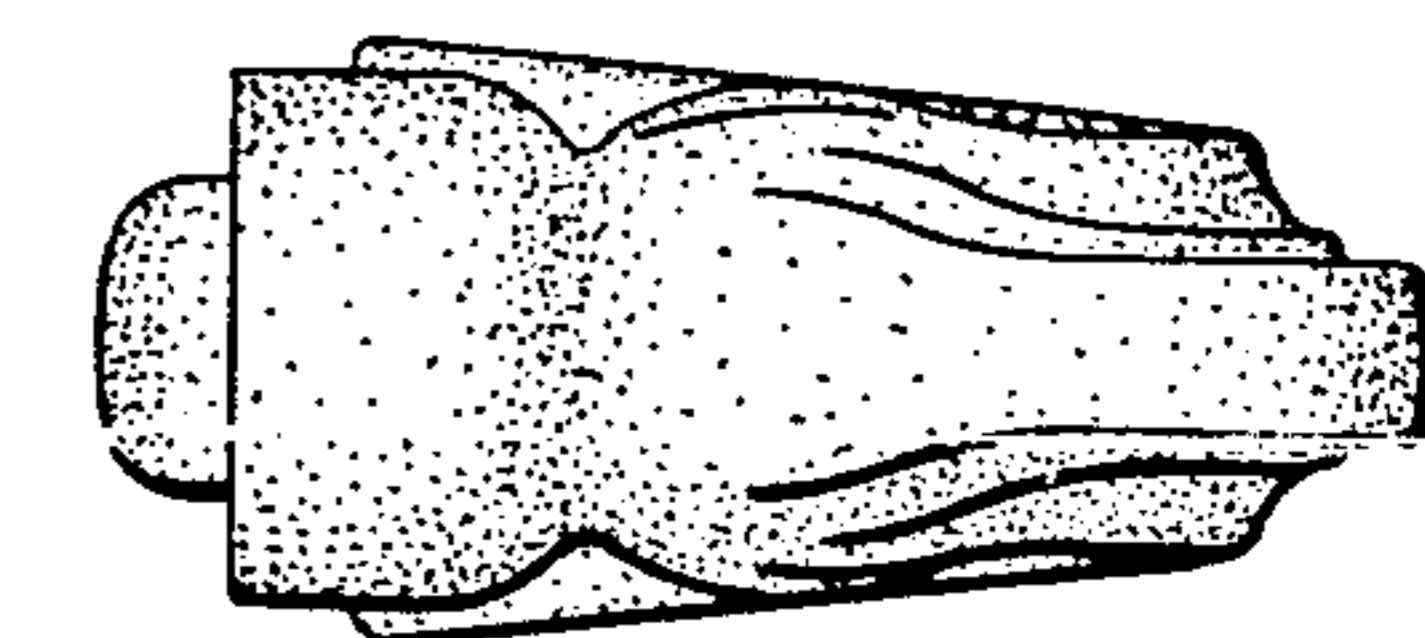


FIG. 6.