

[54] ADJUSTABLE SOCKET

4,608,887 9/1986 Colvin ..... 81/128

[76] Inventor: David S. Colvin, 23933 Haynes, Farmington Hills, Mich. 48018

FOREIGN PATENT DOCUMENTS

619826 3/1949 United Kingdom .

[\*\*] Term: 14 Years

Primary Examiner—Bruce W. Dunkins  
Assistant Examiner—Martha Thompson  
Attorney, Agent, or Firm—Watts, Hoffmann, Fisher & Heinke Co.

[21] Appl. No.: 895,345

[22] Filed: Aug. 11, 1986

[52] U.S. Cl. .... D8/29; D8/70

[58] Field of Search ..... D8/29, 70; 81/128, 125; 279/65, 74

[57] CLAIM

The ornamental design for an adjustable socket, as shown and described.

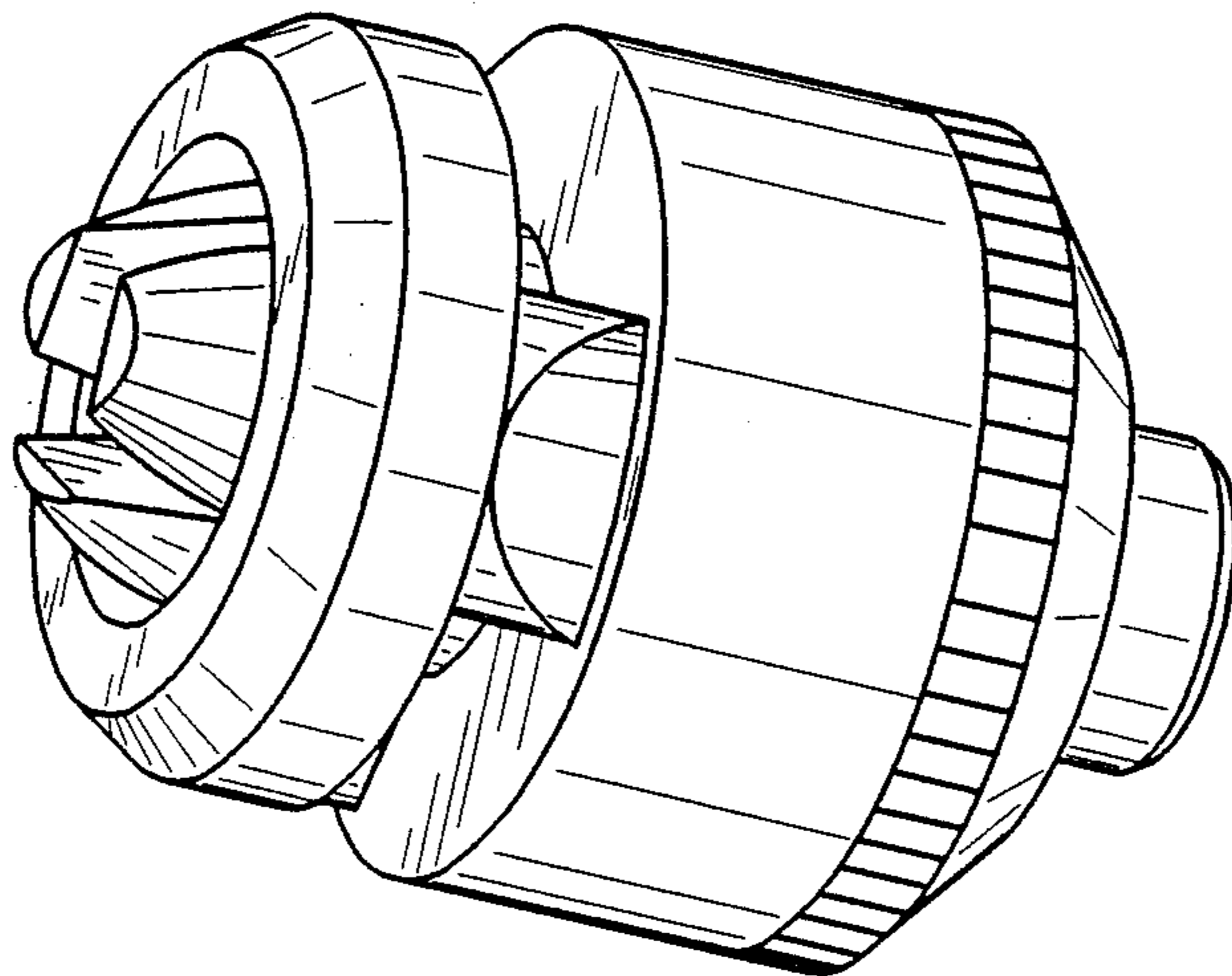
[56] References Cited

U.S. PATENT DOCUMENTS

171,383	12/1875	Hoppe .	
876,244	1/1908	Shigon .	
885,926	4/1908	Horst .	
1,554,963	9/1925	Fisher .	
2,580,247	12/1951	Secondi et al. .	
2,582,444	1/1952	Lucht .	
2,669,896	2/1954	Clough .	
2,701,489	2/1955	Osborn .	
2,850,931	9/1958	Conway .	
2,884,826	5/1959	Bruhn .	
3,724,299	4/1973	Nelson .	
4,213,355	7/1980	Colvin .	
4,235,134	11/1980	McLendon .....	81/128
4,366,732	1/1983	Schliep .	
4,366,733	1/1983	Colvin .	
4,378,714	4/1983	Colvin .....	81/128

DESCRIPTION

FIG. 1 is a perspective view of the adjustable socket showing my new design;  
 FIG. 2 is a side elevational view thereof showing the jaw in the open position, the opposite side being a mirror image;  
 FIG. 3 is a side elevational view thereof showing the jaw in a partially open position;  
 FIG. 4 is a jaw end elevational view thereof showing the jaw in a partially open position;  
 FIG. 5 is a driver end elevational view thereof showing the jaw in a partially open position;  
 FIG. 6 is a jaw end elevational view thereof showing the jaw in the open position;  
 FIG. 7 is a jaw-end perspective view thereof;  
 FIG. 8 is a driver-end perspective view thereof.



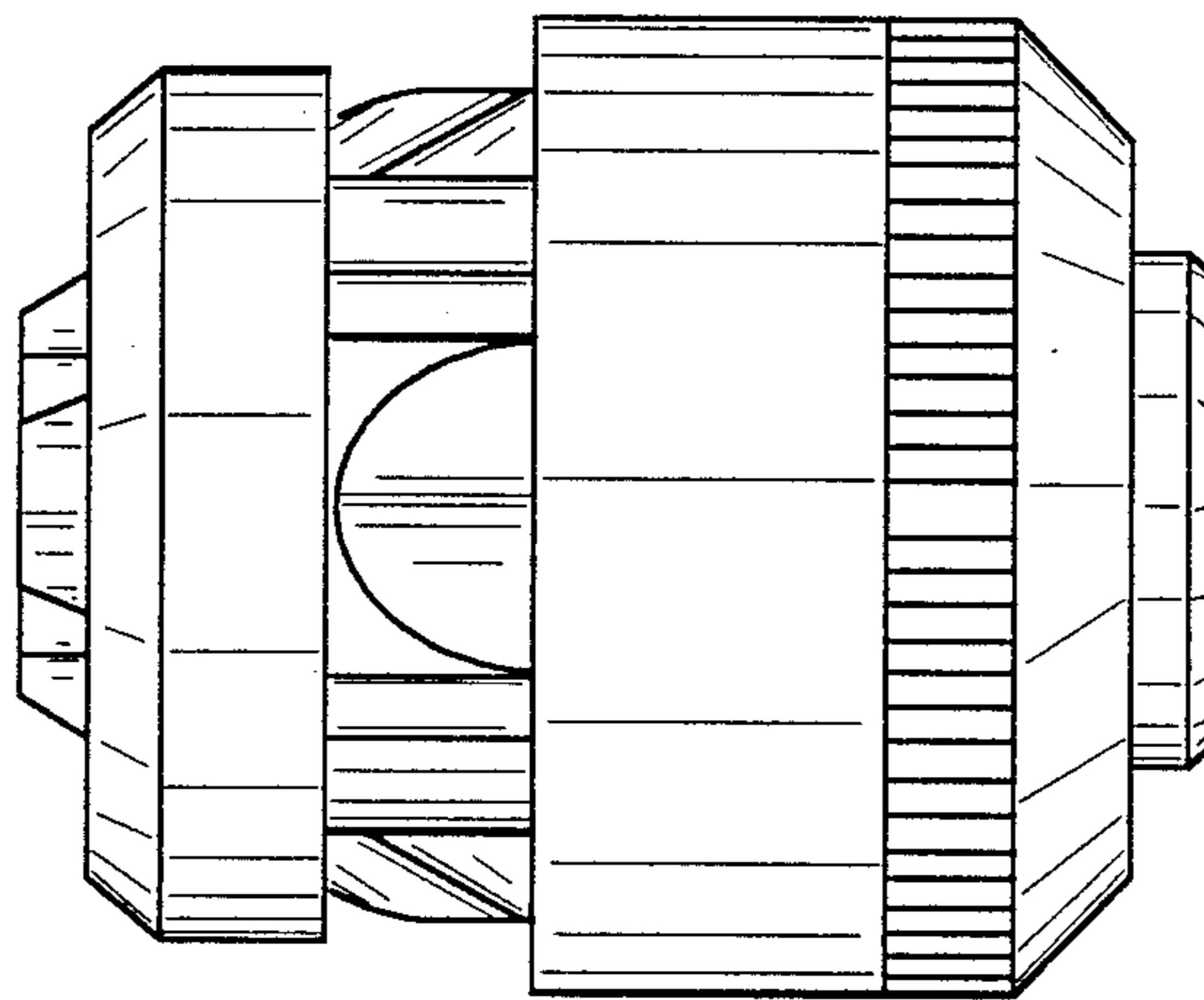
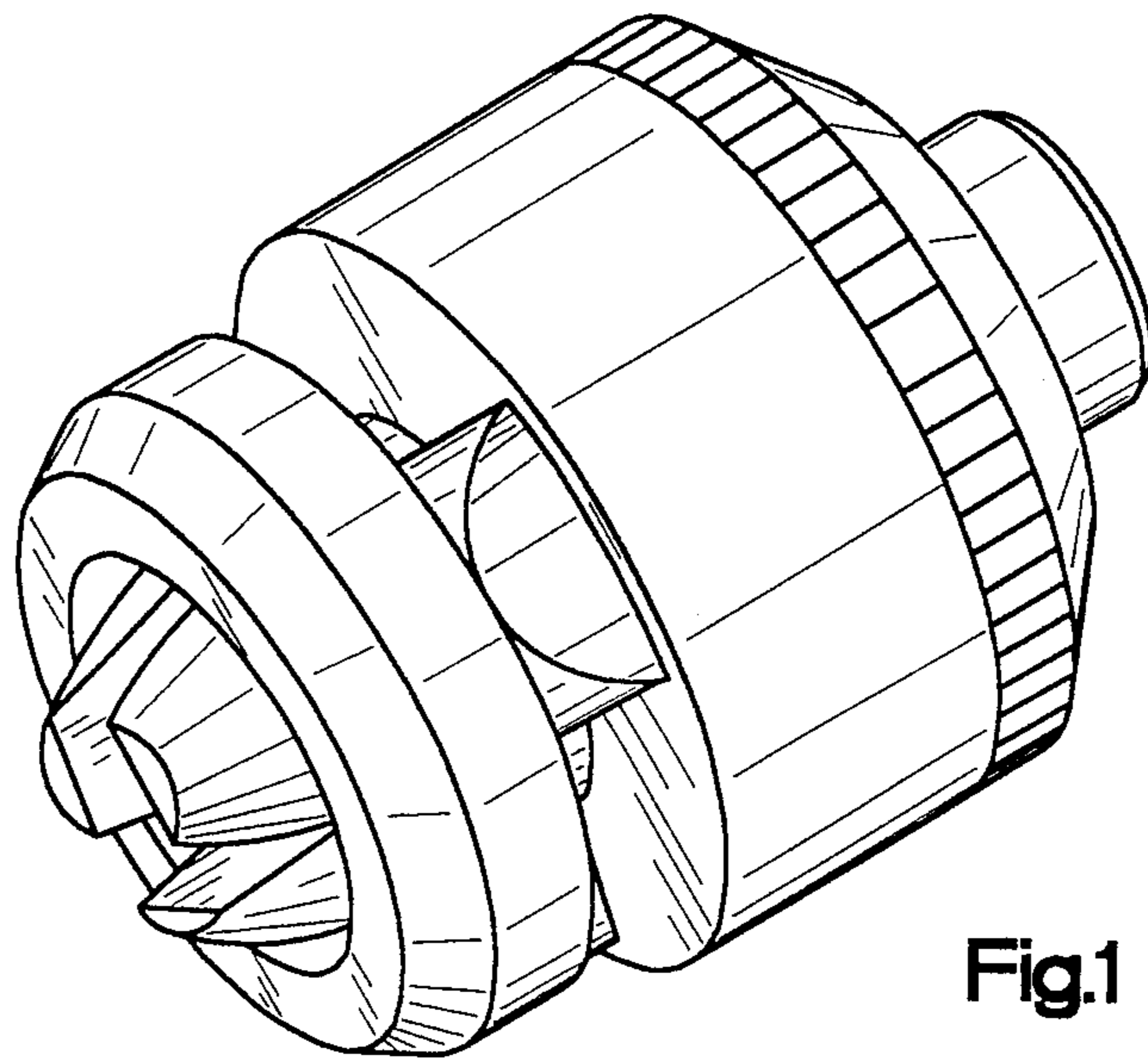


Fig. 2

Fig.3

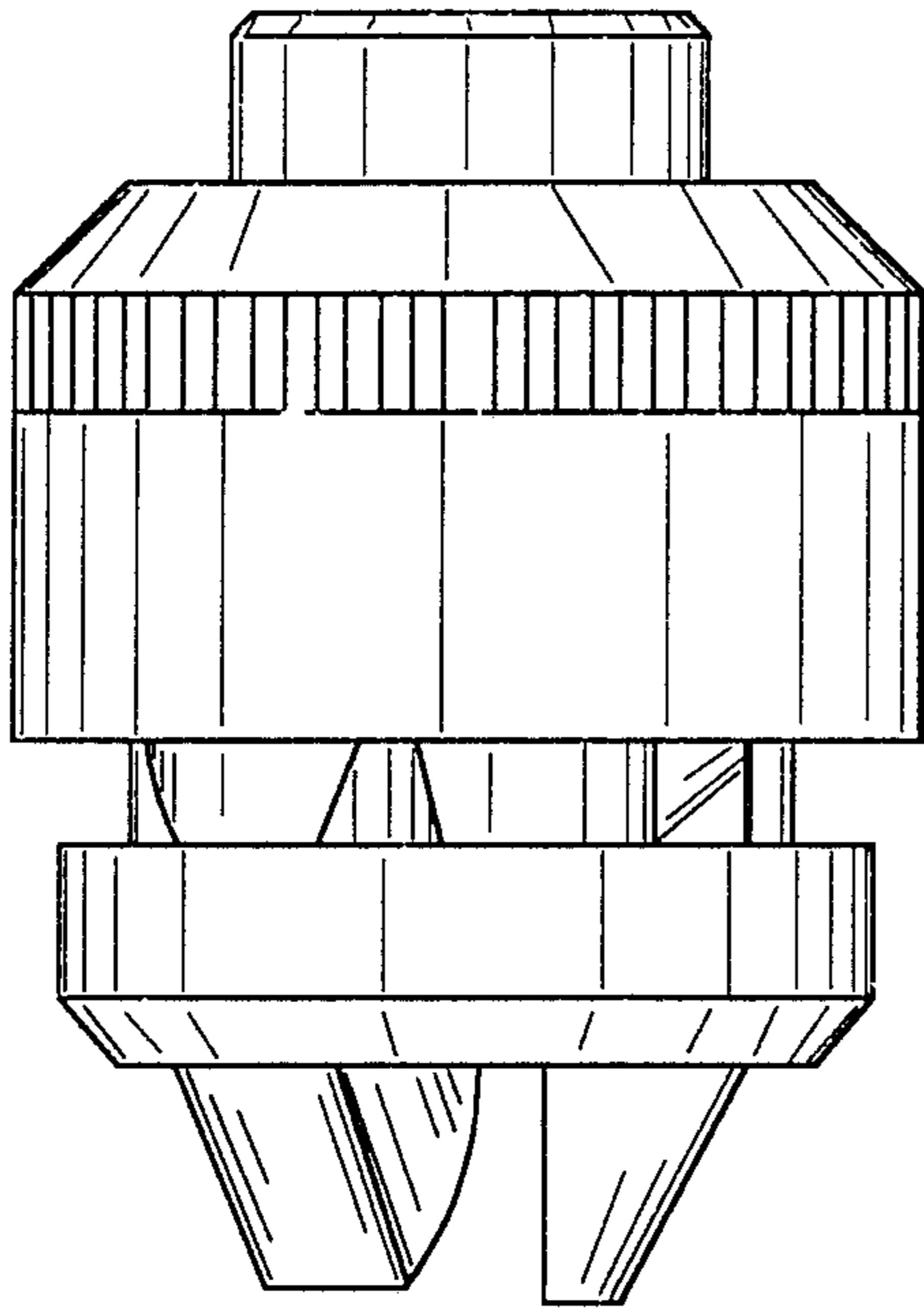


Fig.5

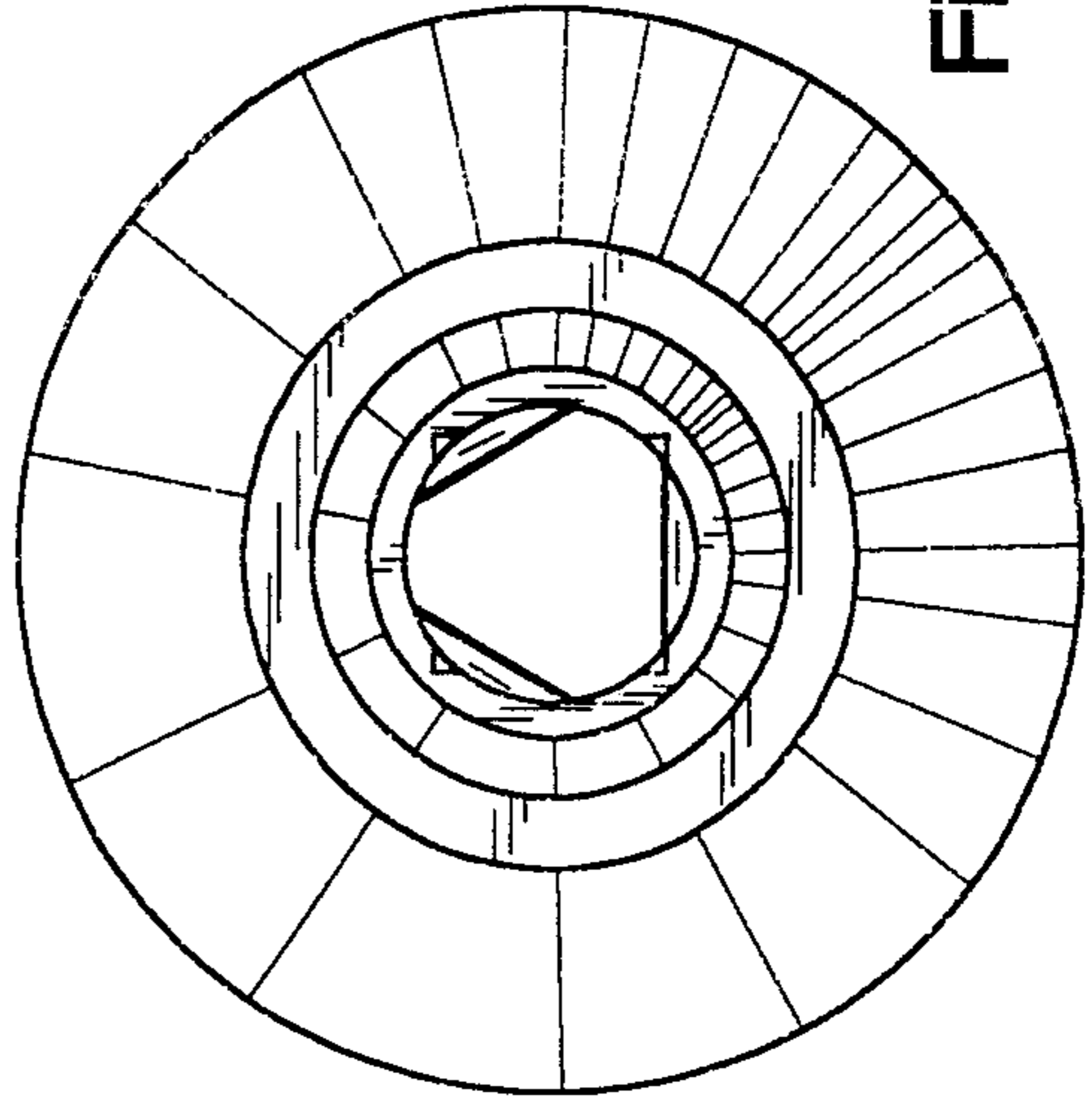
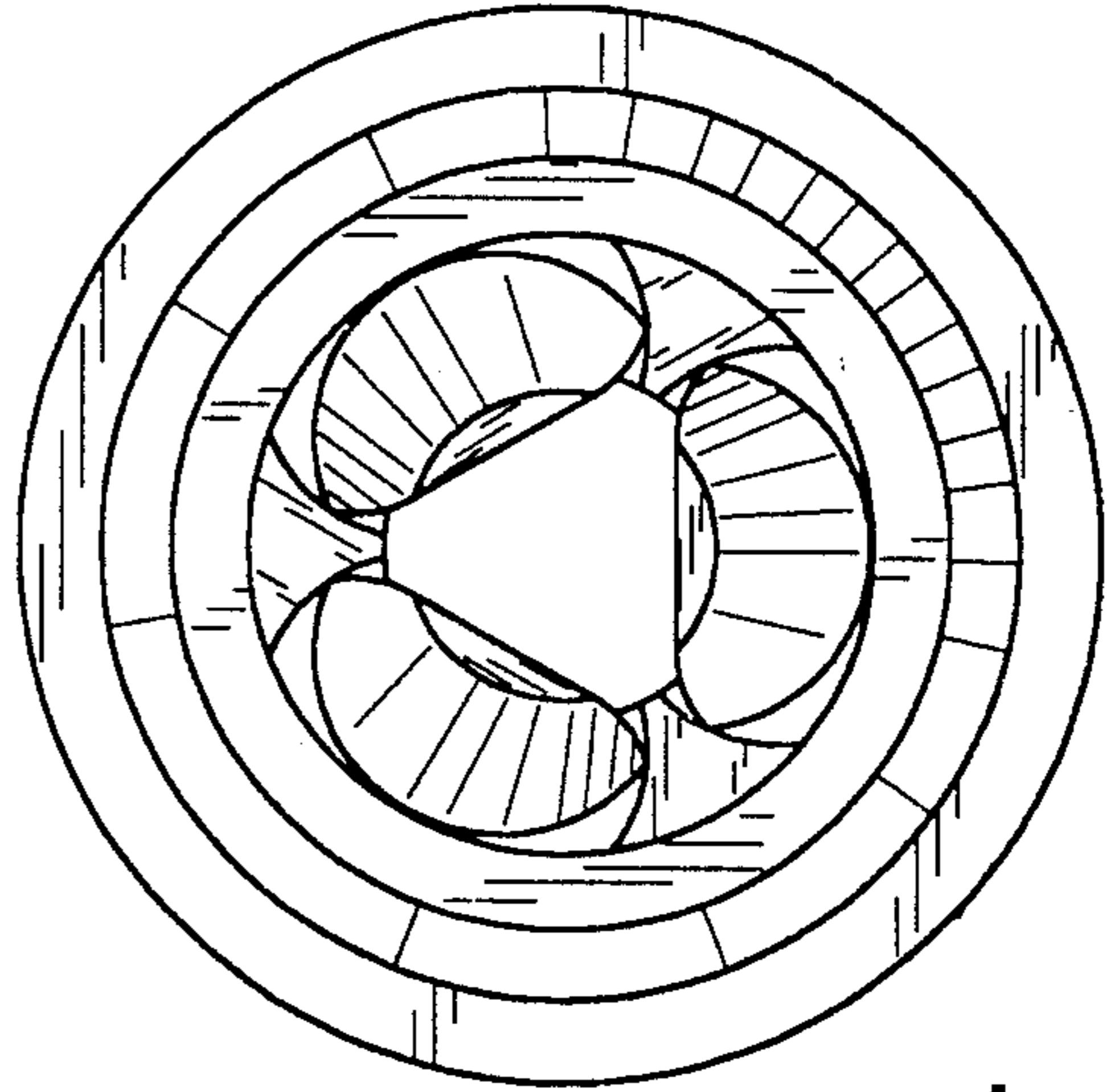


Fig.4



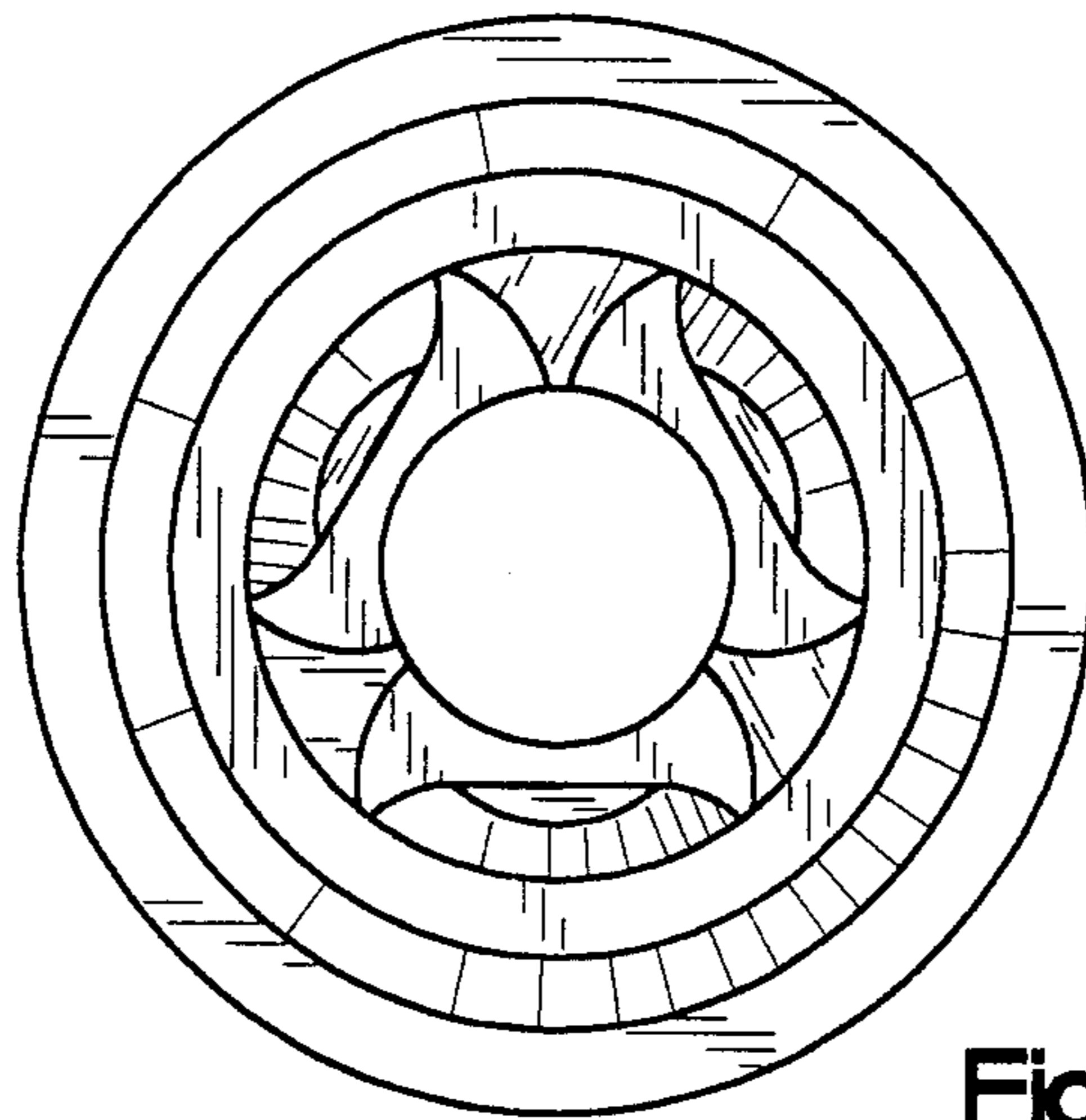


Fig.6

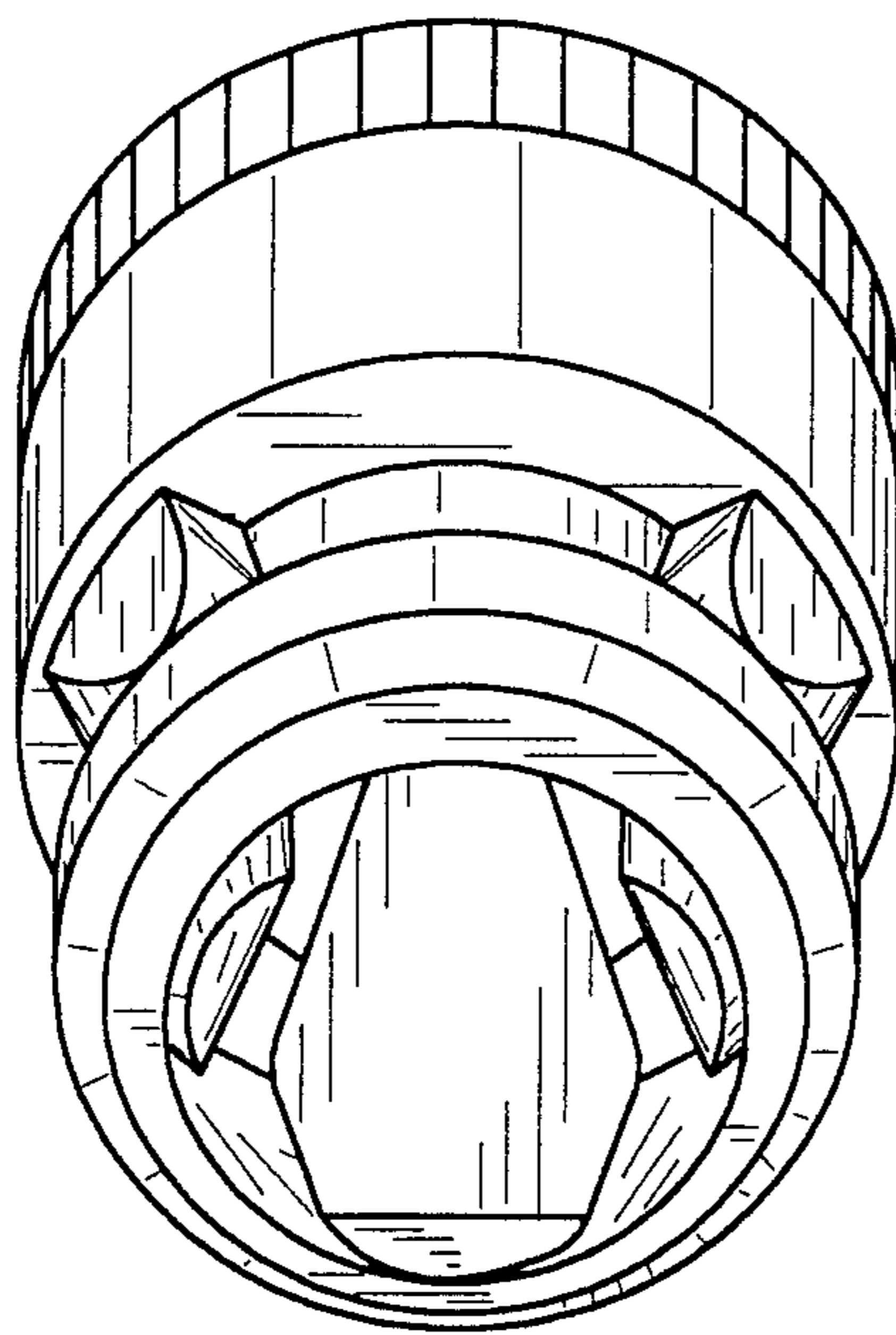


Fig.7

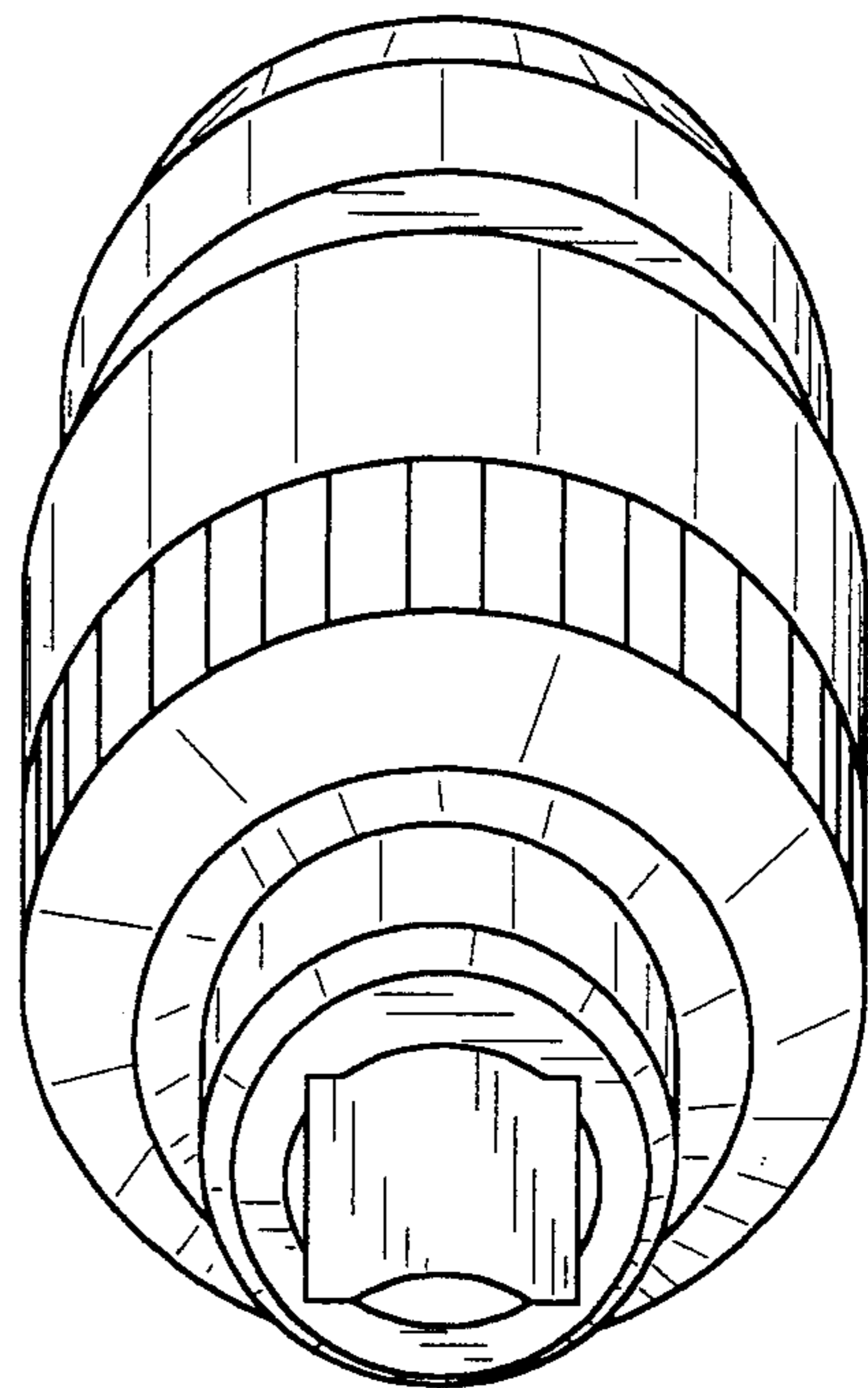


Fig.8