

[54] CAKE SHIELD

[76] Inventor: Louis Crisci, 406 N. Putnam Ave., Lindenhurst, N.Y. 11757

[\*\*] Term: 14 Years

[21] Appl. No.: 165,552

[22] Filed: Mar. 9, 1988

[52] U.S. Cl. .... D7/610

[58] Field of Search ..... D7/83; D26/9, 10, 12; 431/288-298, 125-126; D11/184

[56] References Cited

U.S. PATENT DOCUMENTS

D. 298,859	12/1988	Crisci	.....	D26/10
2,811,030	10/1957	Tannahill	.....	431/295

OTHER PUBLICATIONS

Manual of Engineering Drawing, 1935, p. 71, Geometric Shapes.  
Handbook of Designs and Devices, 1946, p. 129, Design #1158; p. 176, Design #1580.

Primary Examiner—Bernard Ansher  
Assistant Examiner—Terry A. Pfeffer

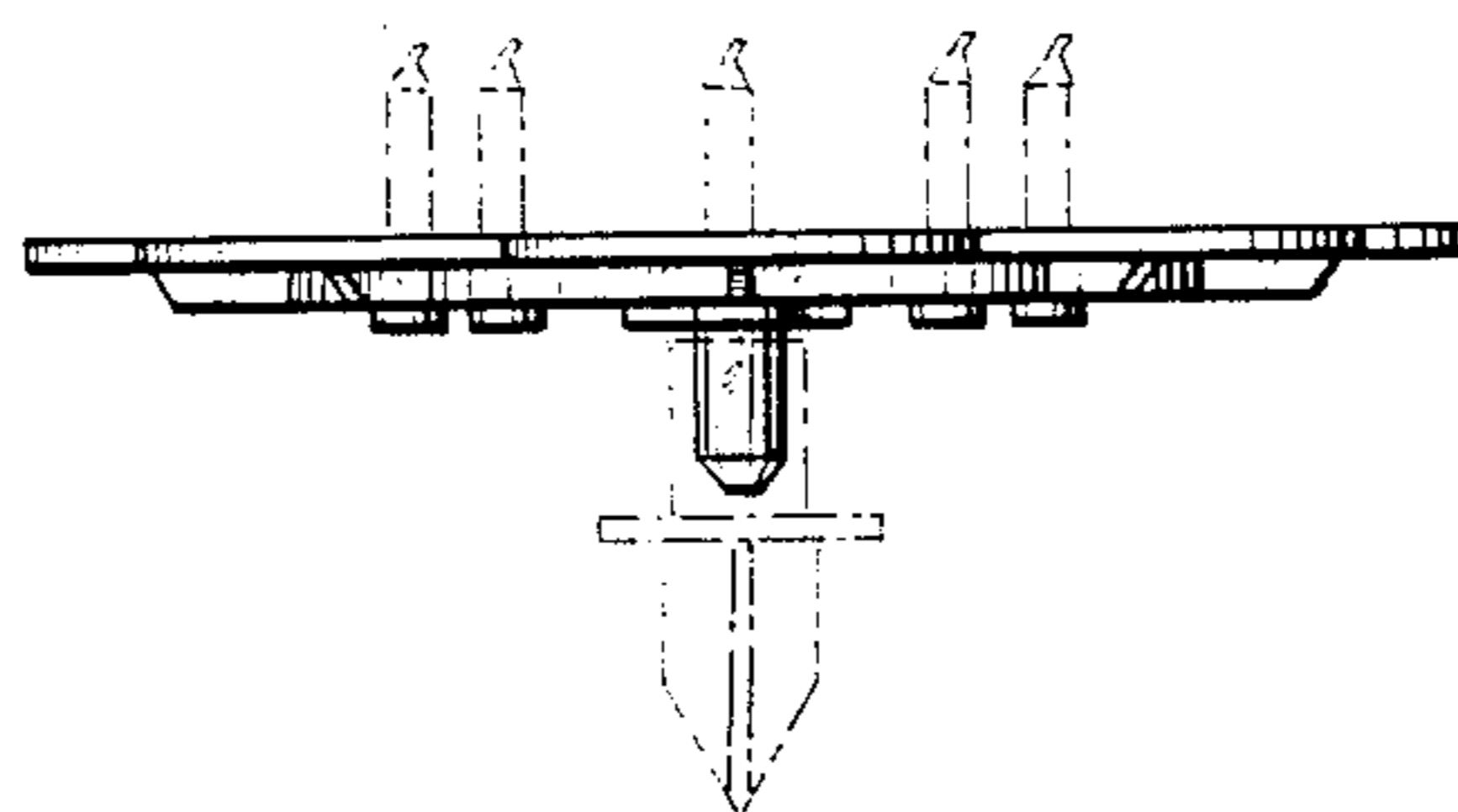
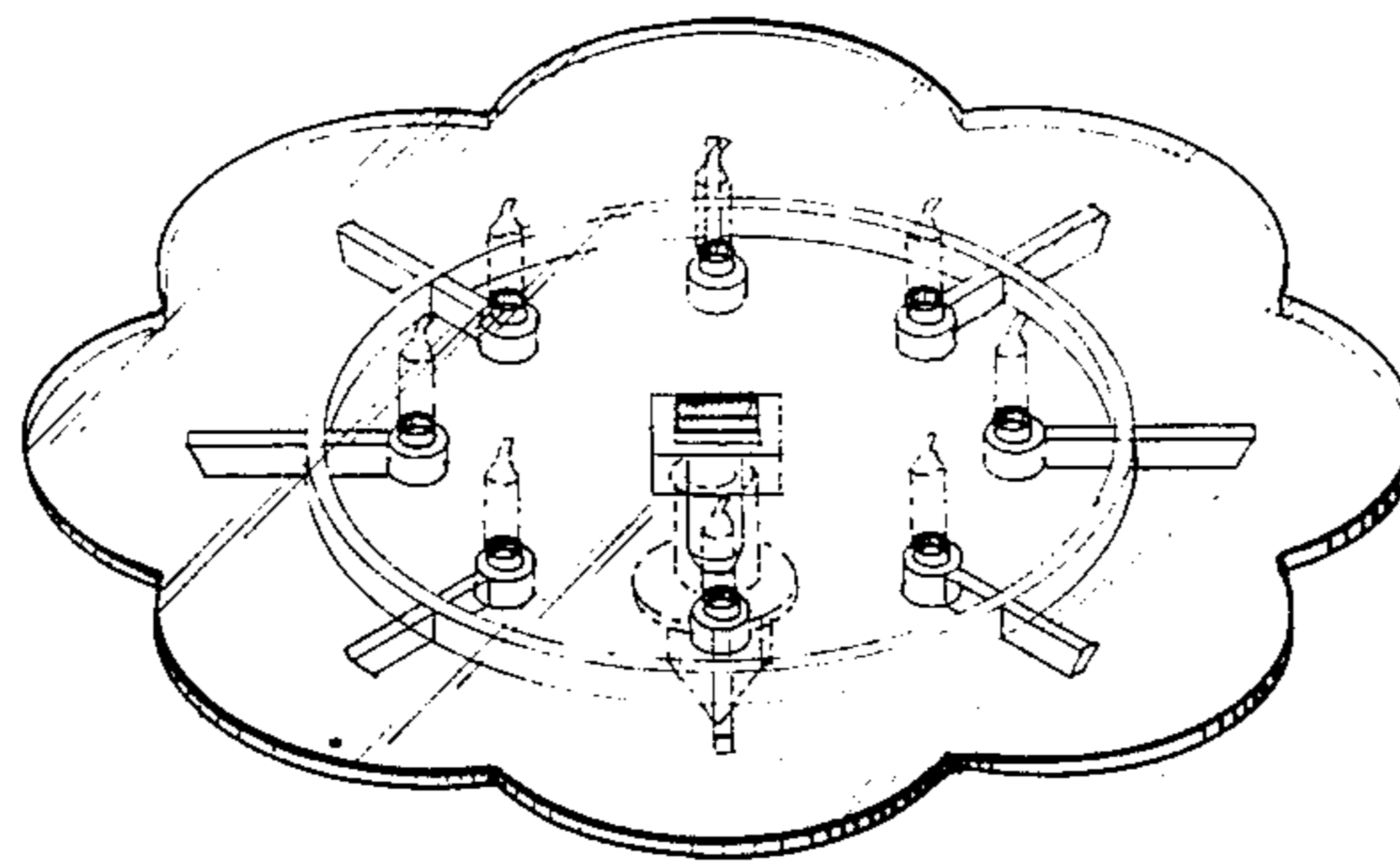
[57] CLAIM

The ornamental design for a cake shield, as shown and described.

DESCRIPTION

FIG. 1 is a perspective view of a cake shield showing my new design;  
FIG. 2 is a top plan view thereof;  
FIG. 3 is a front elevational view thereof;  
FIG. 4 is a side elevational view thereof; and  
FIG. 5 is a bottom plan view thereof.

The candles are shown in broken lines for illustrative purposes only.



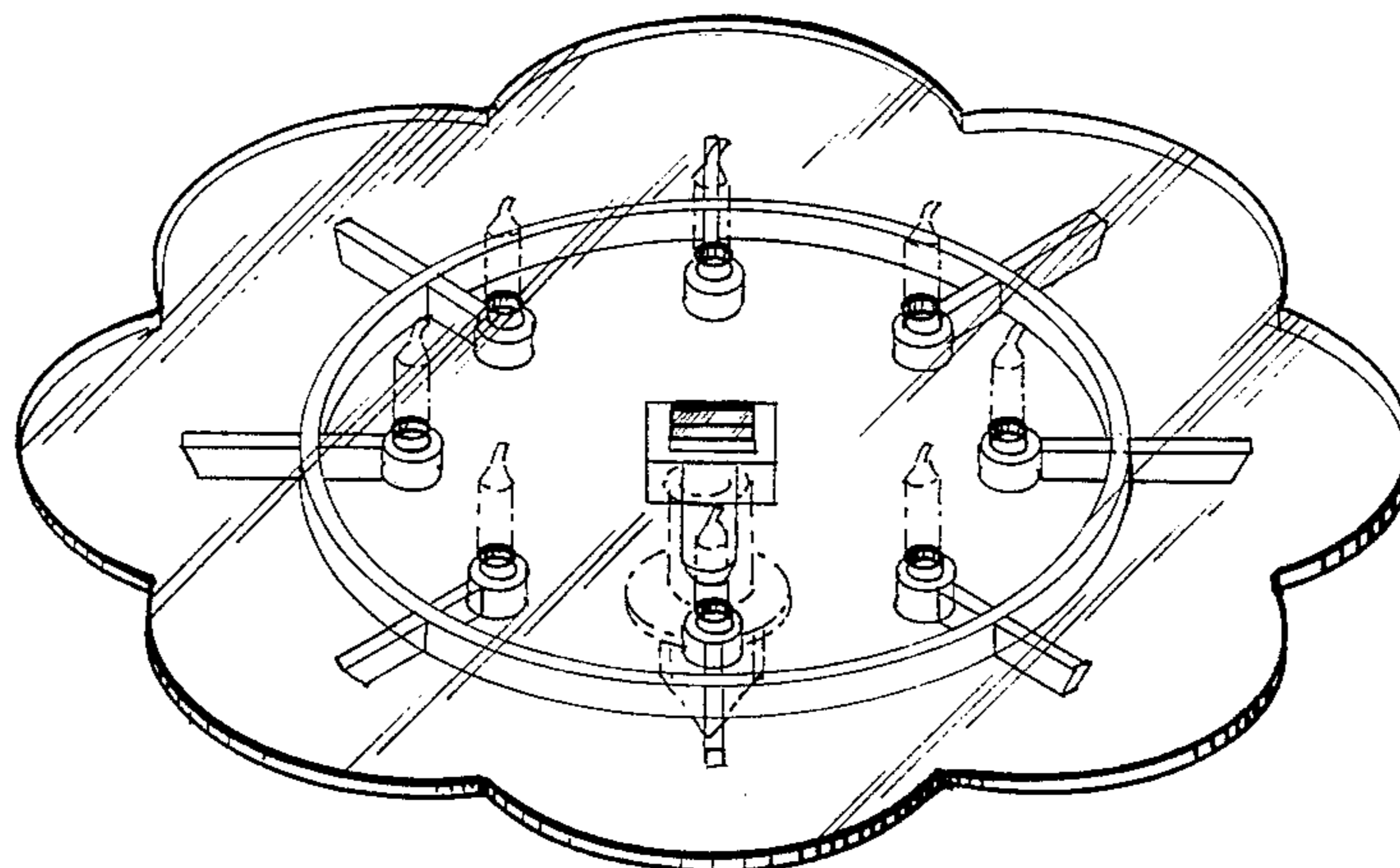


FIG. 1

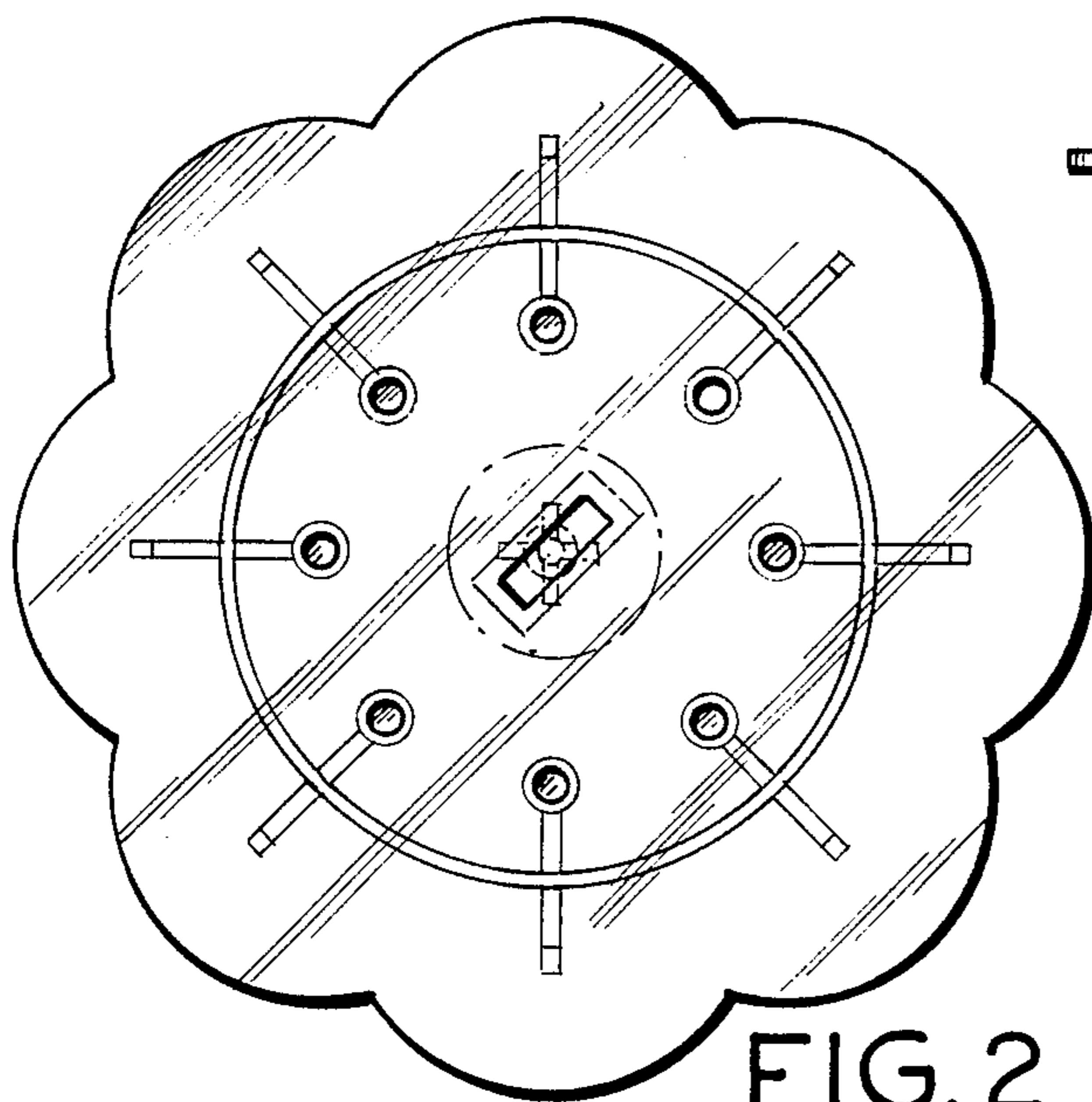


FIG. 2

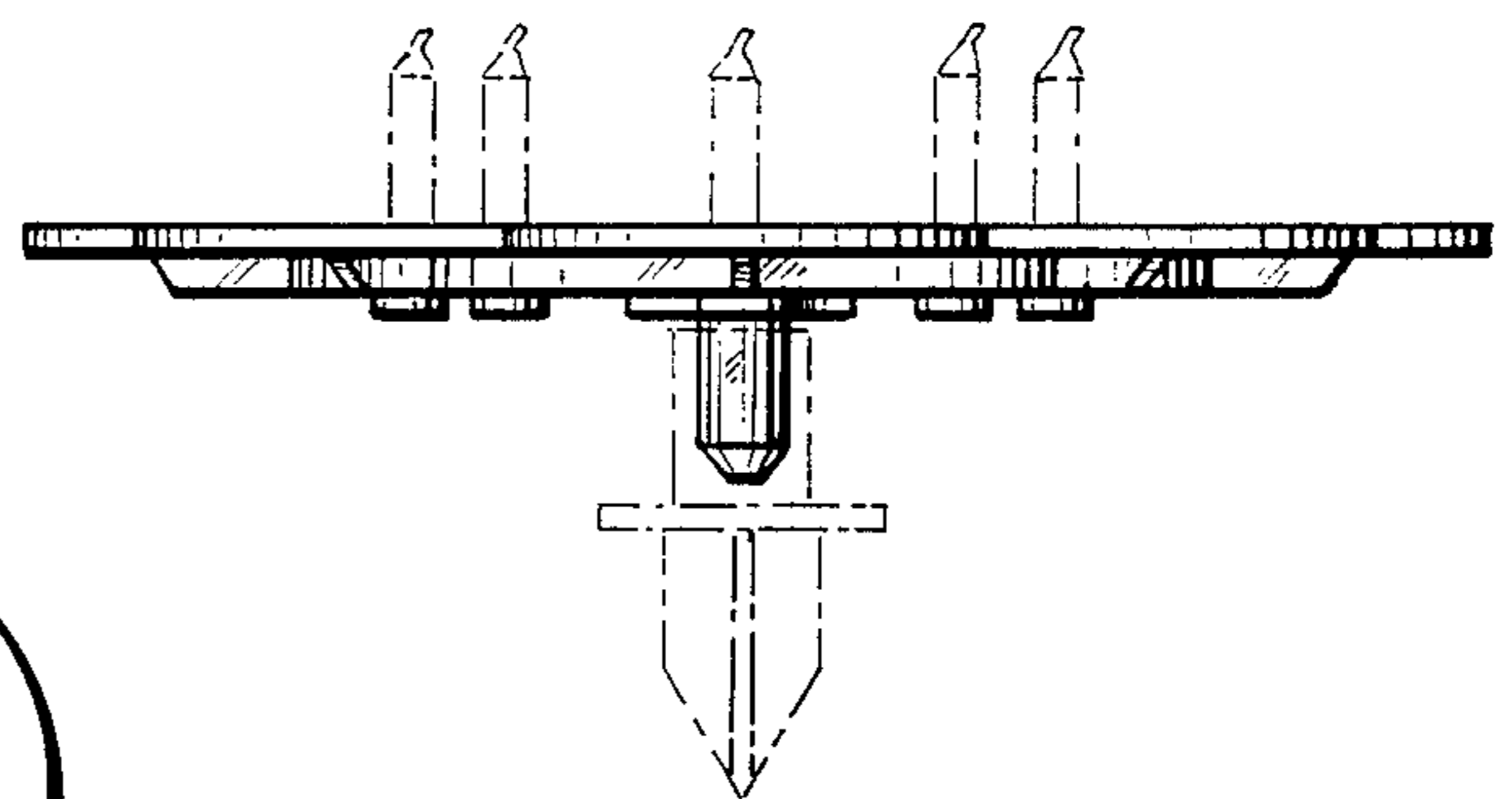


FIG. 4

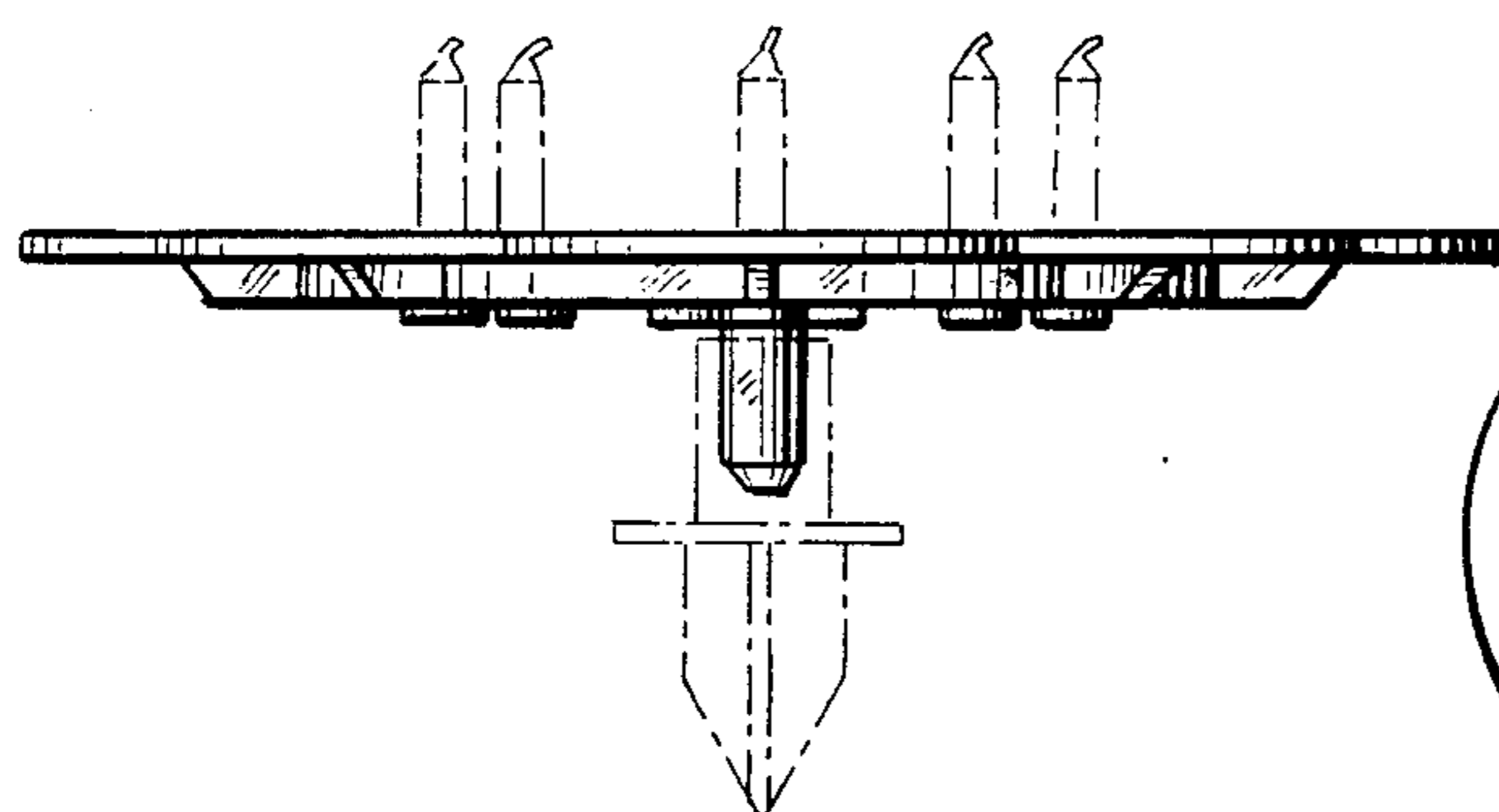


FIG. 3

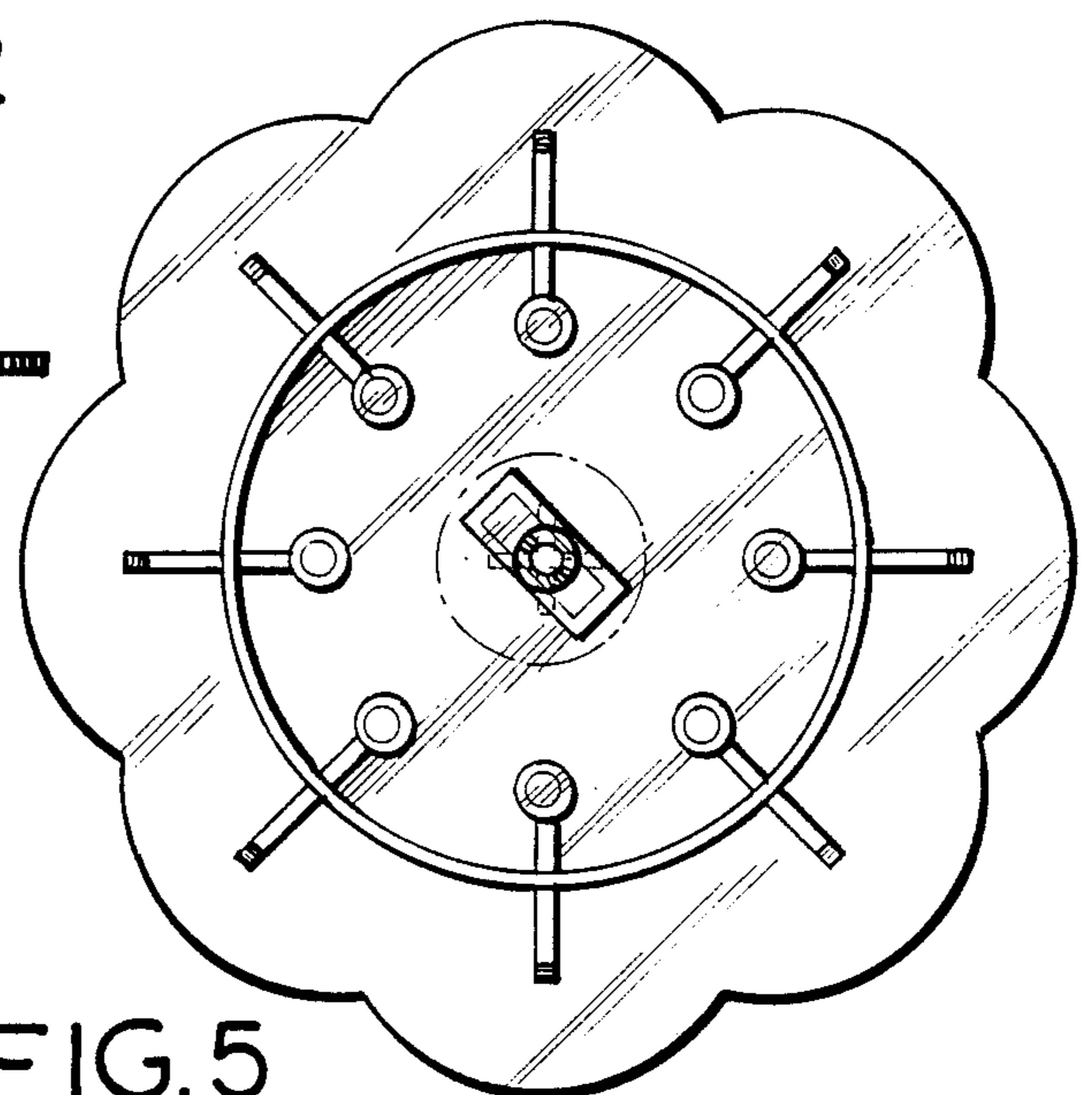


FIG. 5