

[54] PRESSURE COOKER

[75] Inventor: Mariano G. Moreno, Barcelona, Spain

[73] Assignee: Bra, S.A., Spain

[\*\*] Term: 14 Years

[21] Appl. No.: 35,170

[22] Filed: Apr. 6, 1987

[52] U.S. Cl. .... D7/358

[58] Field of Search ..... D7/360, 361, 354, 358, D7/393, 391

[56] References Cited

U.S. PATENT DOCUMENTS

D. 156,298	11/1949	Wagner	.....	D7/358
D. 184,909	4/1959	Boldt	.....	D7/358
D. 263,782	4/1982	Jackson et al.	.....	D7/358
D. 295,817	5/1988	Sebillotte	.....	D7/358

OTHER PUBLICATIONS

*Schoner Wohnen*, Jul. 1985, p. 126, "Perfect", von WMF, Pressure Cooker-top center.  
*Hong Kong Enterprise*, Mar. 1983, p. 1, Sunnex Products

Ltd., Handles on top left pot & bottom of pot at lower left.

*Form 88*, 4-1979, p. 44-"D", Shaped Handle on middle row of pots/handle at far right.

*Primary Examiner*—Winifred E. Herrmann  
*Attorney, Agent, or Firm*—Steinberg & Raskin

[57] CLAIM

The ornamental design for a pressure cooker, as shown and described.

DESCRIPTION

FIG. 1 is a front elevational view of a pressure cooker showing my new design, the rear view being a mirror image thereof;

FIG. 2 is a top plan view thereof;

FIG. 3 is a right side elevational view thereof;

FIG. 4 is a left side elevational view thereof;

FIG. 5 is a bottom plan view thereof;

FIG. 6 is a sectional view taken along line 6—6 of FIG. 1; and

FIG. 7 is a sectional view taken along line 7—7 of FIG. 1.

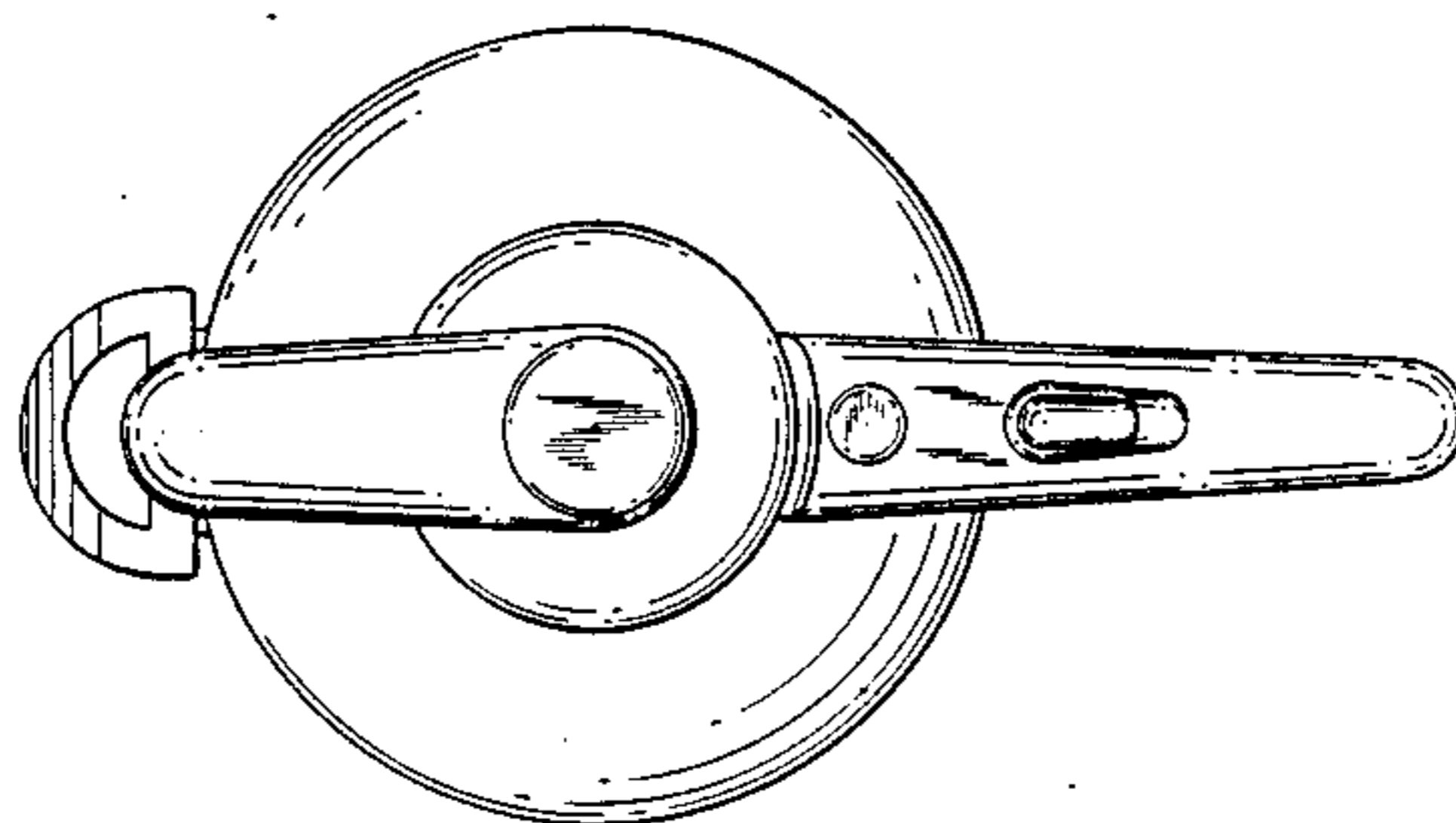
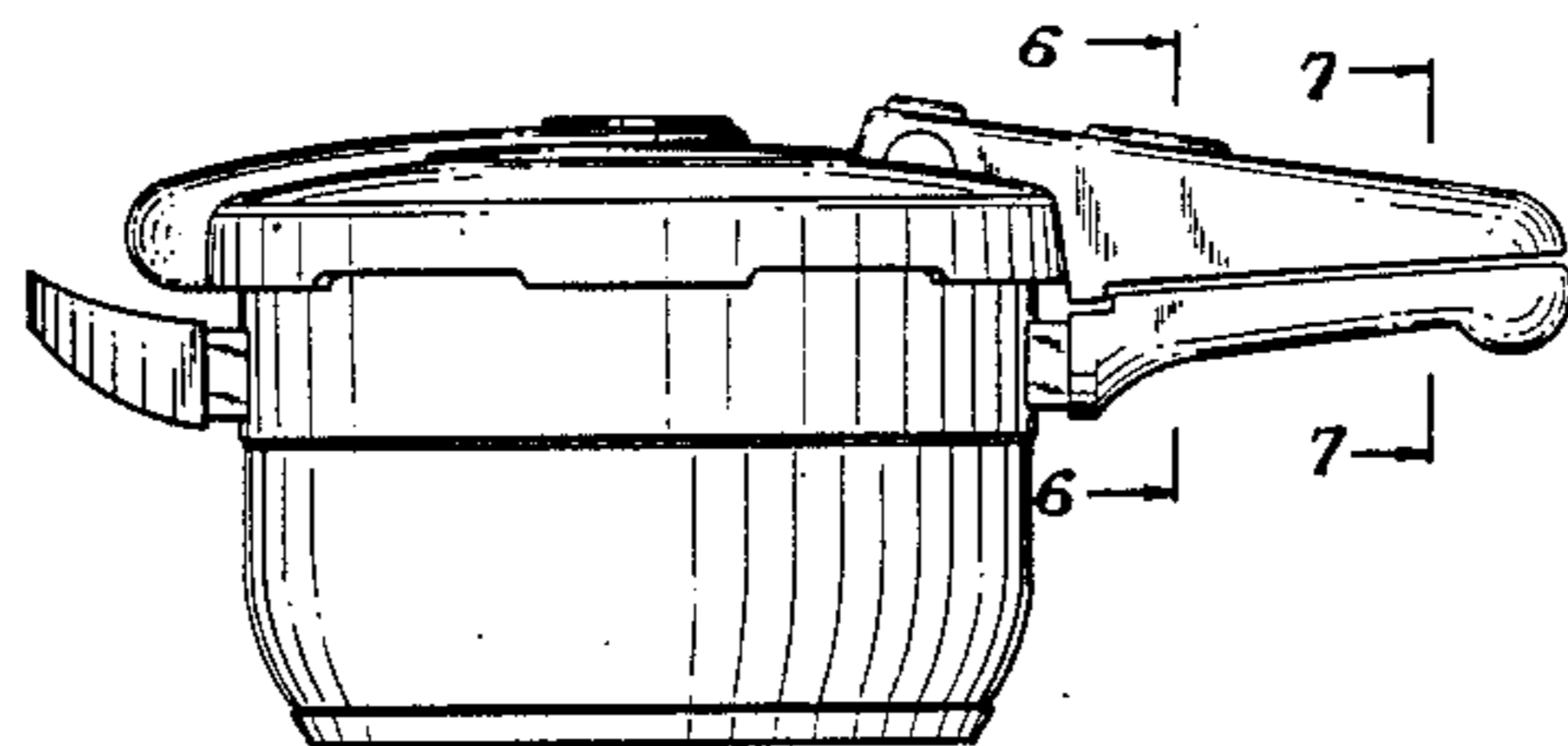


FIG. 1

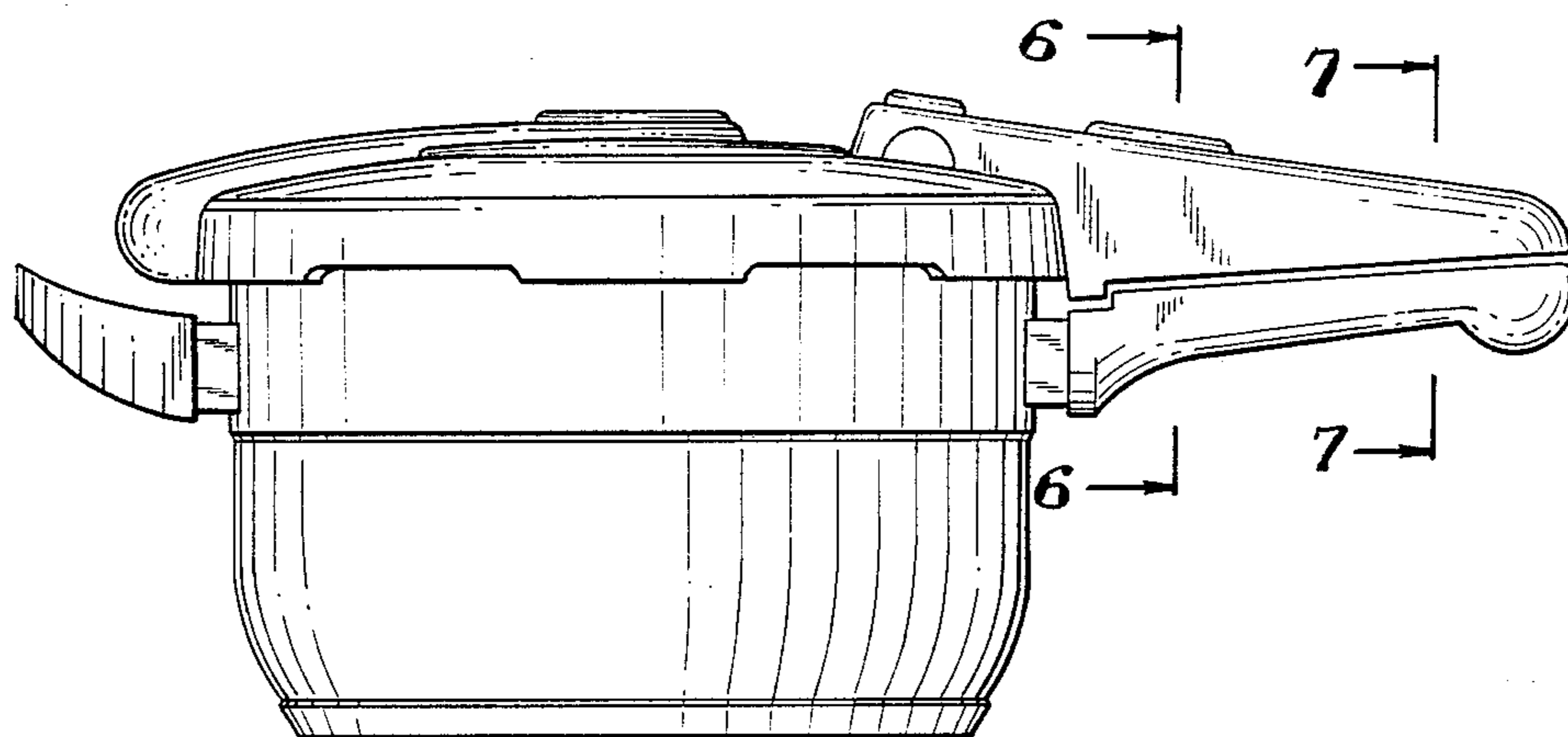
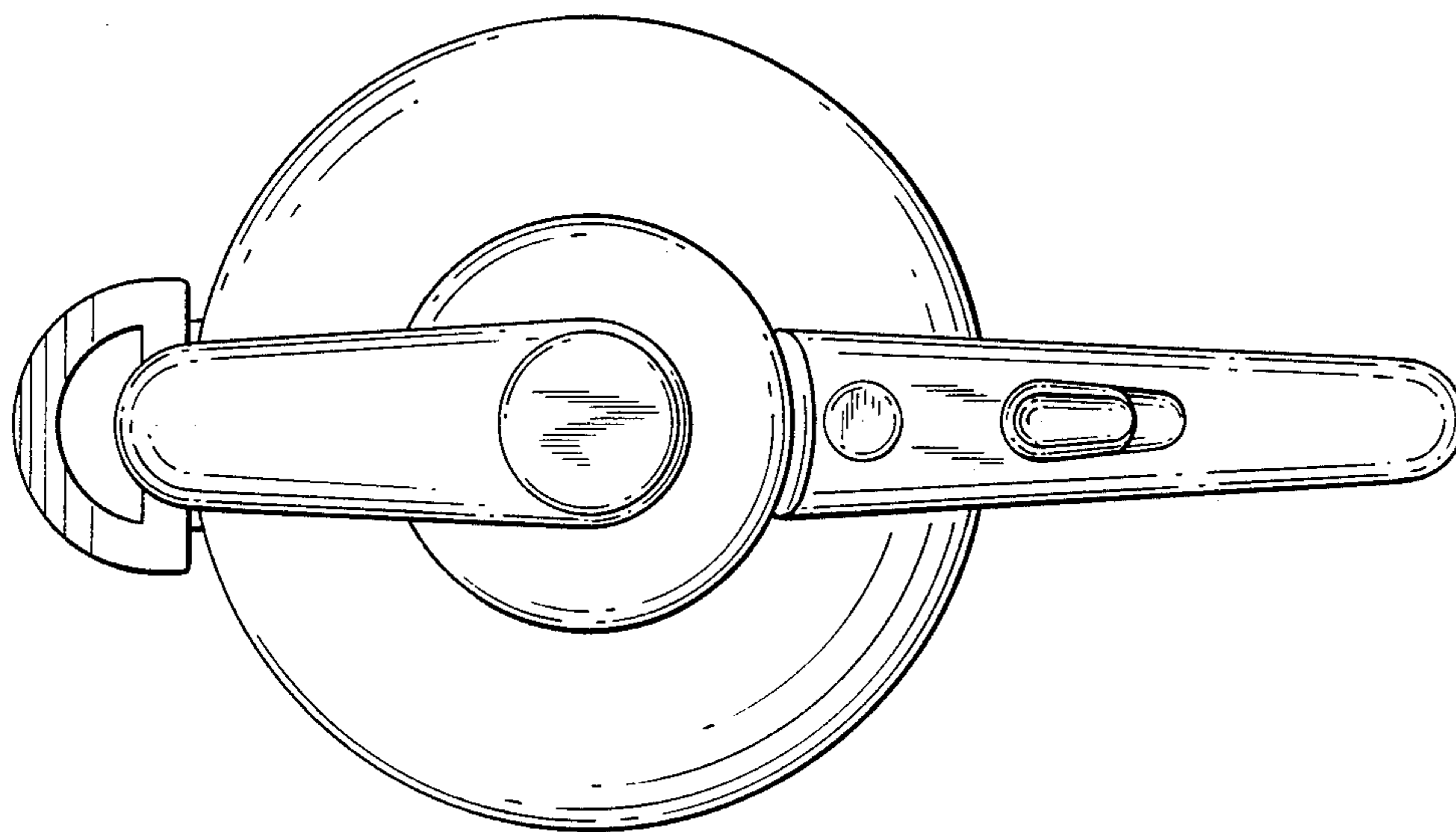
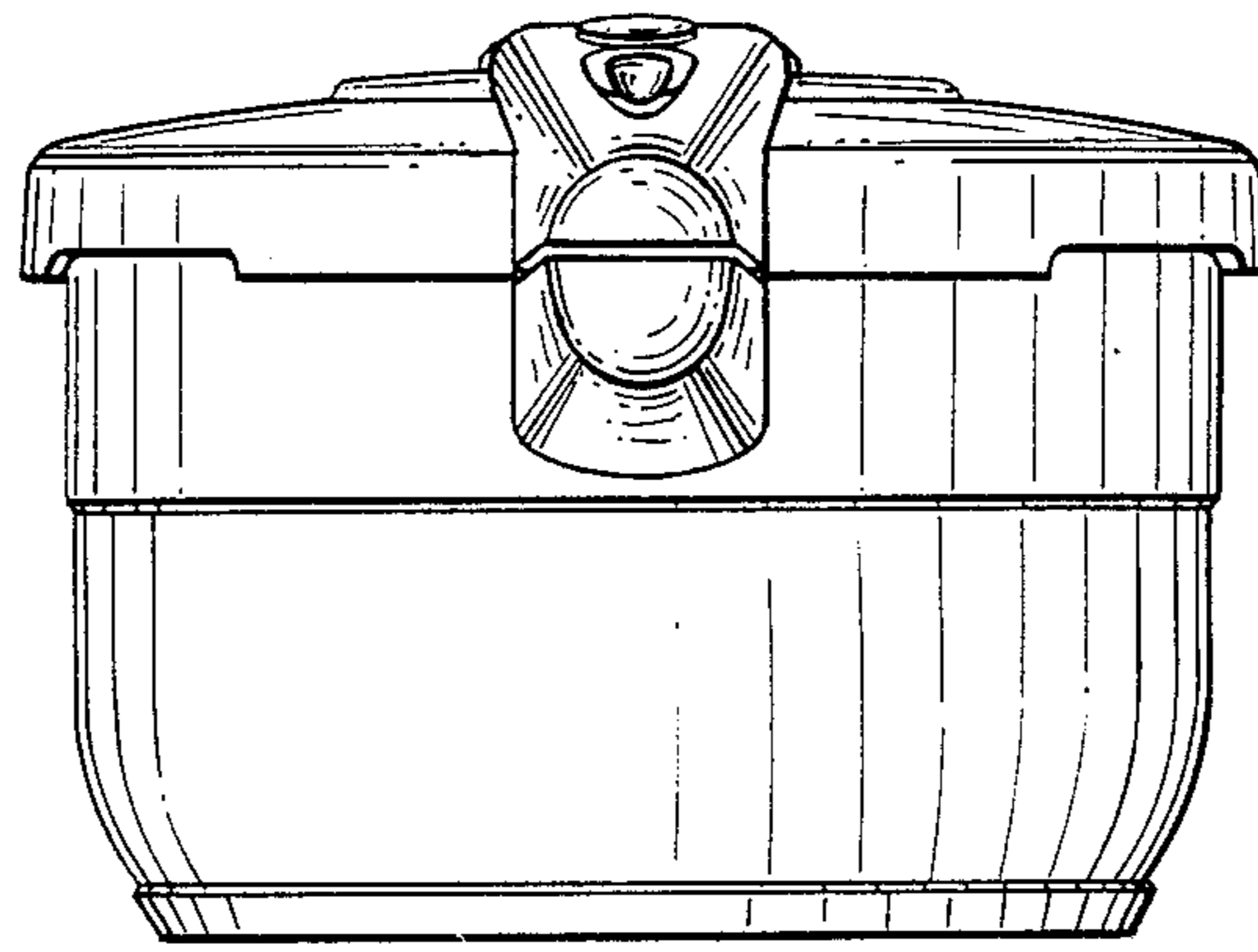
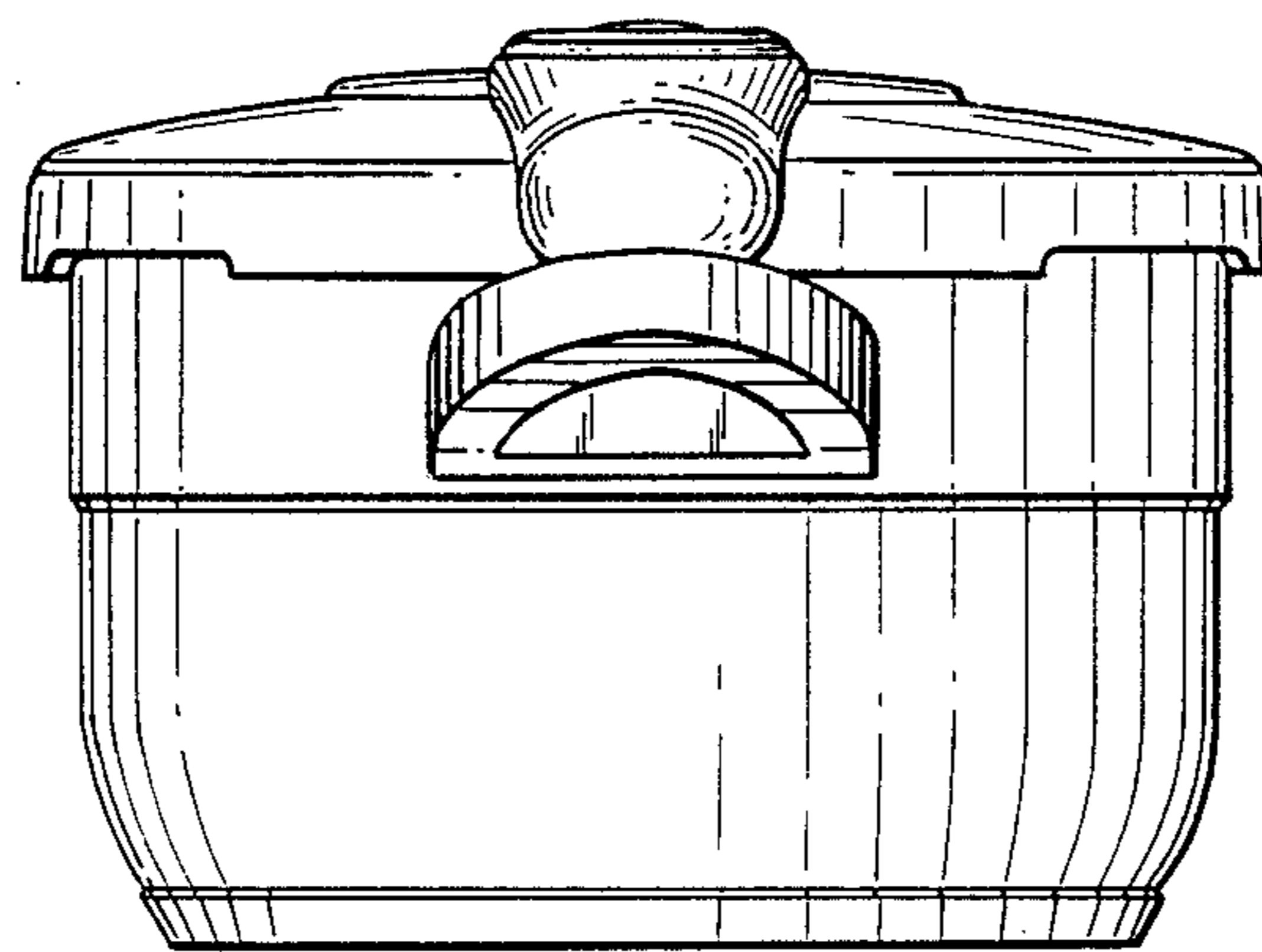


FIG. 2



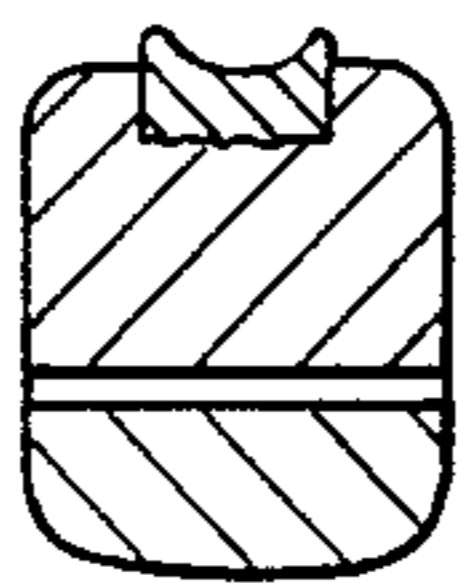
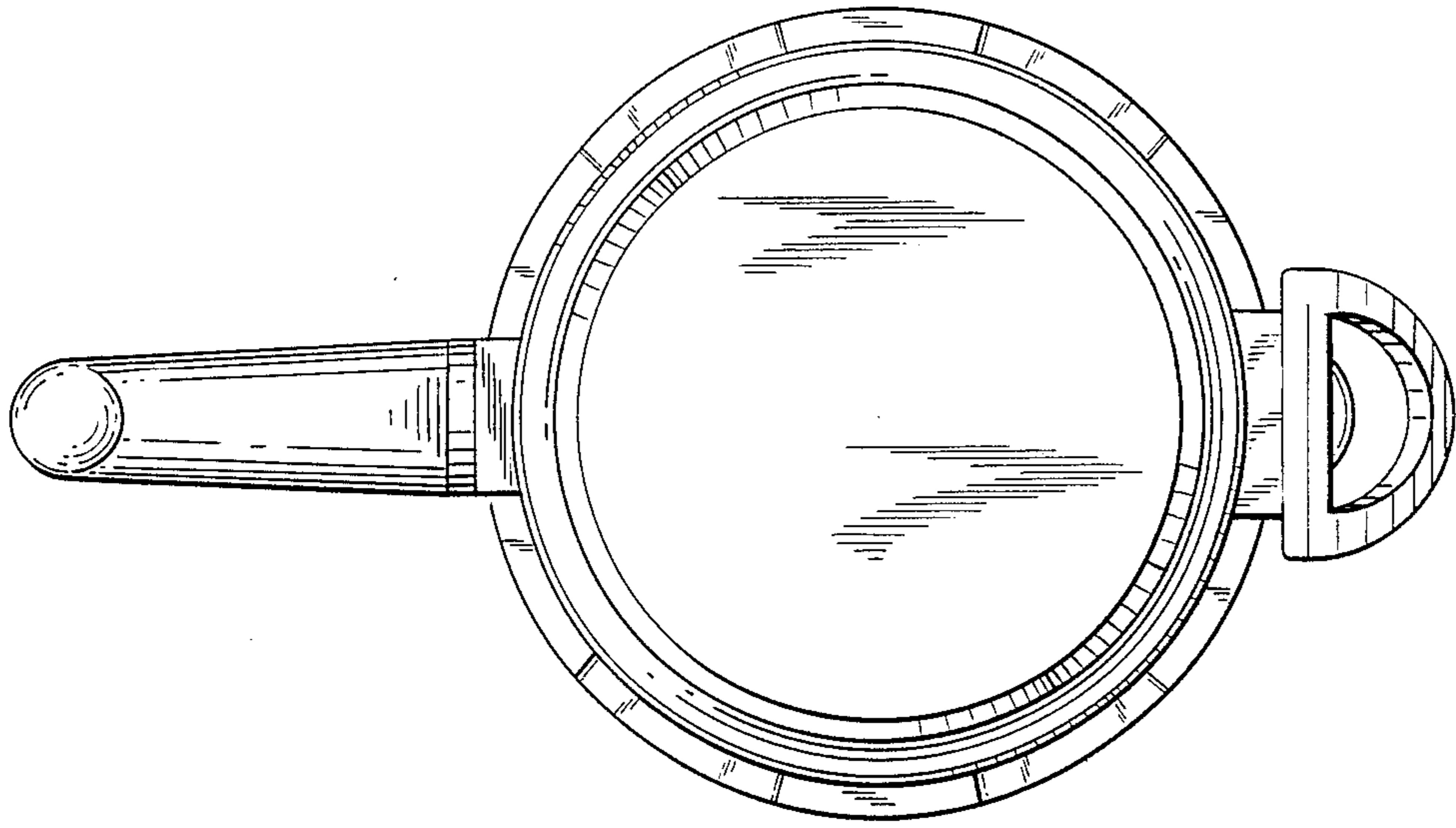


*FIG. 3*



*FIG. 4*

*FIG. 5*



*FIG. 6*



*FIG. 7*