

[54] SERVING PLATE OR SIMILAR ARTICLE

[75] Inventor: Steve A. Unger, Manilus, N.Y.

[73] Assignee: Syracuse China Corporation, Syracuse, N.Y.

[**] Term: 14 Years

[21] Appl. No.: 163,411

[22] Filed: Mar. 3, 1988

[52] U.S. Cl. D7/545; D7/586

[58] Field of Search D7/586, 582, 545, 566, D7/543, 544, 550-552, 554, 588, 500, 505, 567, 569, 587, 570

[56] References Cited

U.S. PATENT DOCUMENTS

D. 40,860	9/1910	Ahrenfeldt	D7/570
D. 103,256	2/1937	Trarieux	D7/585
D. 244,245	5/1977	Jensen	D7/586
D. 283,664	5/1986	Murai	D7/570
D. 303,196	9/1989	Unger	D7/586

OTHER PUBLICATIONS

Jackson Vitrified China Co., Cat. #11, May 27, 1948, p. 44, Item #372, Item #374-Plate and Platter.

Woodies Is My Way, Oct. 11, 1985, p. 11, Dinnerware by Block, Item #11A-"Black Pearl"/Black with White Swirl.

Jackson China, Jun. 6, 1975, p. 7, "Swirl", Platter and Plates.

Primary Examiner—Winifred E. Herrmann

Attorney, Agent, or Firm—Cushman, Darby & Cushman

[57] CLAIM

The ornamental design for a serving plate or similar article, as shown and described.

DESCRIPTION

FIG. 1 is a top plan view of a serving plate or similar article showing my new design;

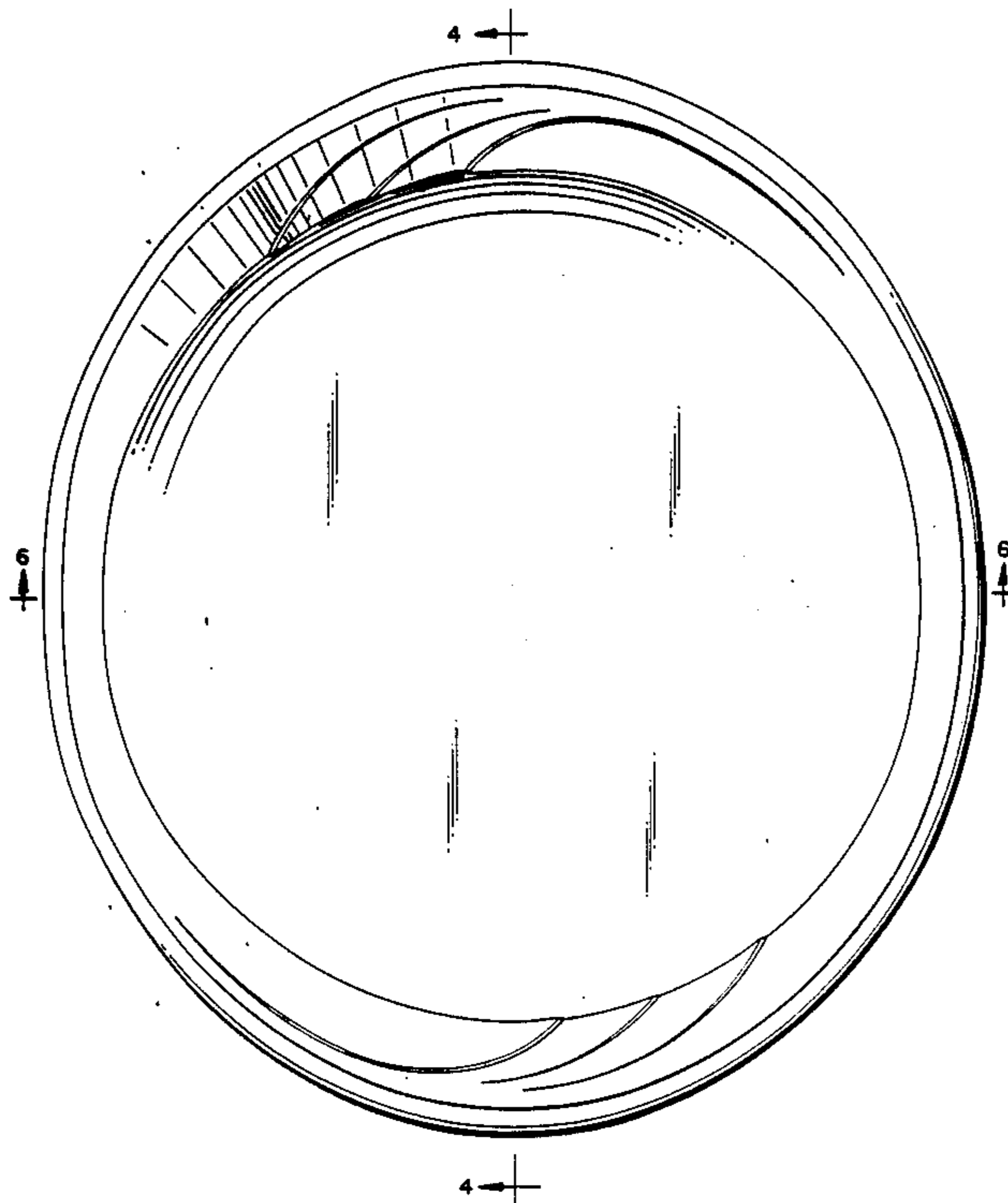
FIG. 2 is an end elevational view, the opposite end being a mirror image thereof;

FIG. 3 is a bottom plan view thereof;

FIG. 4 is a sectional view along the length thereof taken along line 4—4 of FIG. 1;

FIG. 5 is a side elevational view, the opposite side being a mirror image thereof; and

FIG. 6 is a sectional view across the width thereof taken along line 6—6 of FIG. 1.



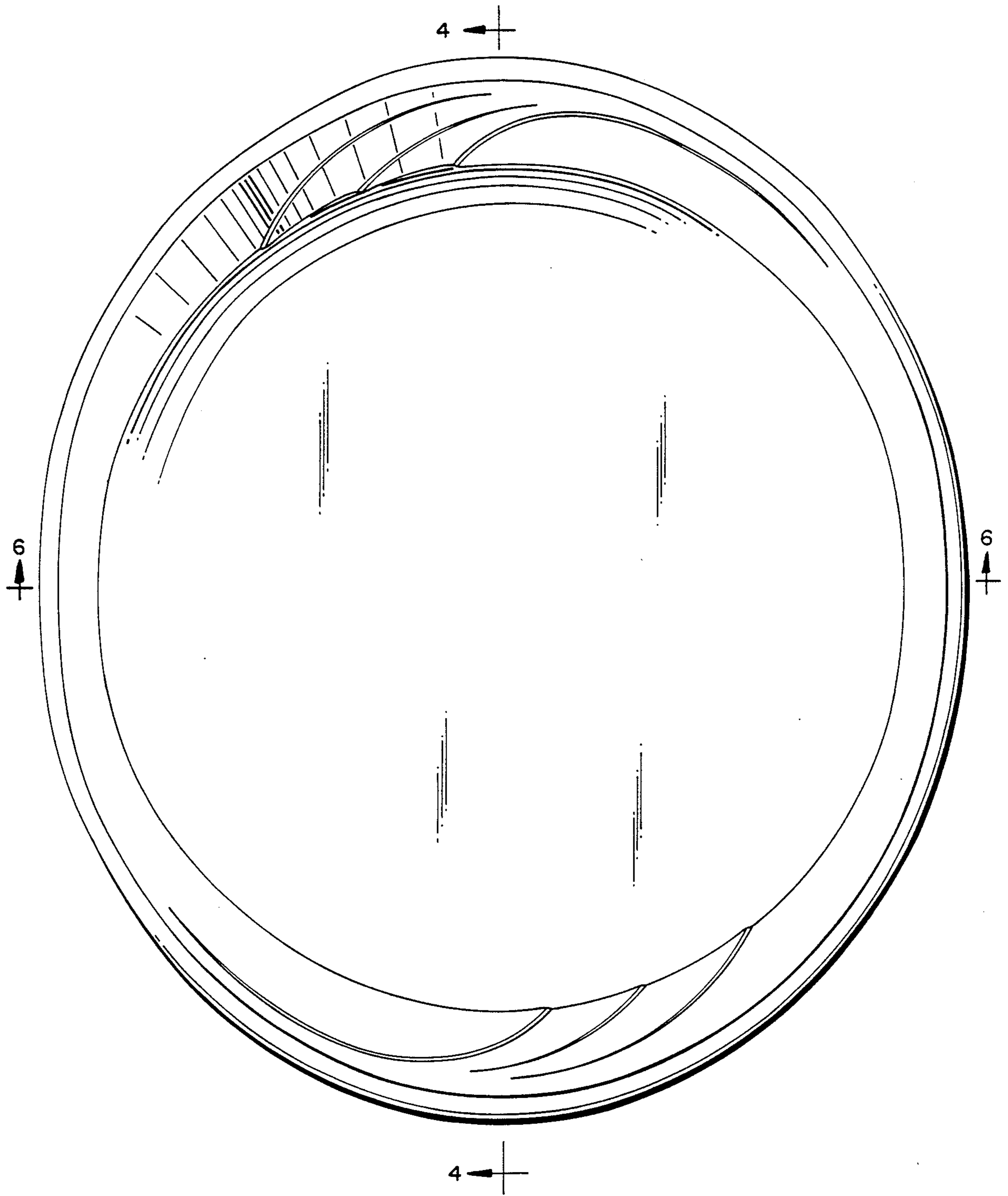


Fig. 1

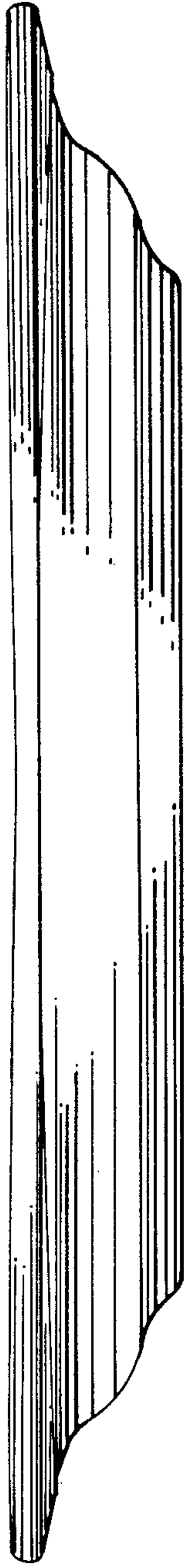


Fig. 5

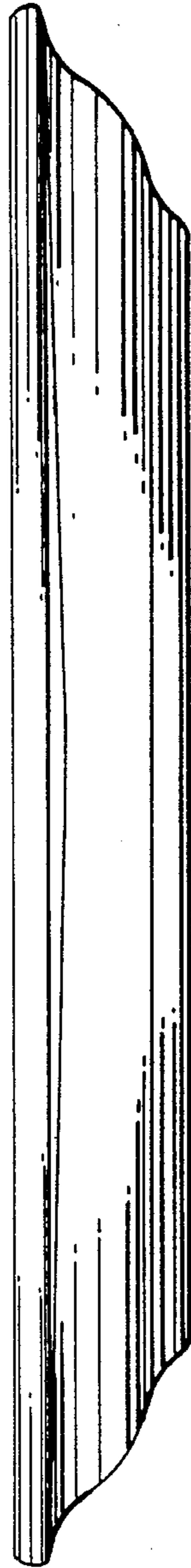
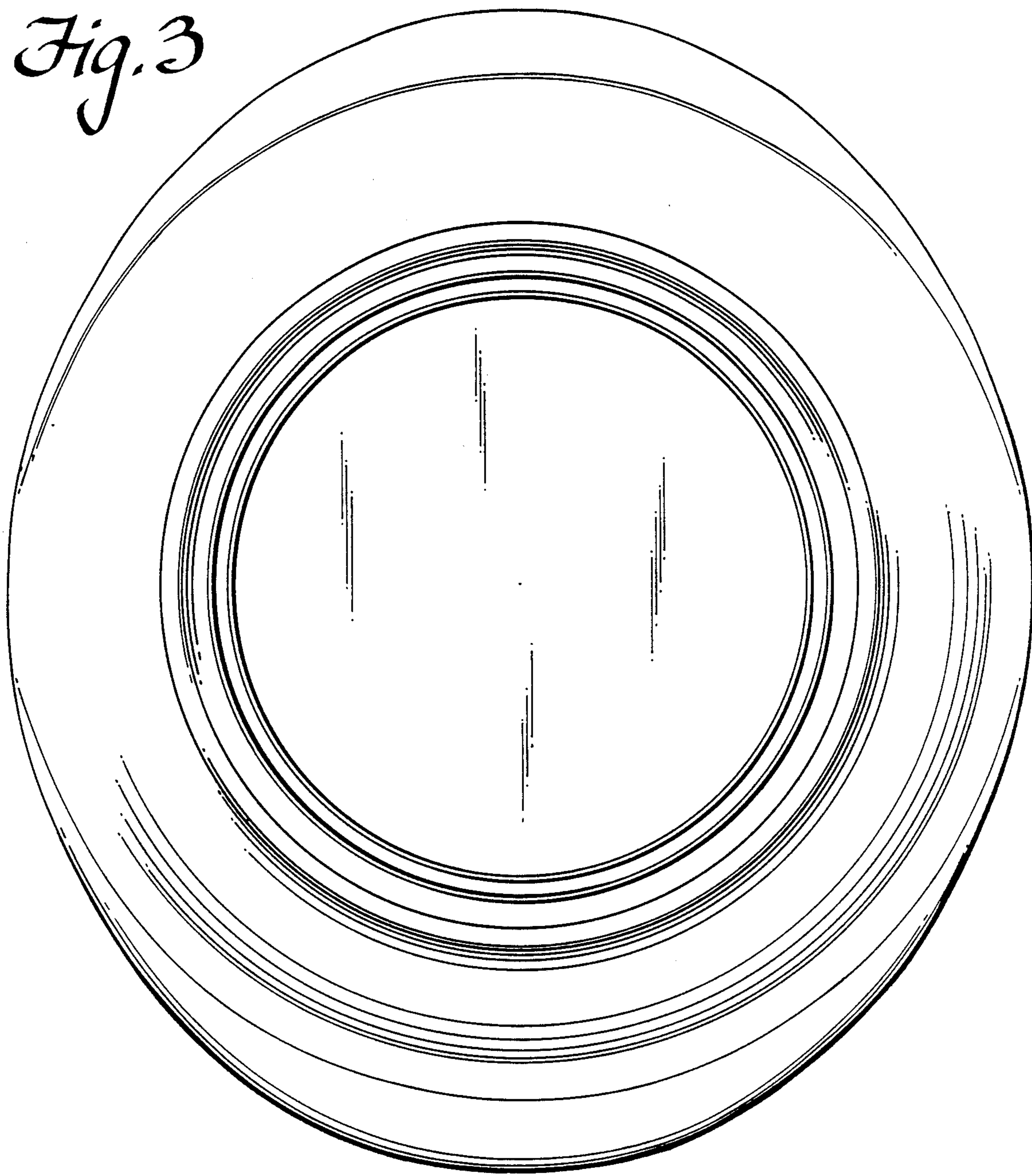


Fig. 2

Fig. 3



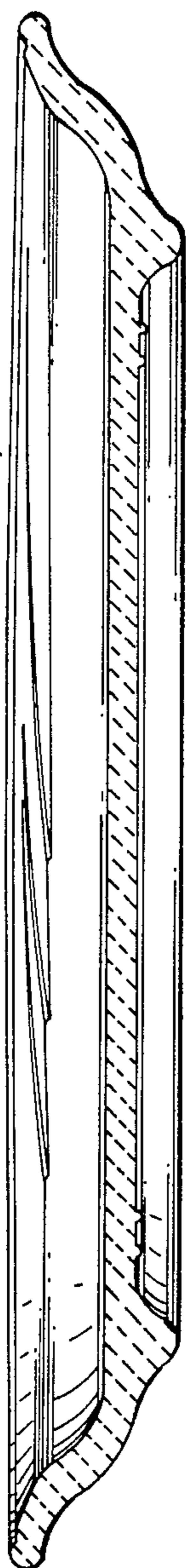


Fig. 6

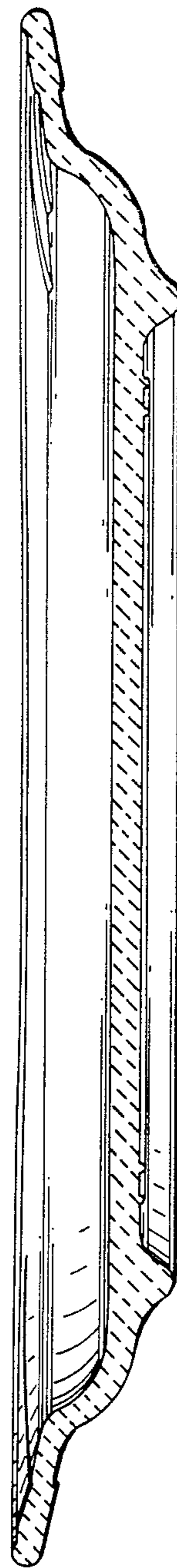


Fig. 4