

[54] JUMBO TOILET TISSUE DISPENSER

[75] Inventor: Jerry A. Sigmund, Bala Cynwyd, Pa.

[73] Assignee: Scott Paper Company, Philadelphia, Pa.

[**] Term: 14 Years

[21] Appl. No.: 400,893

[22] Filed: Aug. 30, 1989

[52] U.S. Cl. D6/523

[58] Field of Search D6/515, 518, 522-523; 242/55.2, 55.3, 55.53, 56 R; 312/37; 211/13, 16, 45, 86-87; 221/33, 45, 197, 282

[56] References Cited

U.S. PATENT DOCUMENTS

D. 267,684	1/1983	Lander	D6/521
D. 299,602	1/1989	Nordlander	D6/518
D. 307,845	5/1990	Omdoll et al.	D6/520
3,650,487	3/1972	Bahnson	242/55.53 X
4,179,078	12/1979	Mansfield	242/55.53 X

Primary Examiner—Wallace R. Burke

Assistant Examiner—Brian N. Vinson

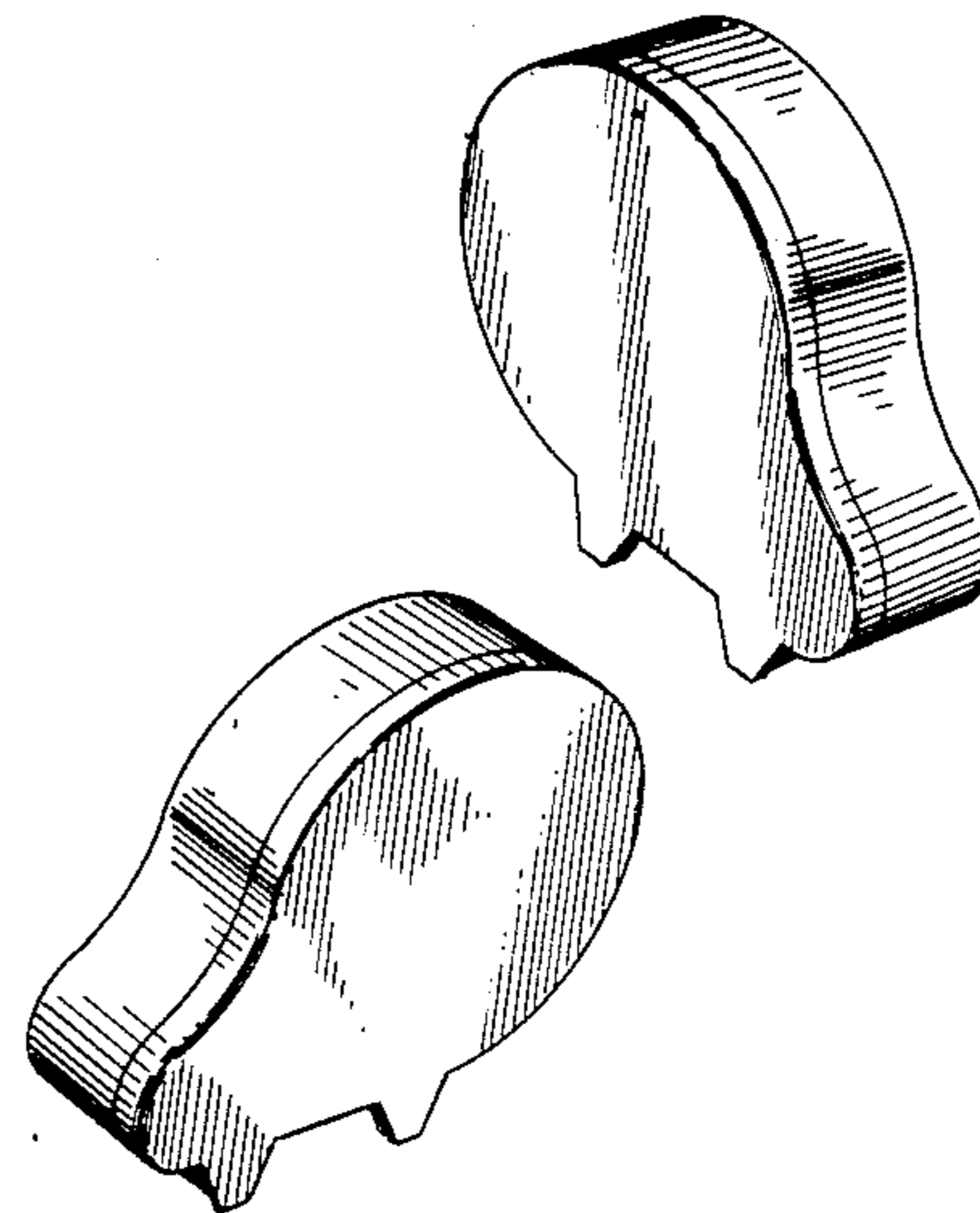
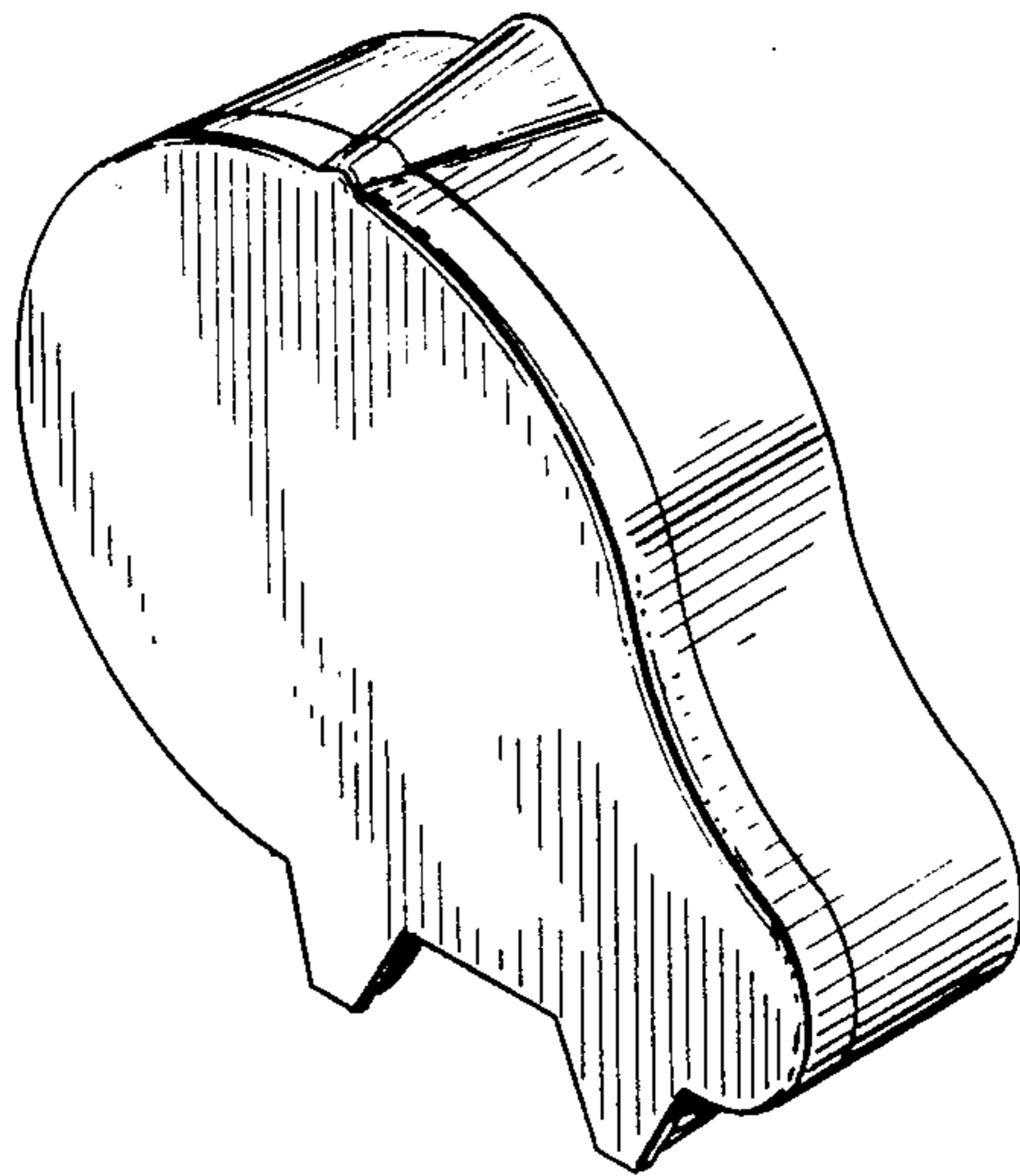
Attorney, Agent, or Firm—John W. Kane, Jr.; Nicholas J. DeBenedictis; Mark G. Bocchetti

[57] CLAIM

The ornamental design for a jumbo toilet tissue dispenser, as shown and described.

DESCRIPTION

FIG. 1 is a perspective view of a jumbo toilet tissue dispenser showing my new design;
 FIG. 2 is an enlarged top plan view thereof;
 FIG. 3 is an enlarged front elevational view thereof;
 FIG. 4 is an enlarged left side elevational view thereof;
 FIG. 5 is an enlarged side elevational view thereof;
 FIG. 6 is an enlarged rear elevational view thereof;
 FIG. 7 is an enlarged bottom plan view thereof;
 FIG. 8 is a perspective view of a second embodiment thereof, the only difference residing in the absence of the small protrusion on the top surface;
 FIG. 9 is a perspective view of a third embodiment thereof, the only difference residing in the absence of the small protrusion on the top surface and that the configuration of the dispenser is a mirror image;
 FIG. 10 is a perspective view of a fourth embodiment thereof, the only difference residing in the configuration of the small protrusion on the top surface; and
 FIG. 11 is an enlarged, fragmentary front elevational view of the top portion of the embodiment of FIG. 11, with the remaining portion omitted for clarity of illustration.



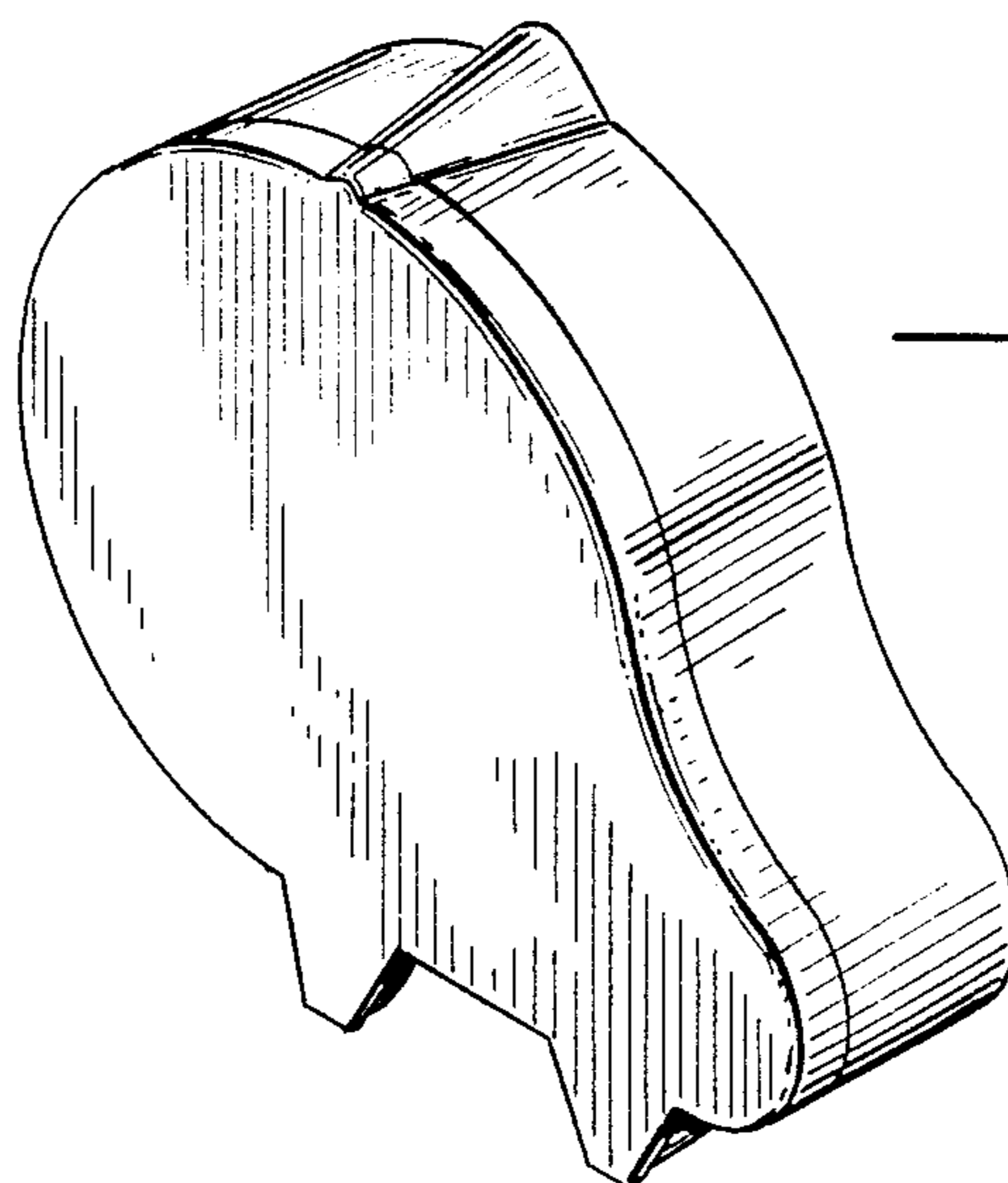


Fig. 1

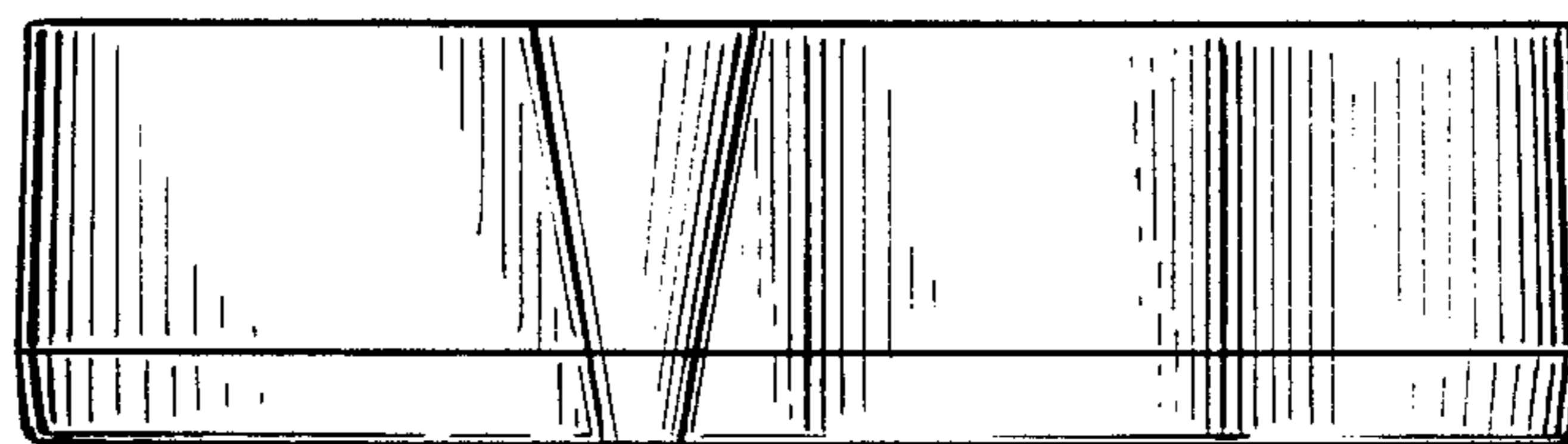


Fig. 2

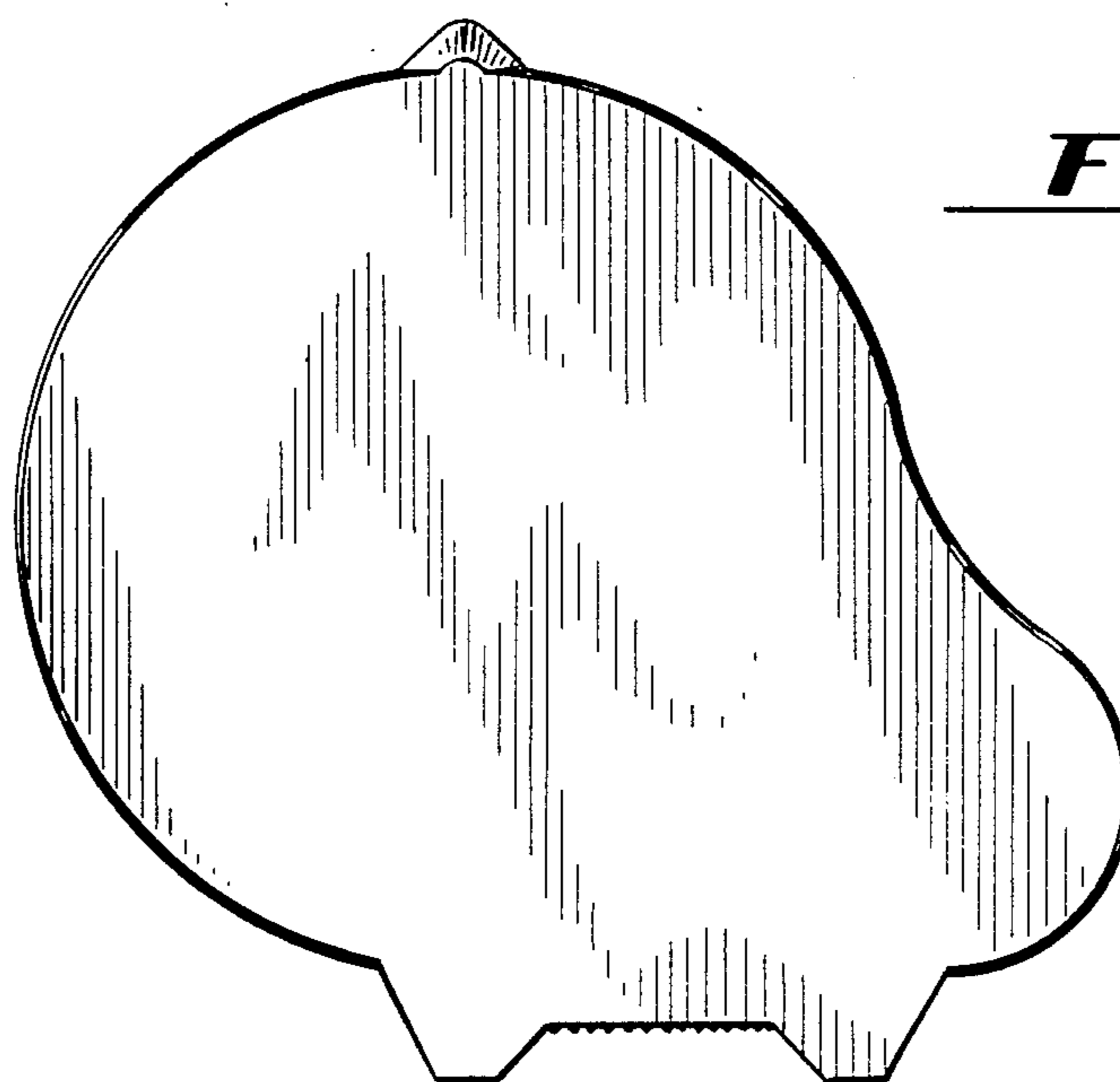
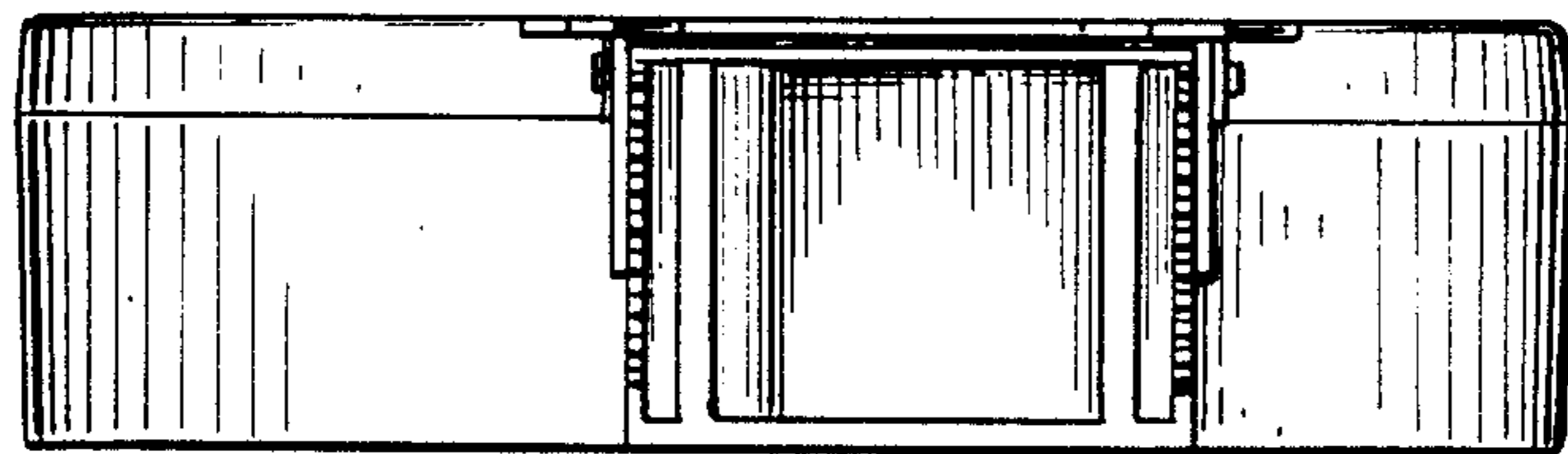
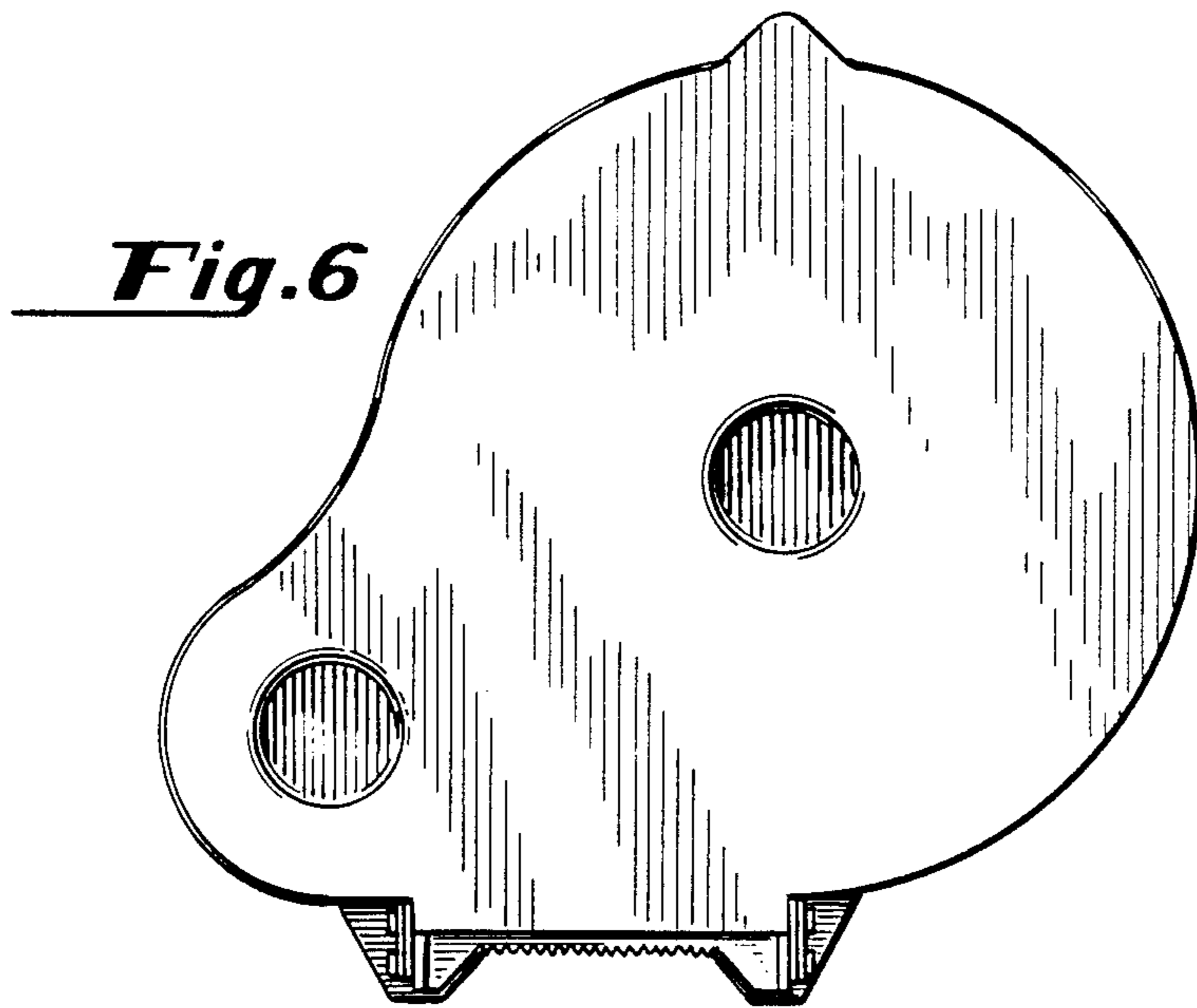
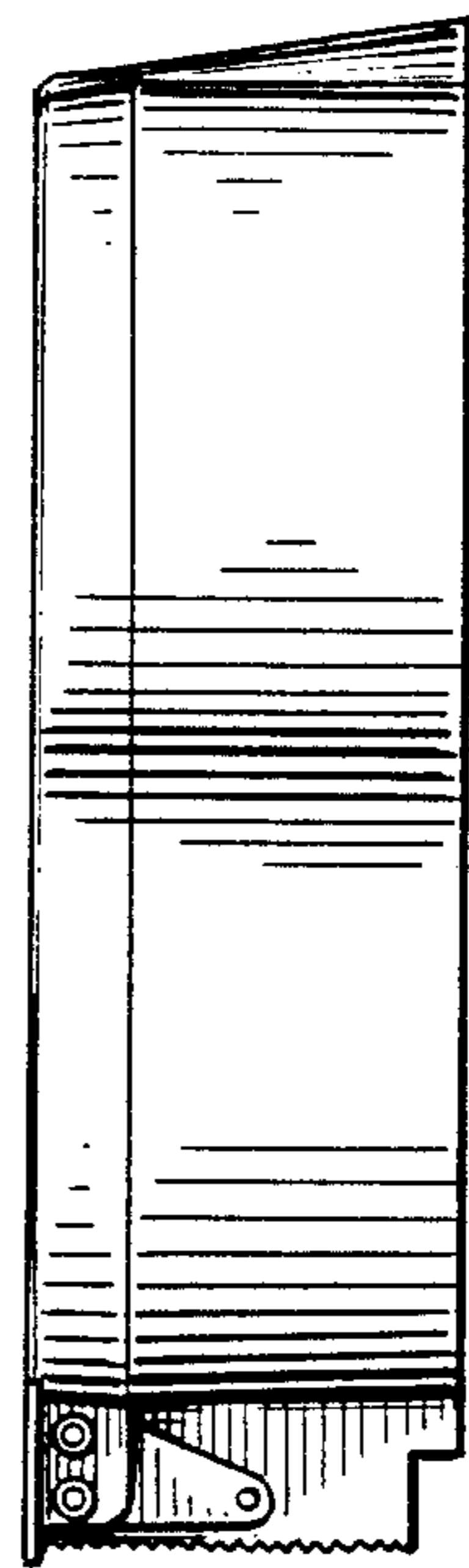
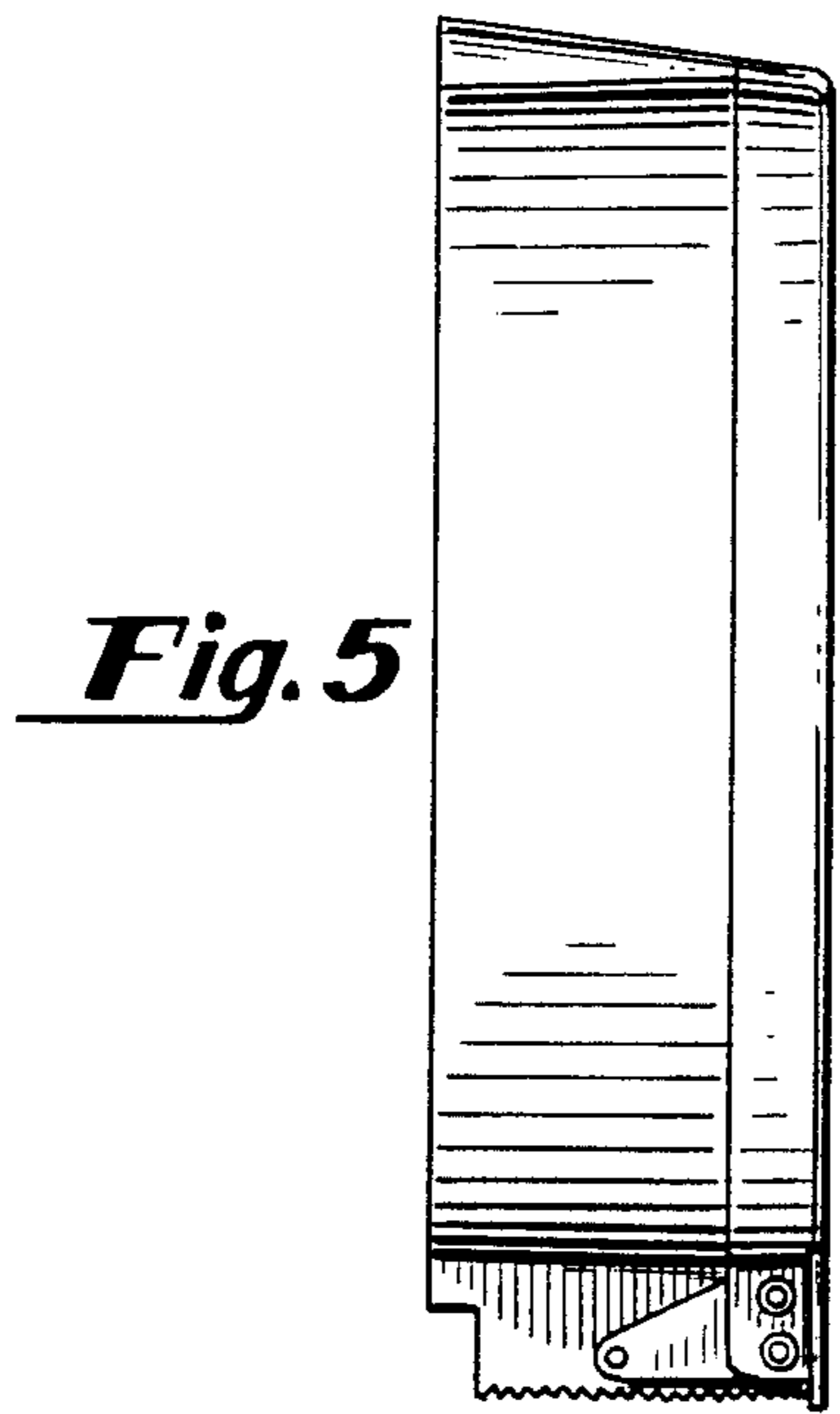


Fig. 3



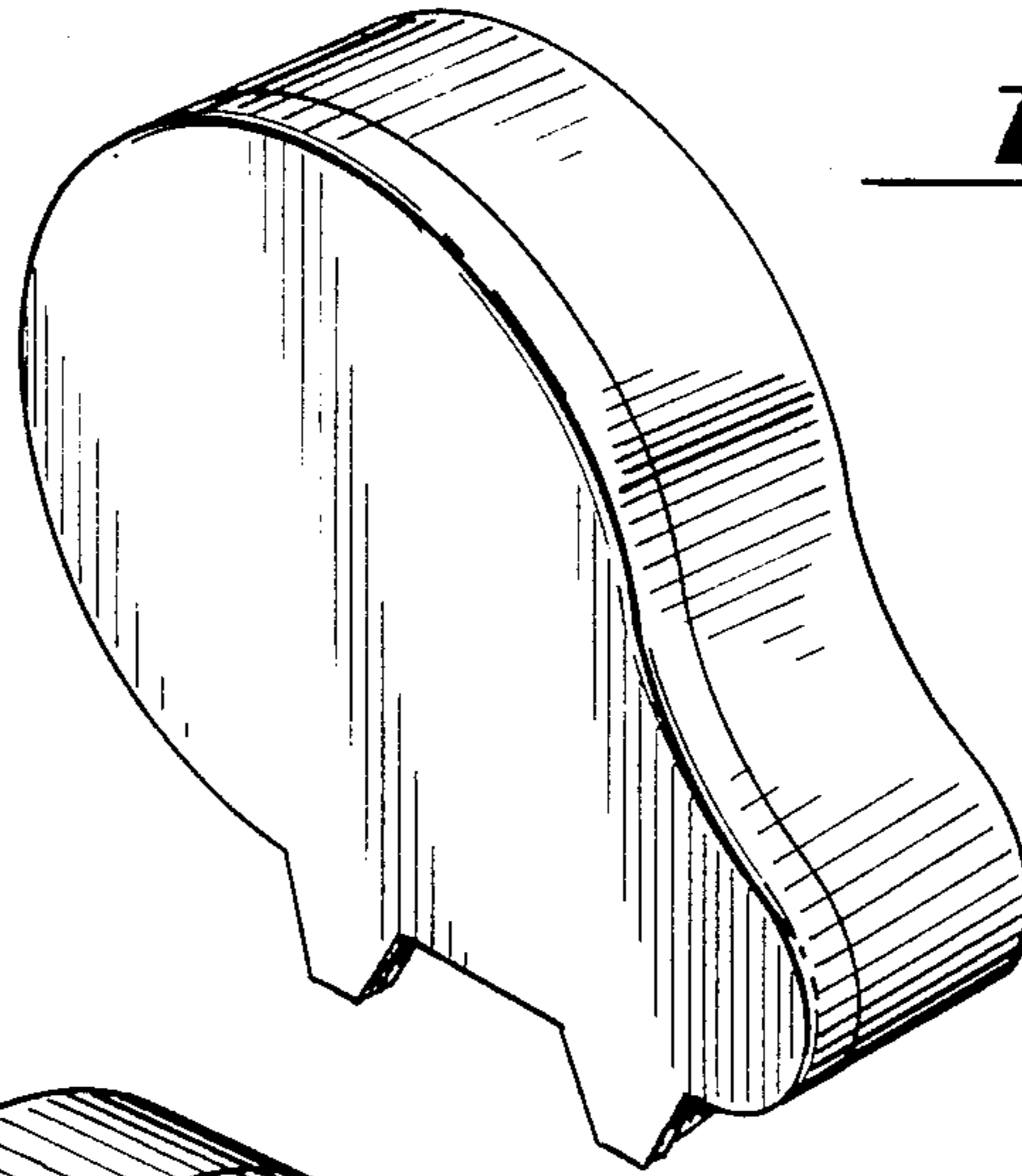


Fig. 8

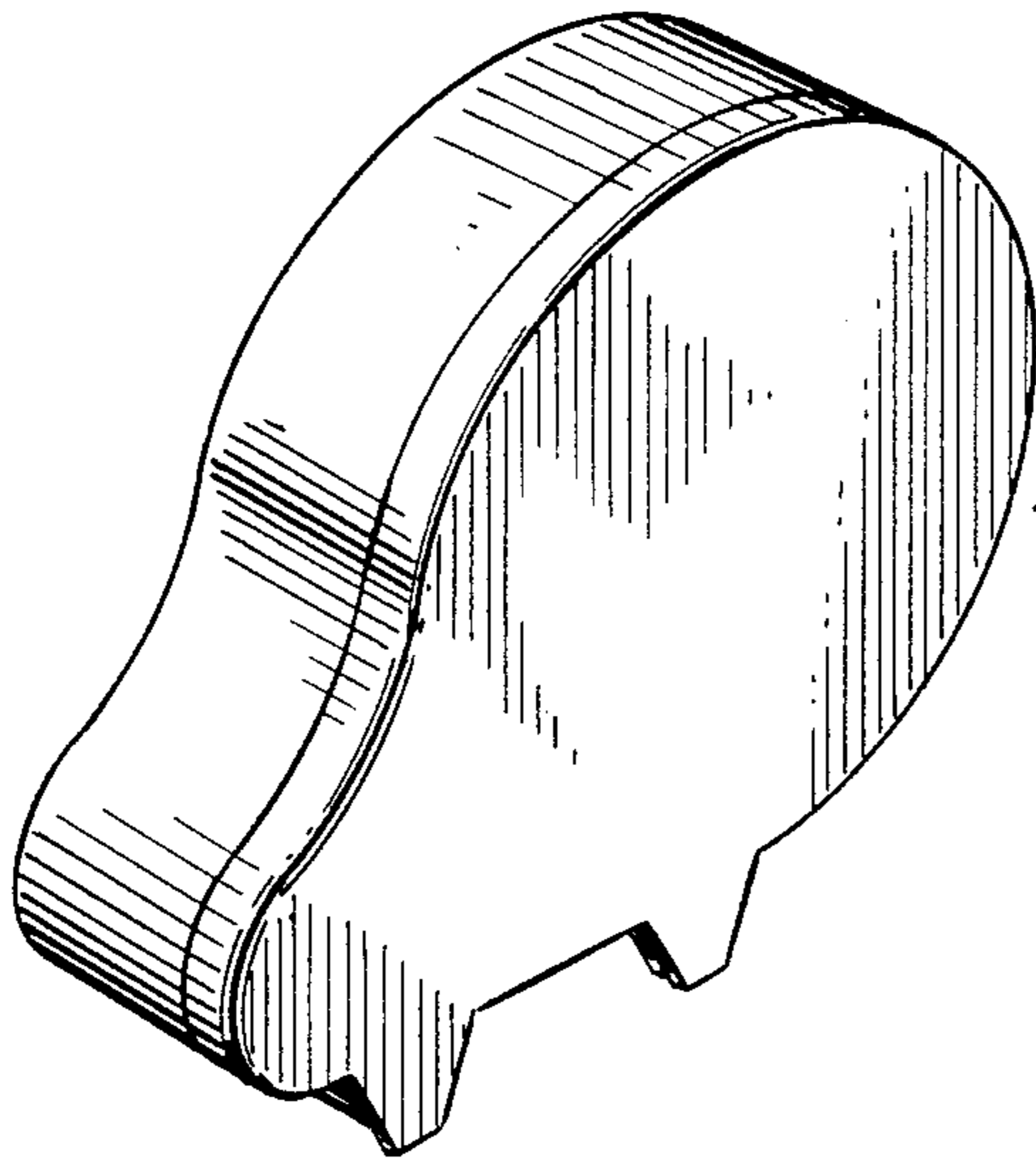


Fig. 9

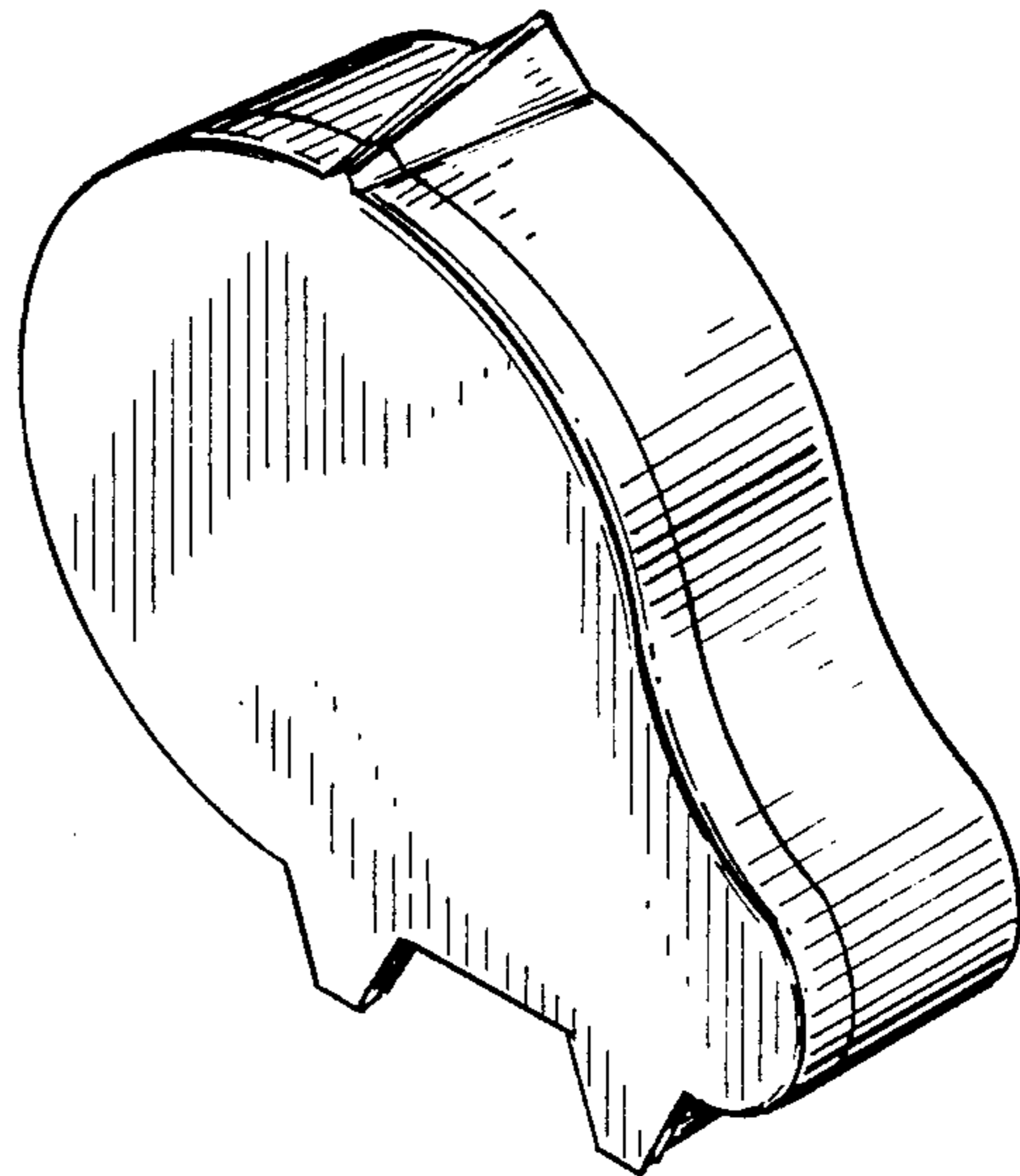


Fig. 10

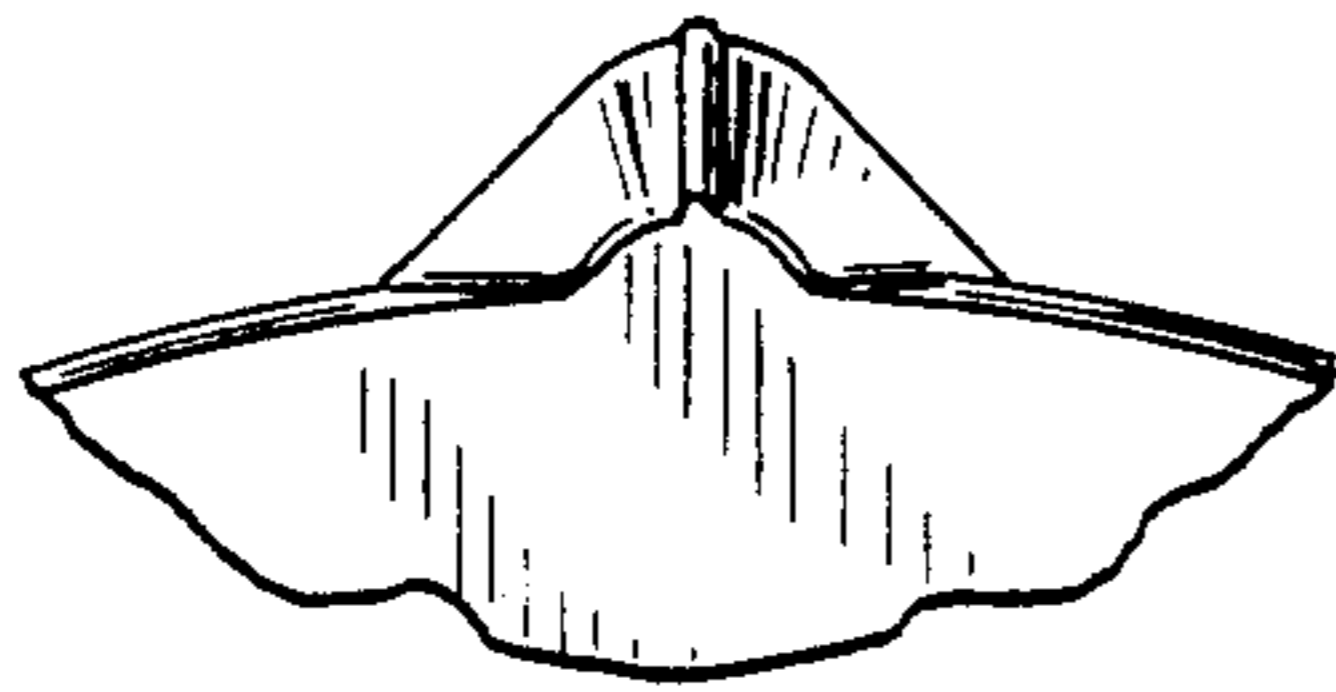


Fig. 11