

[54] STOOL

[76] Inventor: Raymond Grosfillex, Arbent 01107, Oyonnax, France

[**] Term: 14 Years

[21] Appl. No.: 64,456

[22] Filed: Jun. 22, 1987

[30] Foreign Application Priority Data

Dec. 22, 1986 [WO] World Int. Prop. O. DM/007953

[52] U.S. Cl. D6/349

[58] Field of Search D6/361, 349, 480, 484, D6/485, 488

[56] References Cited

U.S. PATENT DOCUMENTS

- D. 200,584 3/1965 Krone D6/485
- D. 224,494 8/1972 Kerman D6/484
- D. 263,531 3/1982 Hanson D6/485

- D. 271,256 11/1983 McClelland D6/349
- D. 273,448 4/1984 Colquhoun D6/485
- D. 283,656 5/1986 Mennes D6/480

Primary Examiner—Bruce W. Dunkins
Assistant Examiner—Musgrove J. H.
Attorney, Agent, or Firm—Nies, Kurz, Bergert & Tamburro

[57] CLAIM

The ornamental design for a stool, as shown and described.

DESCRIPTION

FIG. 1 is a perspective view of a stool showing my design;
FIG. 2 is a top plan view of the stool;
FIG. 3 is a bottom plan view of the stool;
FIG. 4 is an elevational view of one end of the stool, the other end being identical thereto;
FIG. 5 is an elevational view of one side of the stool, the other side being identical thereto.

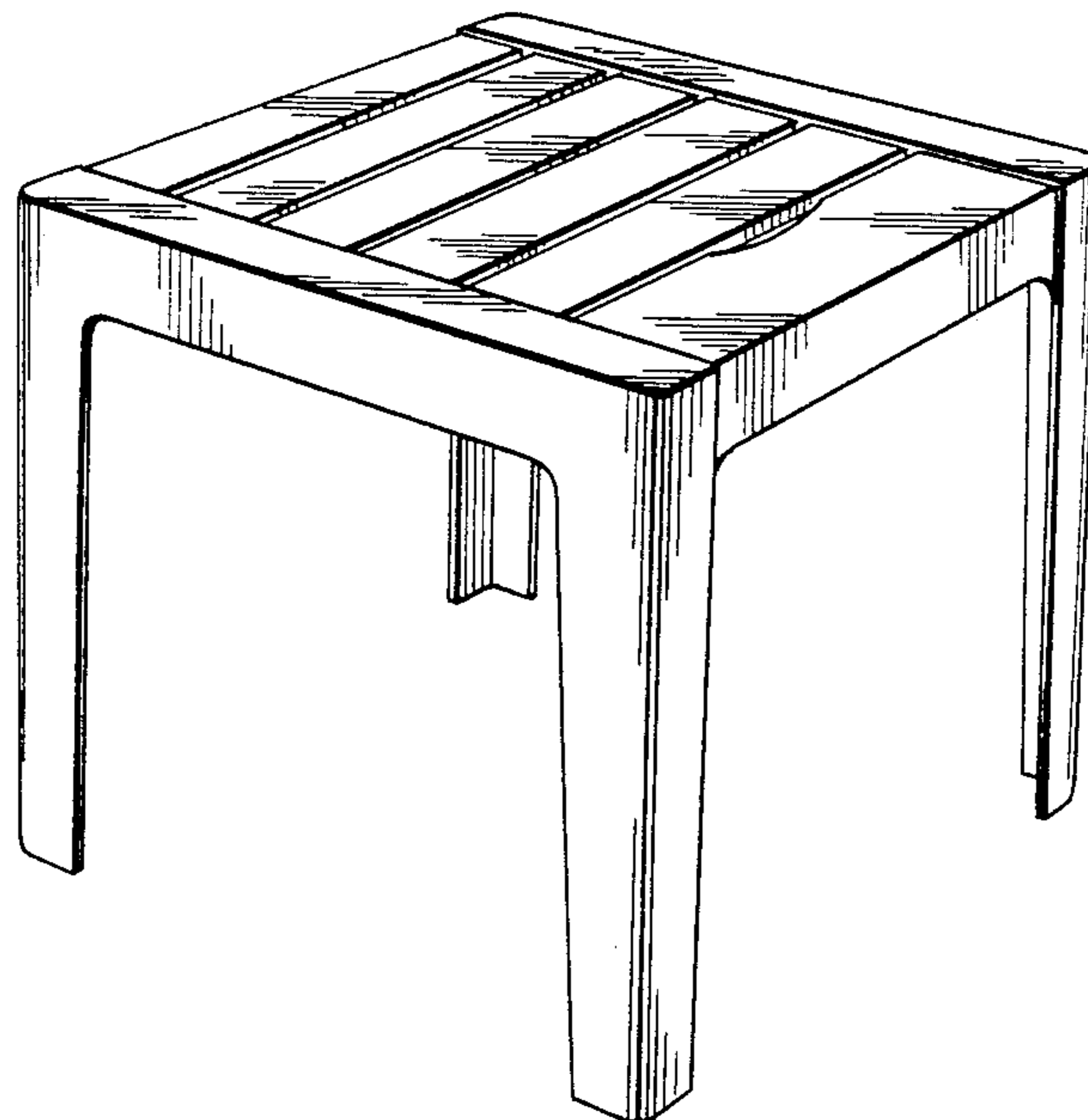


Fig. 1

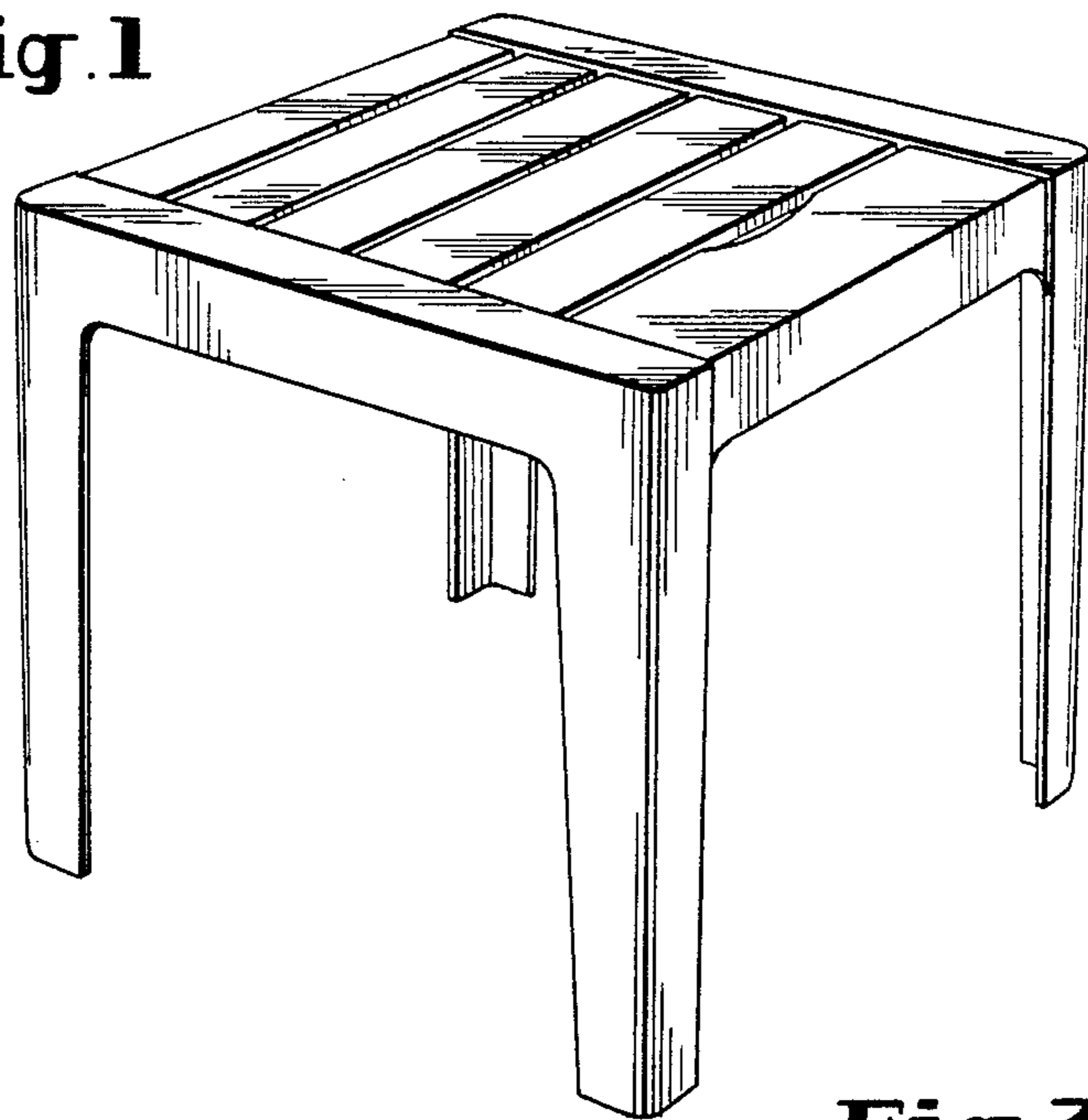


Fig. 2

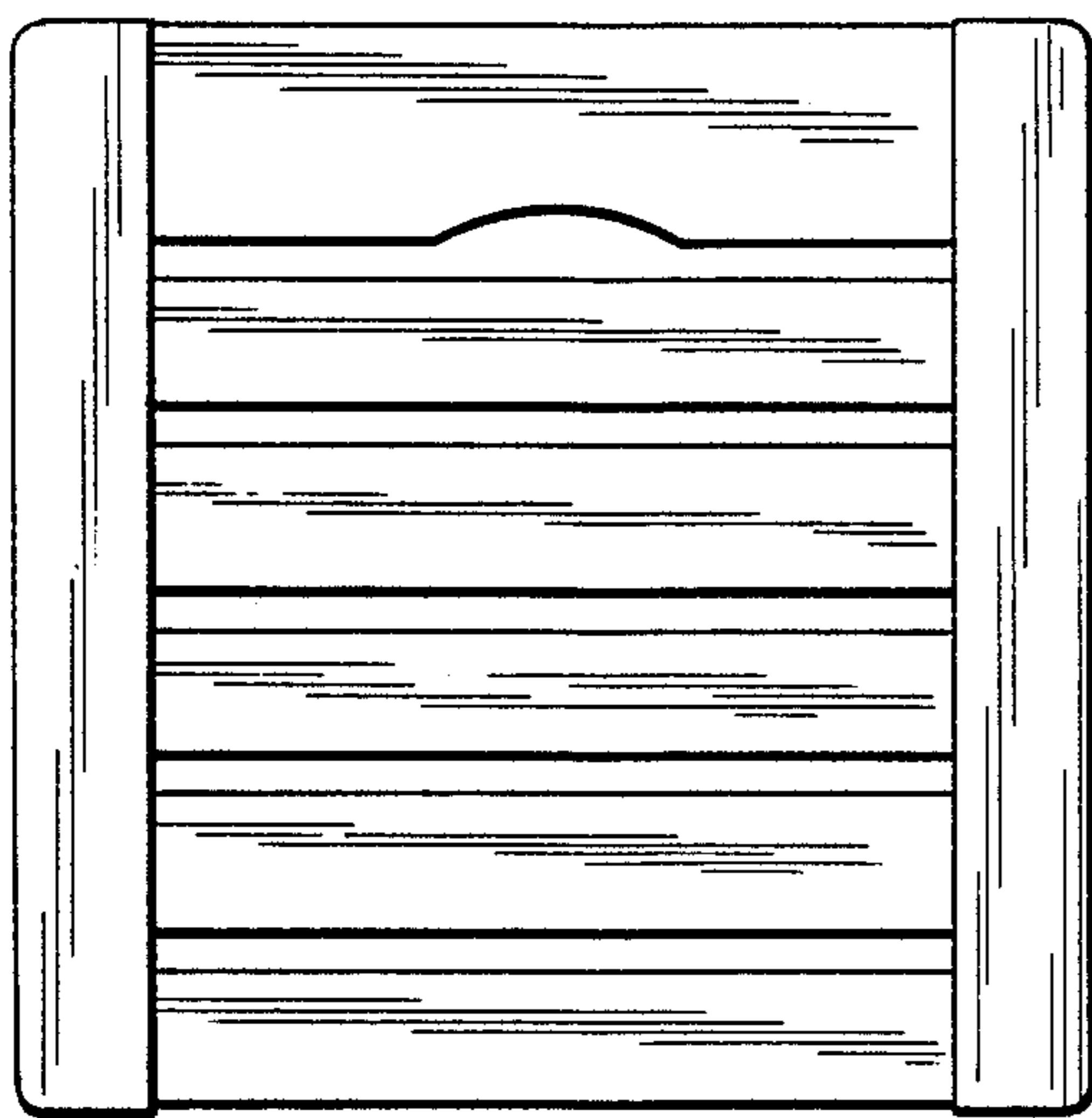


Fig. 3

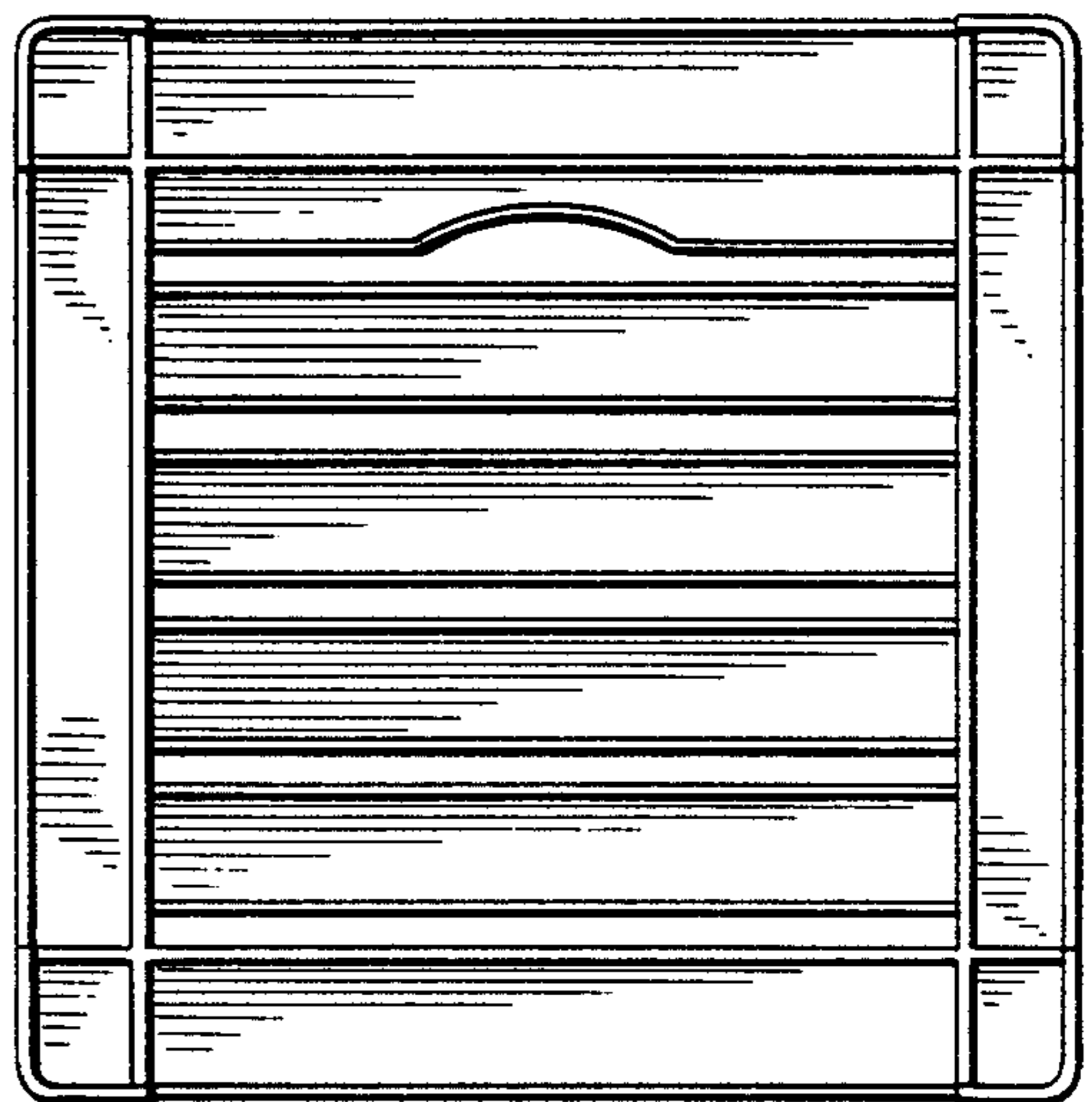


Fig. 4

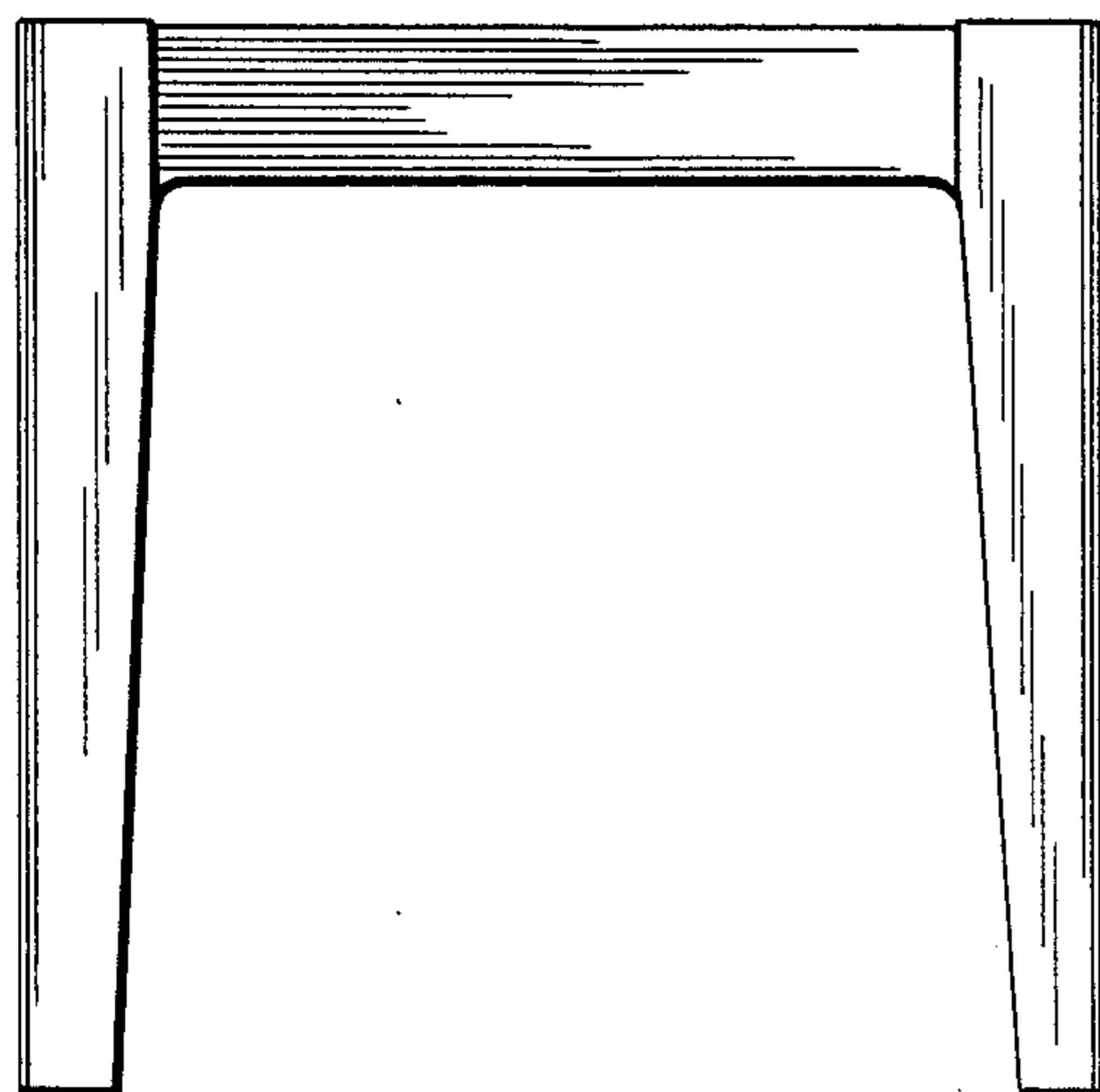


Fig. 5

