

[54] CANNOLI

[76] Inventor: Anna F. Greene, 49 Old Stage Rd., P.O. Box 346, Montague, Mass. 01351

[**] Term: 14 Years

[21] Appl. No.: 110,478

[22] Filed: Oct. 19, 1987

[52] U.S. Cl. D1/122; D1/130

[58] Field of Search D1/126, 127, 199; D8/324, 349, 71; D25/121, 119, 114, 123, 125, 118; D28/2, 3; 426/143, 512, 499, 514, 109, 549, 94, 138, 283, 391; D23/266, 299; D21/108, 104, 105, 107; 211/74, 49.1

[56] References Cited

U.S. PATENT DOCUMENTS

4,191,305 3/1980 Davis 229/4.5 X

OTHER PUBLICATIONS

Good Housekeeping publication, 2/1980, p. 263, Ziti Element #5.

Primary Examiner—Wallace R. Burke
Assistant Examiner—Pamela J. Schmidt
Attorney, Agent, or Firm—Fishman, Dionne & Cantor

[57] CLAIM

The ornamental design of a cannoli, as shown and described.

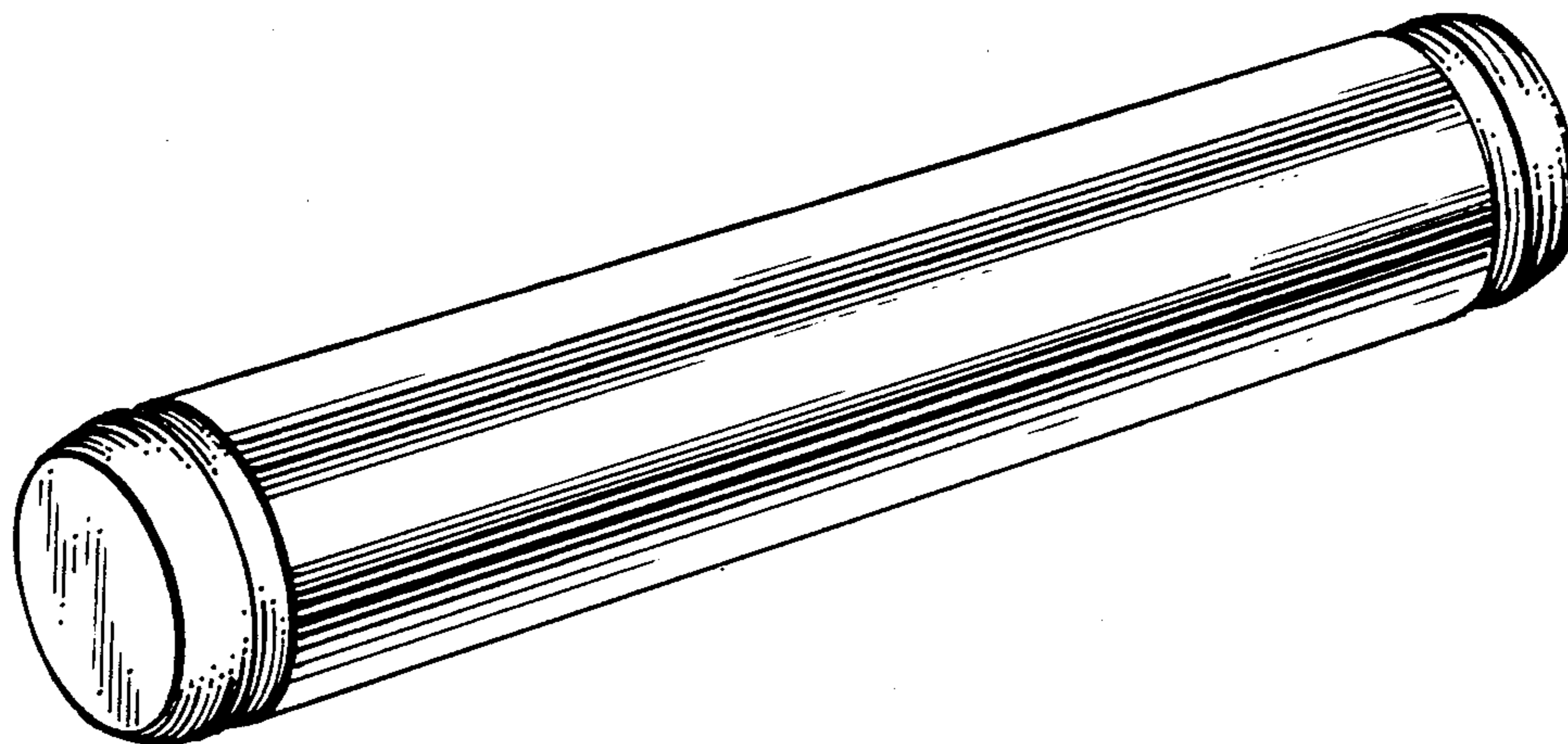
DESCRIPTION

FIG. 1 is a top perspective view of a cannoli showing my new design;

FIG. 2 is a side elevational view thereof, the undisclosed sides being the same;

FIG. 3 is an end elevational view thereof, from line 3—3 of FIG. 2; and

FIG. 4 is an end elevational view thereof, from line 4—4 of FIG. 2.



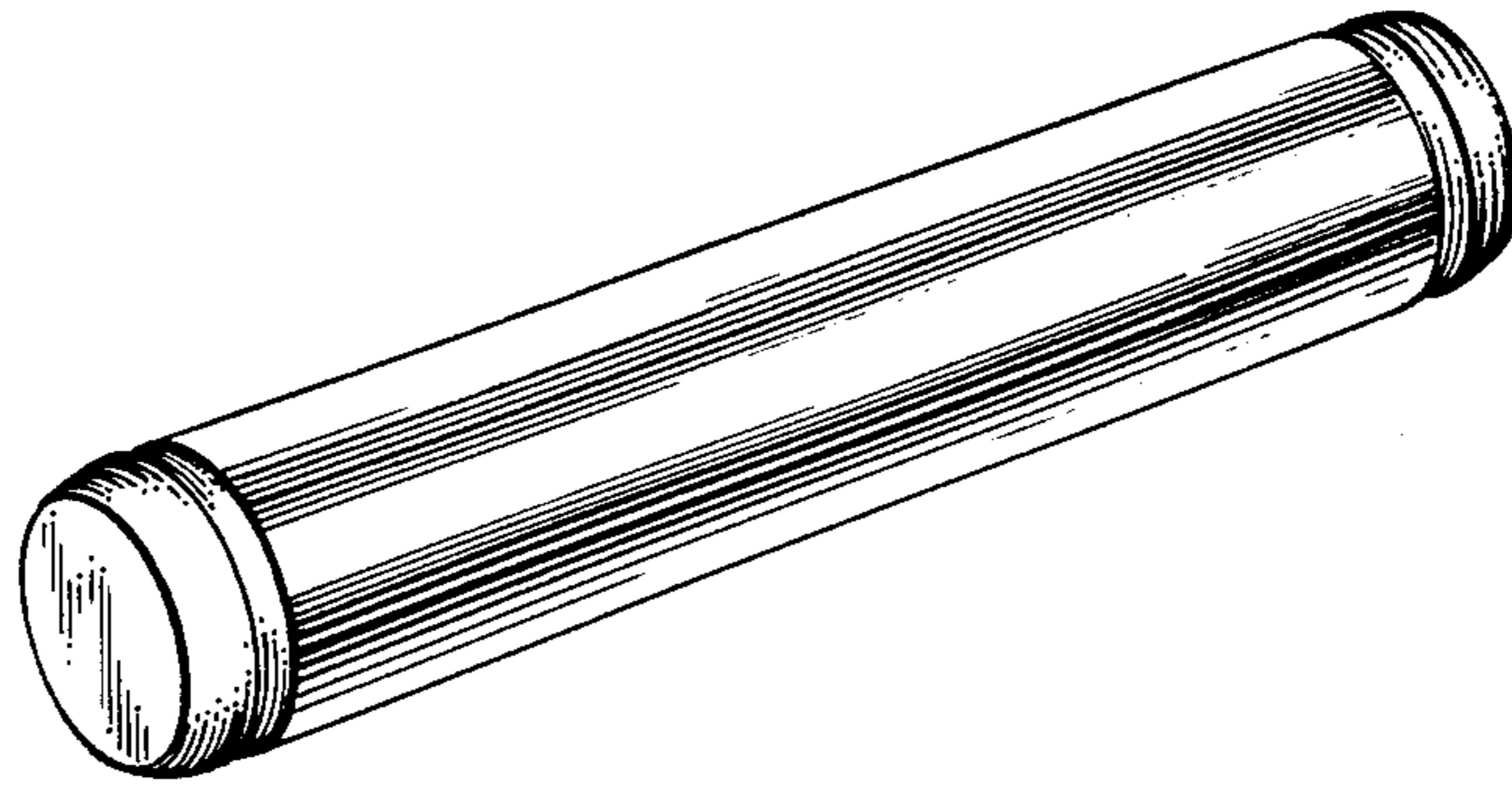


FIG. 1

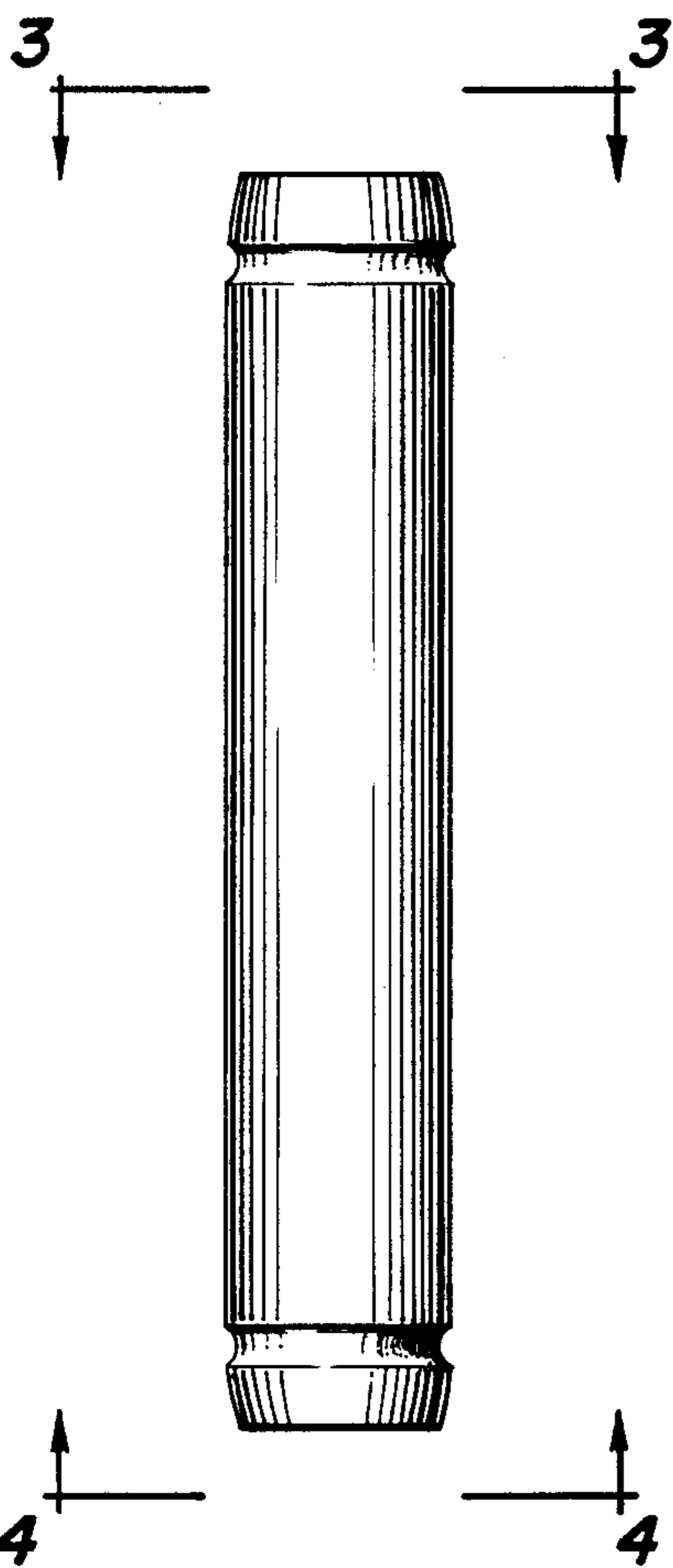


FIG. 2

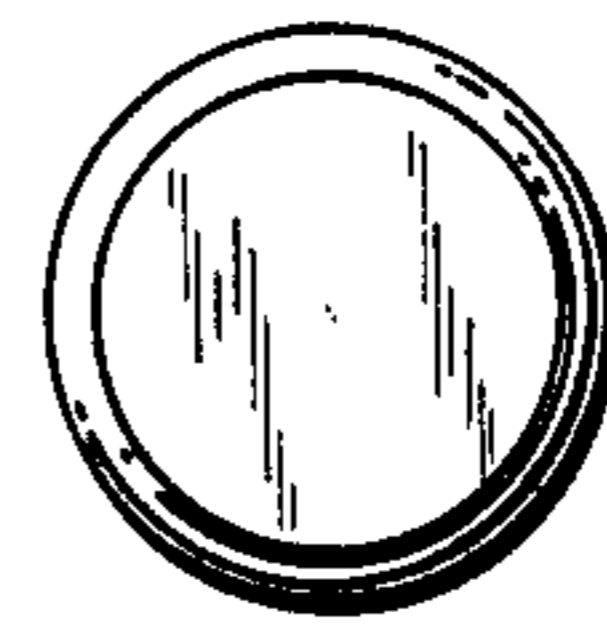


FIG. 3

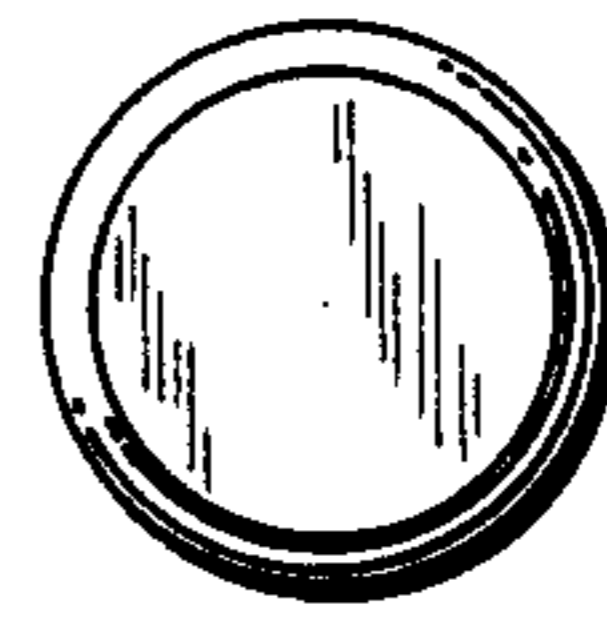


FIG. 4