

[54] CONVEYOR BELT

[75] Inventor: Irwin D. McIlwain, Lancaster, Pa.

[73] Assignee: Ford New Holland, Inc., New Holland, Pa.

[**] Term: 14 Years

[21] Appl. No.: 922,504

[22] Filed: Oct. 23, 1986

[52] U.S. Cl. D34/29

[58] Field of Search D34/29, 28; 198/844, 198/845, 846, 690.2, 957; 428/167, 169

[56] References Cited

U.S. PATENT DOCUMENTS

979,200	12/1910	Prosser	198/690.2
1,817,037	8/1931	Mattison	198/690.2
2,784,835	3/1957	Dixon	198/690.2
2,909,271	10/1959	Taylor	198/690.2
2,925,165	2/1960	Rake	198/690.2
3,895,982	7/1975	Persson	198/690.2
3,910,405	10/1975	Couperus et al.	198/628
4,426,926	1/1984	Soteropulos et al.	198/690.2

FOREIGN PATENT DOCUMENTS

650935	2/1929	France	198/690.2
--------	--------	--------	-----------

OTHER PUBLICATIONS

Sparks Belting Co. brochure (1978), p. 7, "Chevron-top-white or black'-P.V.C." (top right).

Sparks Belting Co. brochure (4/1986), Rough-top conveyor belts, cover page.

Morrison Sales Brochure dated Apr. 1, 1986.

Leggs Company, Inc. Sales Brochure ©1982.

Primary Examiner—Kay H. Chin

Attorney, Agent, or Firm—Darrell F. Marquette; Frank A. Seemar; Larry W. Miller

[57] CLAIM

The ornamental design for a conveyor belt, as shown and described.

DESCRIPTION

FIG. 1 is a top plan view of a conveyor belt showing my new design, it being understood that the top and bottom ends of the belt have been broken away to indicate indeterminate length;

FIG. 2 is a sectional view taken along the line 2—2 of FIG. 1;

FIG. 3 is a side elevational view thereof as taken along the line 3—3 of FIG. 1;

FIG. 4 is a top plan view of the conveyor belt showing a second embodiment, the top and bottom ends of the belt having been broken away to indicate indeterminate length;

FIG. 5 is a sectional view taken along the line 5—5 of FIG. 4;

FIG. 6 is a side elevational view thereof as taken along the line 6—6 of FIG. 4;

FIG. 7 is a top perspective view of FIG. 1; and

FIG. 8 is a top perspective view of FIG. 4.

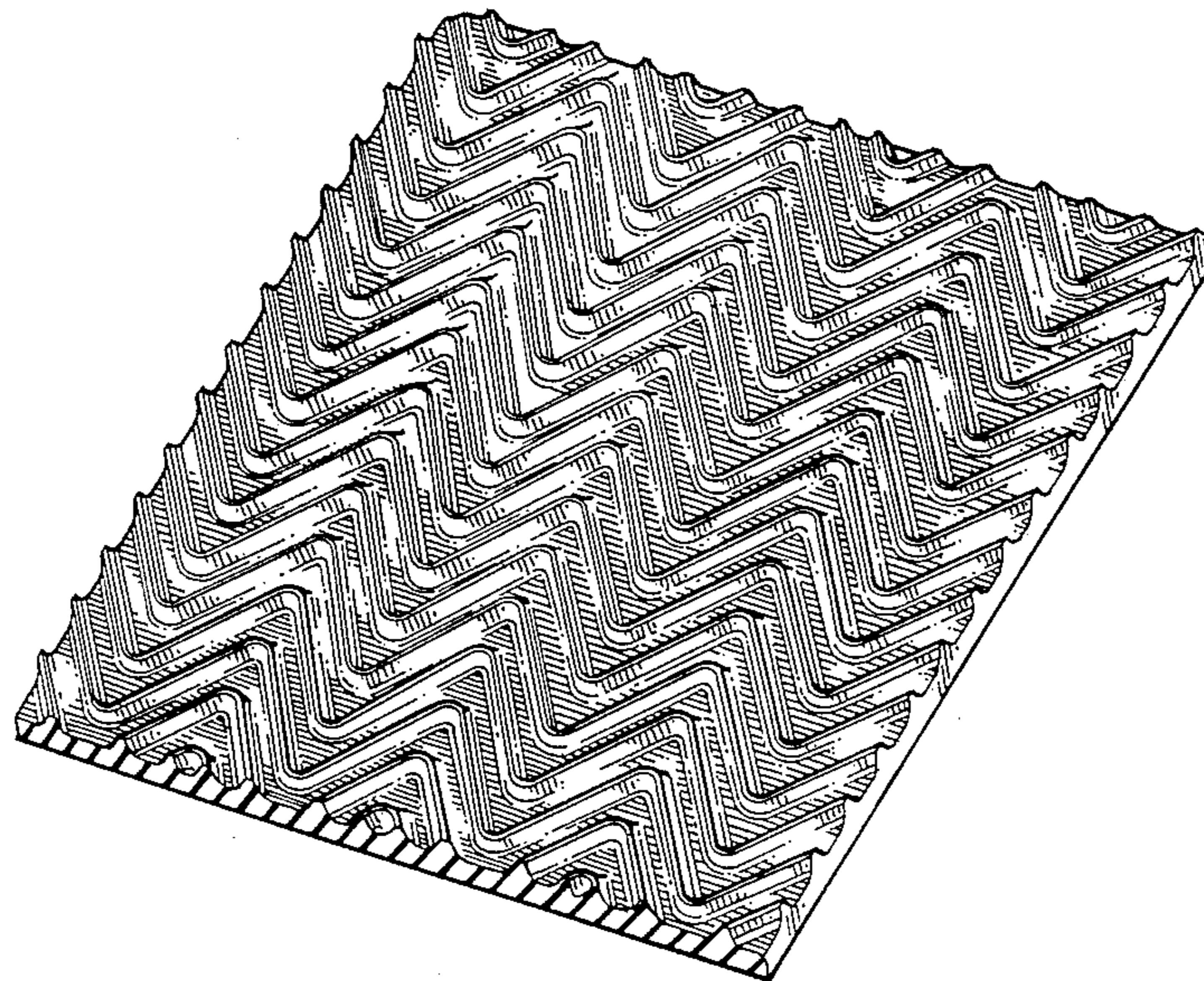


Fig. 1

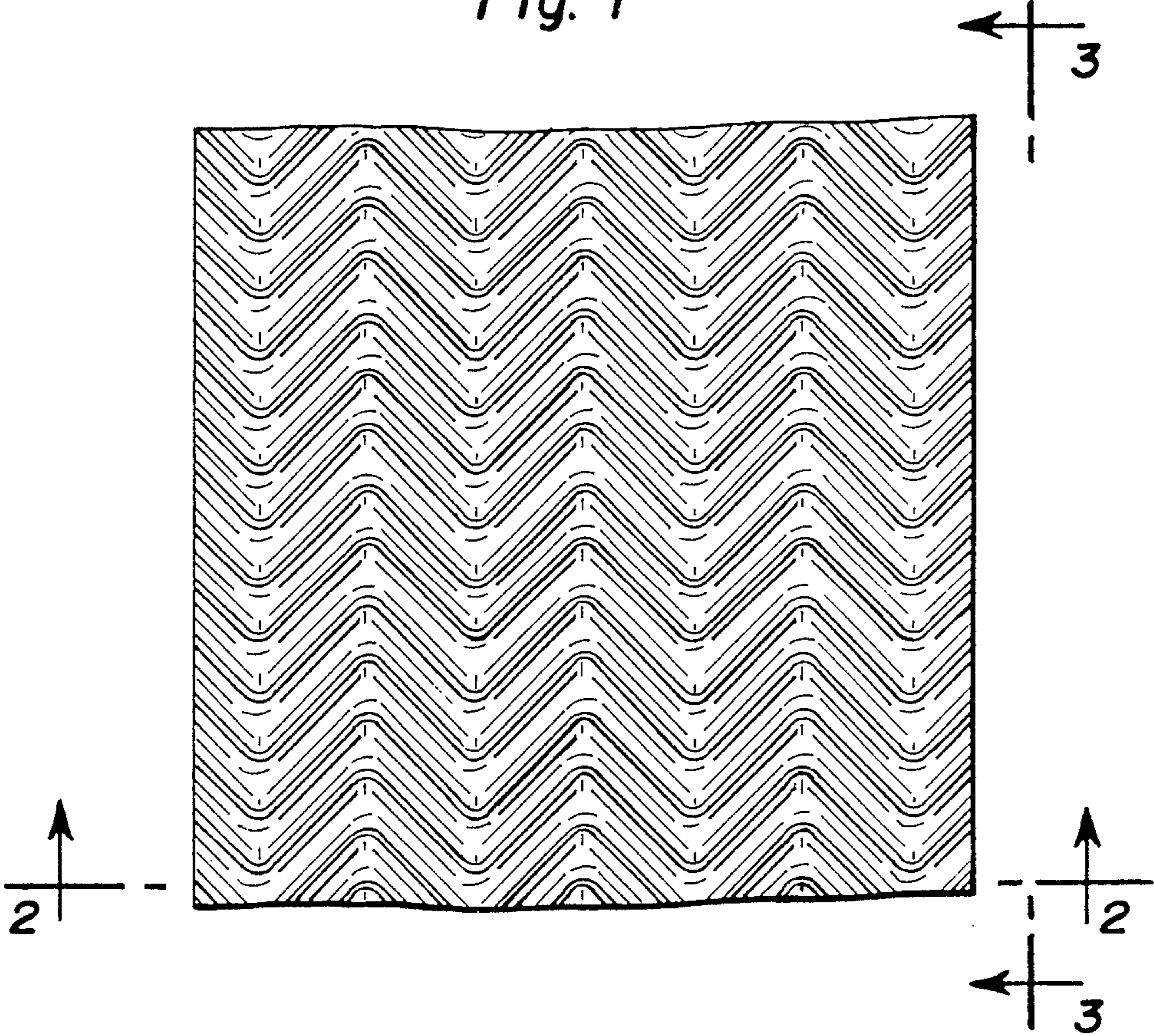


Fig. 2



Fig. 3



Fig. 4

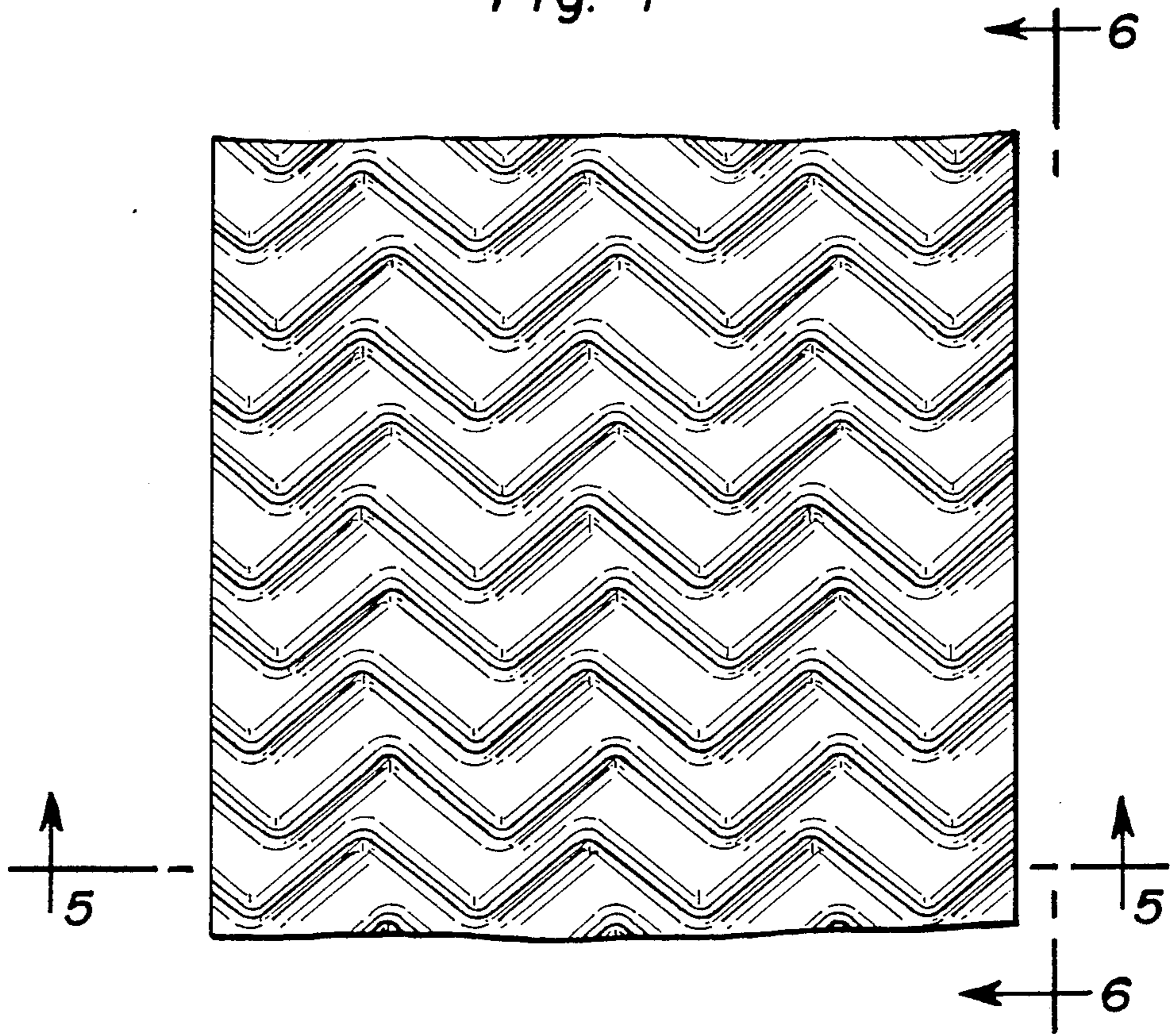


Fig. 5



Fig. 6



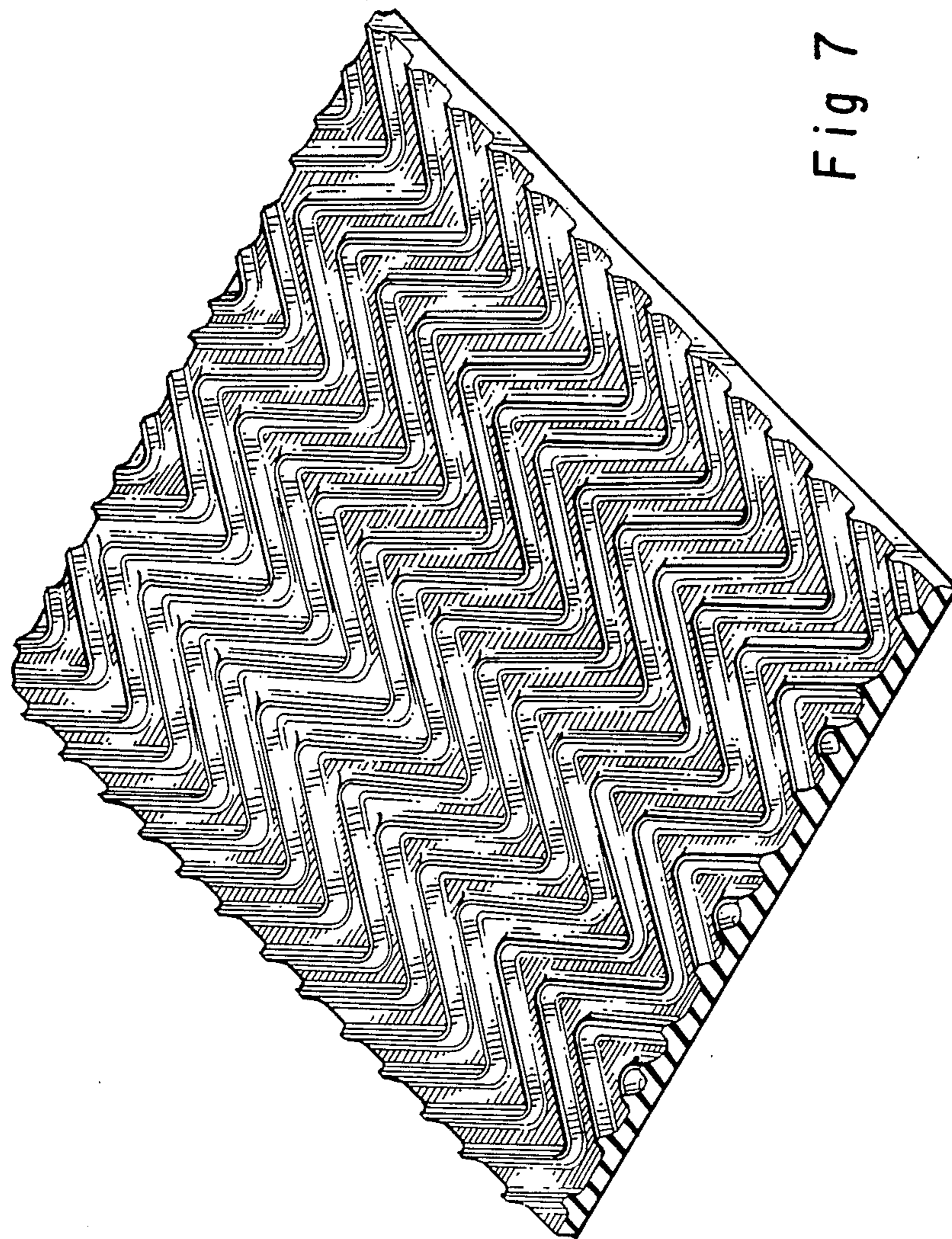


Fig 7

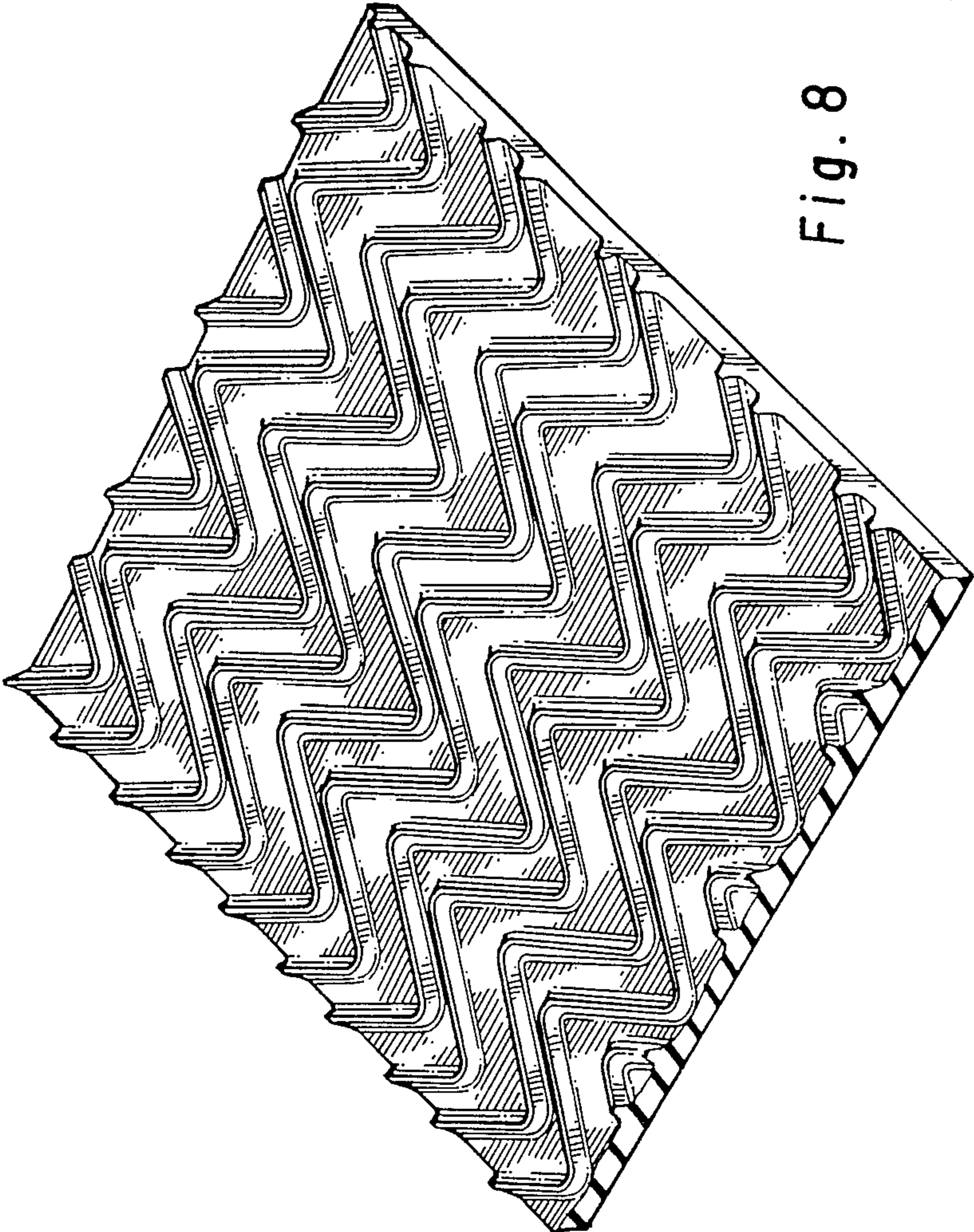


Fig. 8