

United States Patent [19]

Yau Kee

[11] Patent Number: **Des. 312,717**

[45] Date of Patent: **** Dec. 4, 1990**

[54] TV/VCR STAND

[75] Inventor: **Peter M. Yau Kee, Happy Valley, Hong Kong**

[73] Assignee: **Rosalco, Inc., Louisville, Ky.**

[**] Term: **14 Years**

[21] Appl. No.: **506,757**

[22] Filed: **Apr. 9, 1990**

Related U.S. Application Data

[62] Division of Ser. No. 354,932, May 19, 1989.

[52] U.S. Cl. **D34/21; D6/465; D6/479**

[58] Field of Search **D34/12, 14, 21; D6/462, D6/464, 465, 474, 477, 479; 211/182**

[56] **References Cited**

U.S. PATENT DOCUMENTS

D. 176,473 12/1955 Moxley D34/21
D. 301,790 6/1989 Ivano D34/21

OTHER PUBLICATIONS

W. Bell & Co. Catalog 1987; p. 151, Item No. 3.
Progressive Architecture, 1/1983, p. 179.
Abitare, 9/1981, p. 137, #9 & #10.

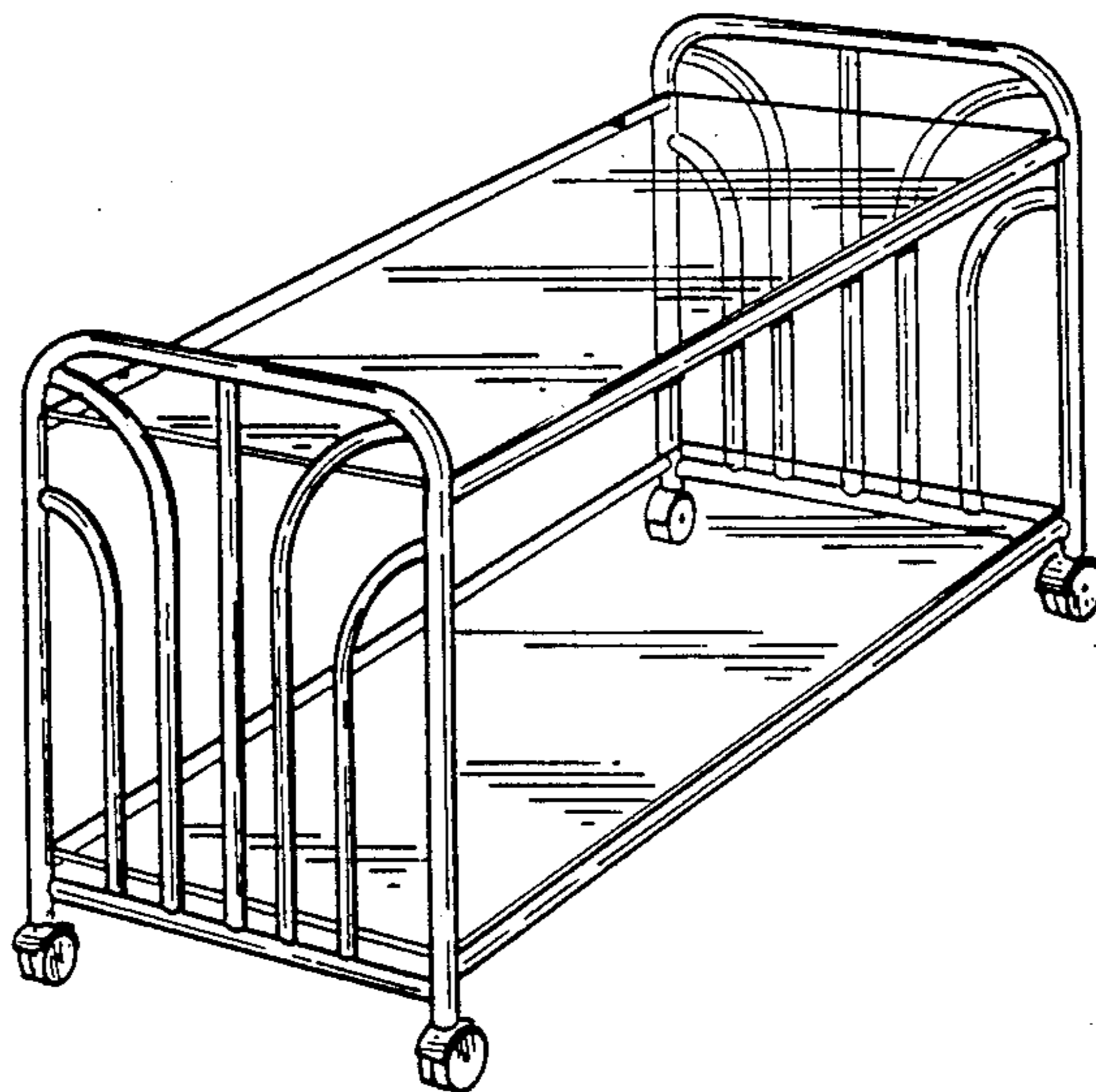
Primary Examiner—Bruce W. Dunkins
Assistant Examiner—Jeffrey Asch
Attorney, Agent, or Firm—Rhodes, Coats & Bennett

[57] **CLAIM**

The ornamental design for a TV/VCR stand, as shown and described.

DESCRIPTION

FIG. 1 is a top, front, and left side perspective view of a TV/VCR stand showing my new design; FIG. 2 is a right side elevational view thereof; and FIG. 3 is a rear elevational view thereof.



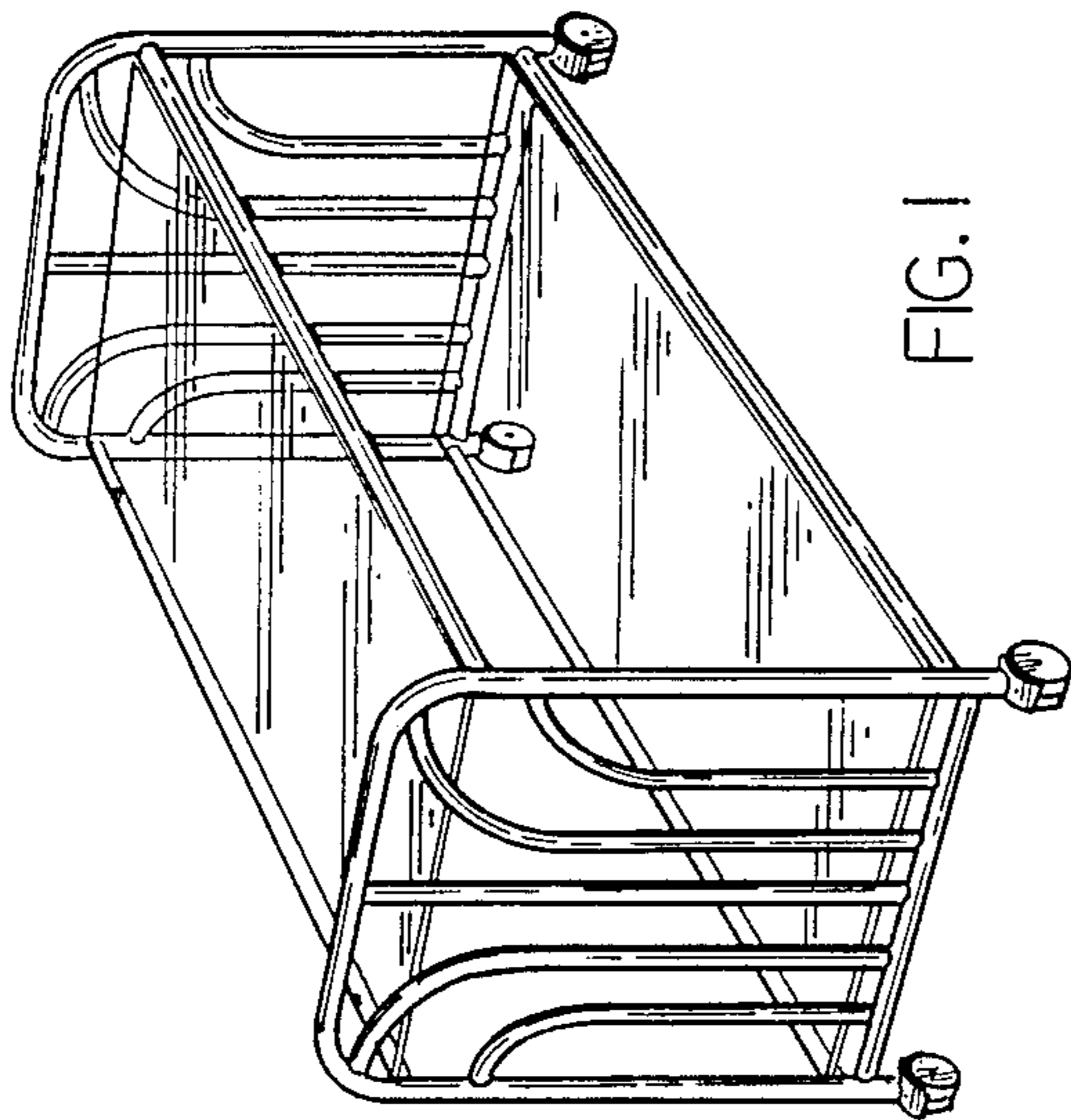


FIG. 1

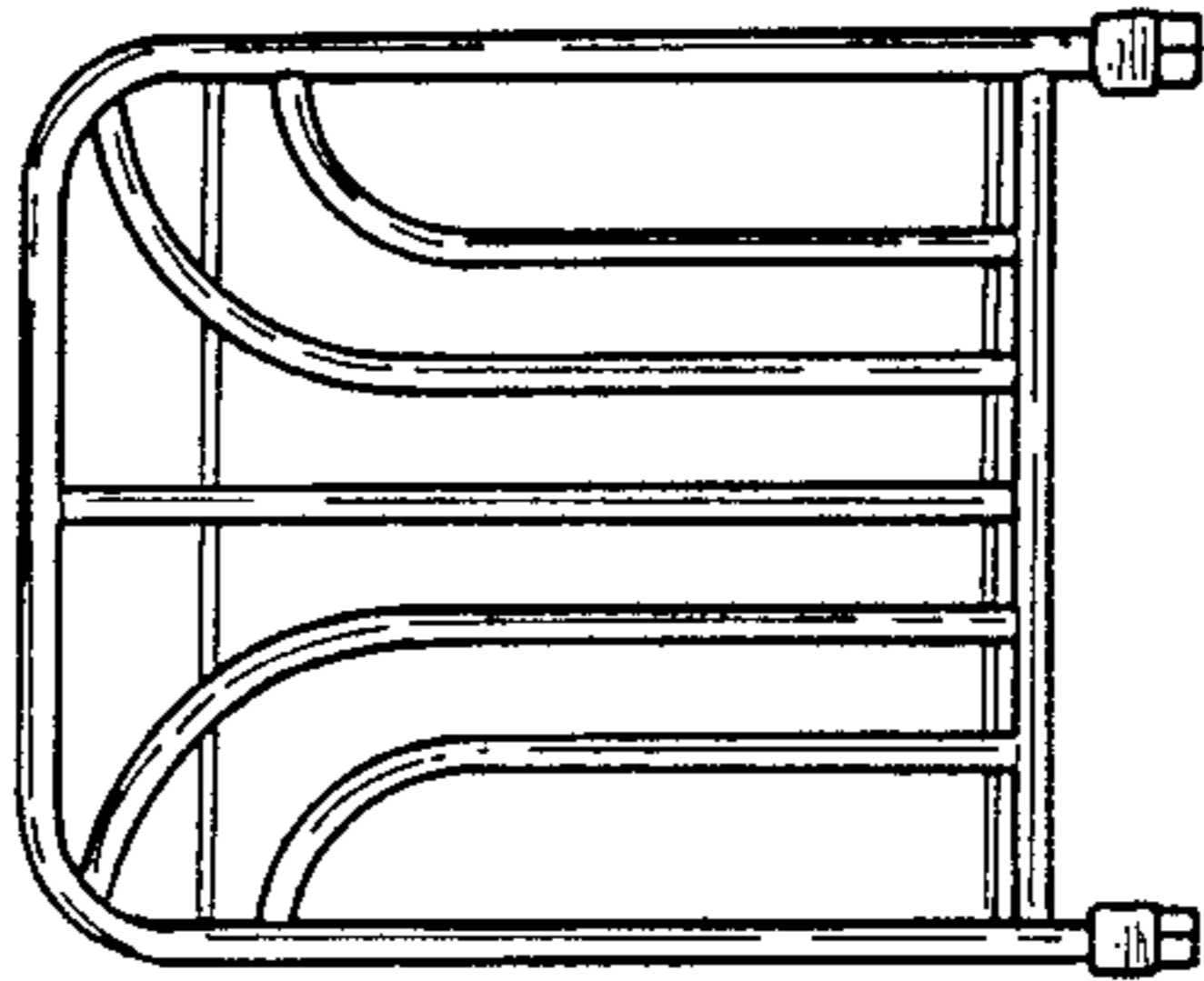


FIG. 2

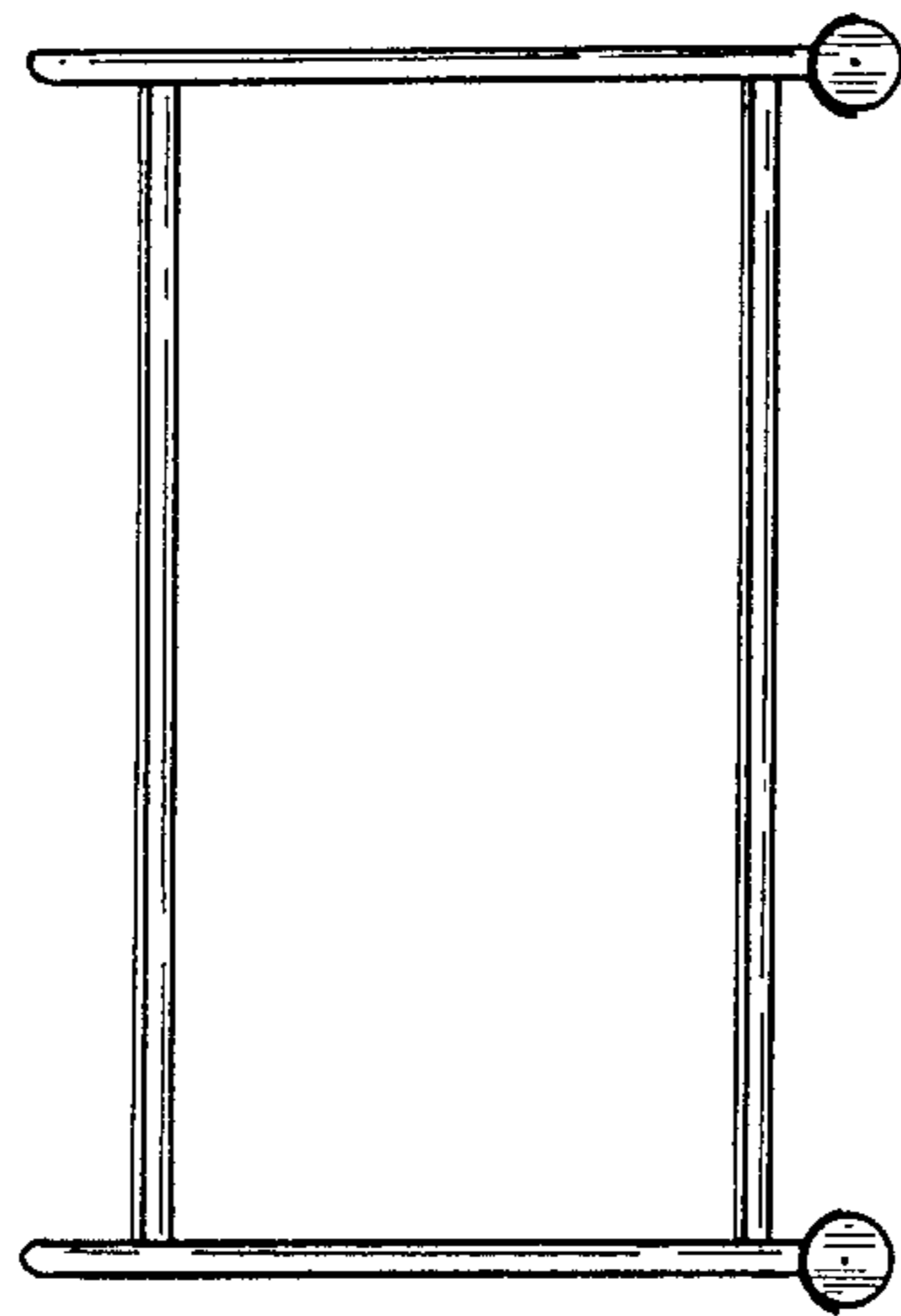


FIG. 3