

# United States Patent [19]

Stephens, III

[11] Patent Number: **Des. 312,716**

[45] Date of Patent: **\*\* Dec. 4, 1990**

[54] **HUNTER'S CART**

[76] Inventor: **George C. Stephens, III**, 321 W. Adams St., Martinsburg, W. Va. 25401

[\*\*] Term: **14 Years**

[21] Appl. No.: **280,292**

[22] Filed: **Dec. 5, 1988**

[52] U.S. Cl. .... **D34/17; D34/12**

[58] Field of Search ..... **D34/12, 26, 24, 17; 280/79.3, 79.11, 47.24, 47.26, 47.34**

[56] **References Cited**

### U.S. PATENT DOCUMENTS

D. 302,891 8/1989 Lardell ..... D34/12

D. 304,114 10/1989 David ..... D34/26

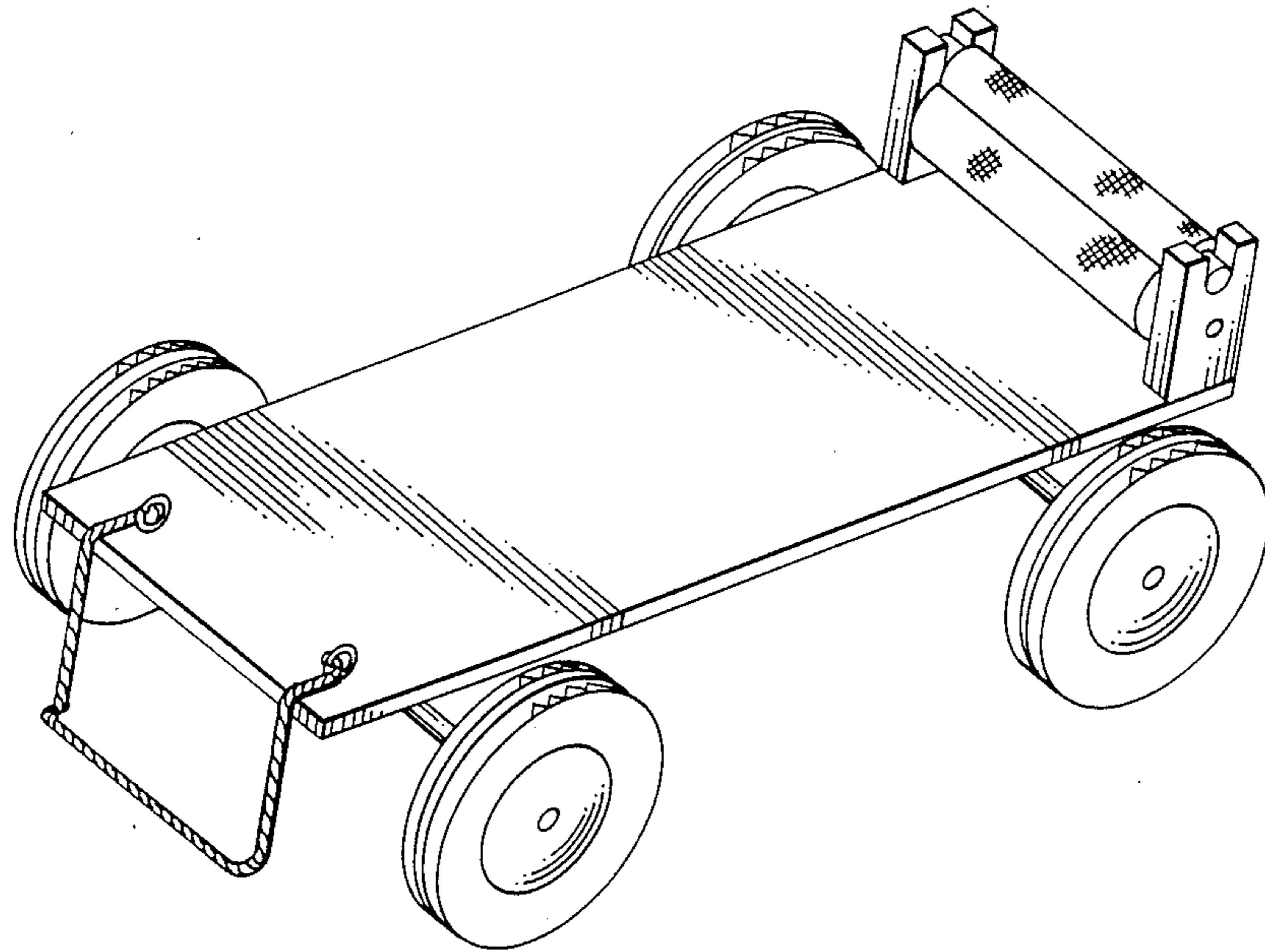
*Primary Examiner*—Kay H. Chin  
*Attorney, Agent, or Firm*—Leon Gilden

### [57] CLAIM

The ornamental design for a hunter's cart, as shown and described.

### DESCRIPTION

FIG. 1 is a top plan view of a hunter's cart showing my new design;  
FIG. 2 is a bottom plan view thereof;  
FIG. 3 is a left side elevational view thereof;  
FIG. 4 is a right side elevational view thereof;  
FIG. 5 is a front elevational view thereof;  
FIG. 6 is a rear elevational view thereof;  
FIG. 7 is a front and top perspective view thereof.



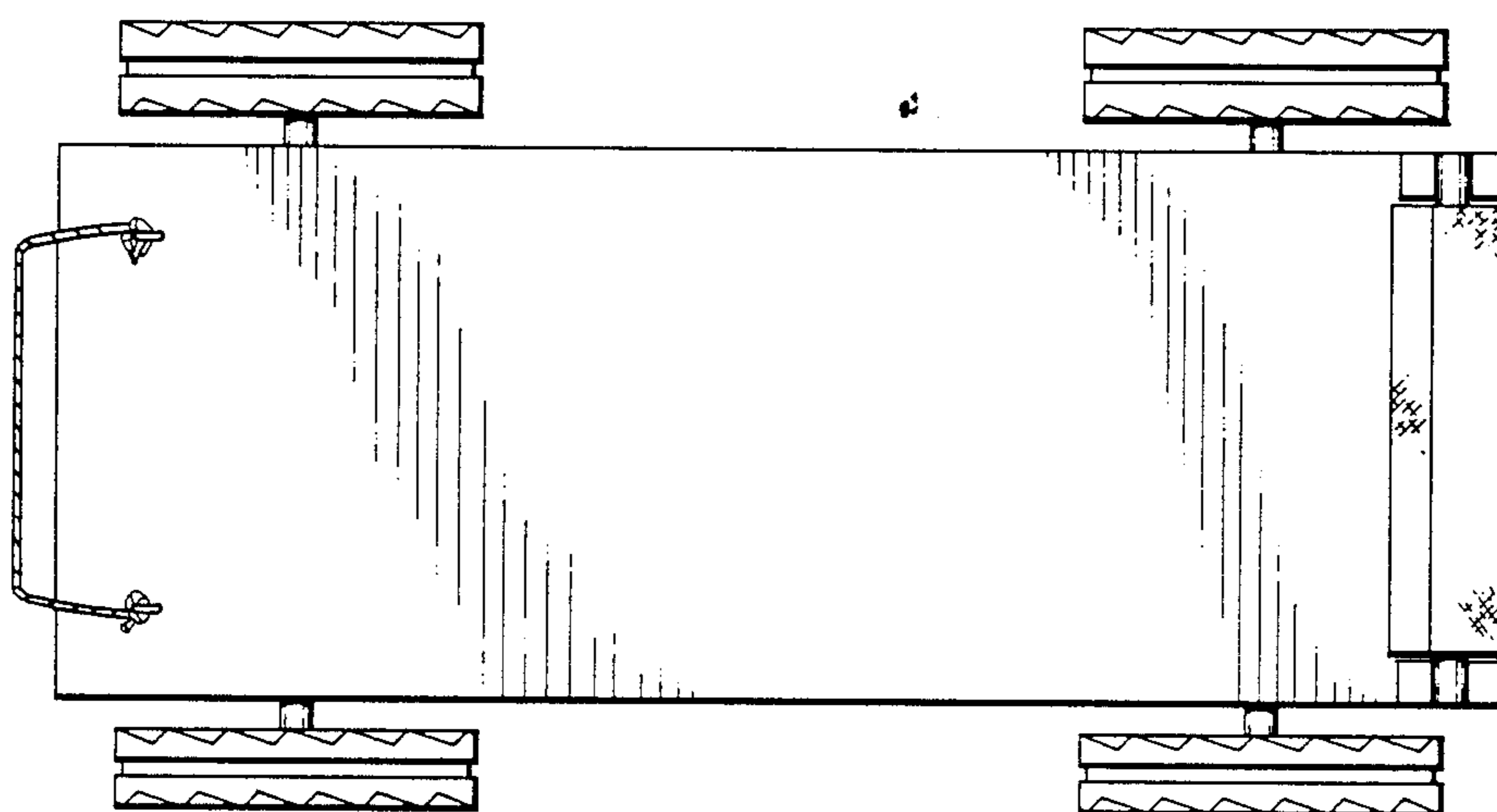


FIG. 1.

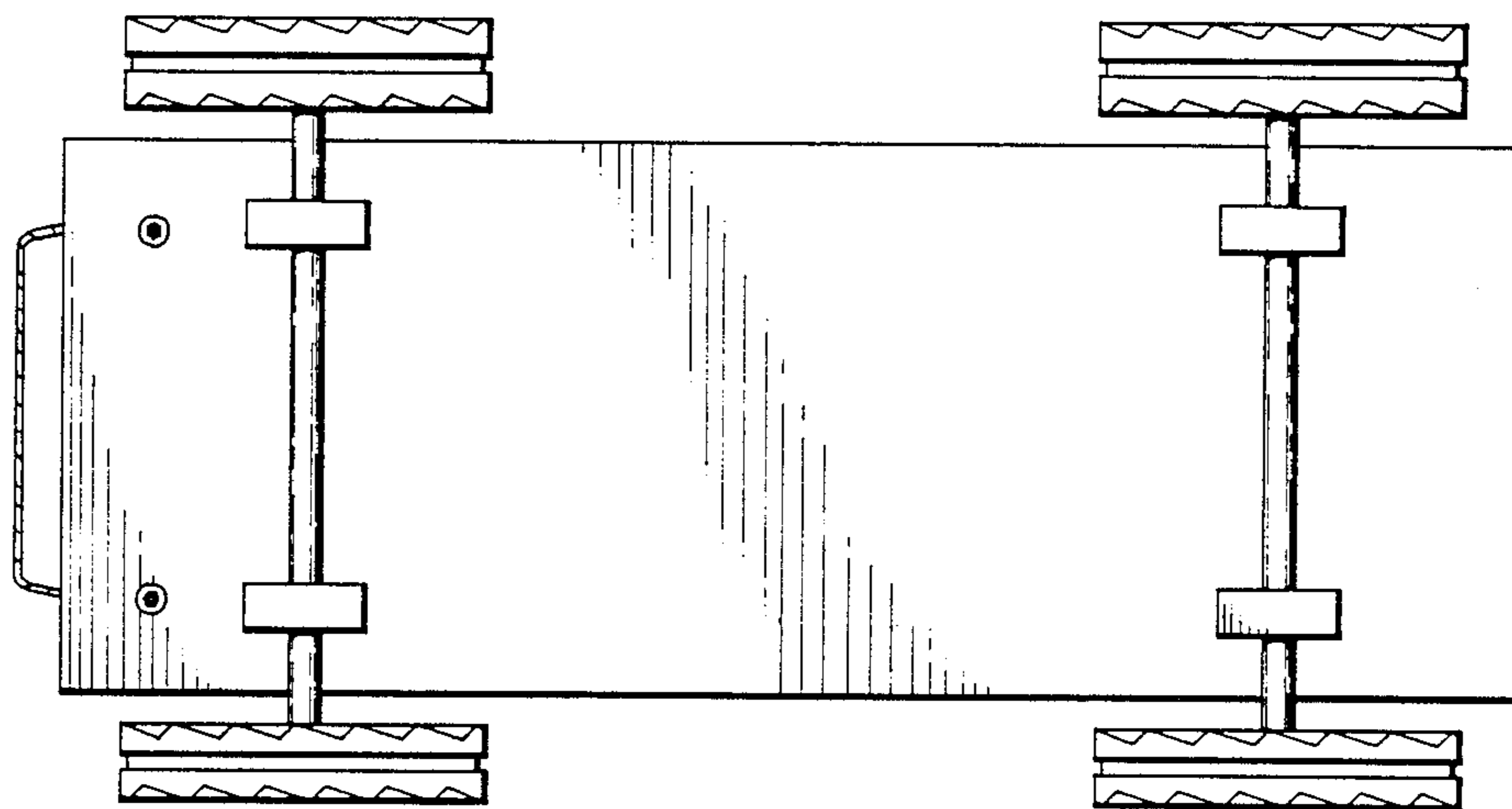


FIG. 2.

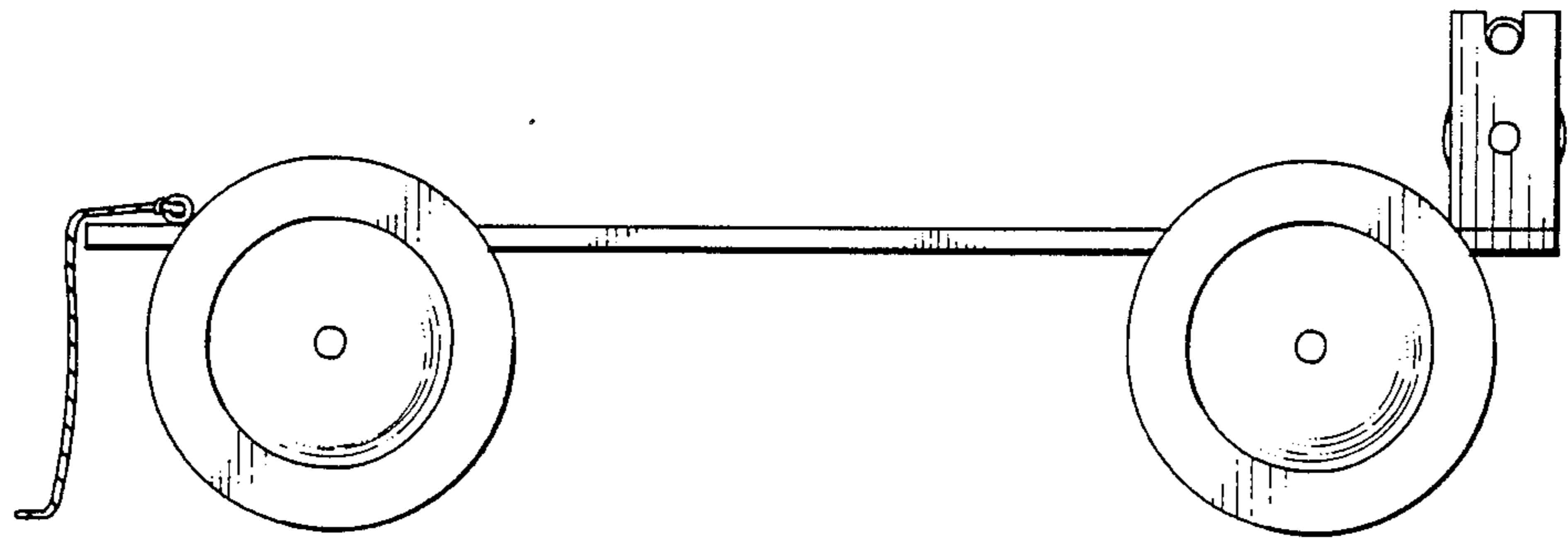


FIG. 3.

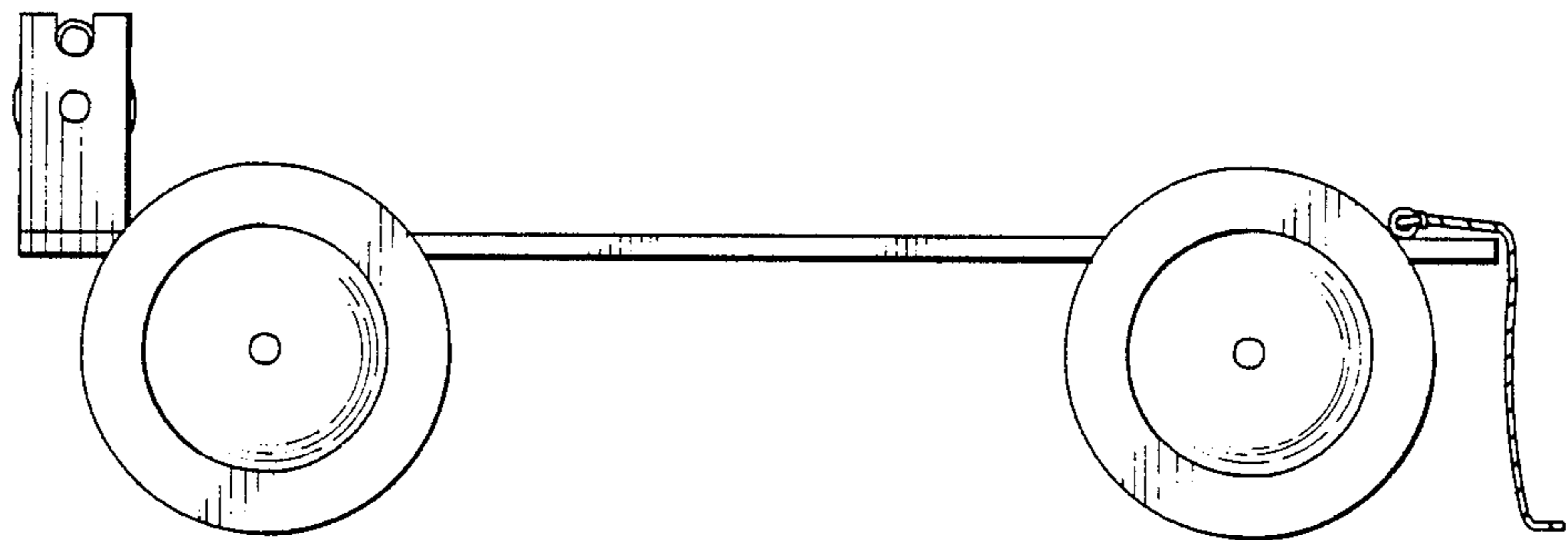


FIG. 4.

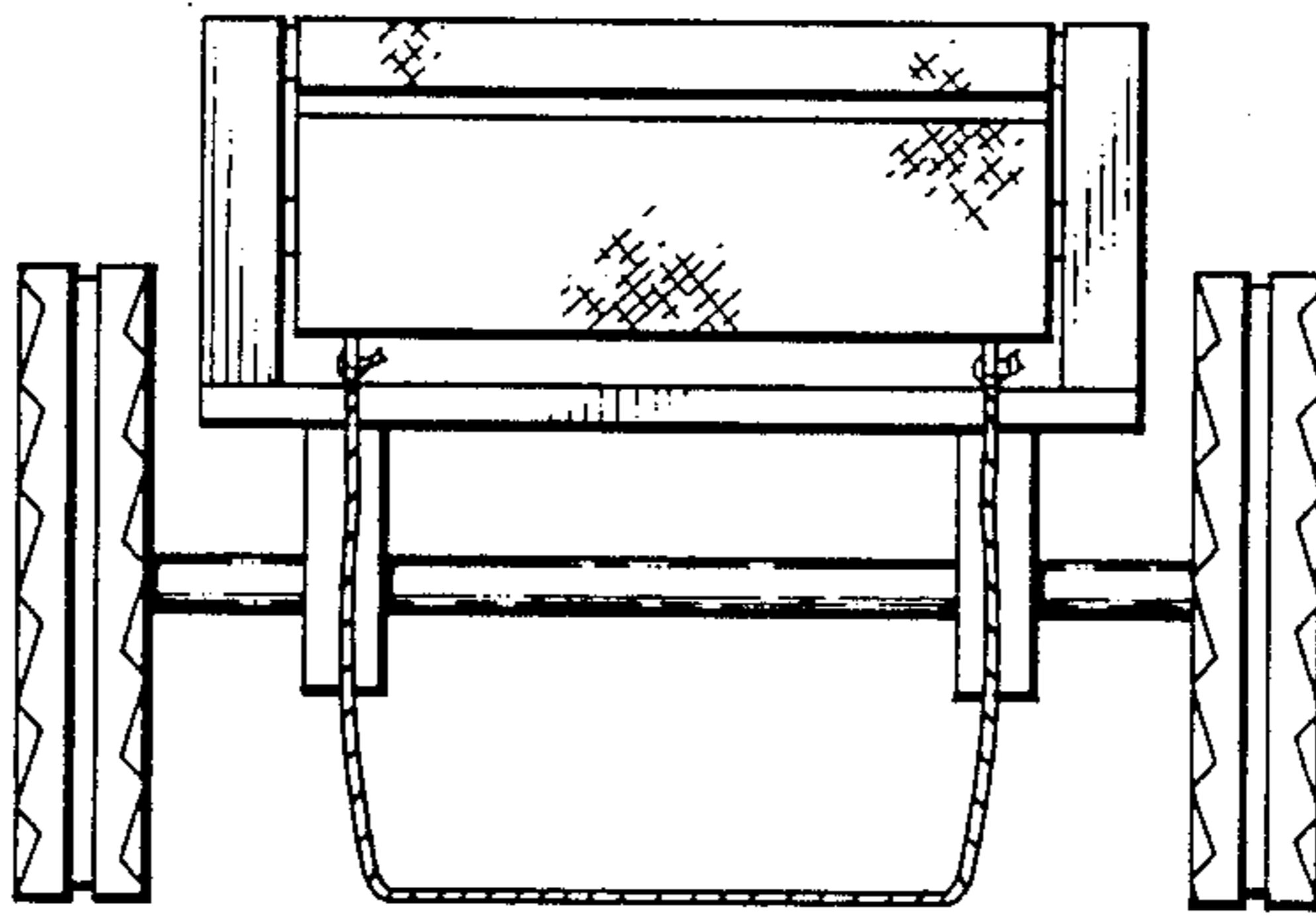


FIG. 5.

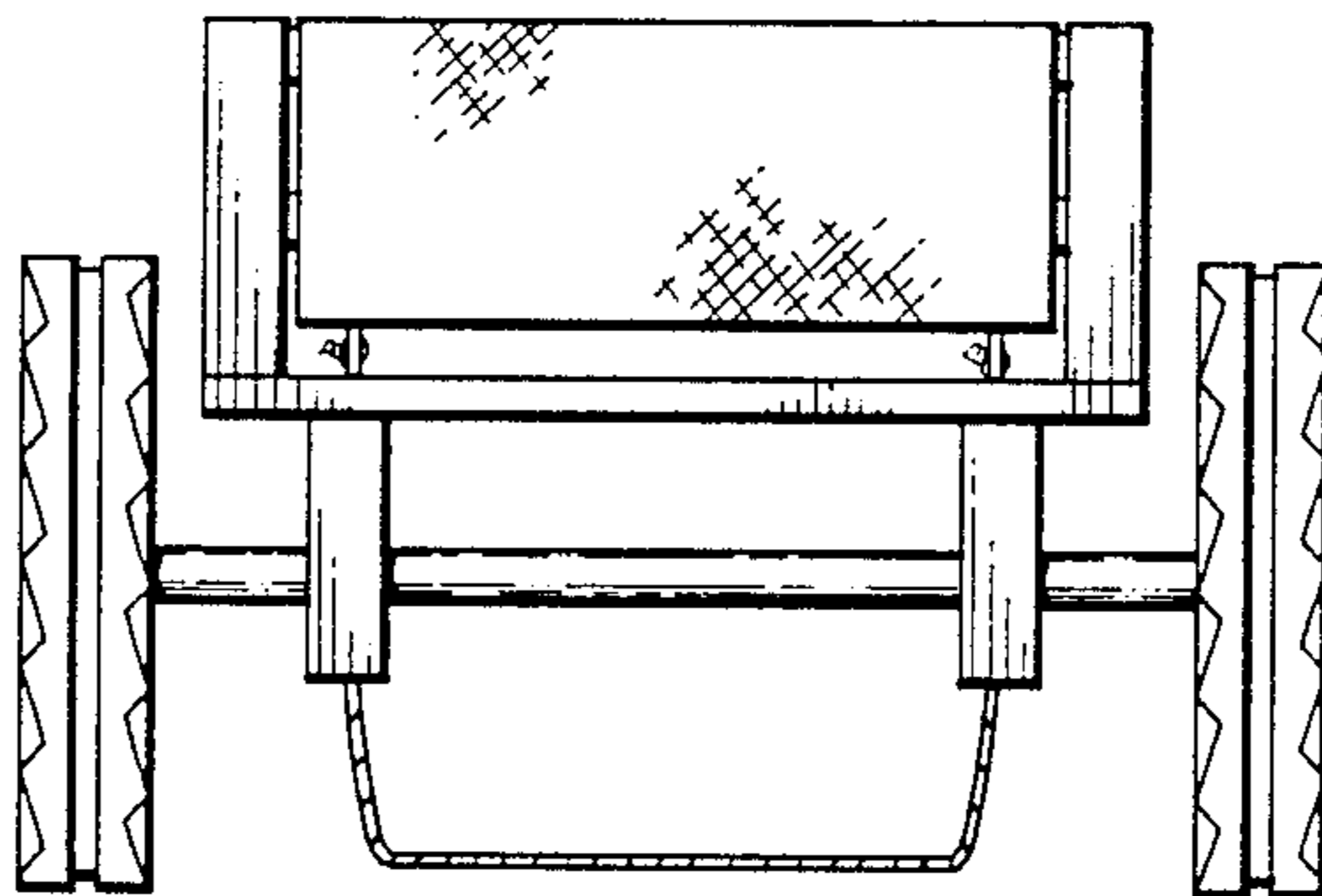


FIG. 6.

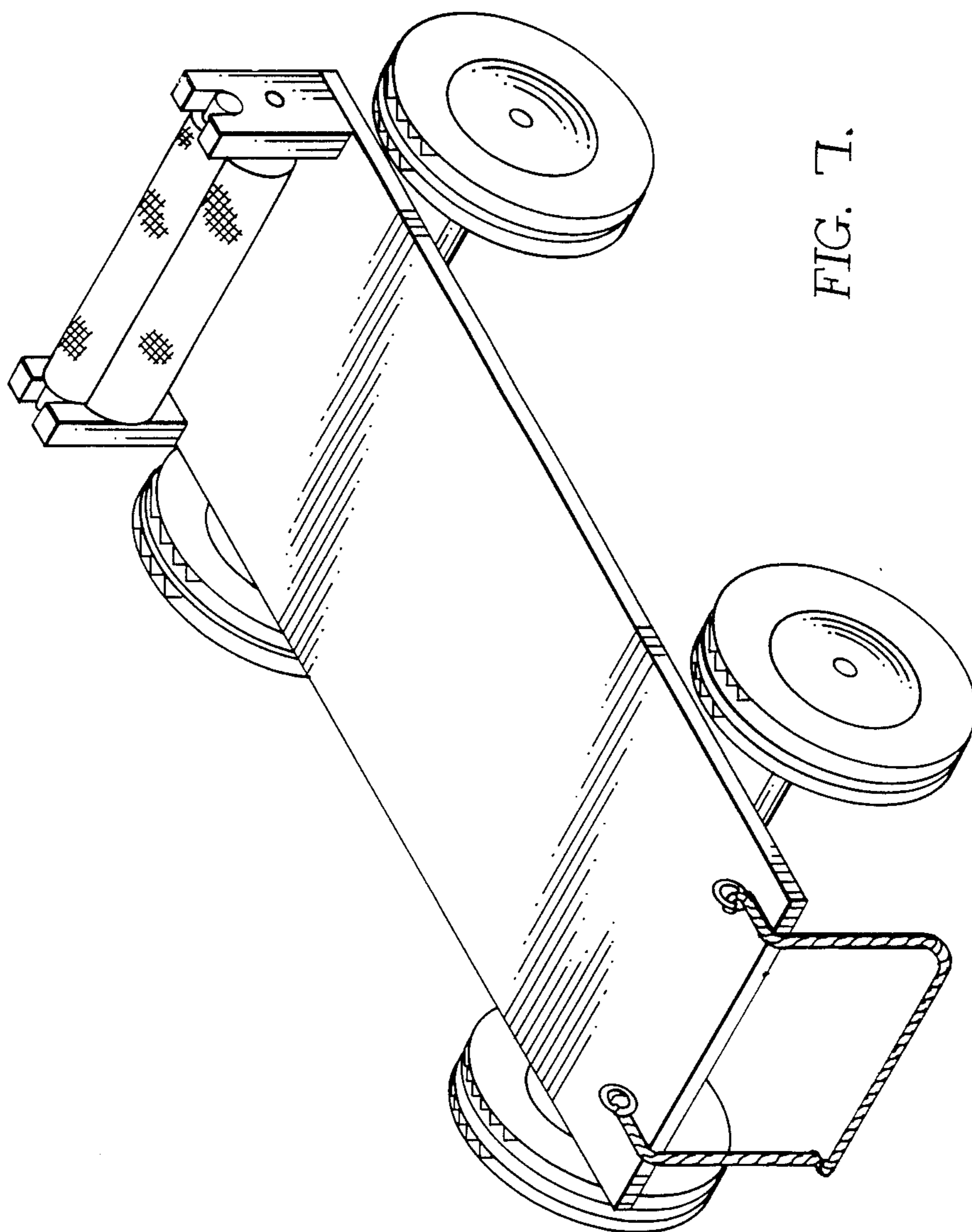


FIG. 7.